

US00D494066S1

(12) **United States Design Patent** (10) **Patent No.:** **US D494,066 S**
Liu (45) **Date of Patent:** **** Aug. 10, 2004**

(54) **TAG FOR A TOOL**

(76) **Inventor:** **Yung-Yuan Liu**, No.9, Lane 1397,
Guangsing Road, Taiping City, Taichung
County (TW)

(**) **Term:** **14 Years**

(21) **Appl. No.:** **29/187,223**

(22) **Filed:** **Jul. 30, 2003**

(51) **LOC (7) Cl.** **09-07**

(52) **U.S. Cl.** **D9/457; D9/415**

(58) **Field of Search** D9/457, 434, 414,
D9/415, 455, 337; 206/461-471, 806, 349,
379, 479, 430, 445, 495, 756, 763, 764,
765, 730, 733, 734; 211/69, 70.6

(56) **References Cited**

U.S. PATENT DOCUMENTS

D355,848 S	*	2/1995	Ivansons et al.	D9/415
D370,174 S	*	5/1996	Bergstedt	D9/415
D376,102 S	*	12/1996	Patapanian et al.	D9/415
5,713,467 A	*	2/1998	Kao	206/349
6,076,669 A	*	6/2000	Ling	206/349
6,378,700 B1	*	4/2002	Tong	206/376

* cited by examiner

Primary Examiner—Louis S. Zarfaz

Assistant Examiner—Gregory Andoll

(74) *Attorney, Agent, or Firm*—Rosenberg, Klein & Lee

(57) **CLAIM**

The ornamental design for a tag for a tool, as shown.

DESCRIPTION

FIG. 1 is a perspective view of tag for a tool showing my design;

FIG. 2 is a front elevation view thereof;

FIG. 3 is a rear elevation view thereof;

FIG. 4 is a left side elevation view thereof;

FIG. 5 is a right side elevation view thereof;

FIG. 6 is a top plan view thereof;

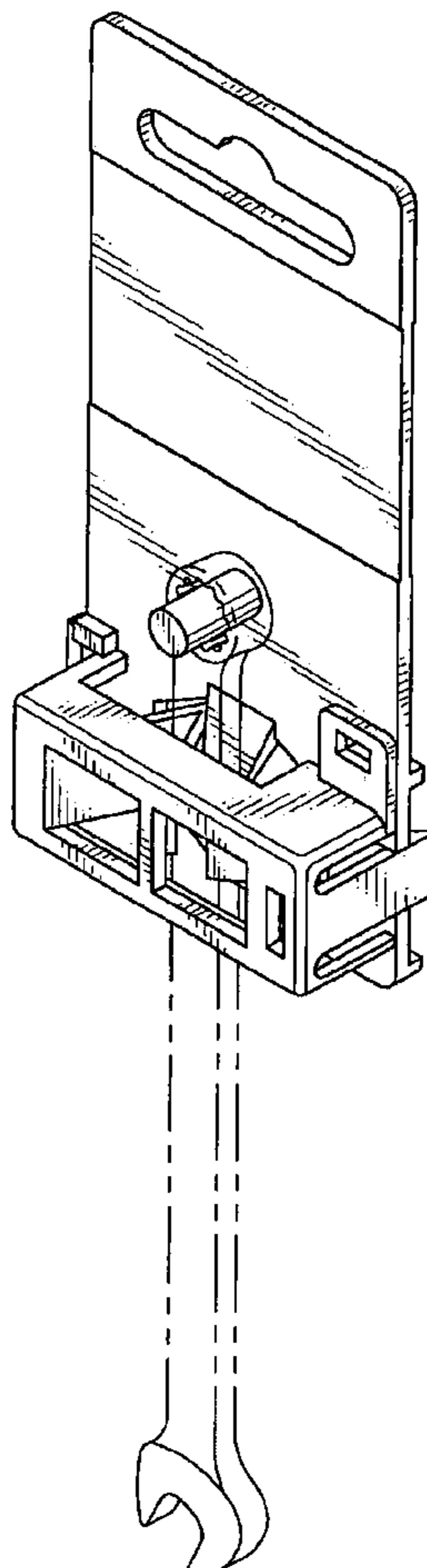
FIG. 7 is a bottom plan view thereof;

FIG. 8 is a perspective view of my design shown in an open position; and,

FIG. 9 is a perspective view of my design shown in use.

The broken line showing of a tool in FIG. 9 is for illustrative purposes only and forms no part of the claimed design.

1 Claim, 6 Drawing Sheets



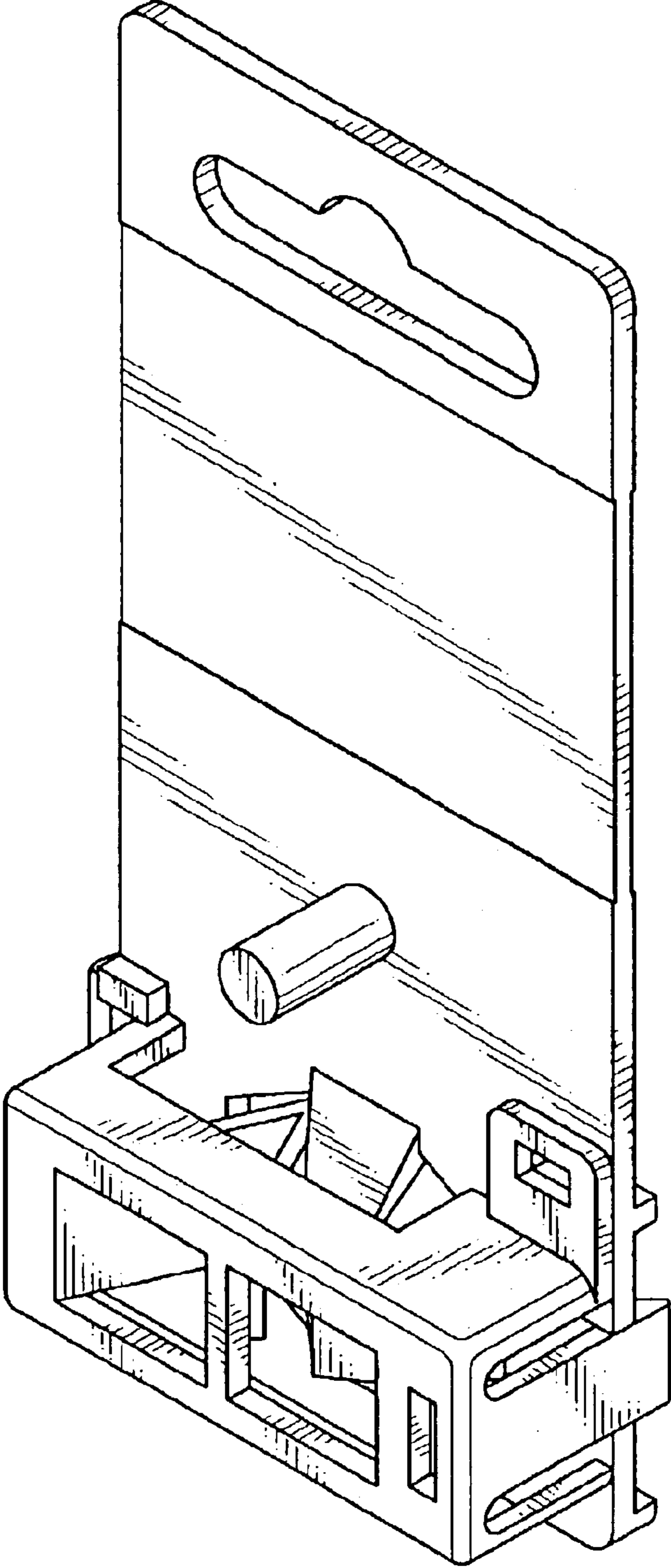


FIG. 1

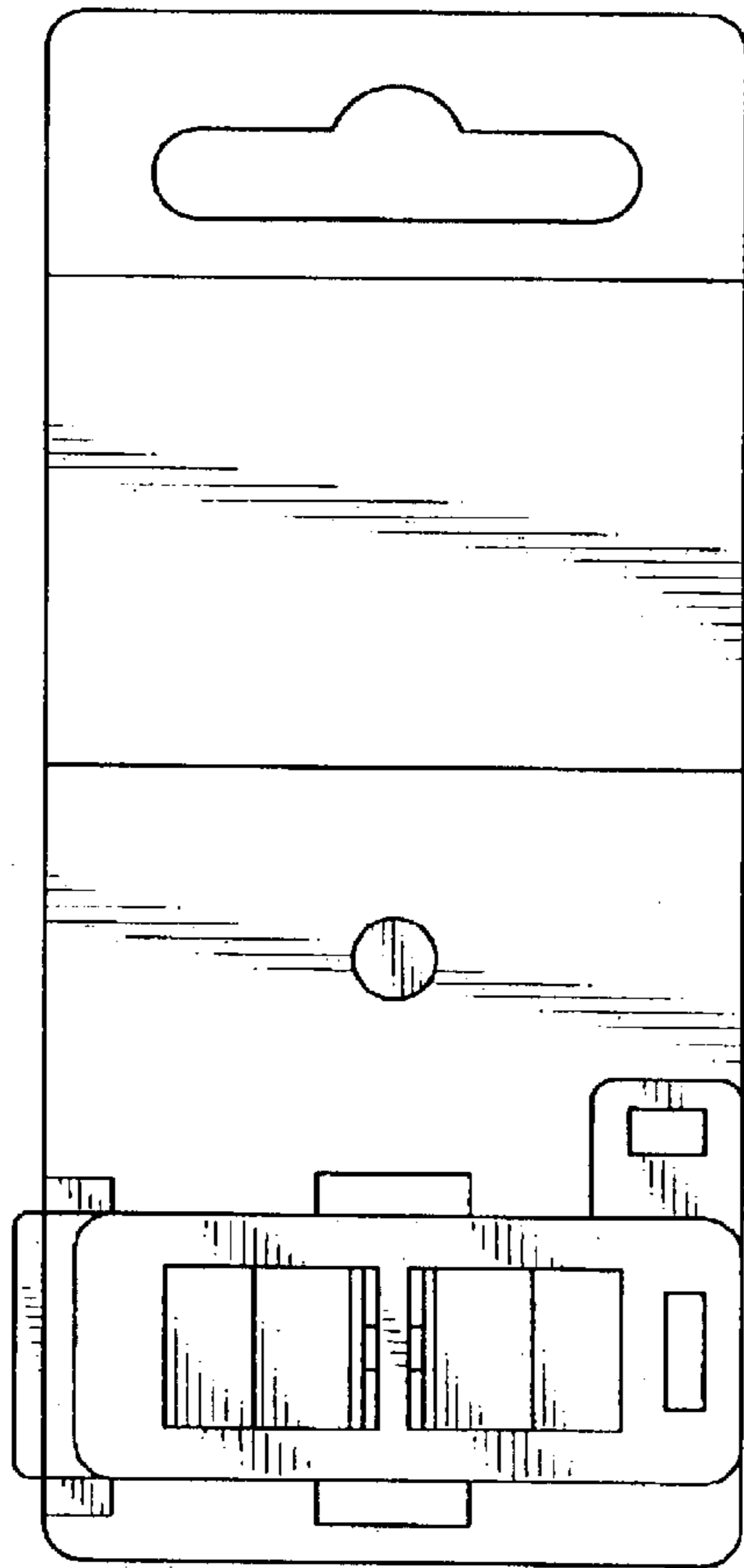


FIG. 2

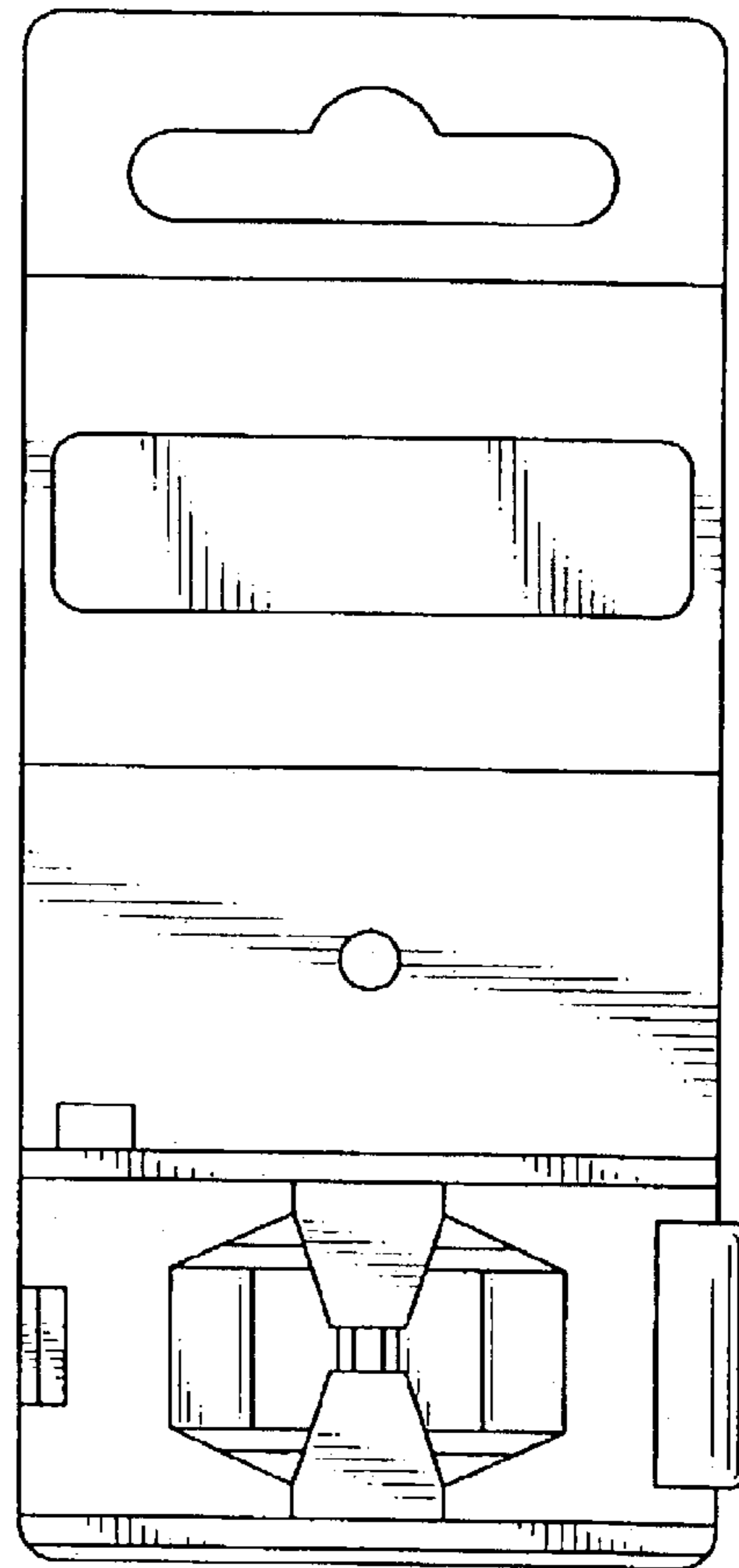


FIG. 3

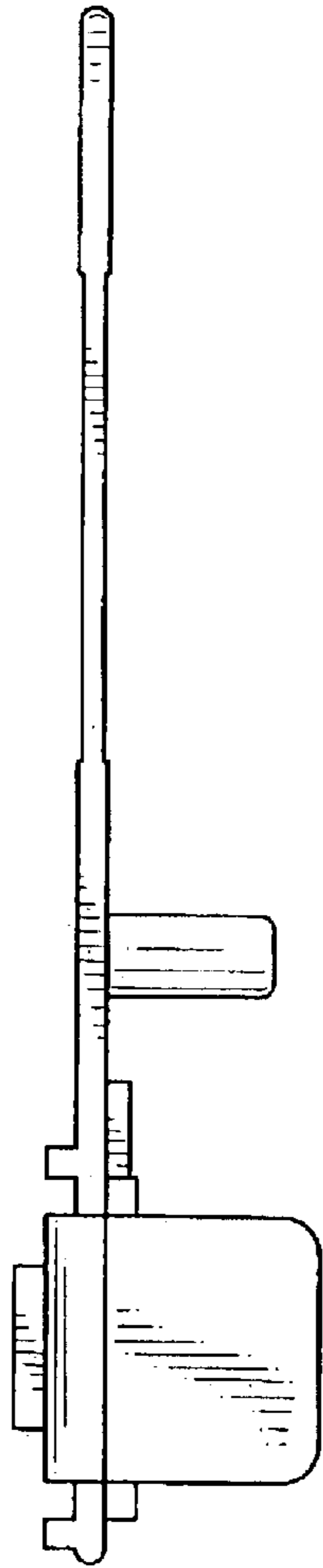


FIG. 4

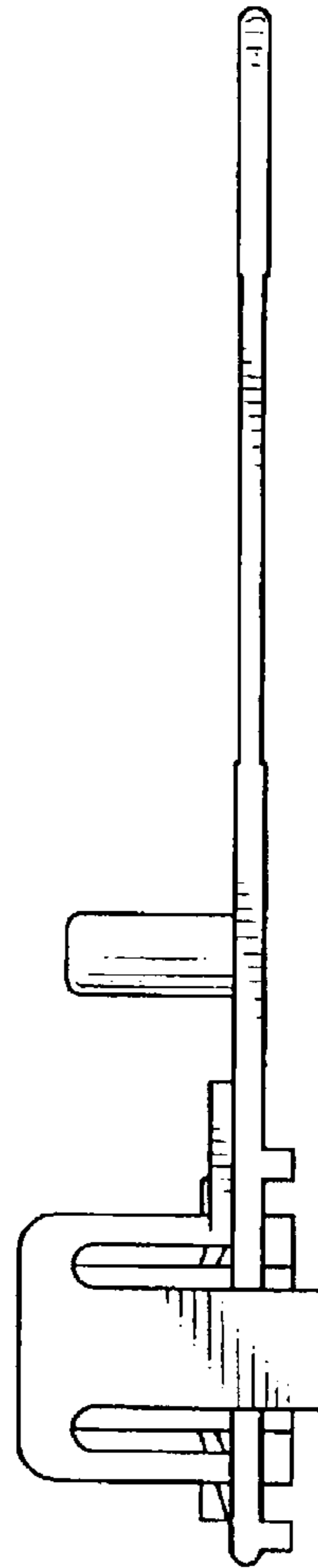


FIG. 5

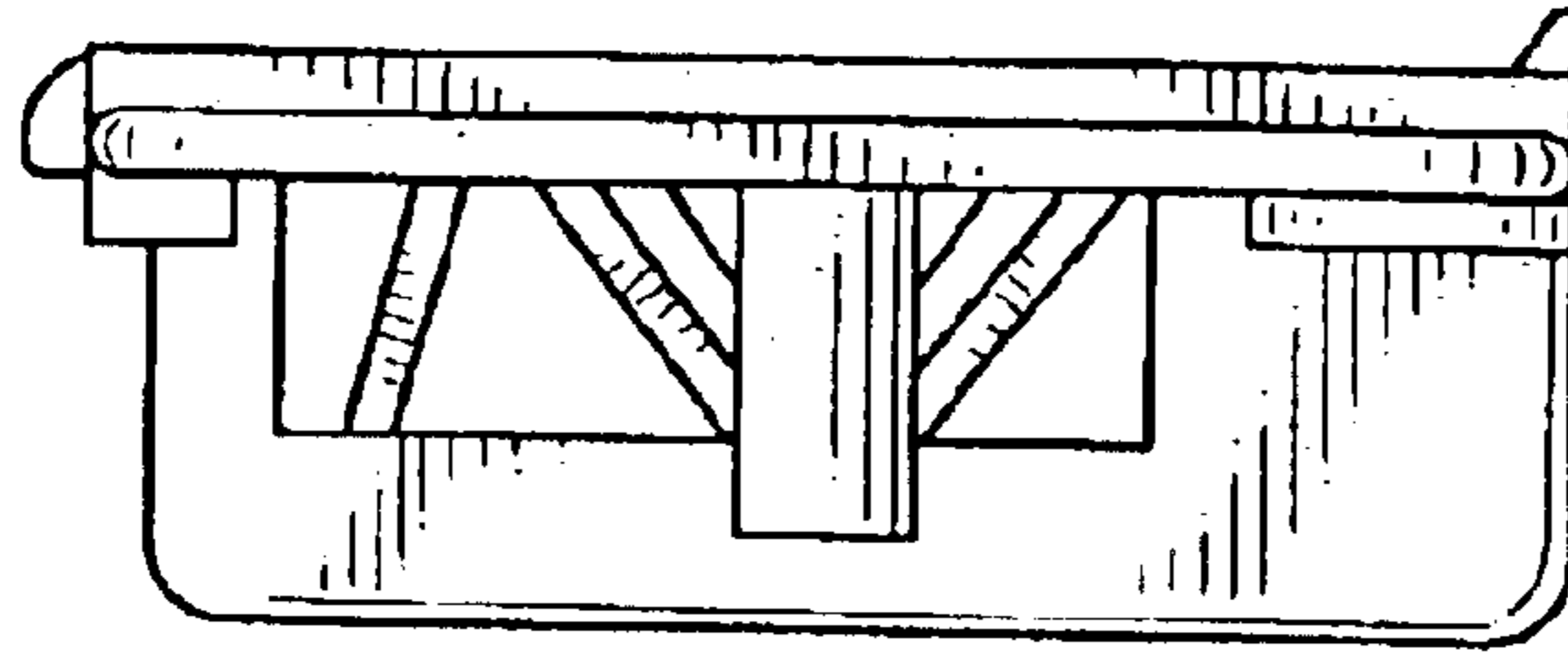


FIG. 6

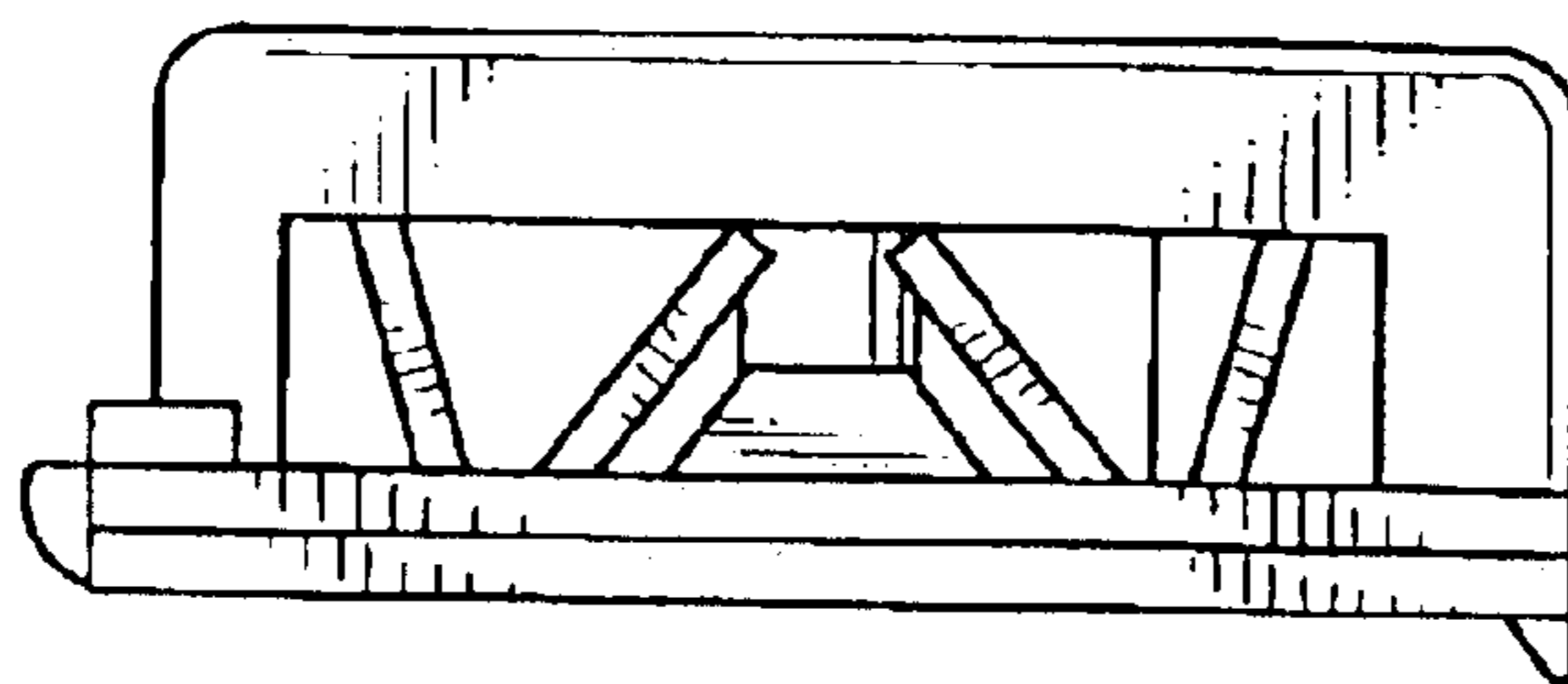


FIG. 7

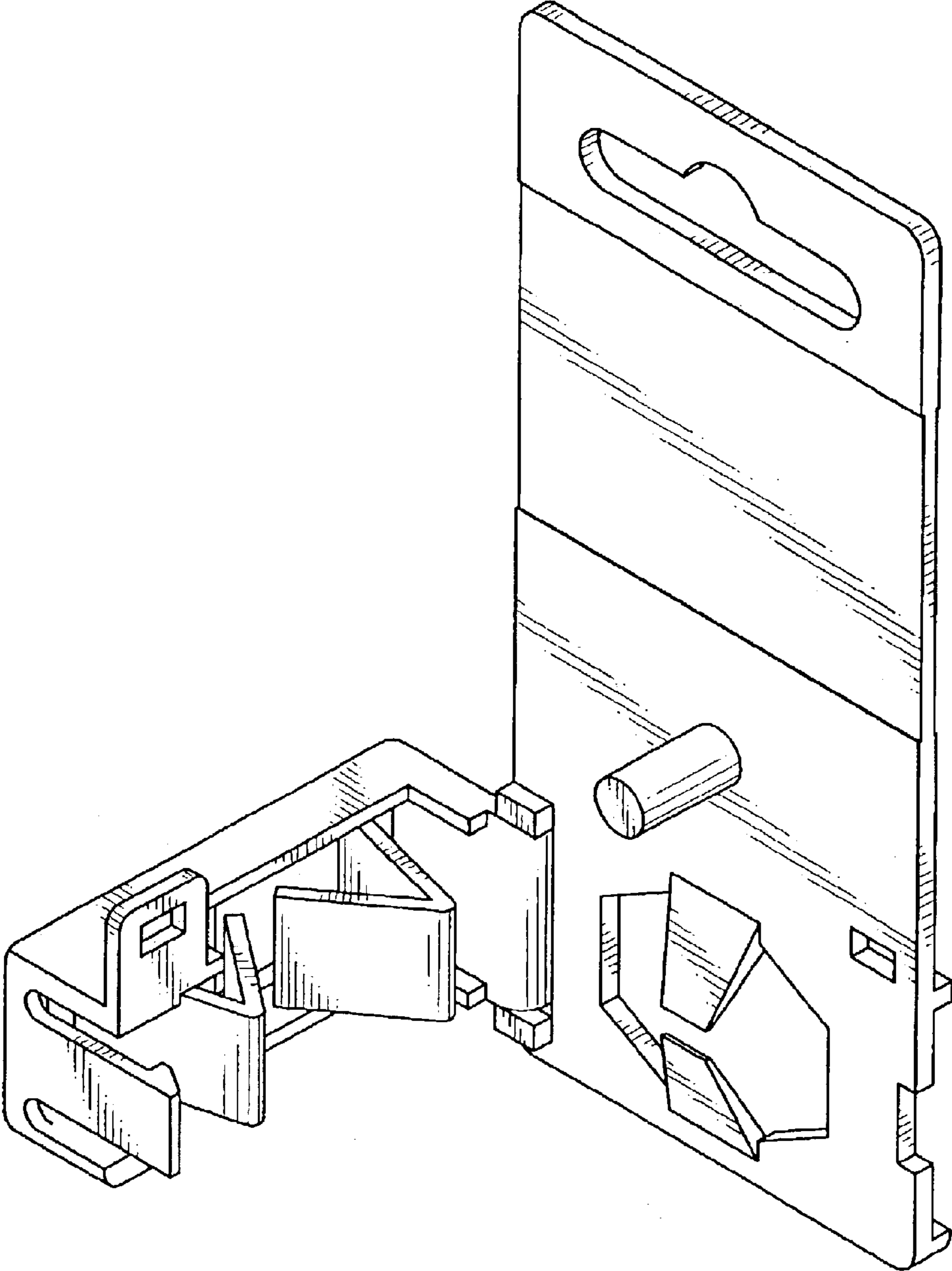


FIG. 8

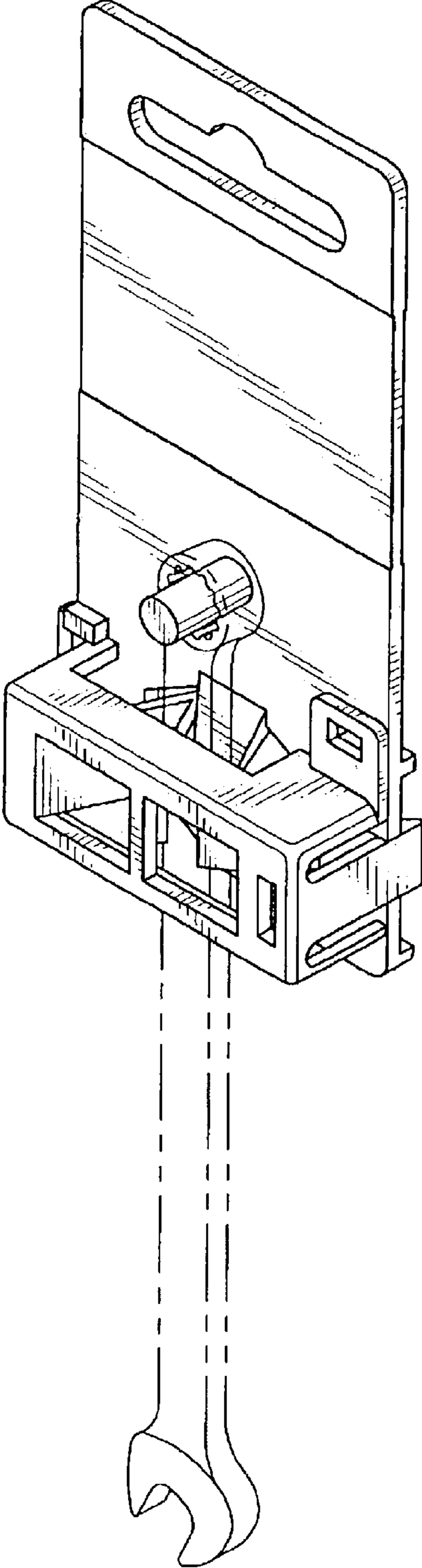


FIG. 9