

US00D494063S1

(12) **United States Design Patent**
Cauldwell et al.

(10) **Patent No.: US D494,063 S**

(45) **Date of Patent: ** Aug. 10, 2004**

(54) **STAPLE PACKAGING**

(75) Inventors: **Nathan S. Cauldwell**, Mansfield, MA (US); **Paul Florenzano**, Hingham, MA (US); **Steven M. Bowman**, Sherborn, MA (US); **Andy Rubino**, Westport, MA (US)

(73) Assignee: **Ethicon, Inc.**, Somerville, NJ (US)

(**) Term: **14 Years**

(21) Appl. No.: **29/180,613**

(22) Filed: **Apr. 28, 2003**

(51) **LOC (7) Cl.** **09-03**

(52) **U.S. Cl.** **D9/430; D9/347; D9/432**

(58) **Field of Search** D9/430, 337, 341, D9/345, 347, 348, 432, 499; 206/338, 340-341, 345-347, 349, 527, 557

(56) **References Cited**

U.S. PATENT DOCUMENTS

- 2,599,011 A * 6/1952 Phipard, Jr. 206/338
- 3,713,533 A * 1/1973 Reimels 206/339
- 3,771,223 A * 11/1973 Dawidowicz et al. 30/40

- D389,639 S * 1/1998 Priebe D3/203
- 5,733,293 A * 3/1998 Scirica et al. 606/144
- 5,794,796 A * 8/1998 Weisburn 211/40
- D409,906 S * 5/1999 Hu D9/415
- 6,044,971 A * 4/2000 Esposito et al. 206/339

* cited by examiner

Primary Examiner—Prabhakar Deshmukh

Assistant Examiner—Daniel Bui

(57) **CLAIM**

The ornamental design of a staple packaging, as shown and described.

DESCRIPTION

FIG. 1 is a perspective view of a staple packaging as seen from the top, front and left sides.

FIG. 2 is a left side elevation view thereof.

FIG. 3 is a top plan view thereof.

FIG. 4 is a front elevation view thereof, the rear elevational view being a mirror image.

FIG. 5 is a bottom plan view thereof; and,

FIG. 6 is a perspective view similar to FIG. 1 wherein the broken line disclosure is for environmental purposes only and does not constitute a part of the claimed design.

1 Claim, 3 Drawing Sheets

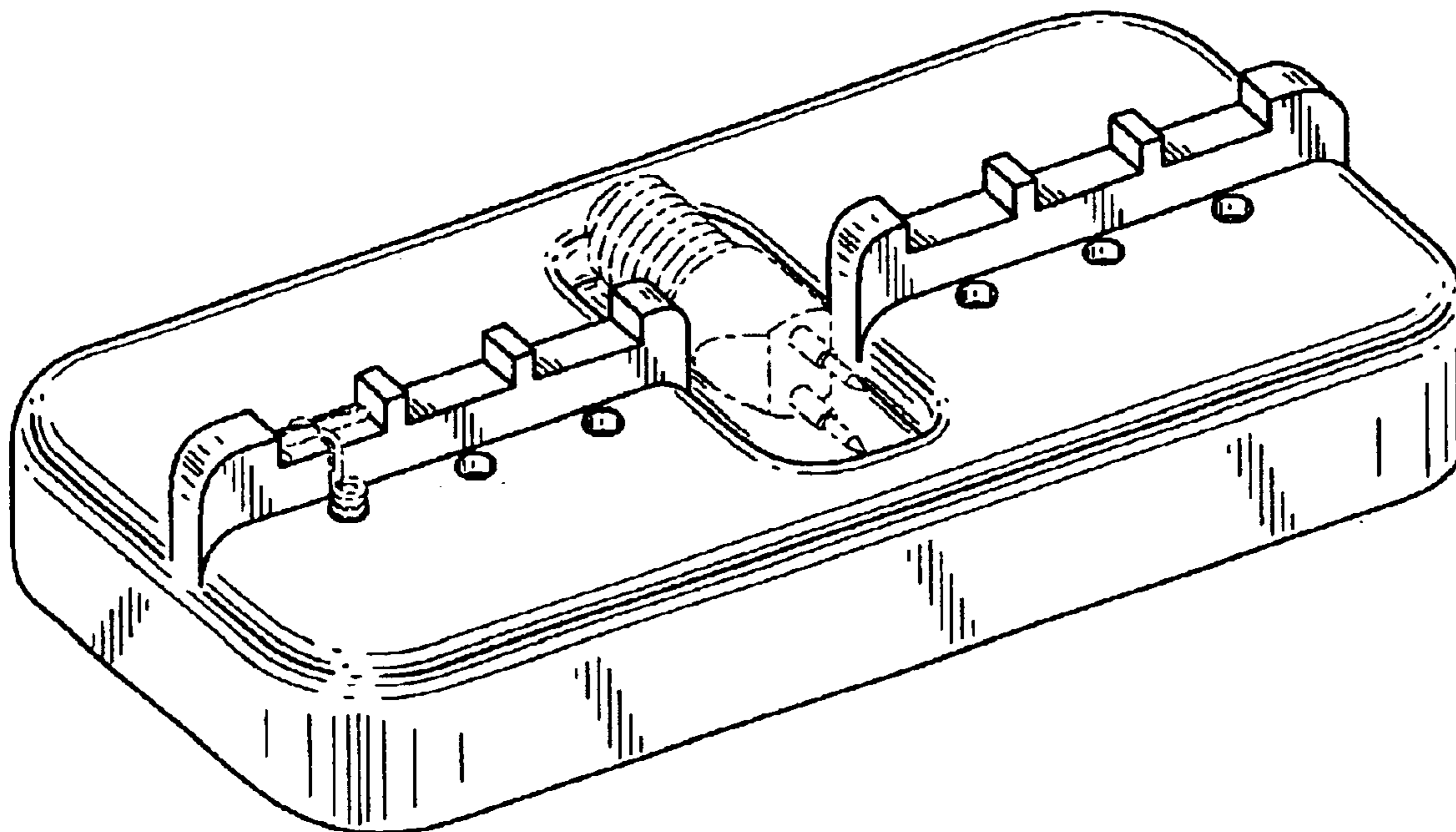


FIG. 1

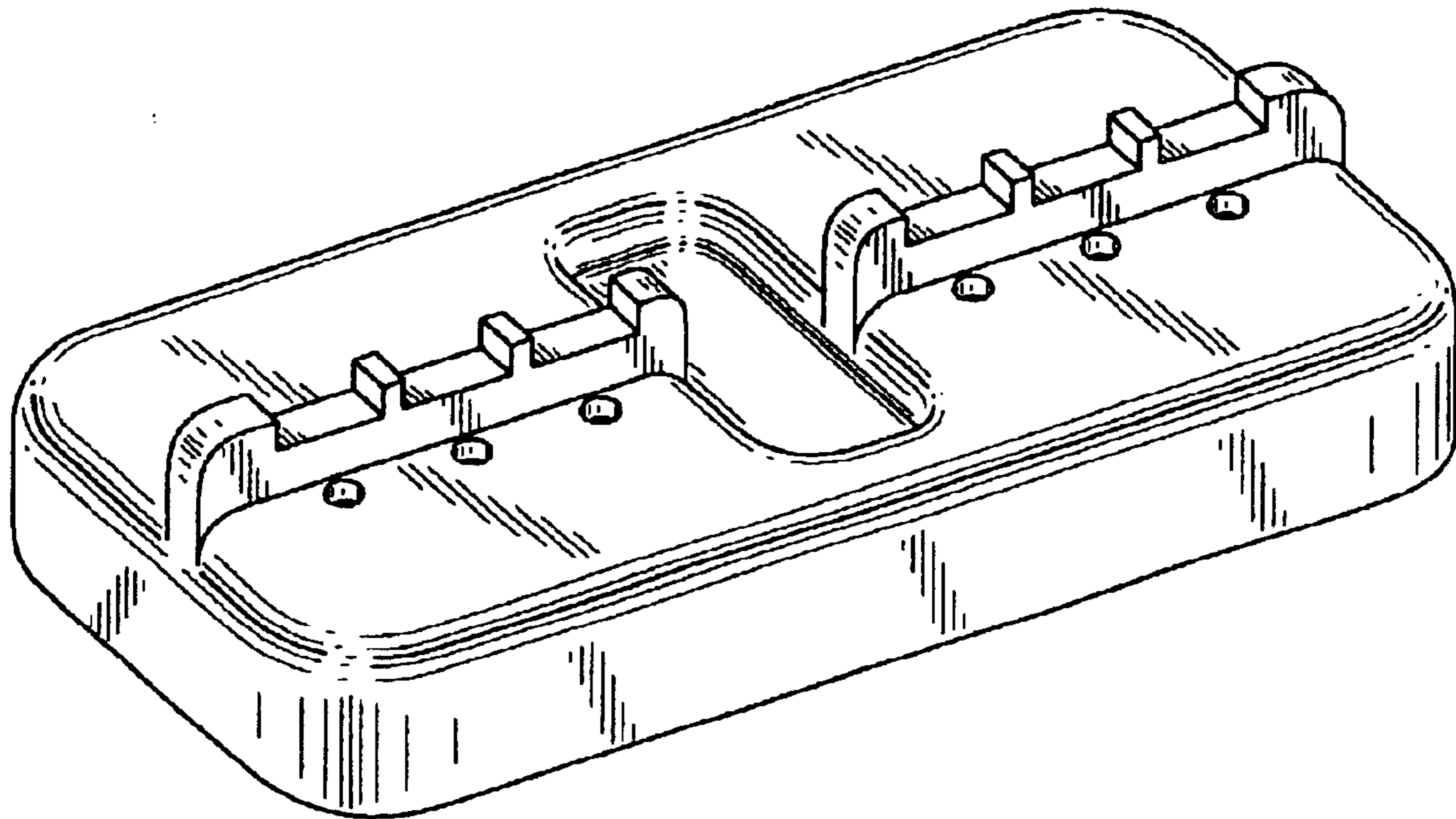


FIG. 2

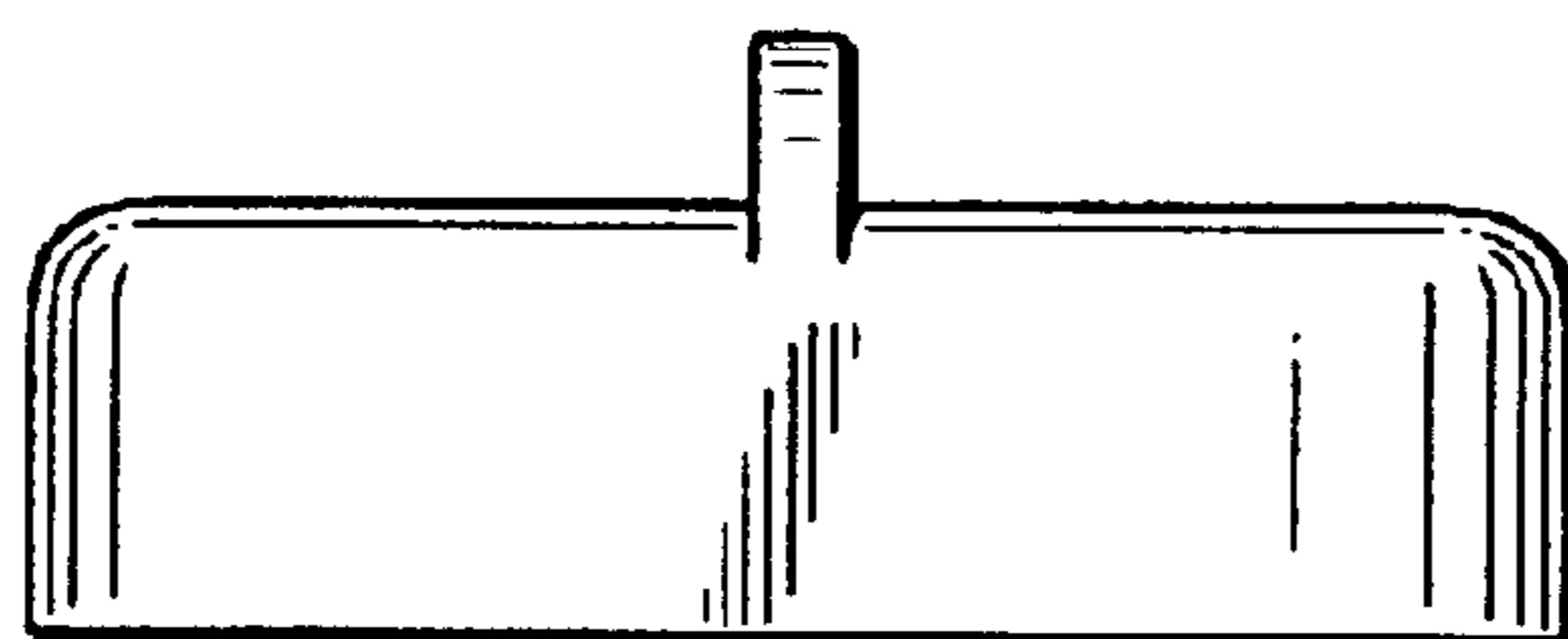


FIG. 3

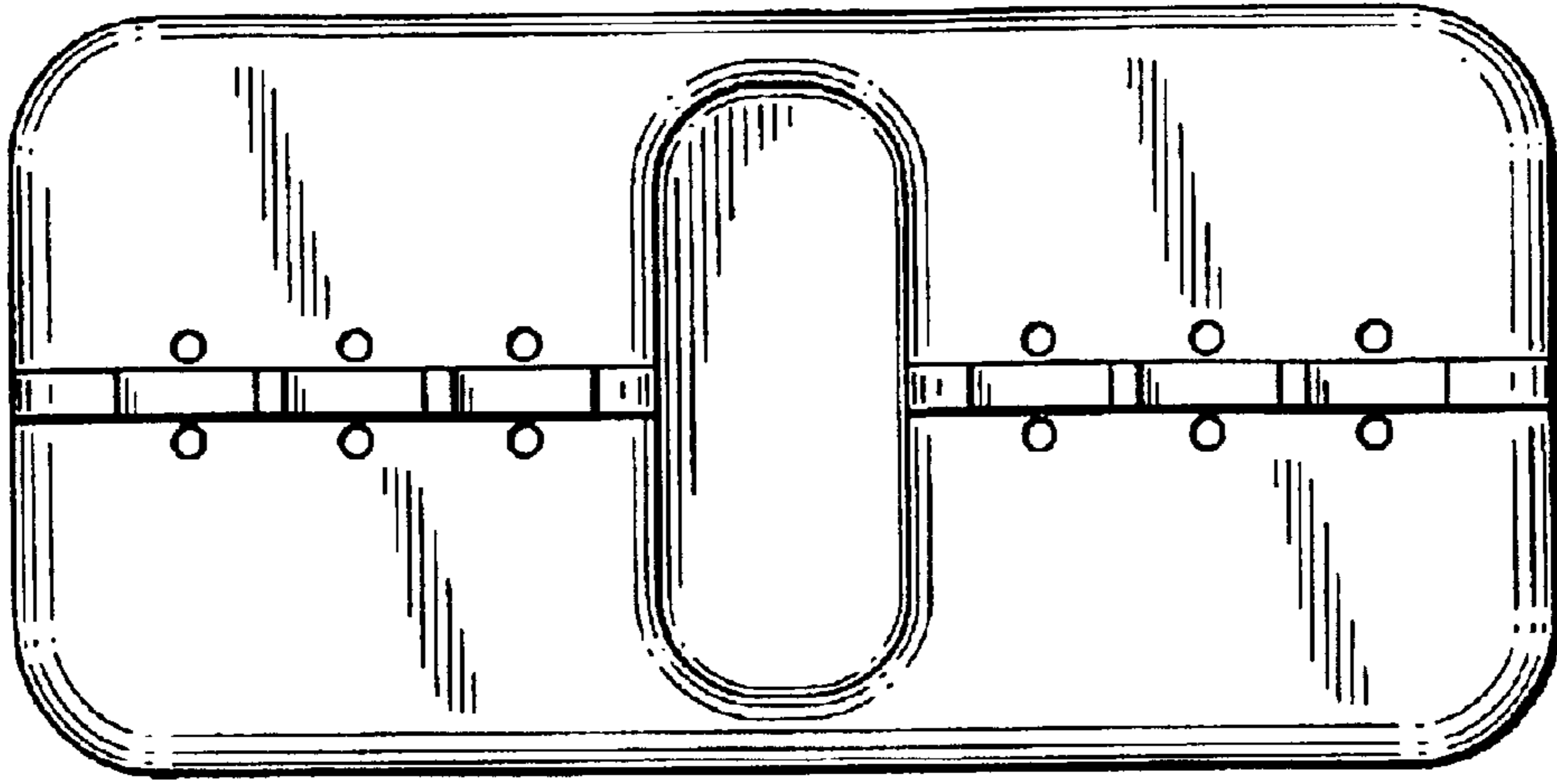


FIG. 4

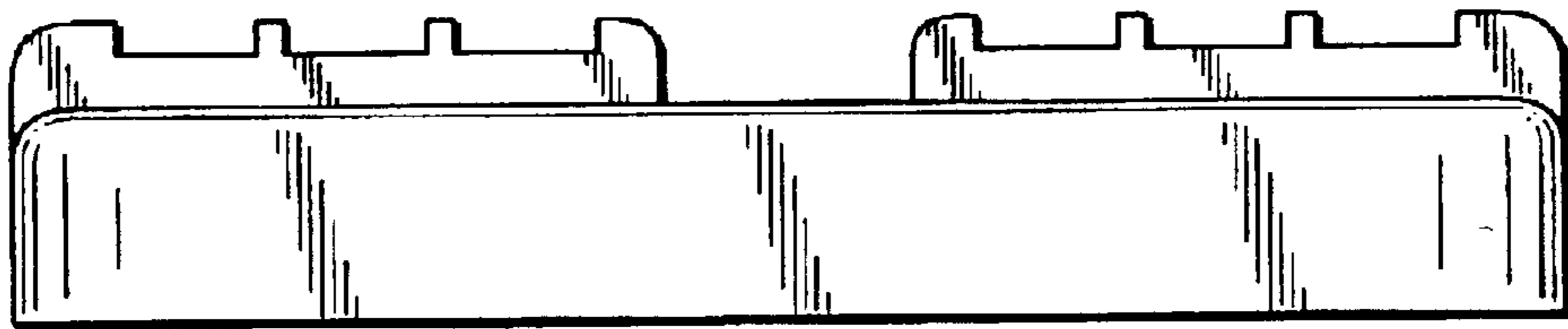


FIG. 5

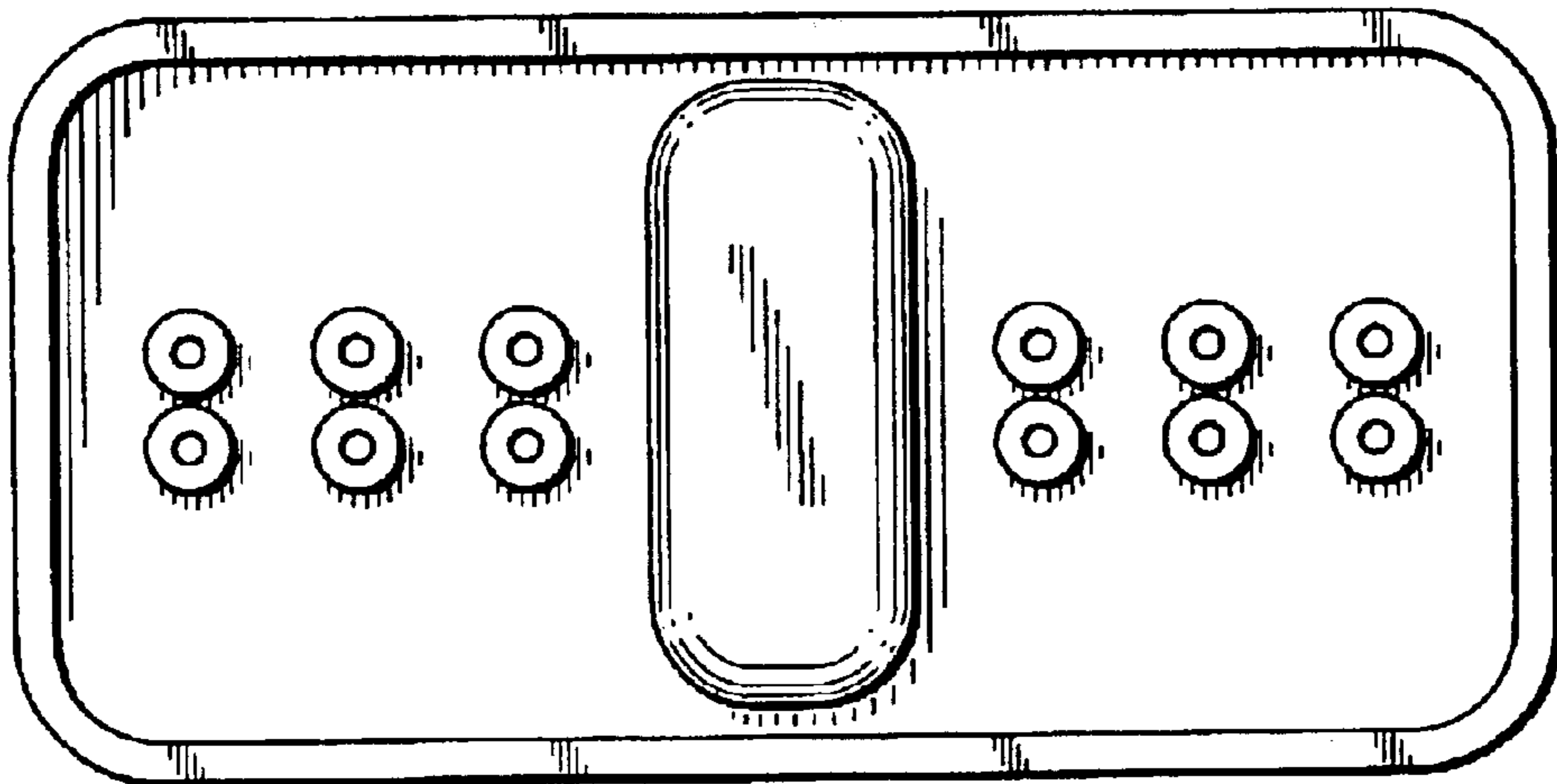


FIG. 6

