



US00D494057S1

(12) **United States Design Patent** (10) **Patent No.:** **US D494,057 S**
Hightower (45) **Date of Patent:** **** Aug. 10, 2004**

(54) **CORNER AND/OR EDGE PROTECTOR**

(75) Inventor: **Robert C. Hightower**, High Point, NC (US)

(73) Assignee: **Tenn-Tex Plastics, Inc.**, Colfax, NC (US)

(**) Term: **14 Years**

(21) Appl. No.: **29/179,775**

(22) Filed: **Apr. 15, 2003**

(51) **LOC (7) Cl.** **08-99**

(52) **U.S. Cl.** **D8/403**

(58) **Field of Search** D8/400, 499; 52/24, 52/26; D25/199

(56) **References Cited**

U.S. PATENT DOCUMENTS

5,033,669	A	7/1991	Federico	229/199
5,037,027	A	8/1991	Nichols	229/199
5,471,799	A	* 12/1995	Smeja et al.	52/24
5,664,374	A	* 9/1997	Lee	52/24
D418,403	S	* 1/2000	Cline	D8/499
6,368,694	B1	4/2002	Marsh et al.	428/99
D457,423	S	* 5/2002	Mullane	D8/499
D482,604	S	* 11/2003	Smeja et al.	D8/499

* cited by examiner

Primary Examiner—Brian N Vinson

(74) *Attorney, Agent, or Firm*—Myers Bigel Sibley & Sajovec PA

(57) **CLAIM**

The ornamental design for a corner and/or edge protector, as shown and described. As shown, the corner and/or edge protector may be particularly suitable for use with obtuse angle structures.

DESCRIPTION

FIG. 1 is a front perspective view of the corner and/or edge protector showing my design in an exemplary environment on a furniture edge having about 135-degree angle;

FIG. 2 is a front view of the device shown in an uninstalled configuration;

FIG. 3 is a top view thereof;

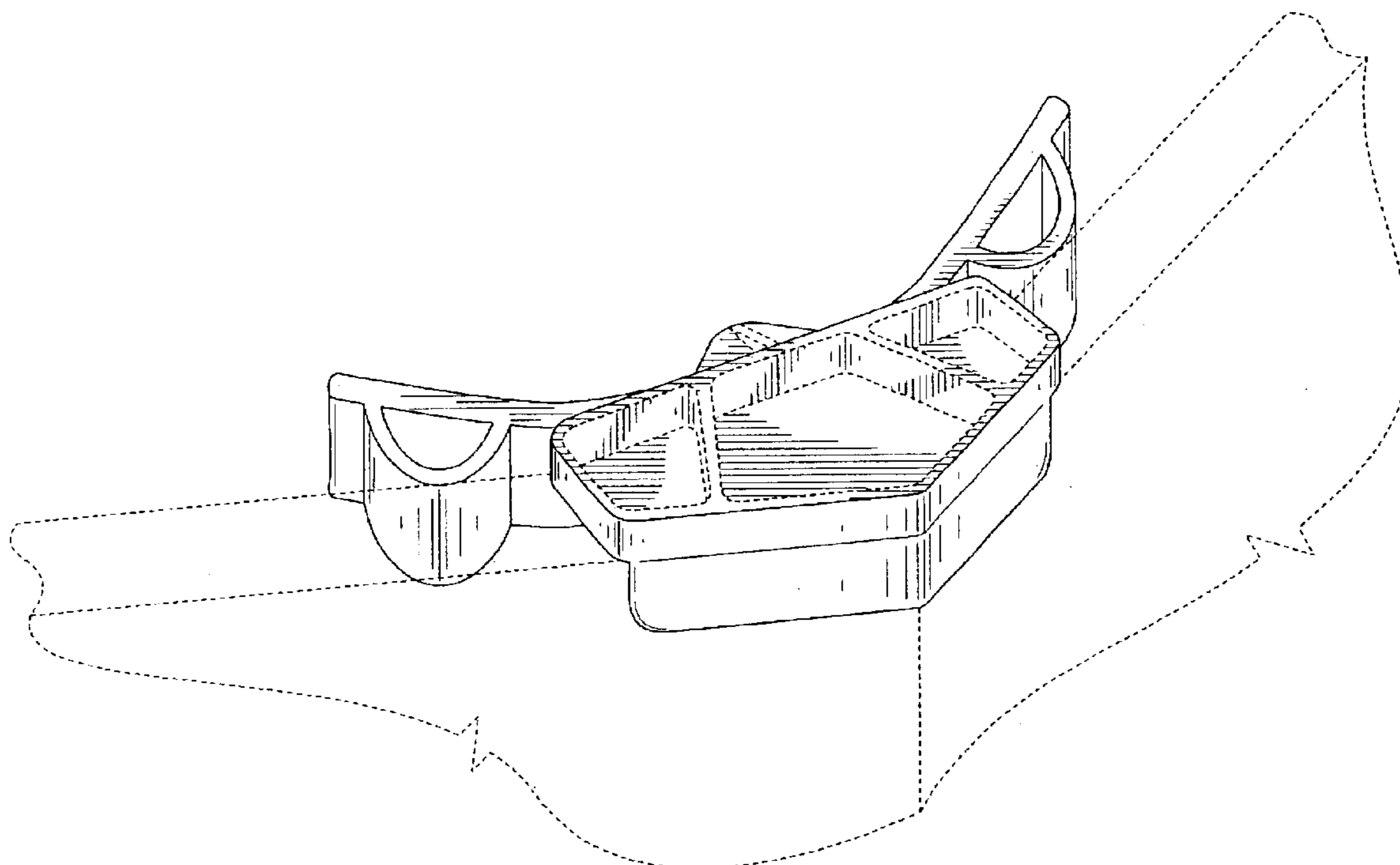
FIG. 4 is a top view of the device installed on the exemplary furniture edge shown in FIG. 1; and,

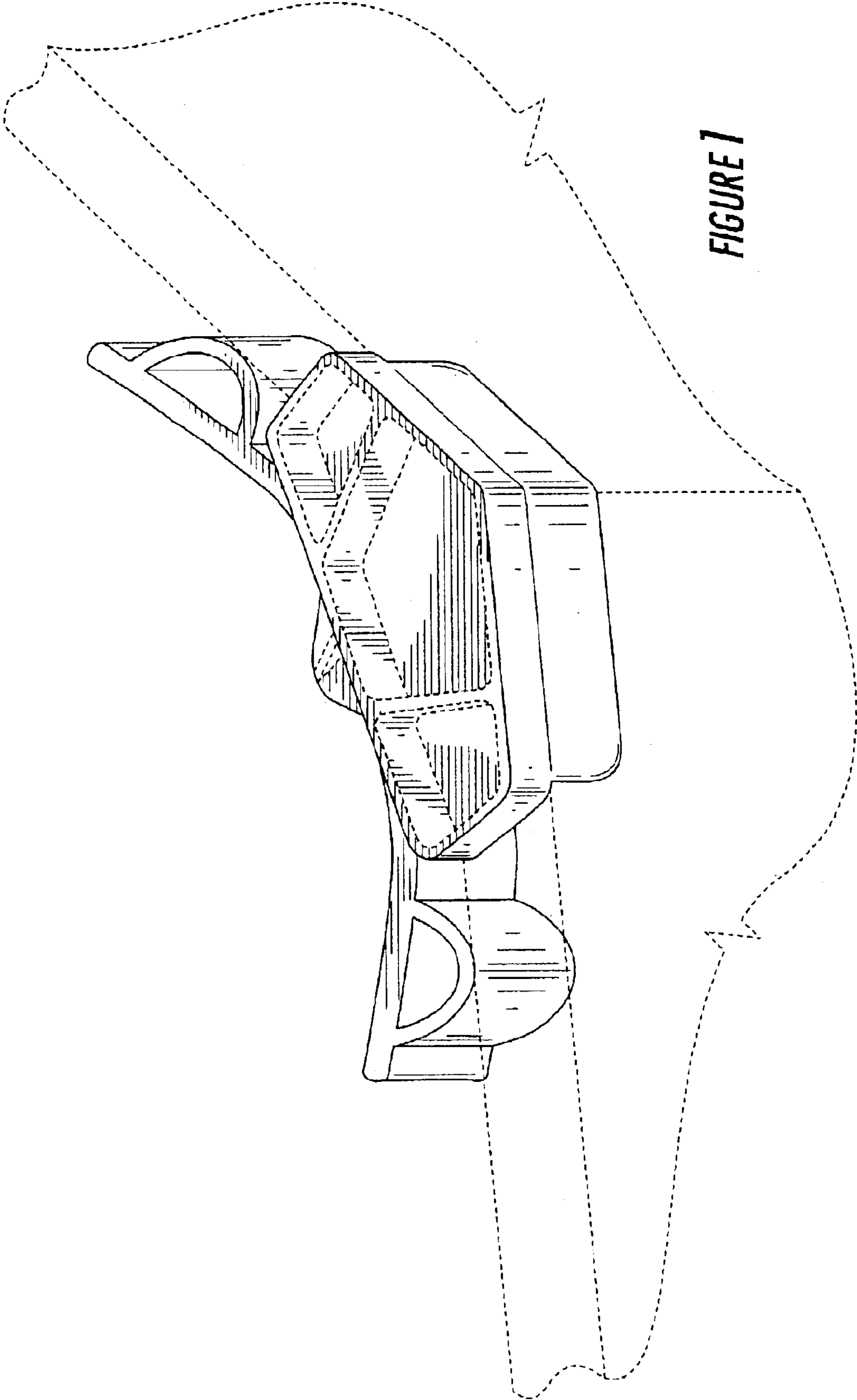
FIG. 5 is a bottom view of the device in the uninstalled configuration shown in FIG. 2.

The rear view of the device is disclaimed.

The broken lines shown herein are for illustrative purposes only and form no part of the claimed design. The illustrated device is not limited to the scale shown.

1 Claim, 5 Drawing Sheets





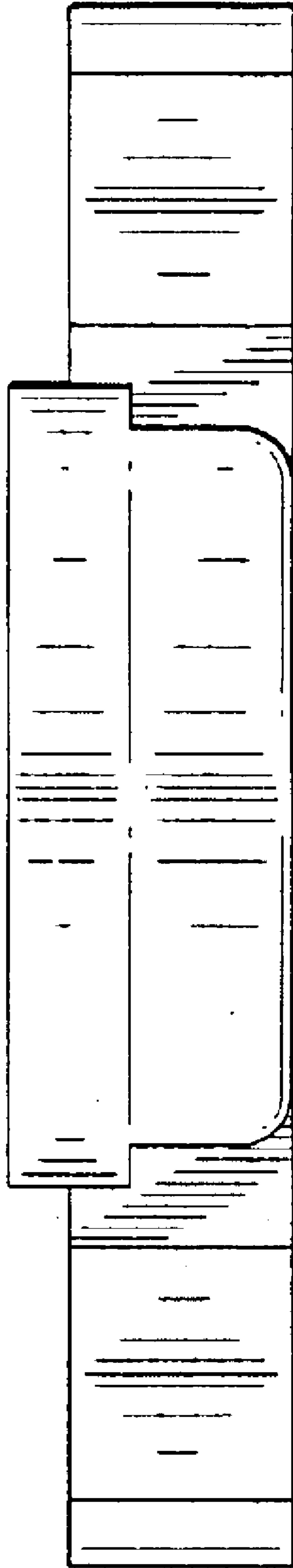


FIGURE 2

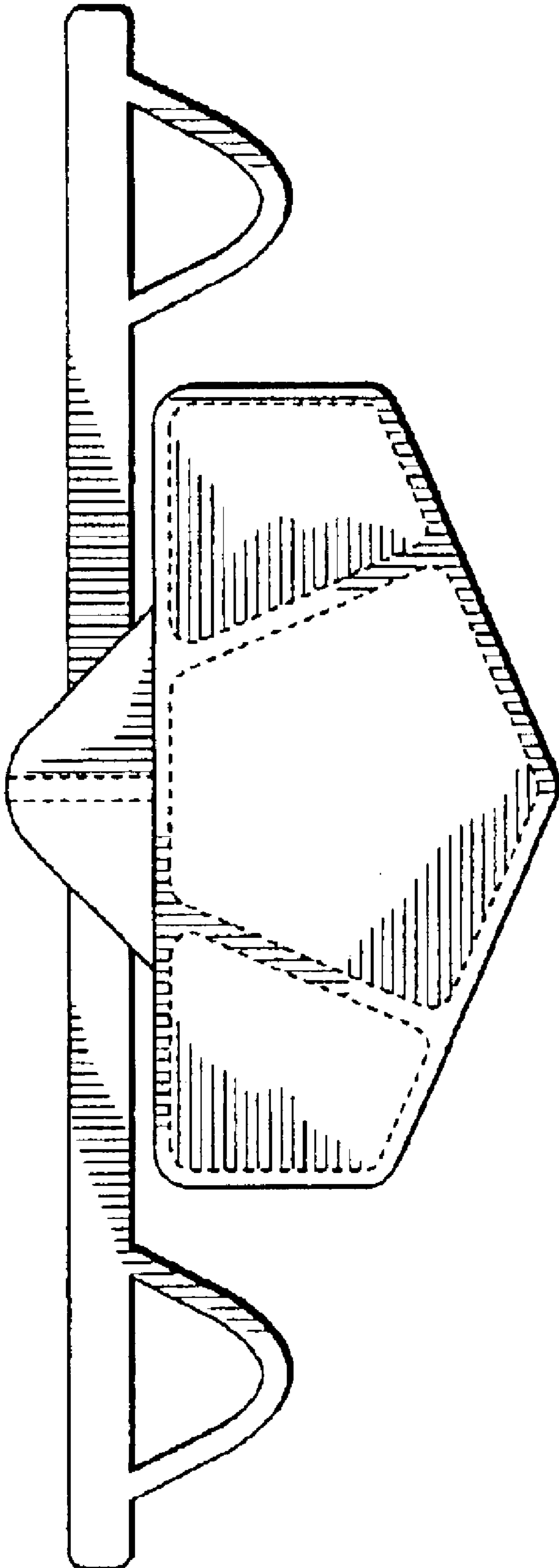


FIGURE 3

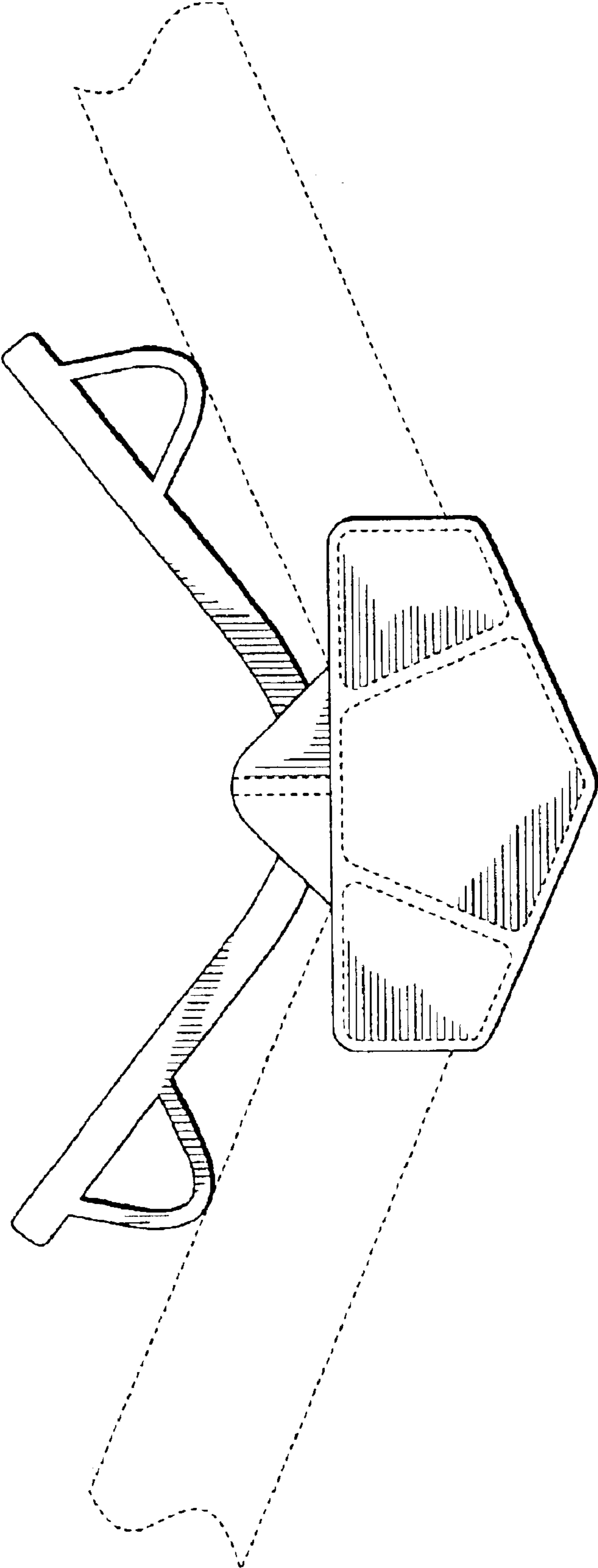


FIGURE 4

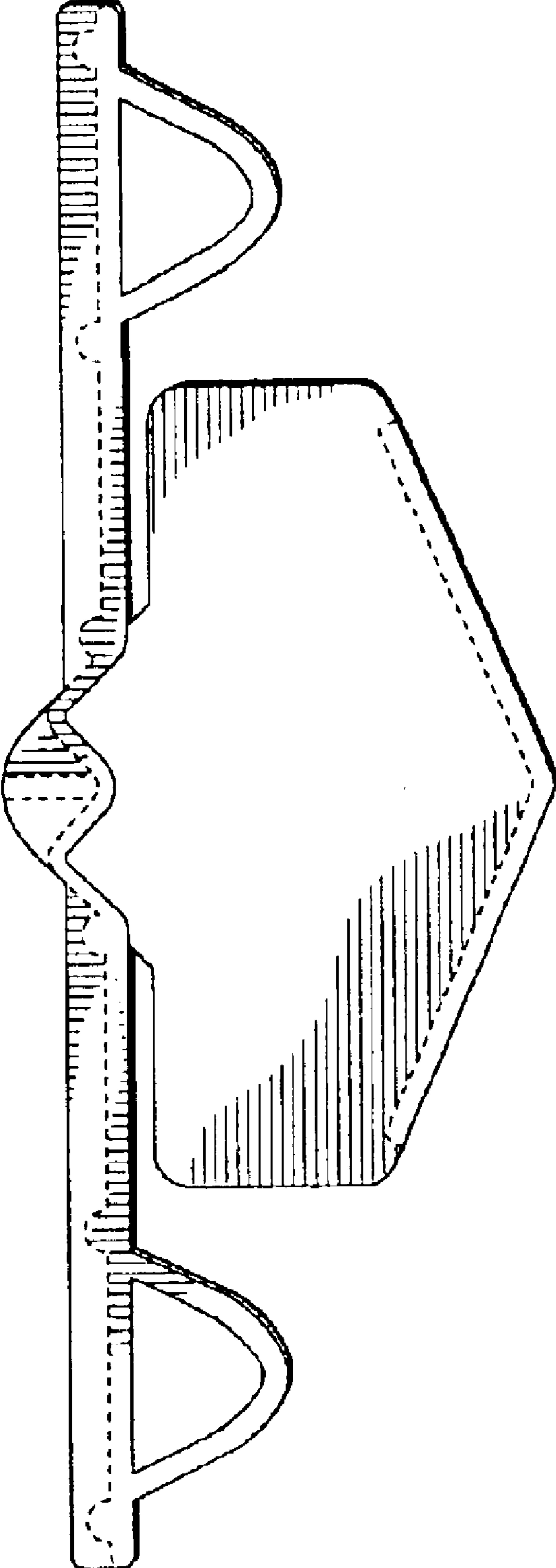


FIGURE 5