



US00D494056S1

(12) **United States Design Patent**
Clendenning

(10) **Patent No.:** **US D494,056 S**

(45) **Date of Patent:** **** Aug. 10, 2004**

(54) **ELASTOMERIC RETENTION APPARATUS**

(75) **Inventor:** **Charles Clendenning**, Broken Arrow, OK (US)

(73) **Assignee:** **H&L Tooth Co.**, Tulsa, OK (US)

(**) **Term:** **14 Years**

(21) **Appl. No.:** **29/157,788**

(22) **Filed:** **Mar. 26, 2002**

(51) **LOC (7) Cl.** **08-08**

(52) **U.S. Cl.** **D8/399; D15/29**

(58) **Field of Search** D8/382, 397, 399; 411/81, 98, 103, 106, 145, 146, 172, 179, 197, 204, 248, 337, 338, 368, 371.2, 372.5, 418, 427, 429, 430, 431, 432, 436, 437, 500, 511, 512, 514, 531, 532, 533, 535, 536, 537, 538, 542, 544, 918, 928; 70/229; 301/35.623, 111.01; 37/457; D15/28, 29

(56) **References Cited**

U.S. PATENT DOCUMENTS

2,712,262 A	*	7/1955	Knohl	411/918
2,770,277 A	*	11/1956	Poupitch	D8/399
2,922,669 A	*	1/1960	Hansen	411/544
3,003,379 A	*	10/1961	Pribitzer	411/427
3,288,191 A	*	11/1966	Thorborg	D8/399
3,342,235 A	*	9/1967	Pylypyshyn	411/533

D217,540 S	*	5/1970	Weise	D8/397
3,679,266 A	*	7/1972	Jenkins	411/337
D243,063 S	*	1/1977	Mooney	D8/397
4,439,907 A	*	4/1984	Block et al.	411/179
D281,953 S	*	12/1985	Newman	D8/397
D282,818 S	*	3/1986	Bos	D8/399
4,848,013 A		7/1989	Bowman et al.	37/142 A
4,918,843 A		4/1990	Kiesewetter et al.	37/142 A
5,007,685 A		4/1991	Beach et al.	299/91
5,337,495 A		8/1994	Pippins	37/453
5,435,084 A		7/1995	Immel	37/398
5,765,301 A		6/1998	Clendenning	37/457

* cited by examiner

Primary Examiner—Doris V. Coles

Assistant Examiner—T. Chase Nelson

(74) *Attorney, Agent, or Firm*—John W. Harbst

(57) **CLAIM**

The ornamental design for an elastomeric retention apparatus, as shown and described.

DESCRIPTION

FIG. 1 is a front, left side perspective view of an elastomeric retention apparatus showing my new design; FIG. 2 is a top plan view thereof; FIG. 3 is a side elevational view thereof; FIG. 4 is a bottom plan view thereof; and, FIG. 5 is a sectional view taken along line 5—5 of FIG. 2.

1 Claim, 1 Drawing Sheet

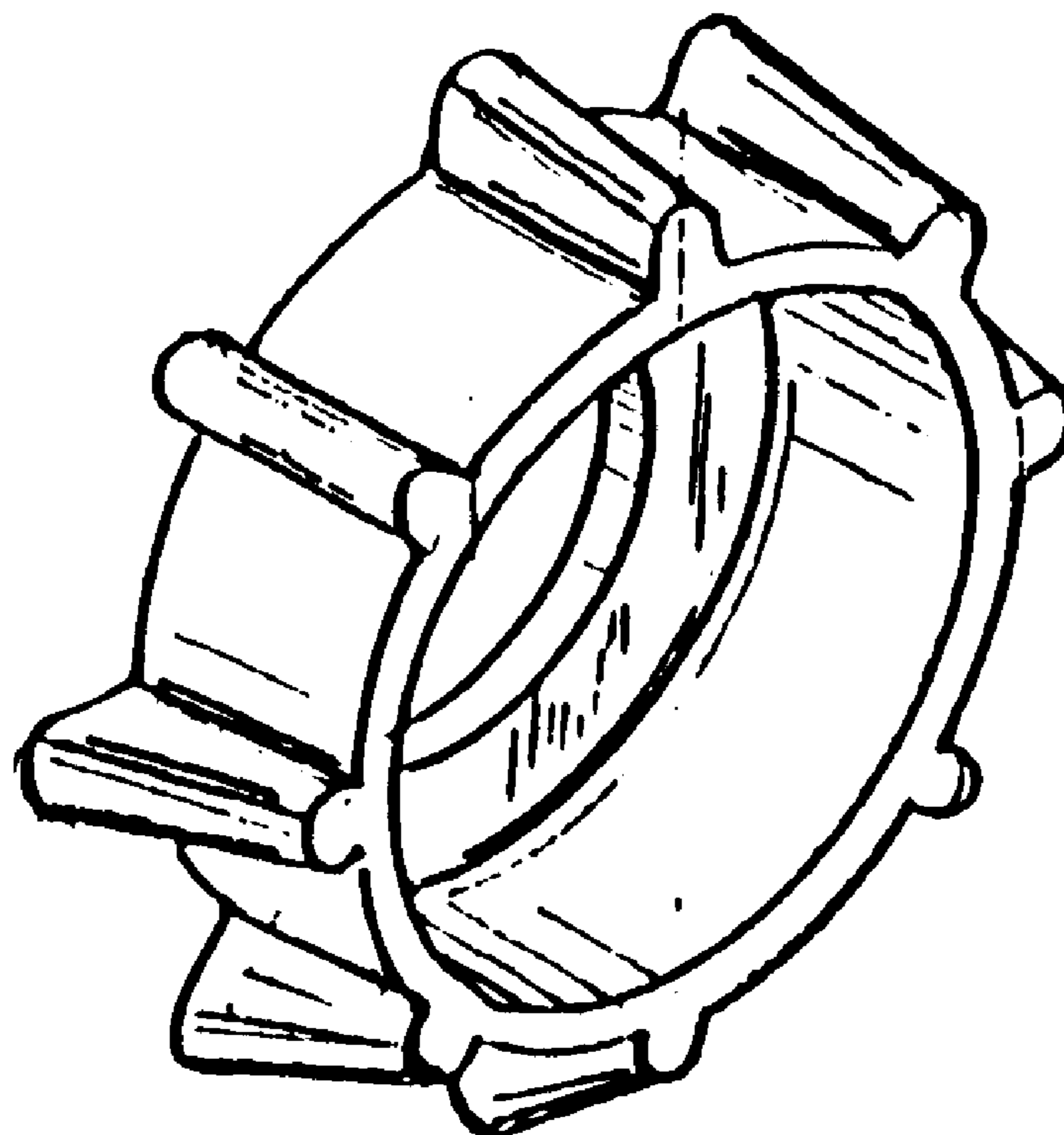


FIG - 2 -

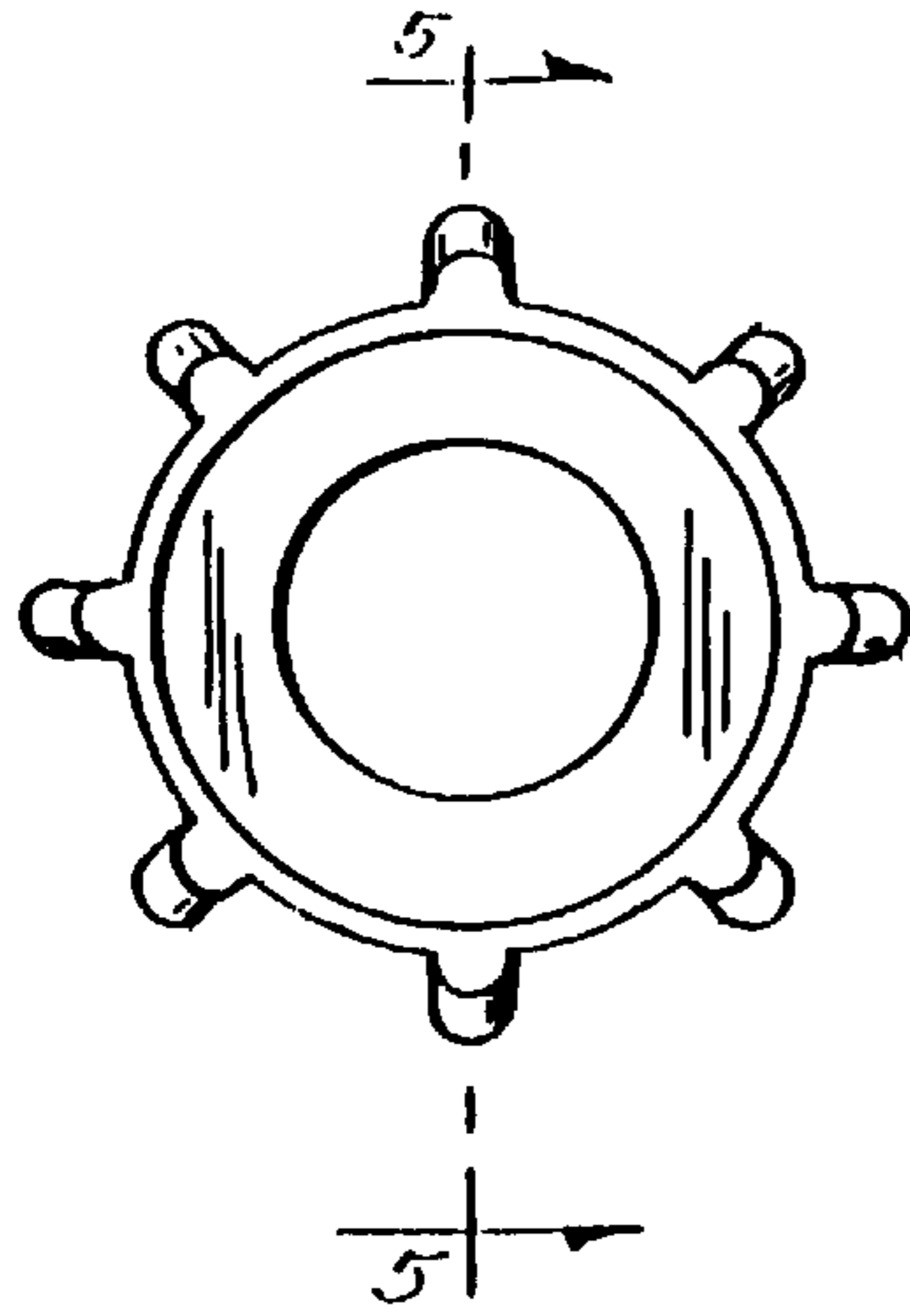


FIG - 1 -

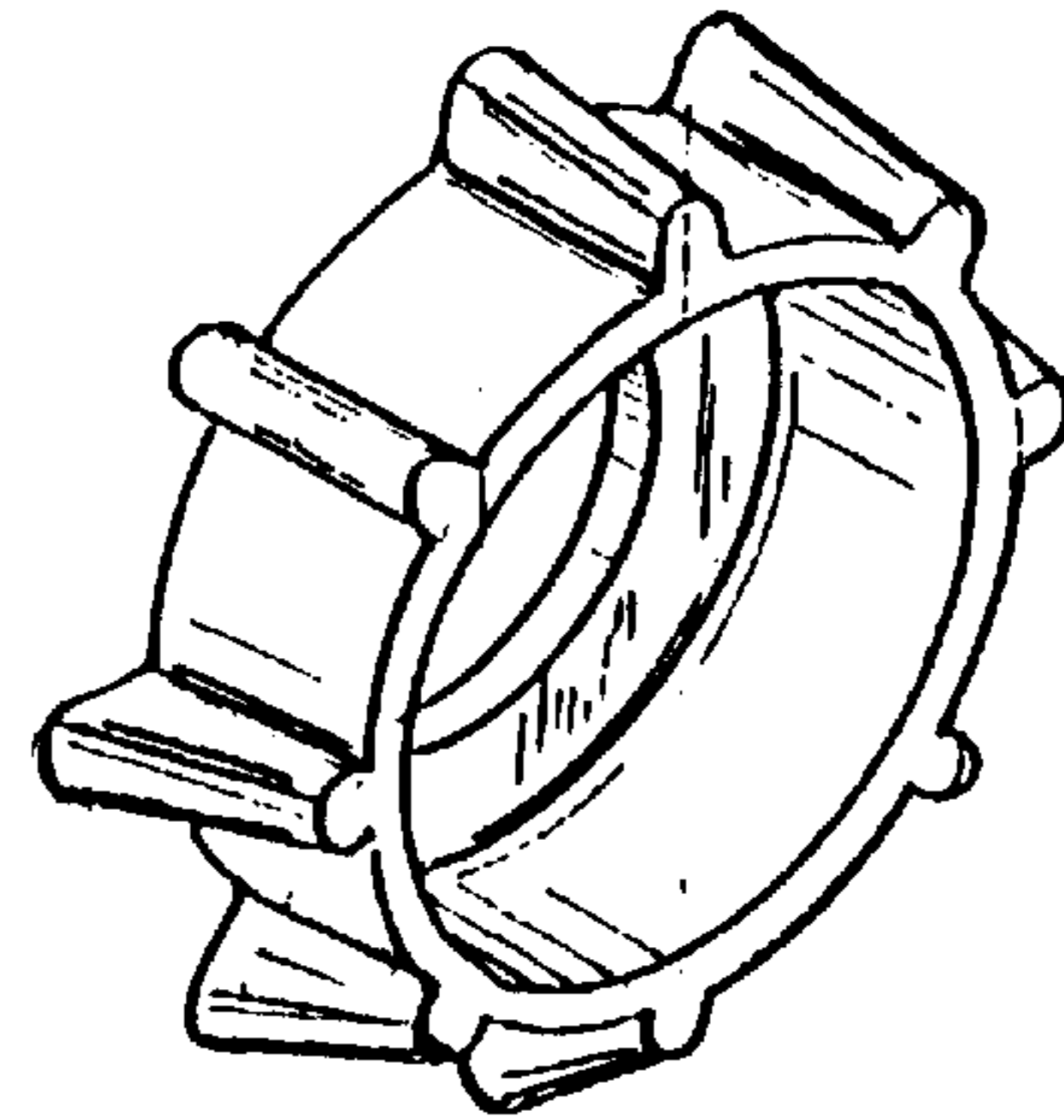


FIG - 3 -

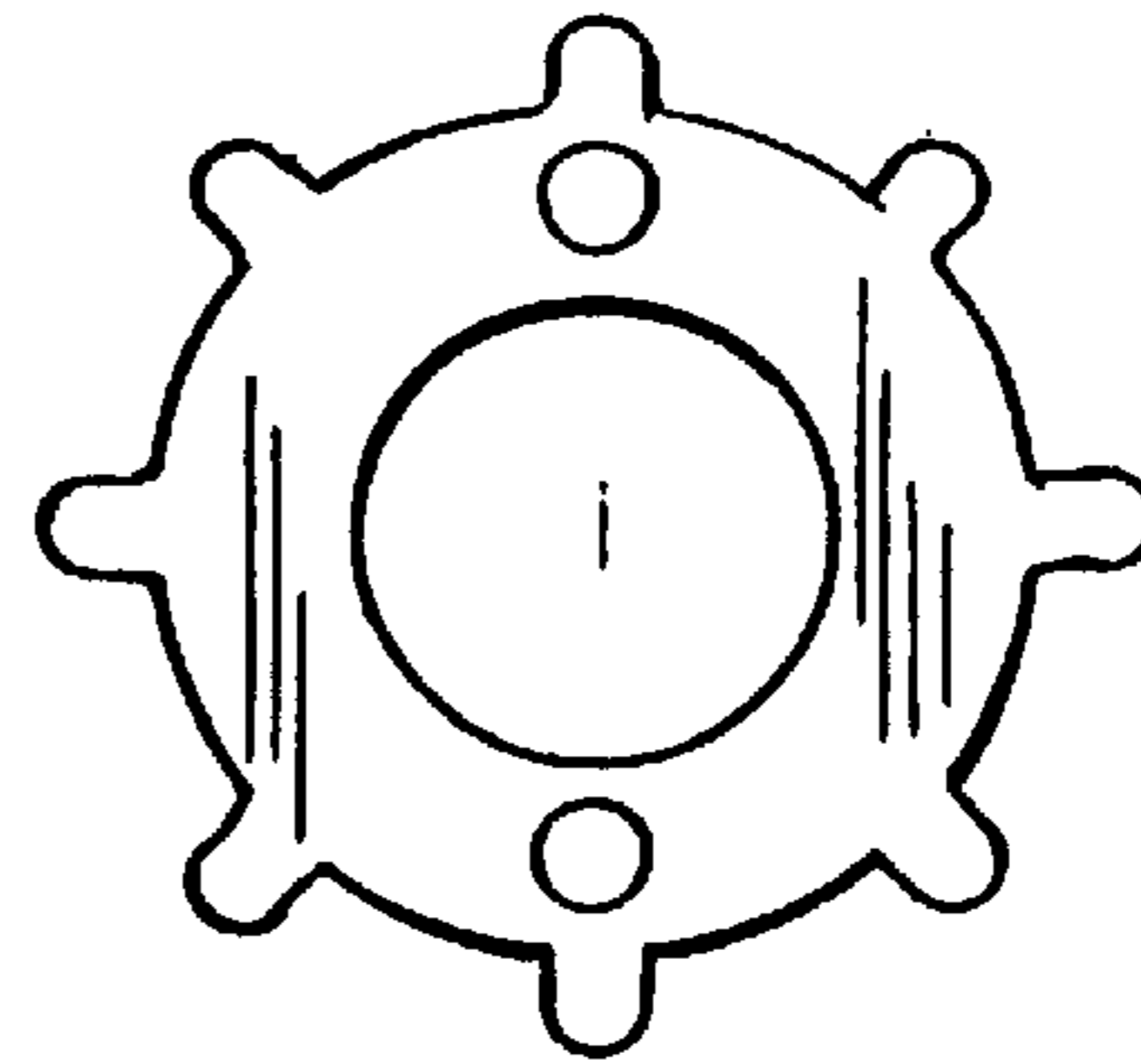


FIG - 4 -



FIG - 5 -