

US00D494050S1

(12) **United States Design Patent**
Klein et al.

(10) **Patent No.: US D494,050 S**
(45) **Date of Patent: ** Aug. 10, 2004**

(54) **HANGER BRACKET FOR CABINET DOOR STORAGE RACK**

(75) Inventors: **Richard B. Klein**, Overland Park, KS (US); **John W. Scott**, Lenexa, KS (US); **Chris Serslev**, Leawood, KS (US)

(73) Assignee: **Lynk, Inc.**, Lenexa, KS (US)

(**) Term: **14 Years**

(21) Appl. No.: **29/189,122**

(22) Filed: **Aug. 29, 2003**

Related U.S. Application Data

(63) Continuation-in-part of application No. 29/169,696, filed on Oct. 24, 2002.

(51) **LOC (7) Cl.** **08-05**

(52) **U.S. Cl.** **D8/373**

(58) **Field of Search** D8/354, 349, 373;
D11/120; D6/315; 248/301-304, 214-215,
317

(56) **References Cited**

U.S. PATENT DOCUMENTS

28,174 A * 5/1860 Hochstrasser 248/215
767,589 A * 8/1904 Moore 248/201
2,459,909 A 1/1949 Alofs
2,488,326 A * 11/1949 Pratt 248/311.2

3,918,670 A 11/1975 Doherty
D287,550 S 1/1987 Tocci
D342,889 S * 1/1994 Adams D8/367
D354,412 S 1/1995 Emery
5,556,076 A * 9/1996 Jacquay 254/8 R
D381,225 S 7/1997 Malik
D385,481 S 10/1997 Klein et al.
D386,668 S 11/1997 Klein et al.
D397,565 S 9/1998 Klein et al.
5,855,279 A 1/1999 Klein et al.
6,152,313 A 11/2000 Klein et al.

* cited by examiner

Primary Examiner—Holly Baynham

(74) *Attorney, Agent, or Firm*—Shook, Hardy & Bacon, L.L.P.

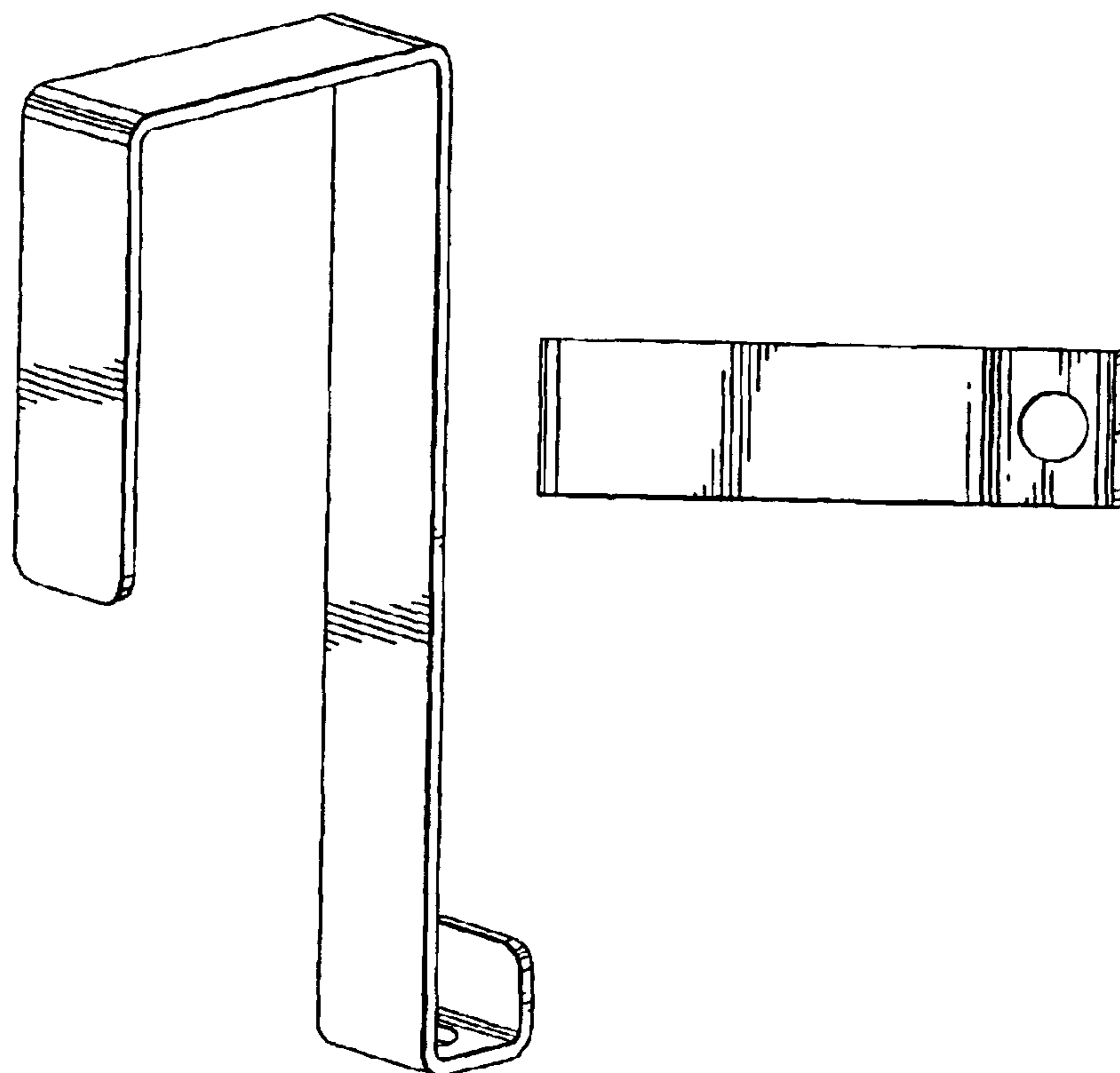
(57) **CLAIM**

The ornamental design for a hanger bracket for cabinet door storage rack, as shown and described.

DESCRIPTION

FIG. 1 is a perspective view of a hanger bracket for cabinet door storage rack showing our new design; FIG. 2 is a top plan view thereof; FIG. 3 is a front elevational view thereof; FIG. 4 is a rear elevational view thereof; FIG. 5 is a bottom plan view thereof; and, FIG. 6 is a side elevational view thereof taken from the right side, the opposite side appearing as a mirror image.

1 Claim, 1 Drawing Sheet



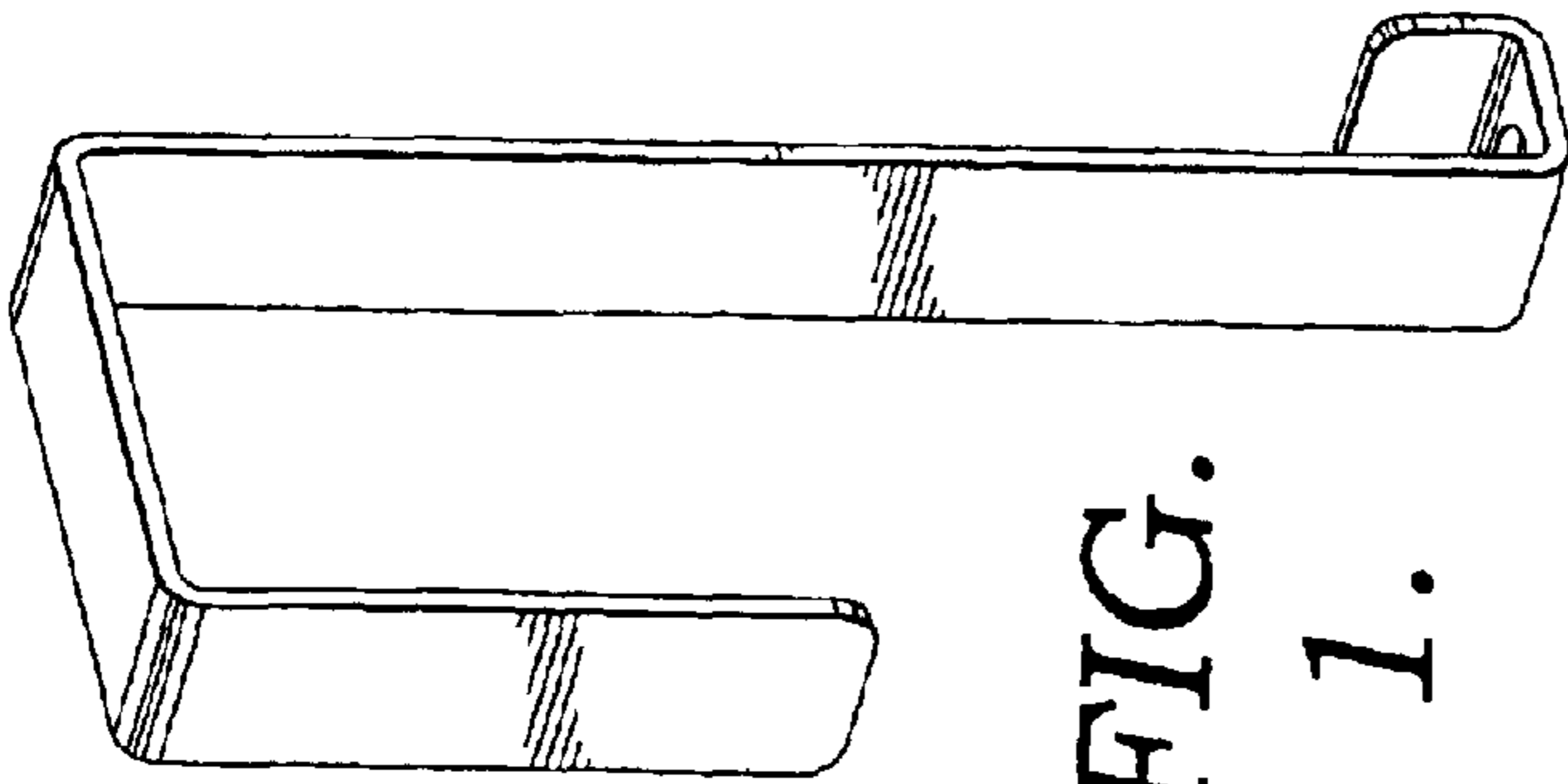


FIG. 1.

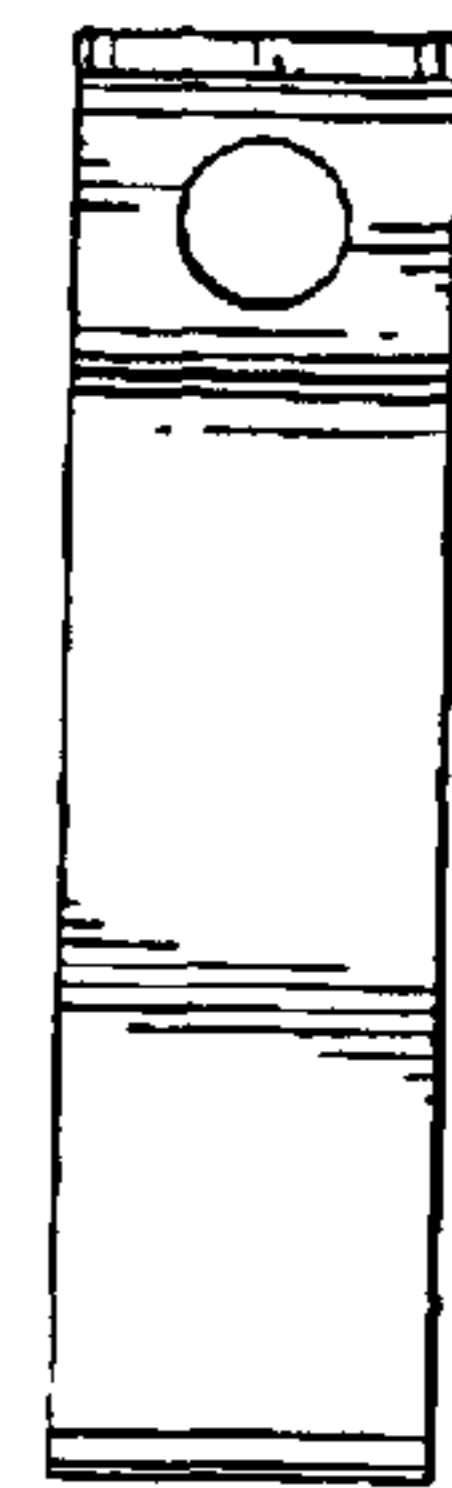


FIG. 2.

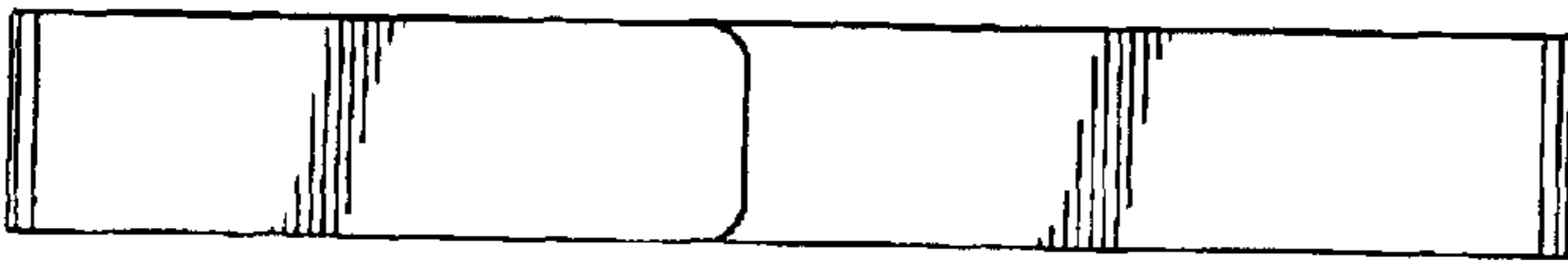


FIG. 3.



FIG. 4.

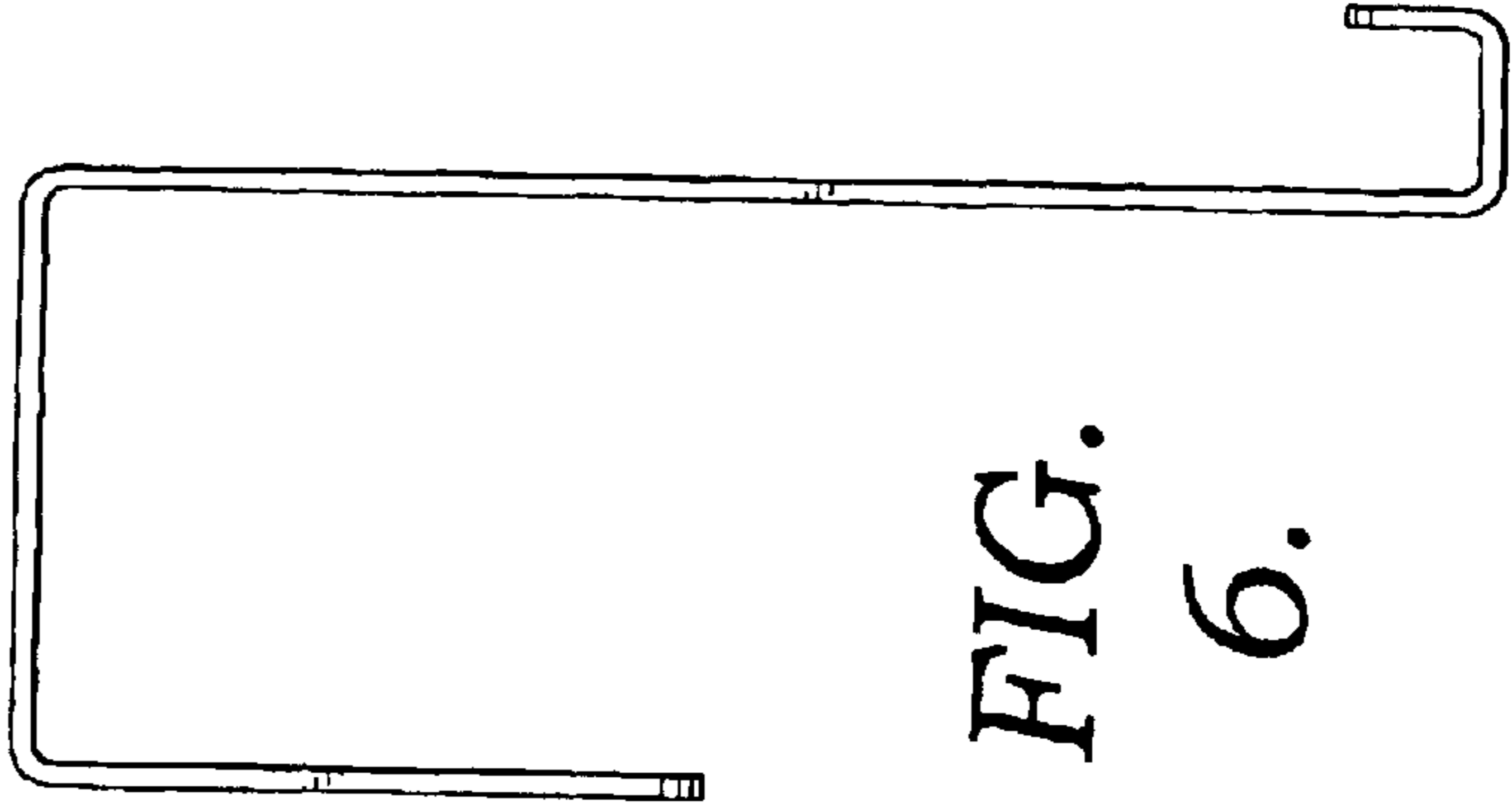


FIG. 6.

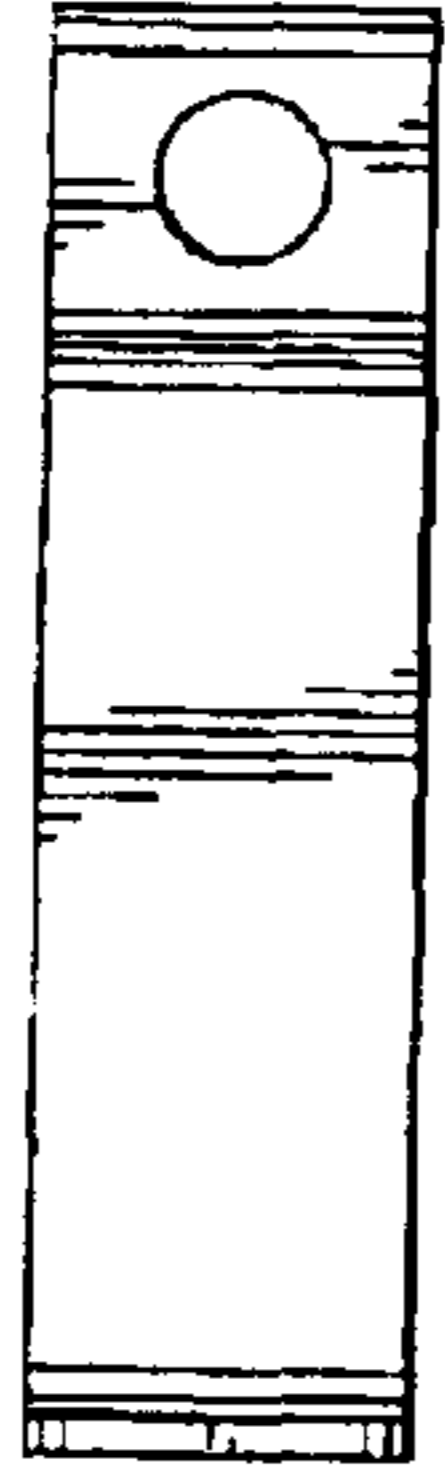


FIG. 5.