

US00D494048S1

(12) **United States Design Patent**  
**Goodman et al.**

(10) **Patent No.: US D494,048 S**

(45) **Date of Patent: \*\* Aug. 10, 2004**

(54) **RACK WITH PEGS**

(75) Inventors: **Sheldon H. Goodman**, 30905 Stratford Dr., Solon, OH (US) 44139; **Kent W. Murphy**, Wooster, OH (US)

(73) Assignee: **Sheldon H. Goodman**, Solon, OH (US)

(\*\*) Term: **14 Years**

(21) Appl. No.: **29/193,989**

(22) Filed: **Nov. 17, 2003**

(51) **LOC (7) Cl. .... 08-05**

(52) **U.S. Cl. .... D8/372**

(58) **Field of Search .... D8/372; D6/323, D6/467, 567; 211/87.01, 85.3**

(56) **References Cited**

**U.S. PATENT DOCUMENTS**

1,687,129	A	*	10/1928	Henninger	.....	211/85.3
3,938,667	A	*	2/1976	Buckland	.....	211/87.01
D291,154	S	*	8/1987	Owen	.....	D6/323
5,097,966	A	*	3/1992	Miller	.....	211/87.01
D390,013	S	*	2/1998	Ho	.....	D6/323
5,743,394	A	*	4/1998	Martin	.....	206/378
D417,115	S	*	11/1999	Creel	.....	D6/567
D460,295	S	*	7/2002	Fissell et al.	.....	D6/467
D472,134	S		3/2003	Goodman et al.		
D473,455	S		4/2003	Goodman et al.		

**OTHER PUBLICATIONS**

Spectrum New For 2002 New Products, Circa 2002, Cover Page and 7 pages.

Spectrum Seasonal—Merchandisers—Just For Kids, Circa 2002, Cover page and 3 pages.

\* cited by examiner

*Primary Examiner*—Holly Baynham

(74) *Attorney, Agent, or Firm*—Fay, Sharpe, Fagan, Minnich & McKee, LLP

(57) **CLAIM**

The ornamental design for a rack with pegs, as shown and described.

**DESCRIPTION**

FIG. 1 is a perspective view of a rack with pegs showing a first embodiment of our new design;

FIG. 2 is a left side elevational view thereof, with a right side elevational view being a mirror image thereof;

FIG. 3 is a front elevational view thereof;

FIG. 4 is a rear elevational view thereof;

FIG. 5 is a top plan view thereof;

FIG. 6 is a bottom plan view thereof;

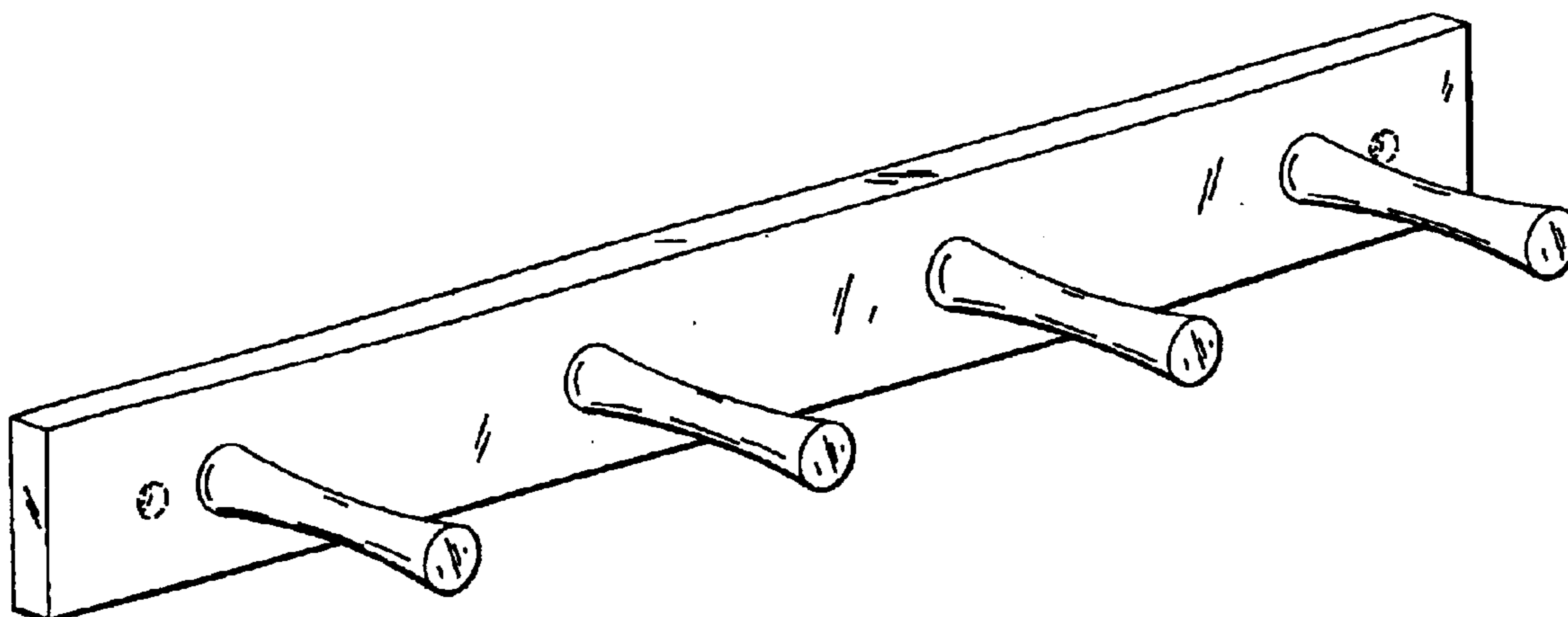
FIG. 7 is an enlarged perspective view of a portion thereof; and,

FIG. 8 is a perspective view of a rack with pegs showing a second embodiment of our new design.

The view of FIG. 7 is shown fragmented and enlarged for clarity of illustration.

The portions shown in broken lines in FIGS. 1, 3, 4 and 8 are for illustrative purposes only and form no part of the claimed design.

**1 Claim, 3 Drawing Sheets**



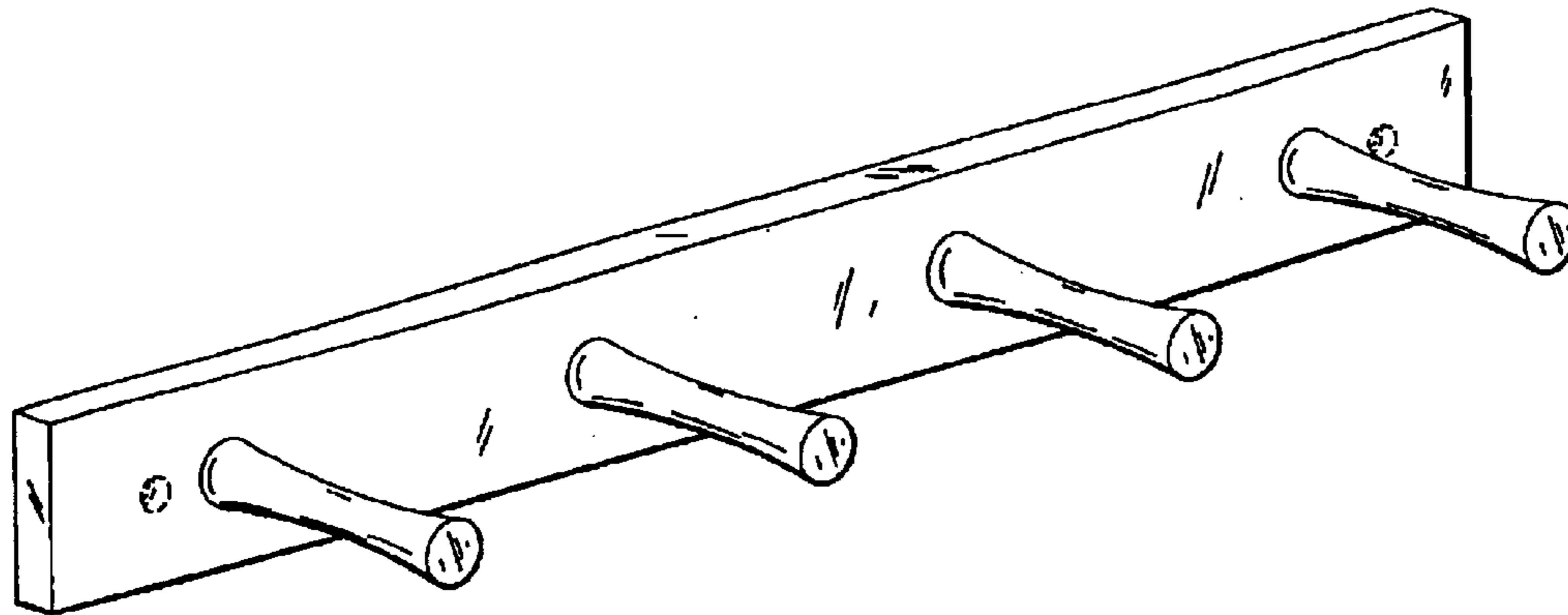


FIG. 1

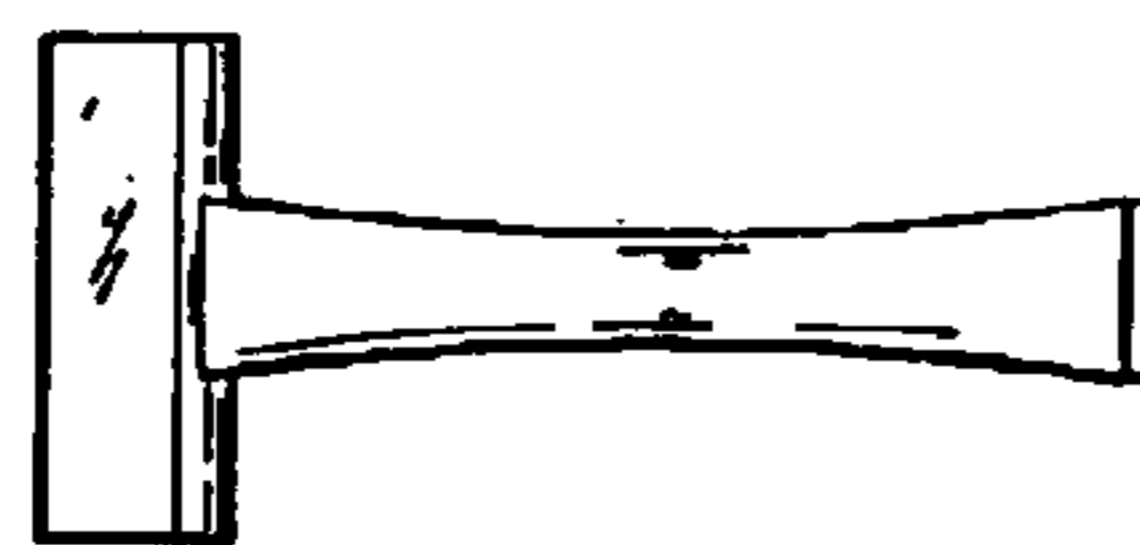


FIG. 2

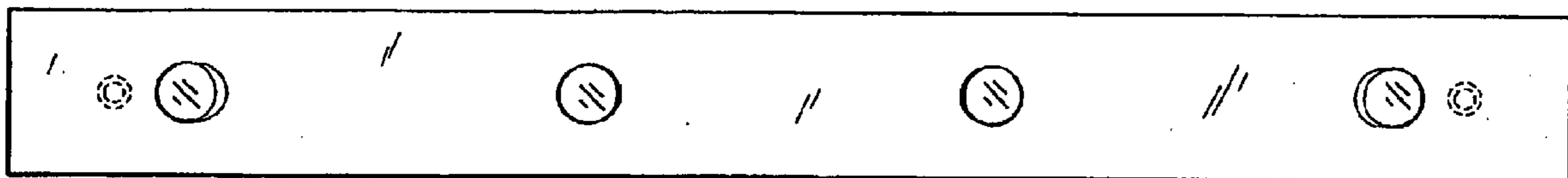


FIG. 3



FIG. 4

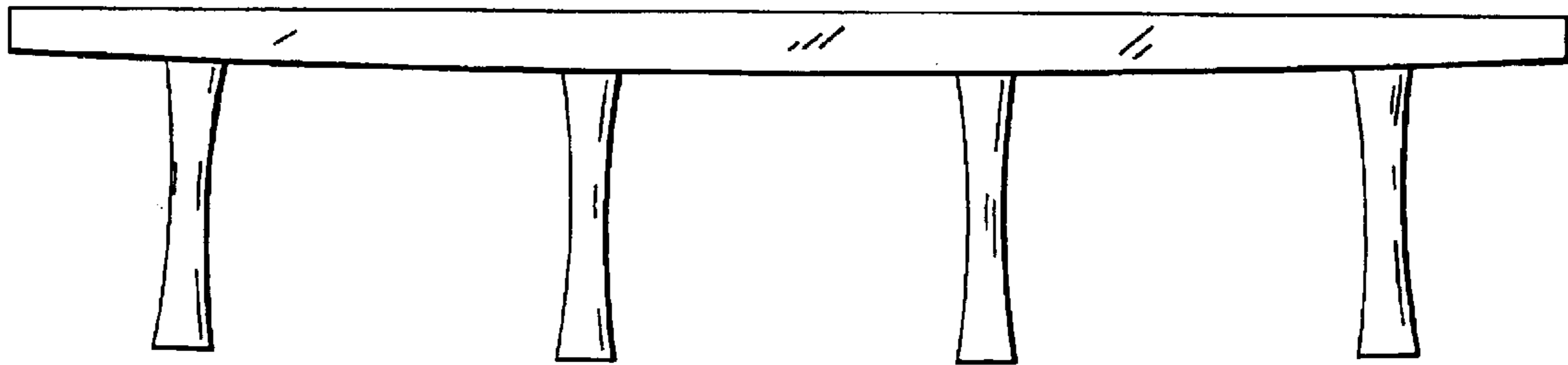


FIG. 5

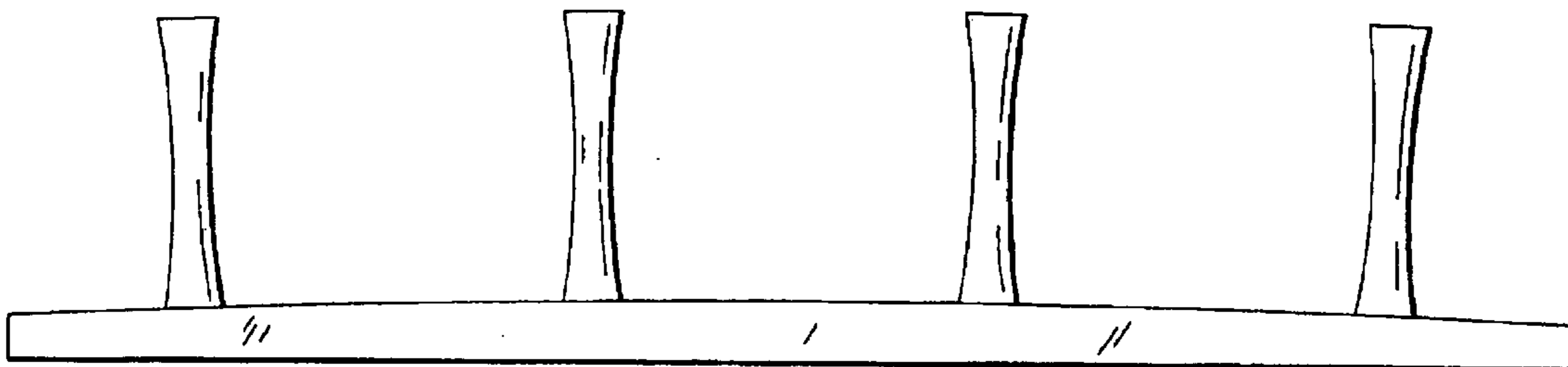


FIG. 6

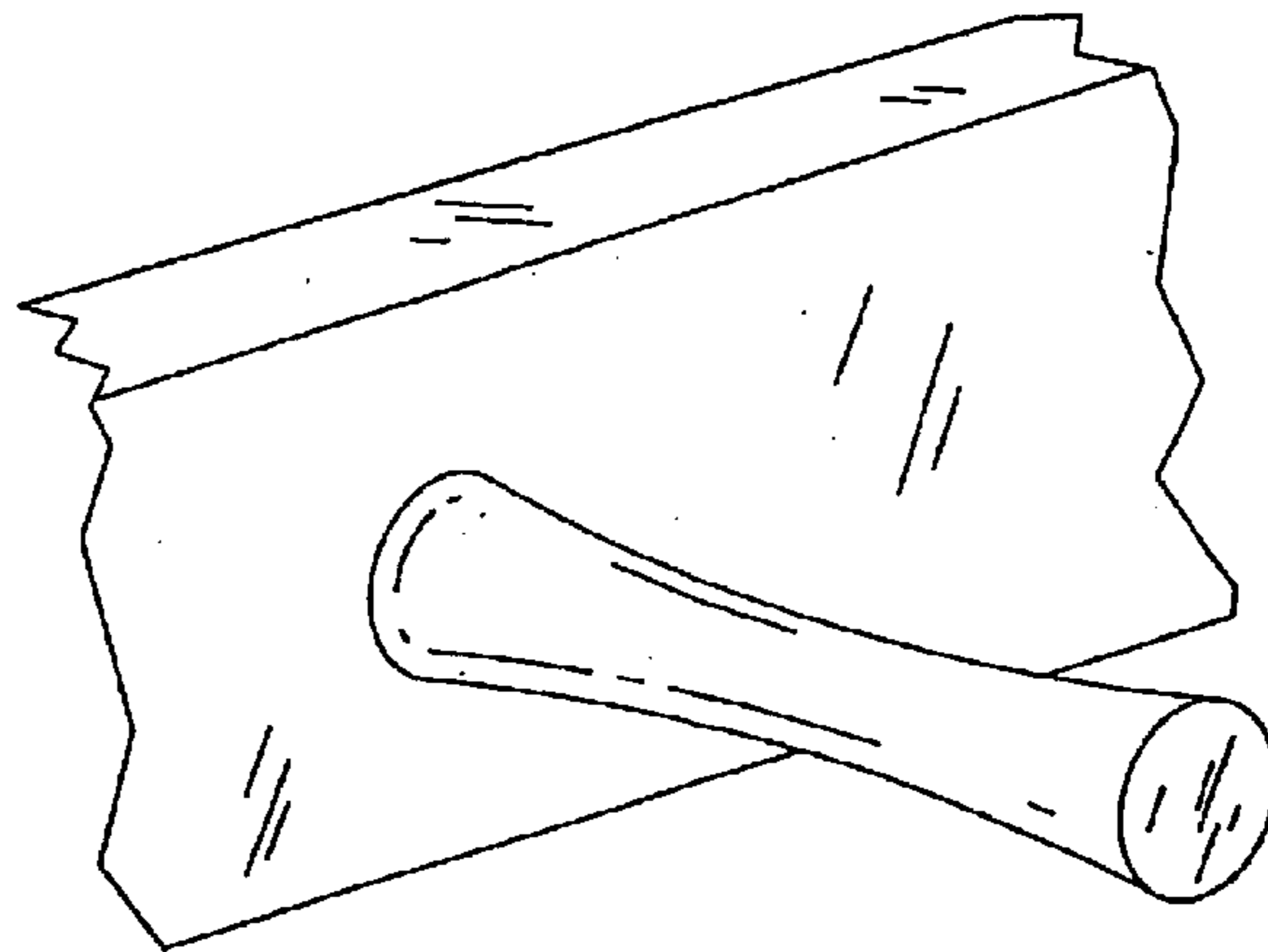


FIG. 7

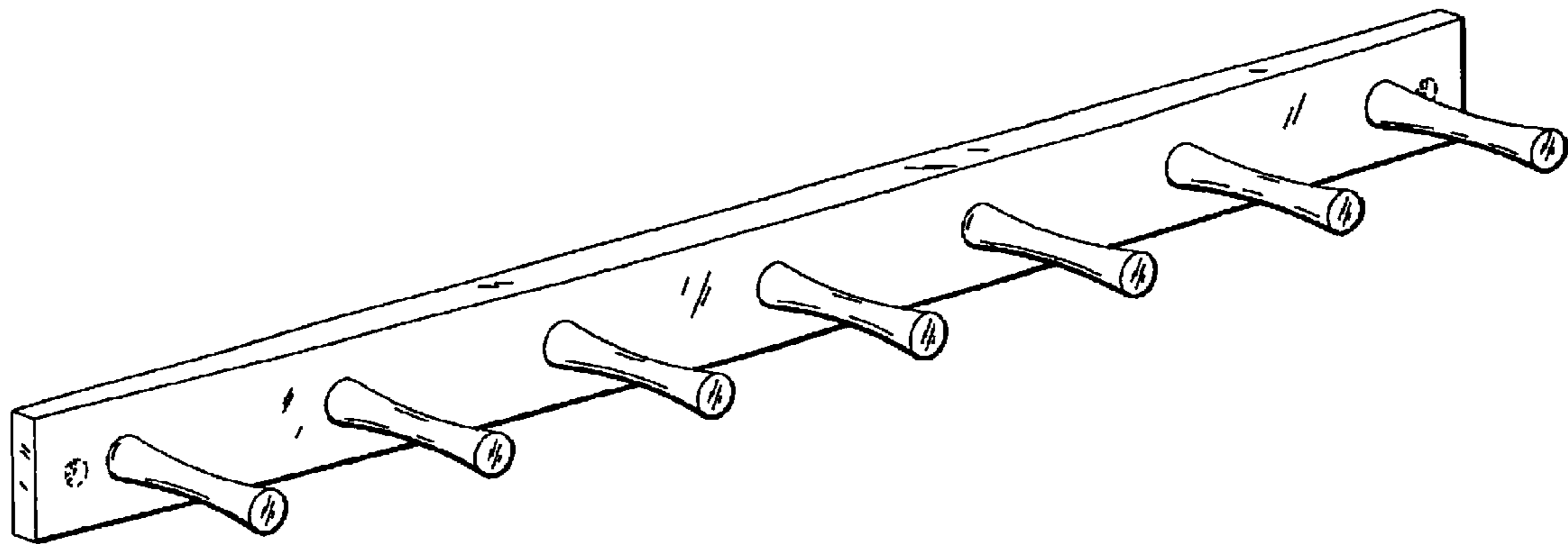


FIG. 8