

US00D494046S1

(12) **United States Design Patent** (10) **Patent No.:** **US D494,046 S**
DeBiasio, Jr. (45) **Date of Patent:** **** Aug. 10, 2004**

(54) **ONE-PIECE SCAN BAR FOR A LOOP HOOK**

(74) *Attorney, Agent, or Firm*—Salter & Michaelson

(76) **Inventor:** **Lorenzo DeBiasio, Jr.**, 9 Enfield St.,
Johnston, RI (US) 02919

(57) **CLAIM**

The ornamental design for a one-piece scan bar for a loop hook, as shown and described.

(**) **Term:** **14 Years**

DESCRIPTION

(21) **Appl. No.:** **29/179,588**

FIG. 1 is a perspective view of a first embodiment of a one-piece scan bar for a loop hook showing my new design with a scan plate affixed thereto;

(22) **Filed:** **Apr. 11, 2003**

FIG. 2 is a perspective view of the first embodiment thereof; FIG. 3 is a right side elevational view of the first embodiment thereof;

(51) **LOC (7) Cl.** **08-05**

(52) **U.S. Cl.** **D8/370**

(58) **Field of Search** D8/367, 370; D6/572;
211/106, 57.1; 248/302–303, 220.41

FIG. 4 is a left side elevational view of the first embodiment thereof;

(56) **References Cited**

U.S. PATENT DOCUMENTS

D32,690 S	*	5/1900	Kincey	D8/363
4,560,062 A		12/1985	Valiulis		
4,697,712 A		10/1987	Valiulis		
4,724,967 A		2/1988	Valiulis		
4,783,033 A		11/1988	Valiulis		
4,850,557 A	*	7/1989	Valiulis	248/220.4
4,869,376 A		9/1989	Valiulis et al.		
4,976,058 A		12/1990	Valiulis		
5,231,779 A		8/1993	Valiulis et al.		
5,236,163 A		8/1993	Valiulis		
5,325,616 A		7/1994	Valiulis		
5,415,370 A		5/1995	Valiulis		
5,441,161 A	*	8/1995	Merl	211/57.1
5,499,722 A	*	3/1996	Goldring	211/57.1
5,645,175 A	*	7/1997	Wood	211/57.1
6,385,884 B1		5/2002	Valiulis		
2001/0019095 A1		9/2001	Valiulis		

FIG. 5 is a rear elevational view of the first embodiment thereof;

FIG. 6 is a front elevational view of the first embodiment thereof;

FIG. 7 is a top plan view of the first embodiment thereof; FIG. 8 is bottom plan view of the first embodiment thereof;

FIG. 9 is a perspective view of a second embodiment of a one-piece scan bar for a loop hook showing my new design with a scan plate affixed thereto;

FIG. 10 is a perspective view of the second embodiment thereof;

FIG. 11 is a right side elevational view of the second embodiment thereof;

FIG. 12 is a left side elevational view of the second embodiment thereof;

FIG. 13 is a rear elevational view of the second embodiment thereof;

FIG. 14 is a front elevational view of the second embodiment thereof;

FIG. 15 is a top plan view of the second embodiment thereof; and,

FIG. 16 is bottom plan view of the second embodiment thereof.

The portions shown in broken lines are included for illustrative purpose only and form no part of the claimed design.

OTHER PUBLICATIONS

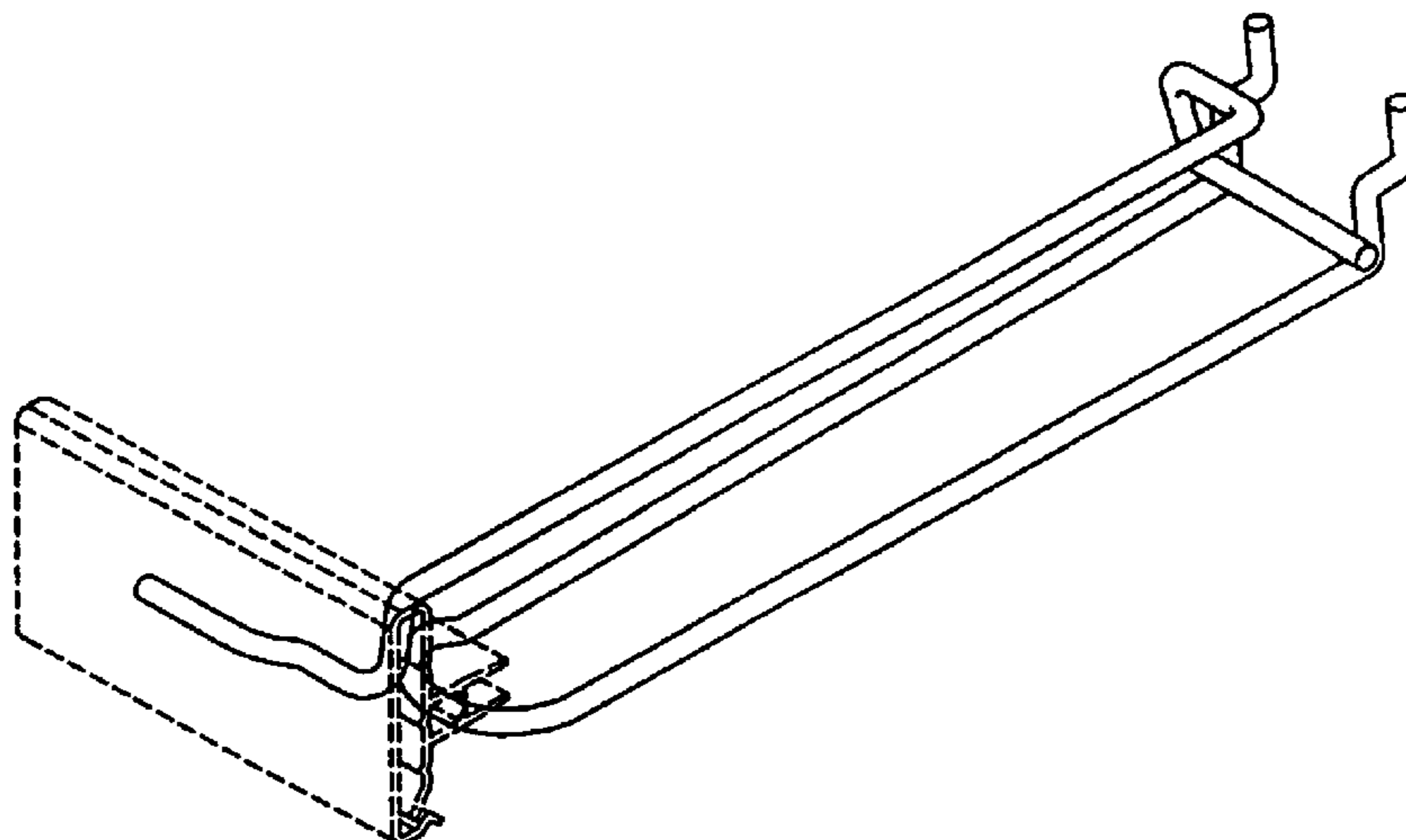
Southern Imperial, Inc., "The Next Generation of Display Hooks . . .," Jan. 2002.

LDB Manufacturing, Inc., "Display Hooks & Hardware" 2002 Catalog.

* cited by examiner

Primary Examiner—Holly Baynham

1 Claim, 6 Drawing Sheets



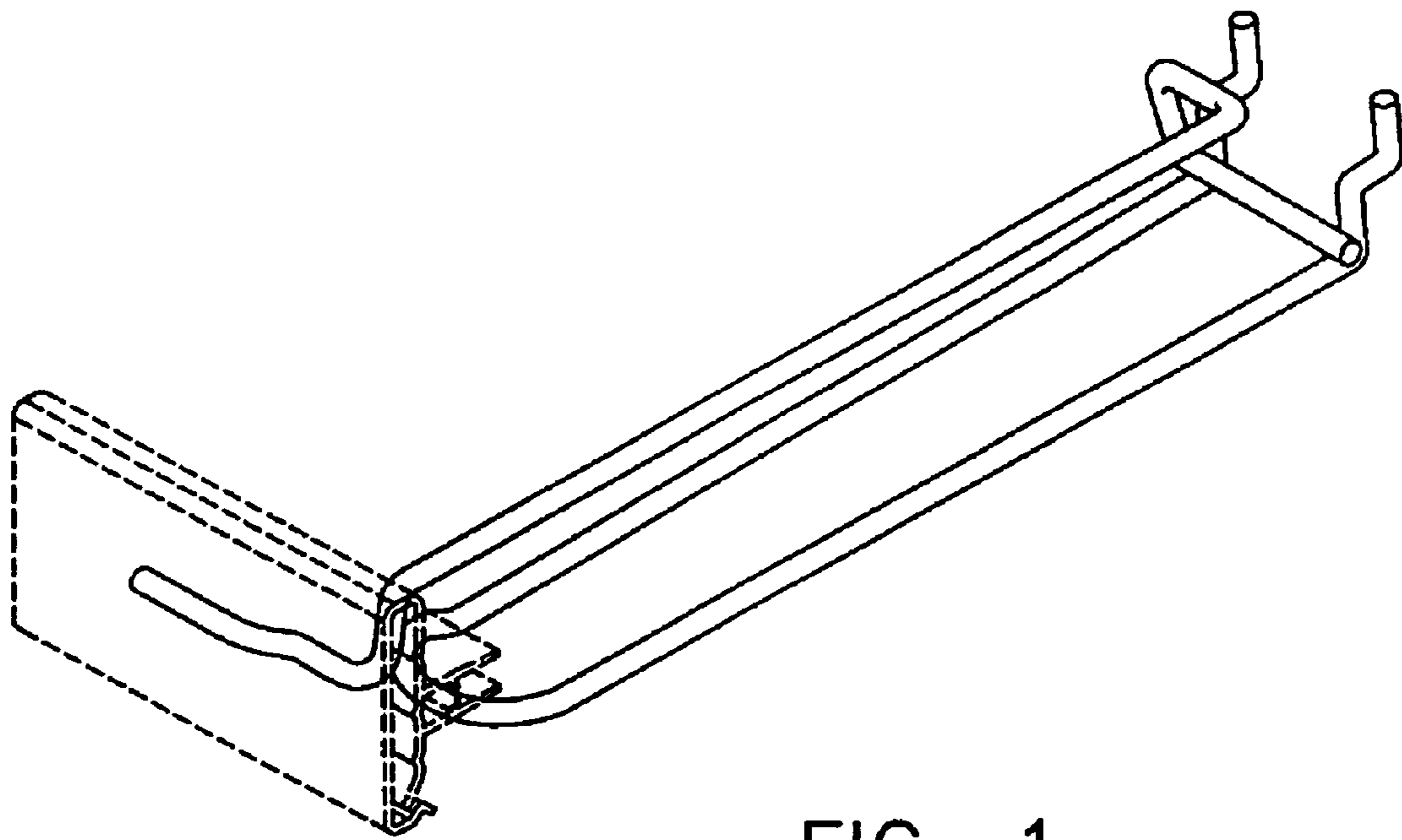


FIG. 1

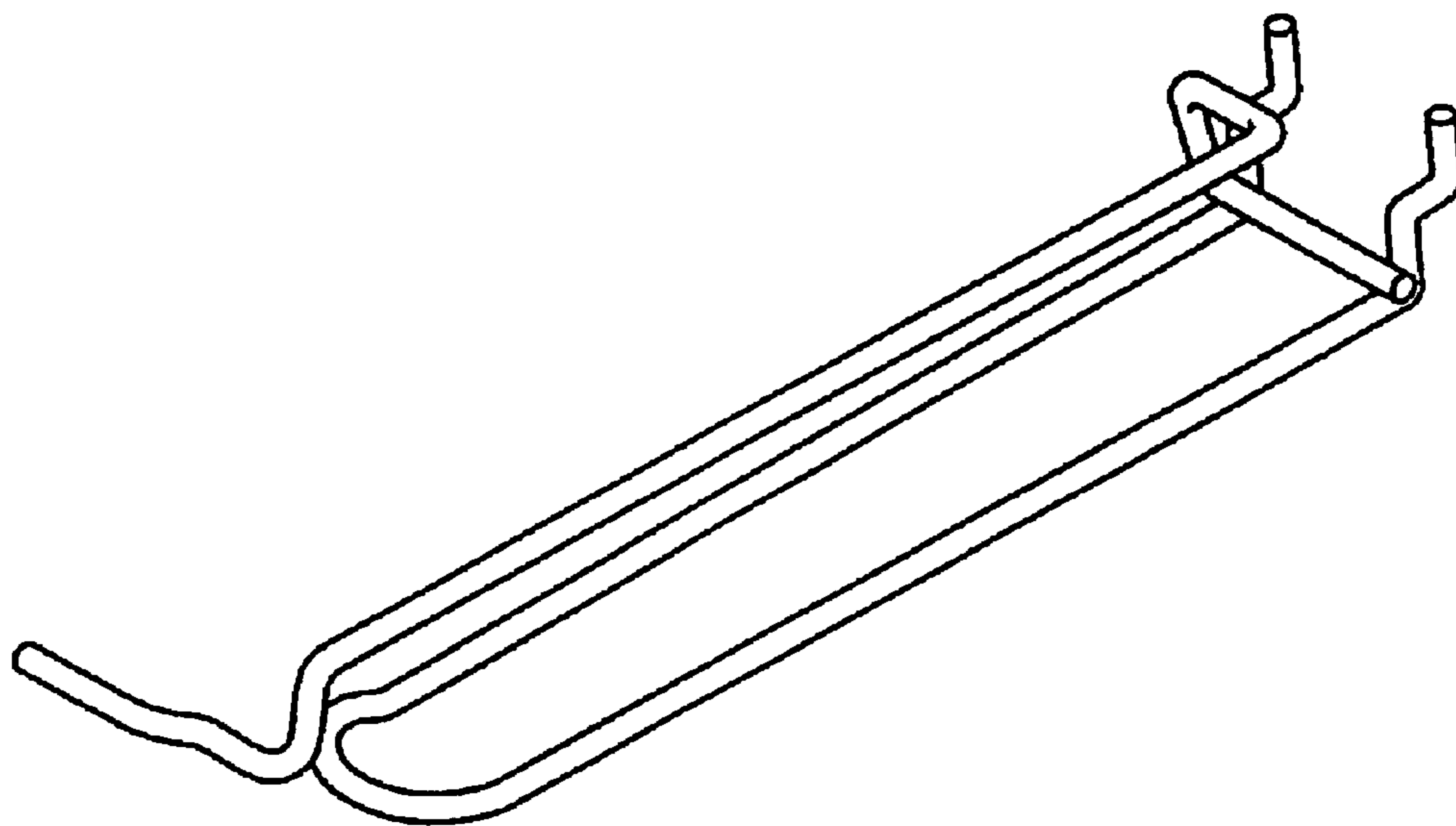


FIG. 2

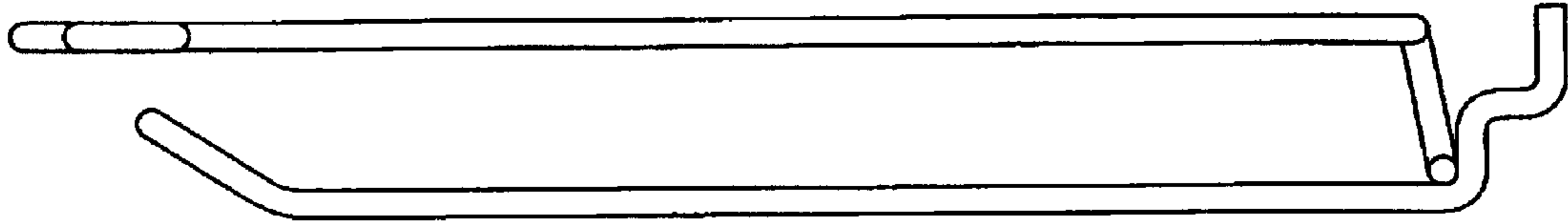


FIG. 3

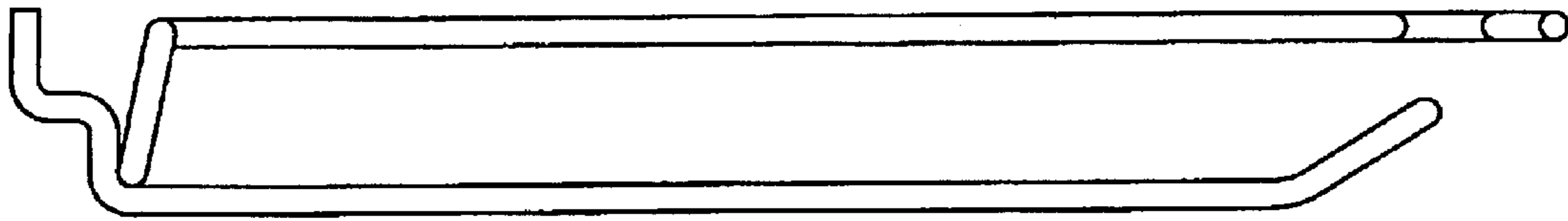


FIG. 4

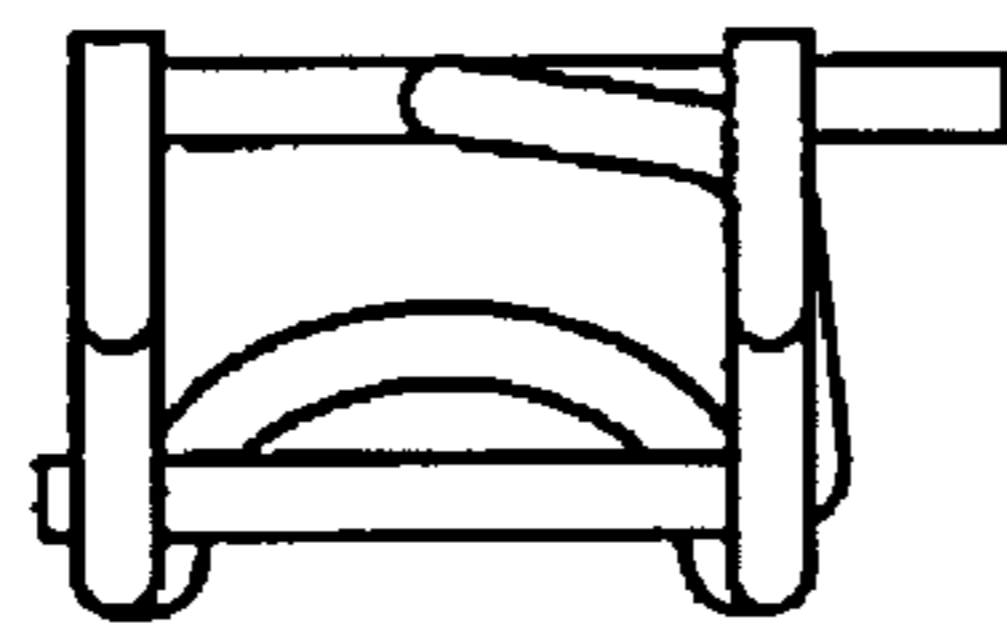


FIG. 5

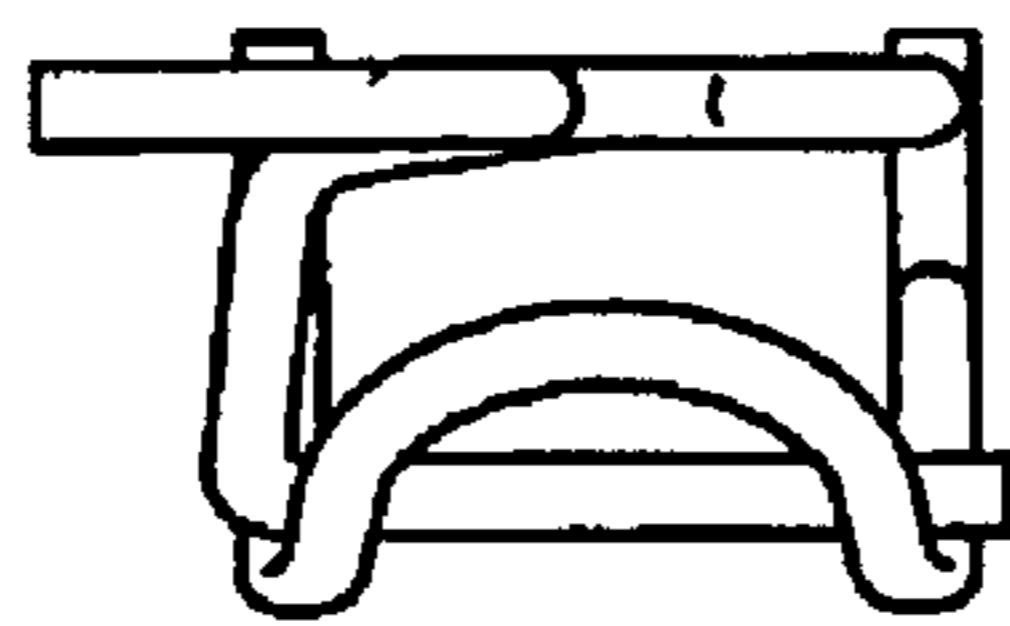


FIG. 6

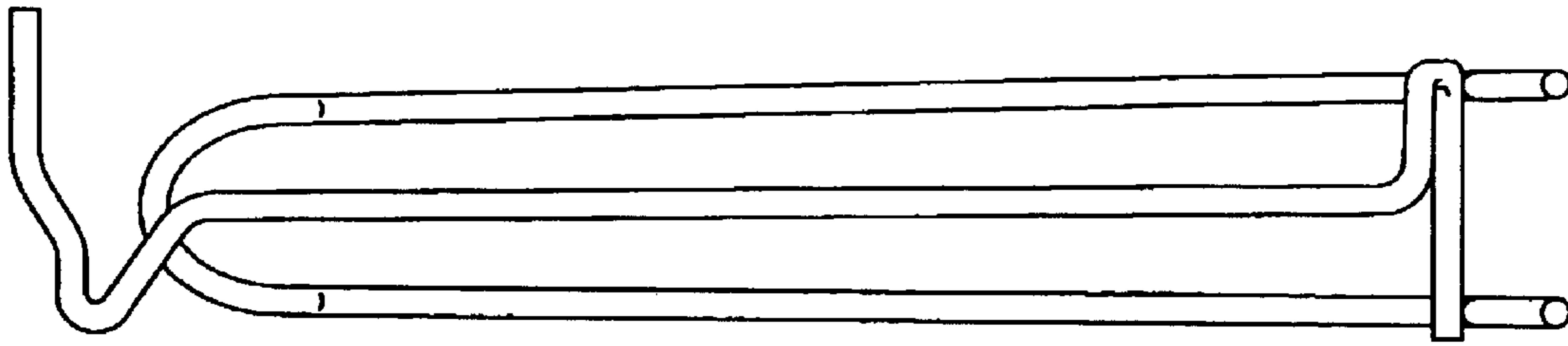


FIG. 7

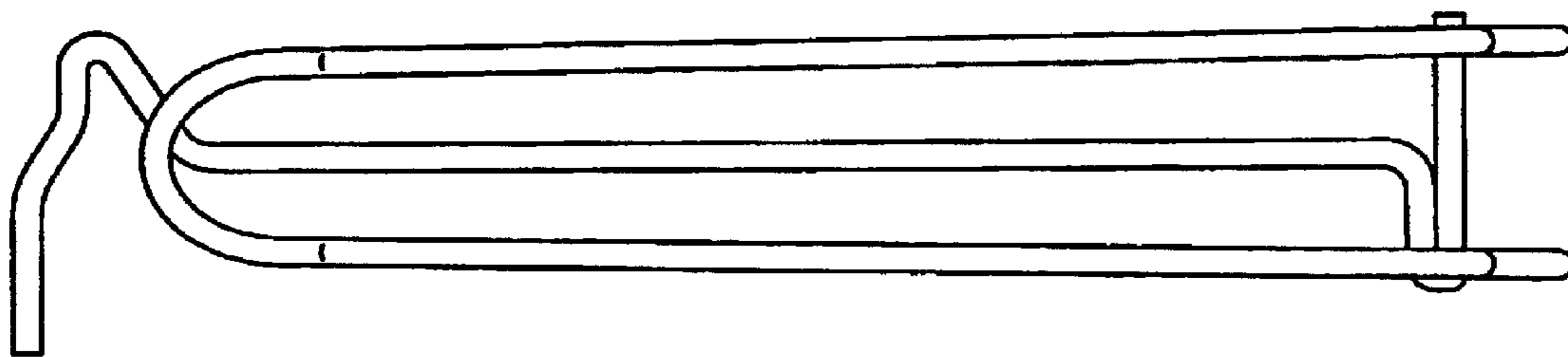


FIG. 8

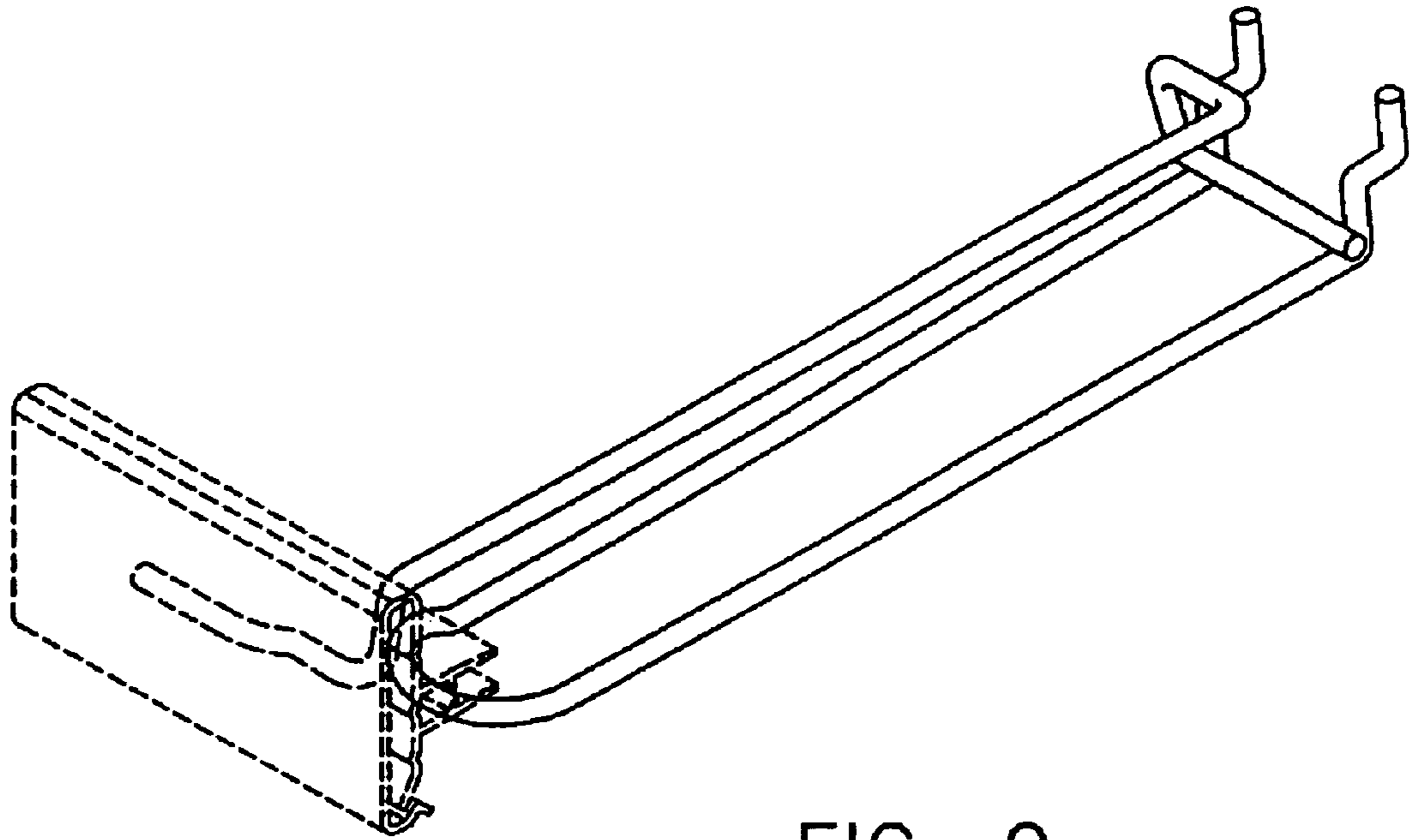


FIG. 9

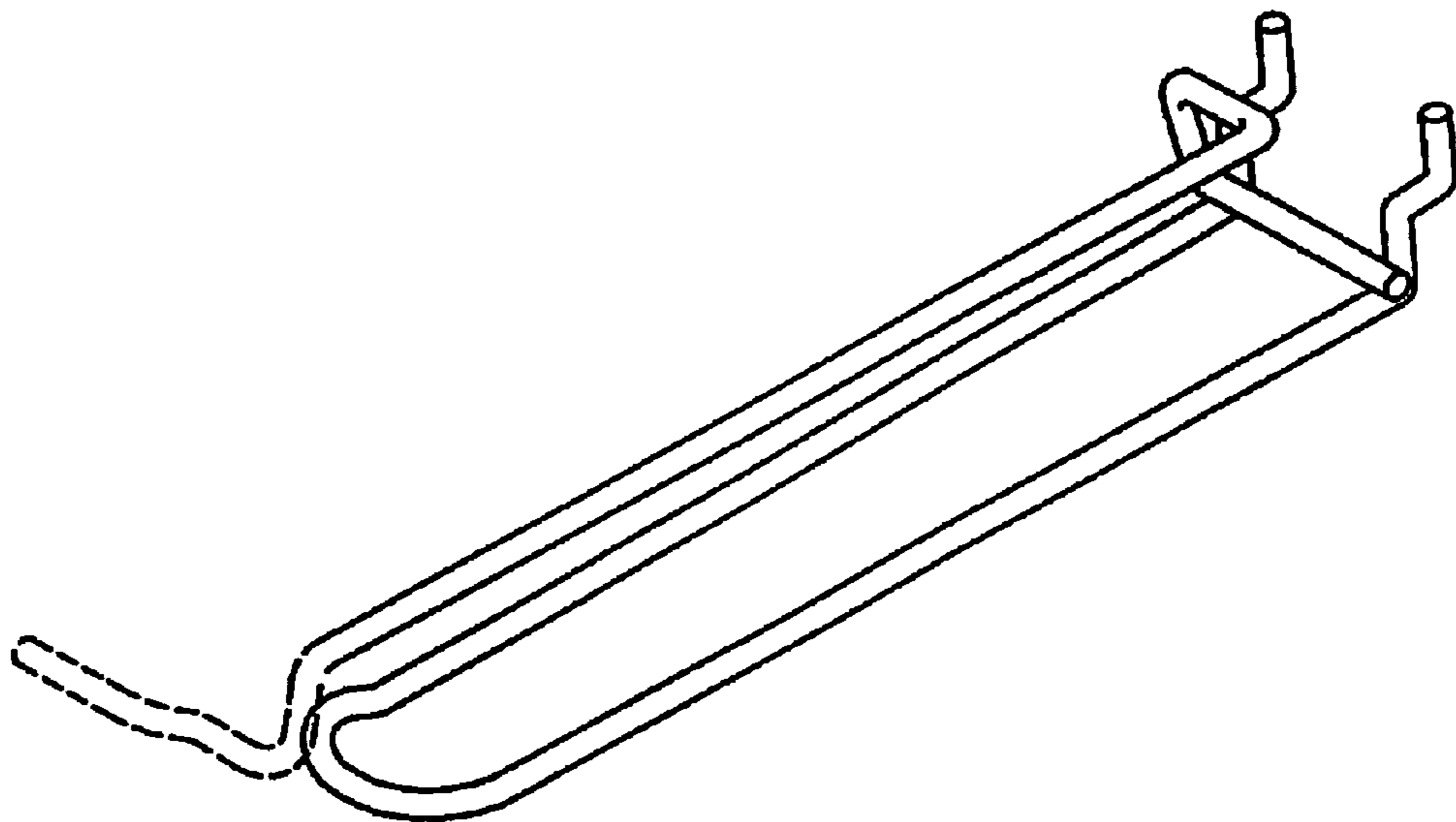


FIG. 10

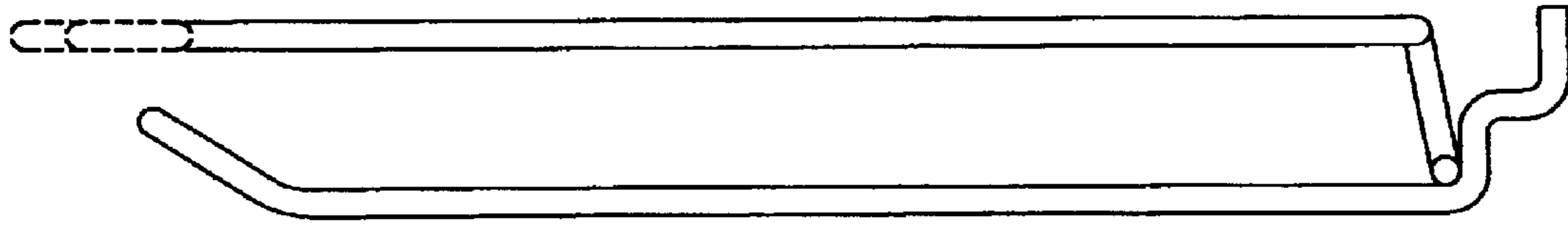


FIG. 11

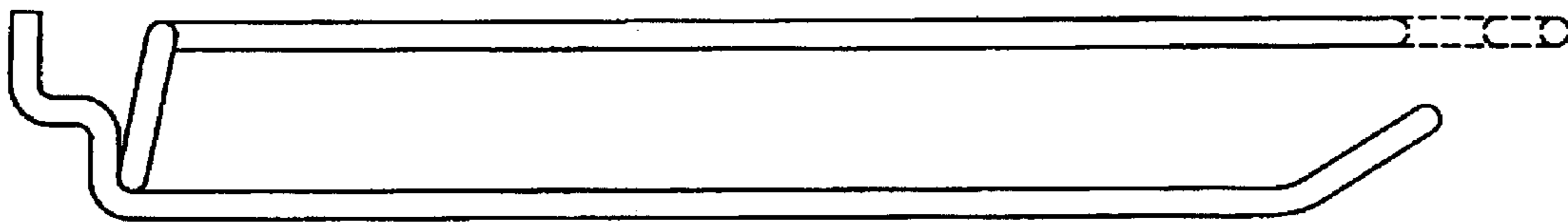


FIG. 12

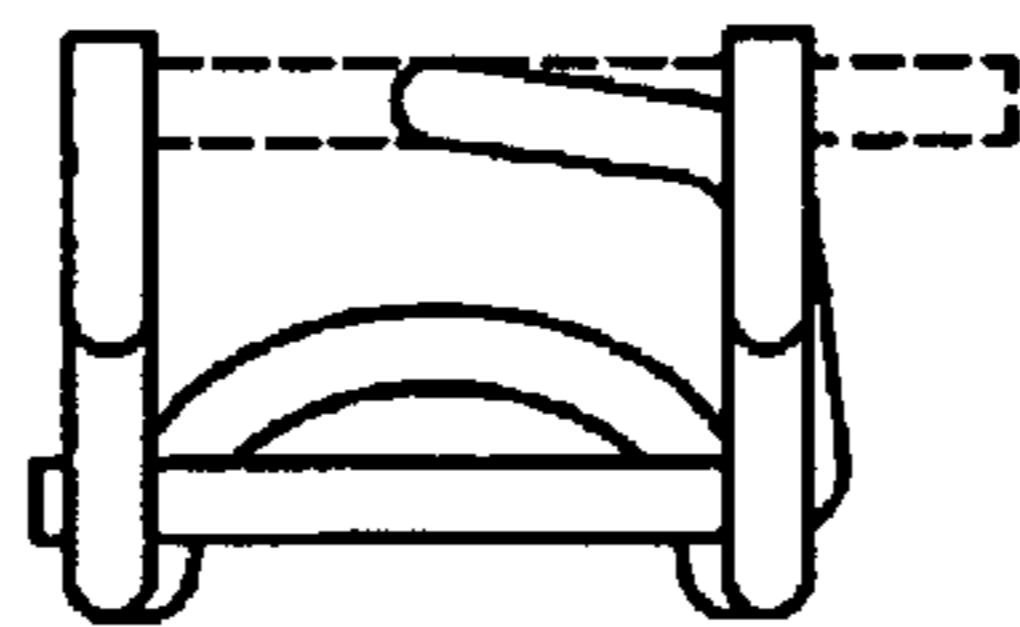


FIG. 13

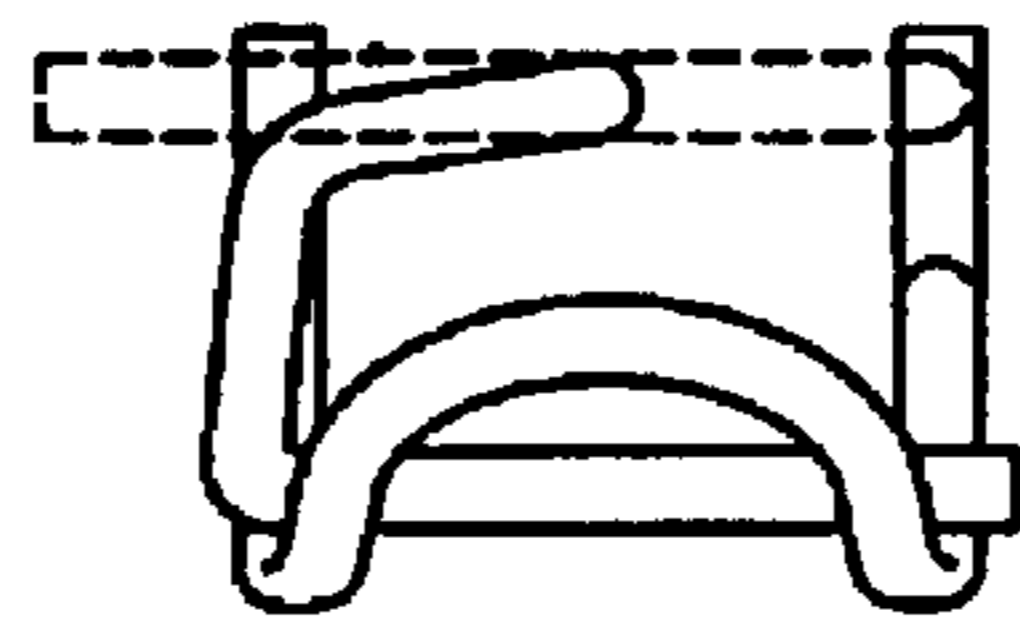


FIG. 14

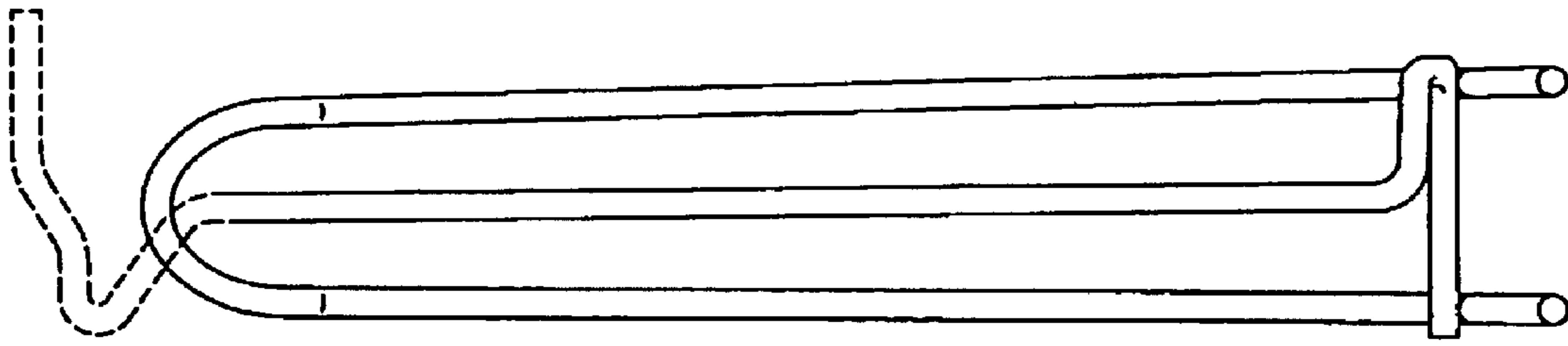


FIG. 15

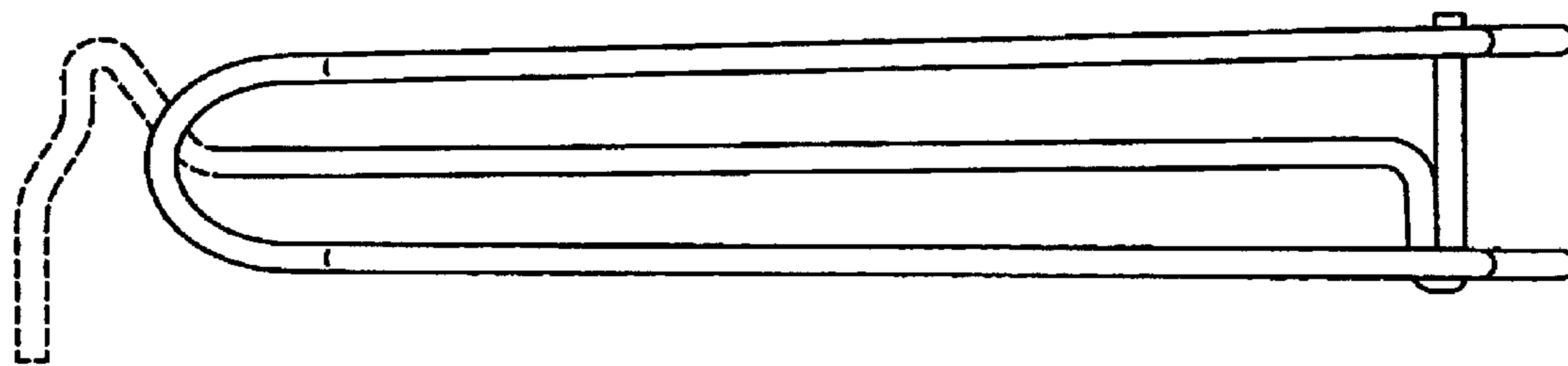


FIG. 16