



US00D494045S1

(12) **United States Design Patent** (10) **Patent No.:** **US D494,045 S**
Van Essen et al. (45) **Date of Patent:** **** Aug. 10, 2004**

(54) **HARDWARE BRACKET FOR WINDOW CORNICE DECORATING SYSTEMS**
 (76) Inventors: **Judy Van Essen**, 9620 E. Rising Sun, Scottsdale, AZ (US) 85262; **Timothy Taylor**, 9620 E. Rising Sun, Scottsdale, AZ (US) 85262

(**) Term: **14 Years**

(21) Appl. No.: **29/193,333**

(22) Filed: **Nov. 7, 2003**

(51) **LOC (7) Cl.** **08-05**

(52) **U.S. Cl.** **D8/366**

(58) **Field of Search** D8/349, 354, 356, D8/363, 366, 373, 380, 400; 16/90, 93 D, 94 R, 95 D, 96 D, DIG. 17; 160/19, 38, 181, 327, 368.1, 382; 248/200, 205.1, 214, 262, 300, 309.1, 316.7, 317

(56) **References Cited**

U.S. PATENT DOCUMENTS

2,594,656	A	*	4/1952	Junkunc	160/38
2,811,328	A	*	10/1957	Ericson	248/27.3
2,998,062	A	*	8/1961	Bixby	160/39
3,199,823	A	*	8/1965	Stall	248/265
3,298,056	A	*	1/1967	Hentzi	16/90
3,462,108	A	*	8/1969	Buyken	249/219.2
3,916,477	A	*	11/1975	Baker, Sr.	16/94 D

4,228,980	A	*	10/1980	Beauchamp et al.	248/262
D329,372	S	*	9/1992	Wilms	D8/380
6,152,204	A	*	11/2000	Santoro	160/38
6,173,752	B1		1/2001	Nelson et al.	160/38
D444,889	S		7/2001	Nelson et al.	D25/55
6,364,260	B1	*	4/2002	Lorincz et al.	248/215
2003/0029822	A1	*	2/2003	Fitzsimmons et al.	...	211/105.1

* cited by examiner

Primary Examiner—James Gandy

Assistant Examiner—Elizabeth Albert

(74) *Attorney, Agent, or Firm*—The Halvorson Law Firm

(57) **CLAIM**

The ornamental design for a hardware bracket for window cornice decorating systems, as shown and described.

DESCRIPTION

- FIG. 1) Is a perspective view of the present invention.
 FIG. 2) Is a second perspective view of the present invention.
 FIG. 3) Is a third perspective view of the present invention.
 FIG. 4) Is a fourth perspective view of the present invention.
 FIG. 5) Is a top view of the present invention.
 FIG. 6) Is a side view of the present invention, which is a mirror image of the remaining side not illustrated.
 FIG. 7) Is a bottom view of the present invention.
 FIG. 8) Is a front view of the present invention; and,
 FIG. 9) Is a back view of the present invention.

1 Claim, 4 Drawing Sheets

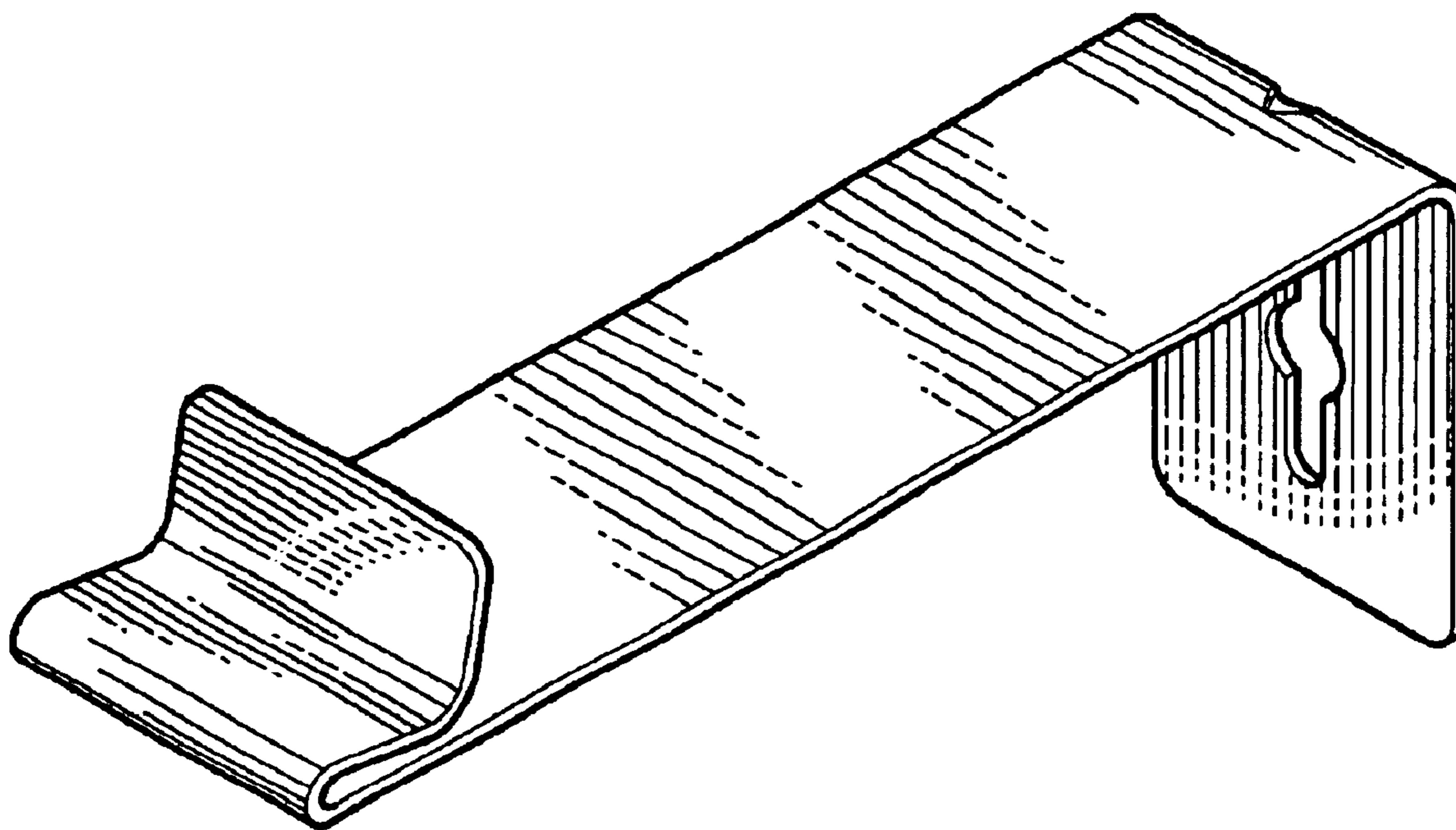


Fig. 1

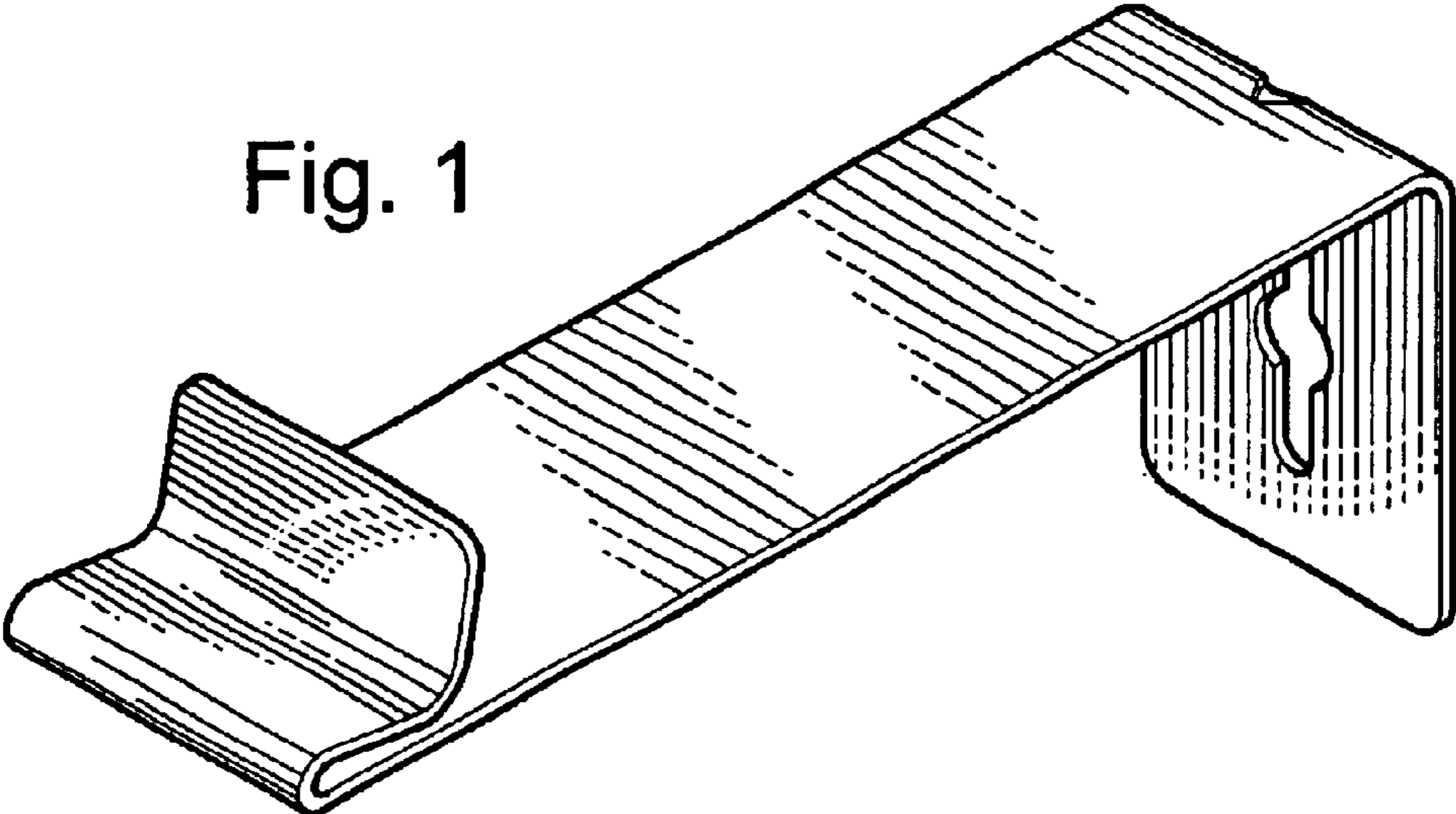


Fig. 2

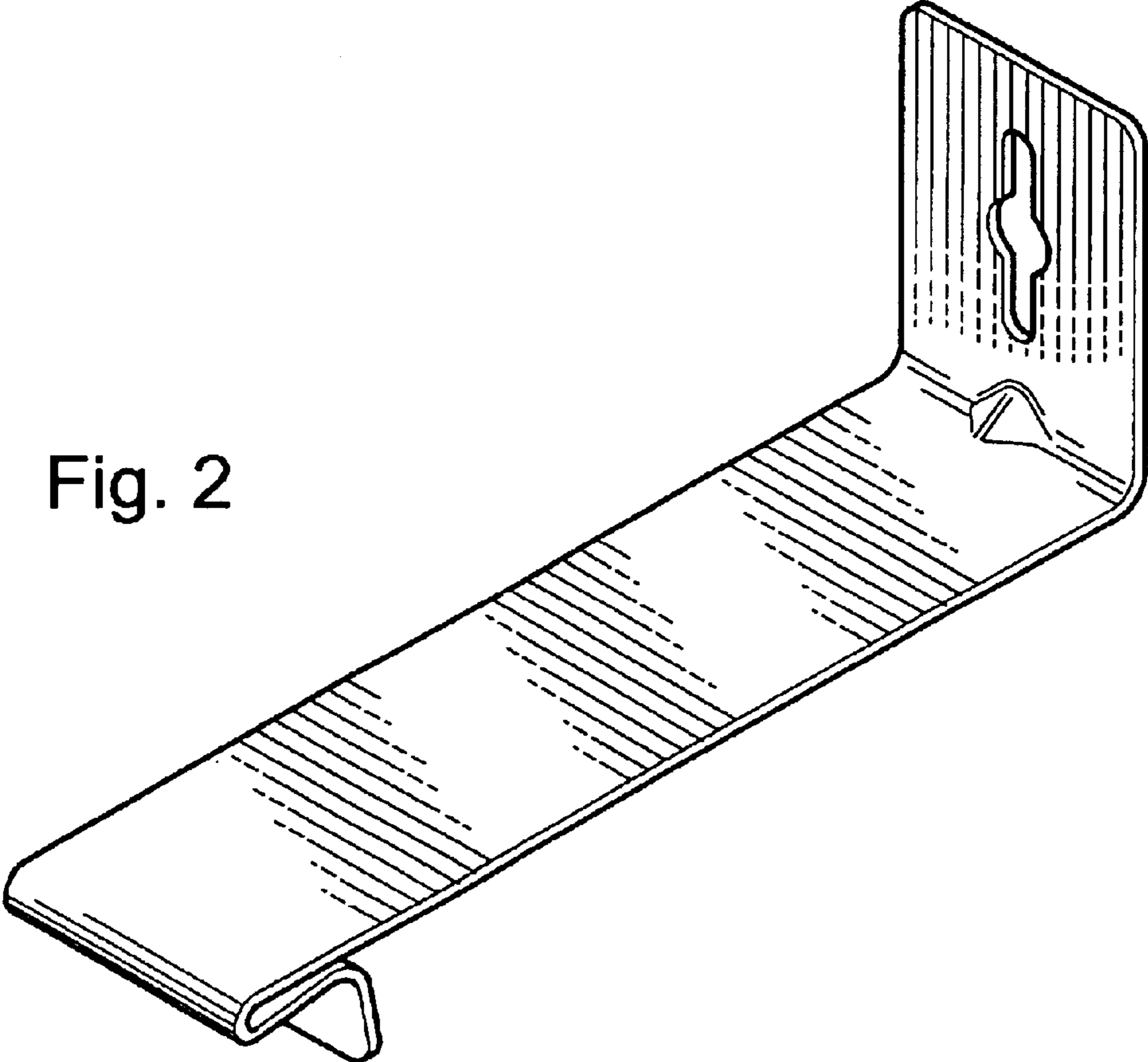


Fig. 3

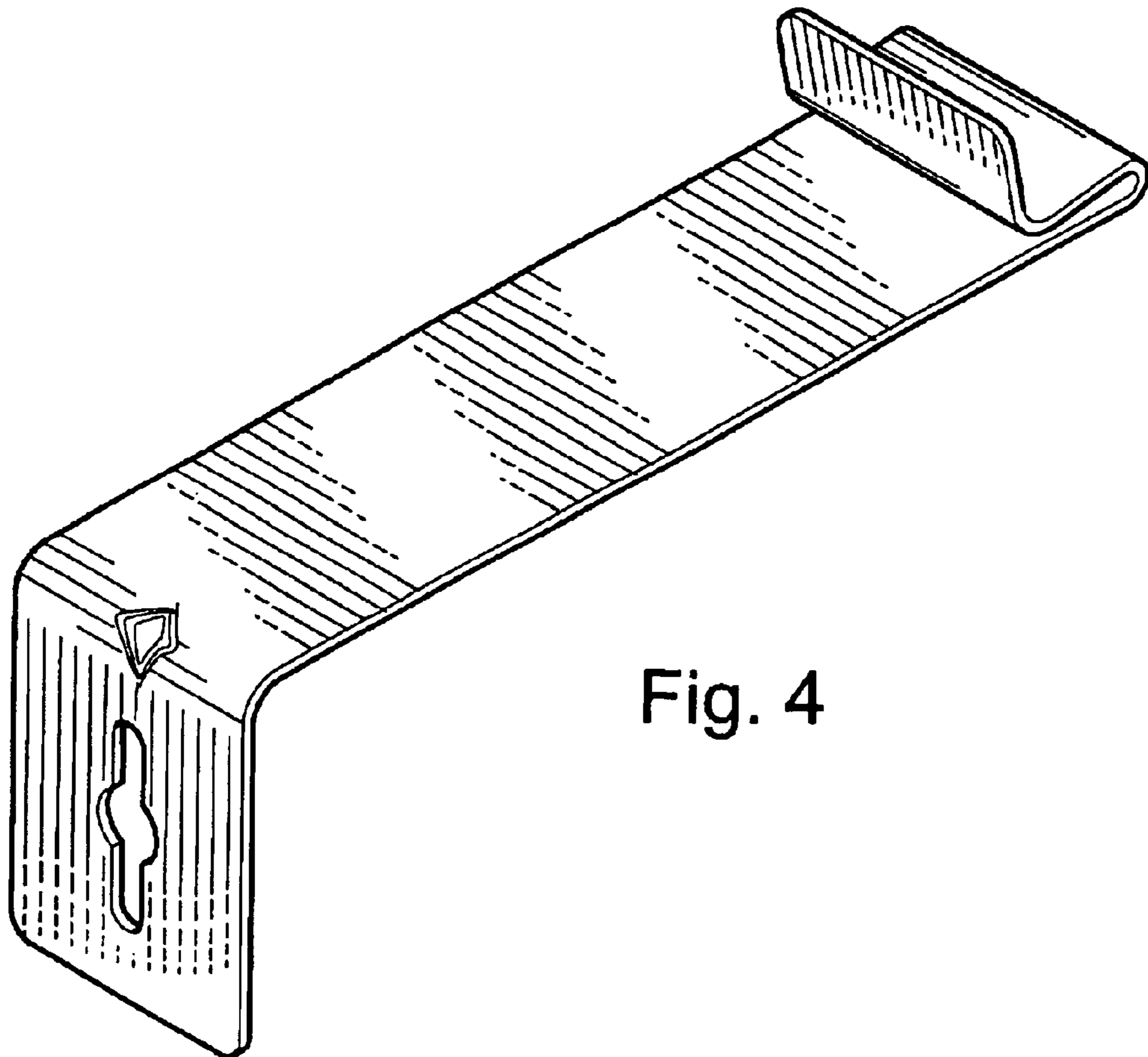
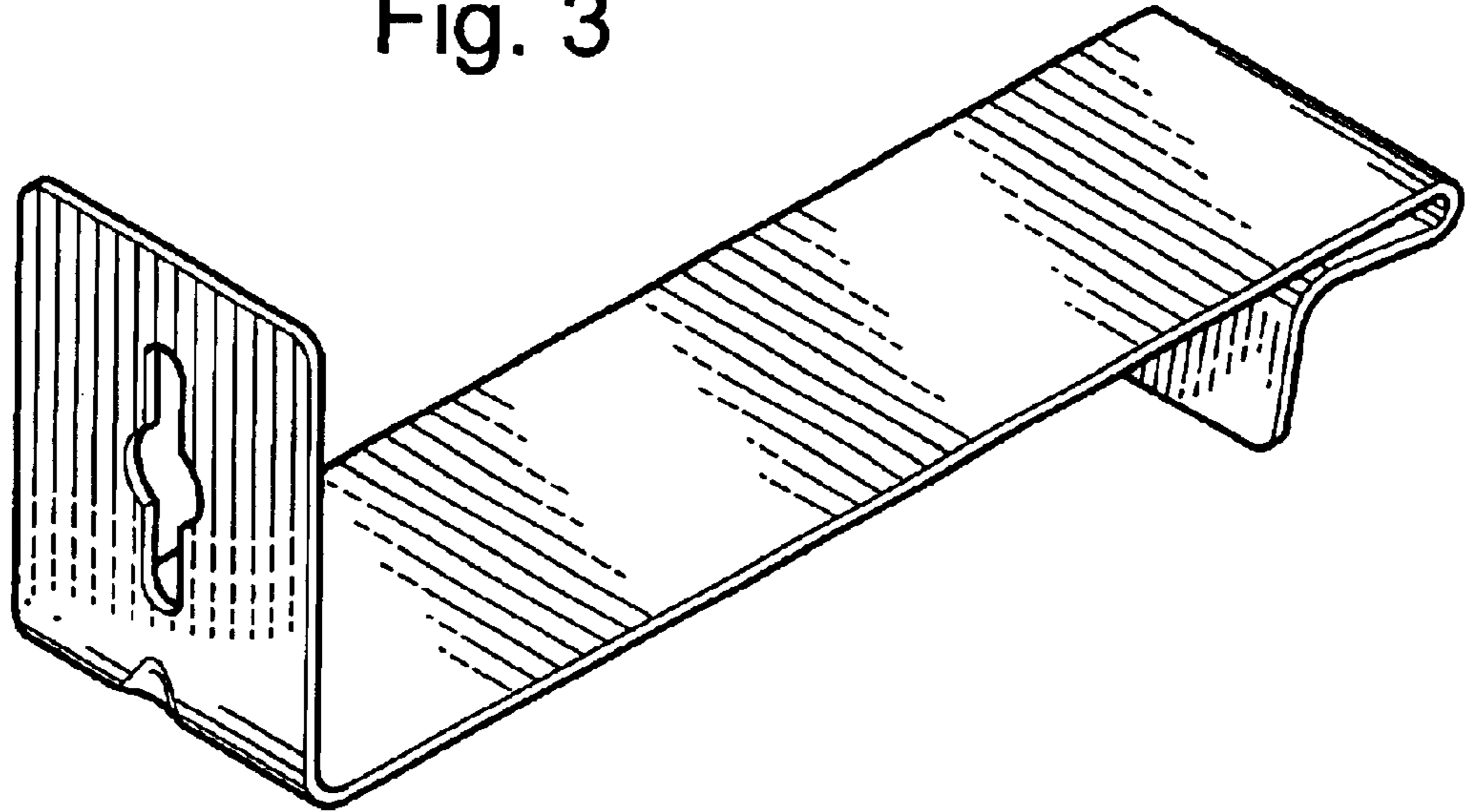


Fig. 4

Fig. 5

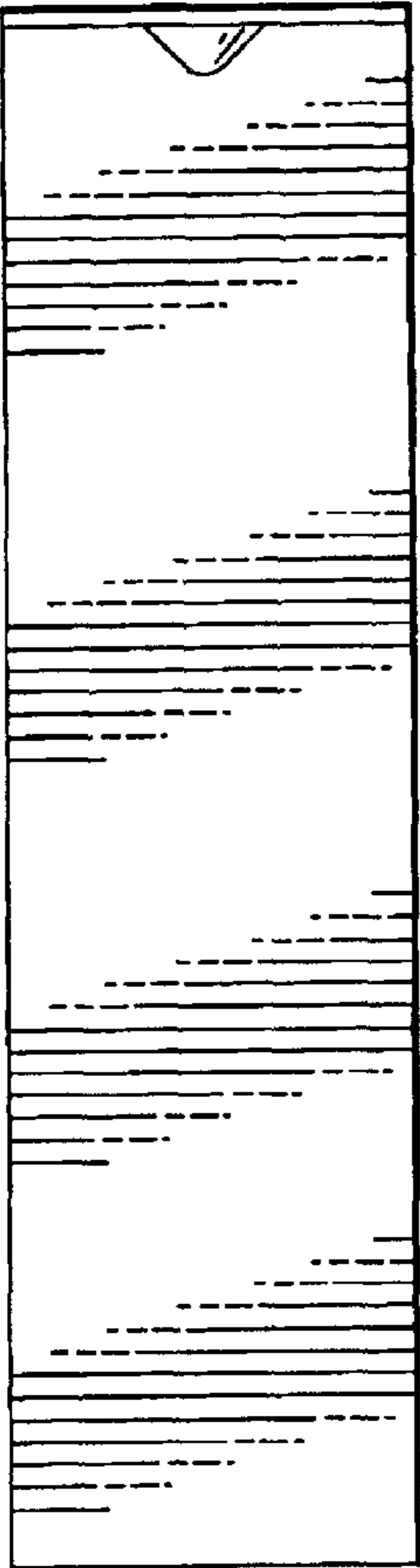


Fig. 6

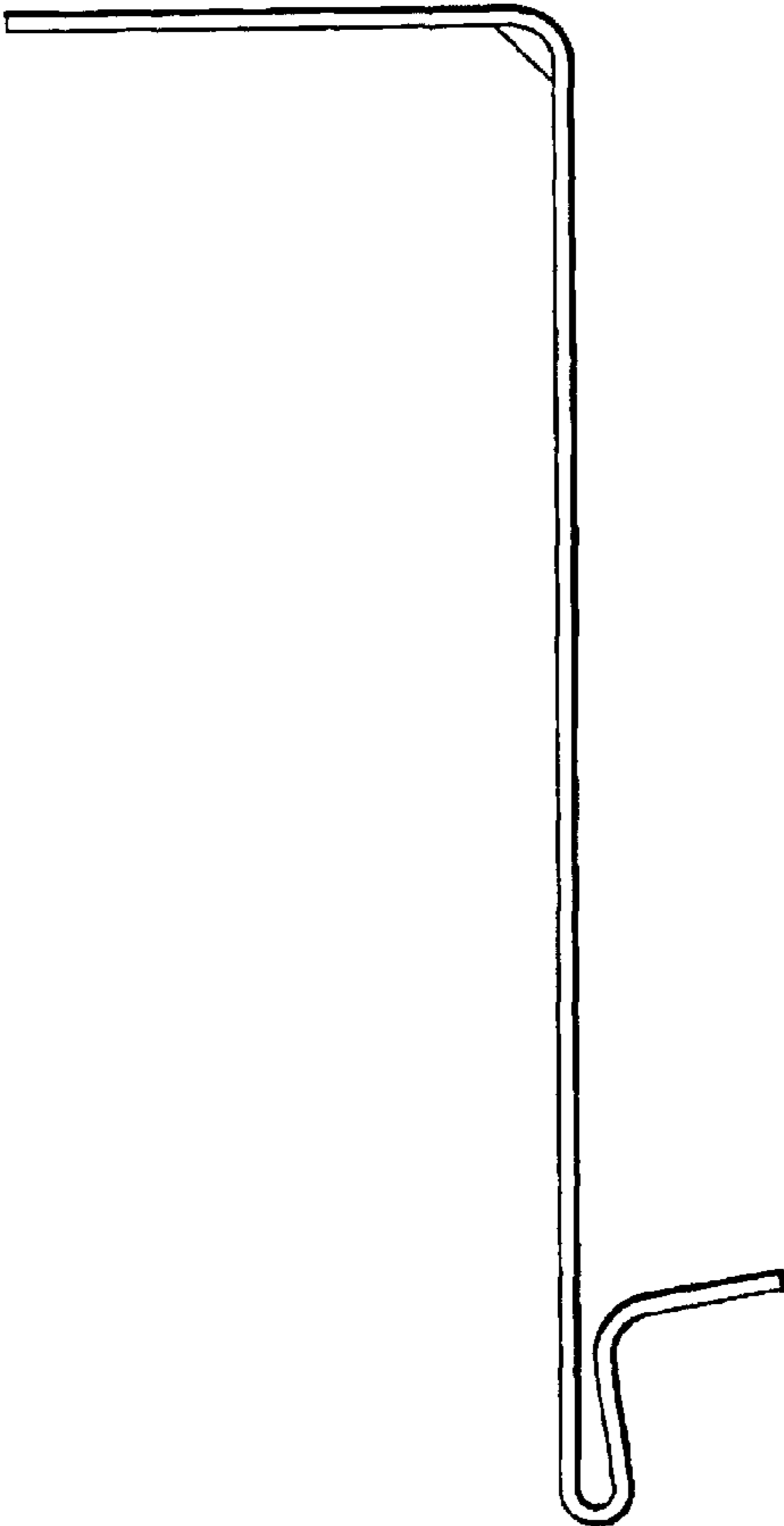
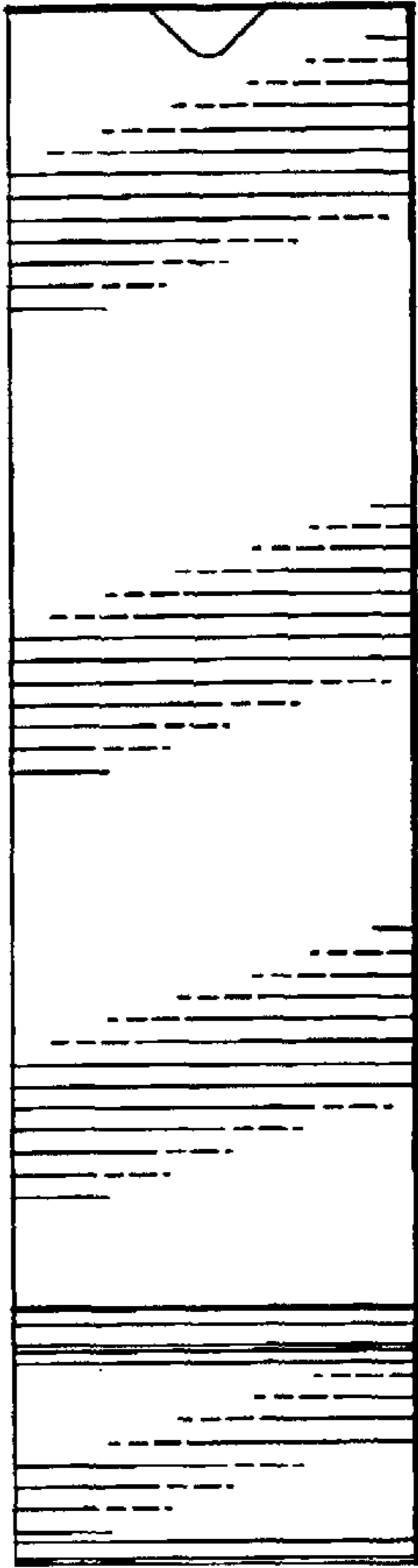


Fig. 7



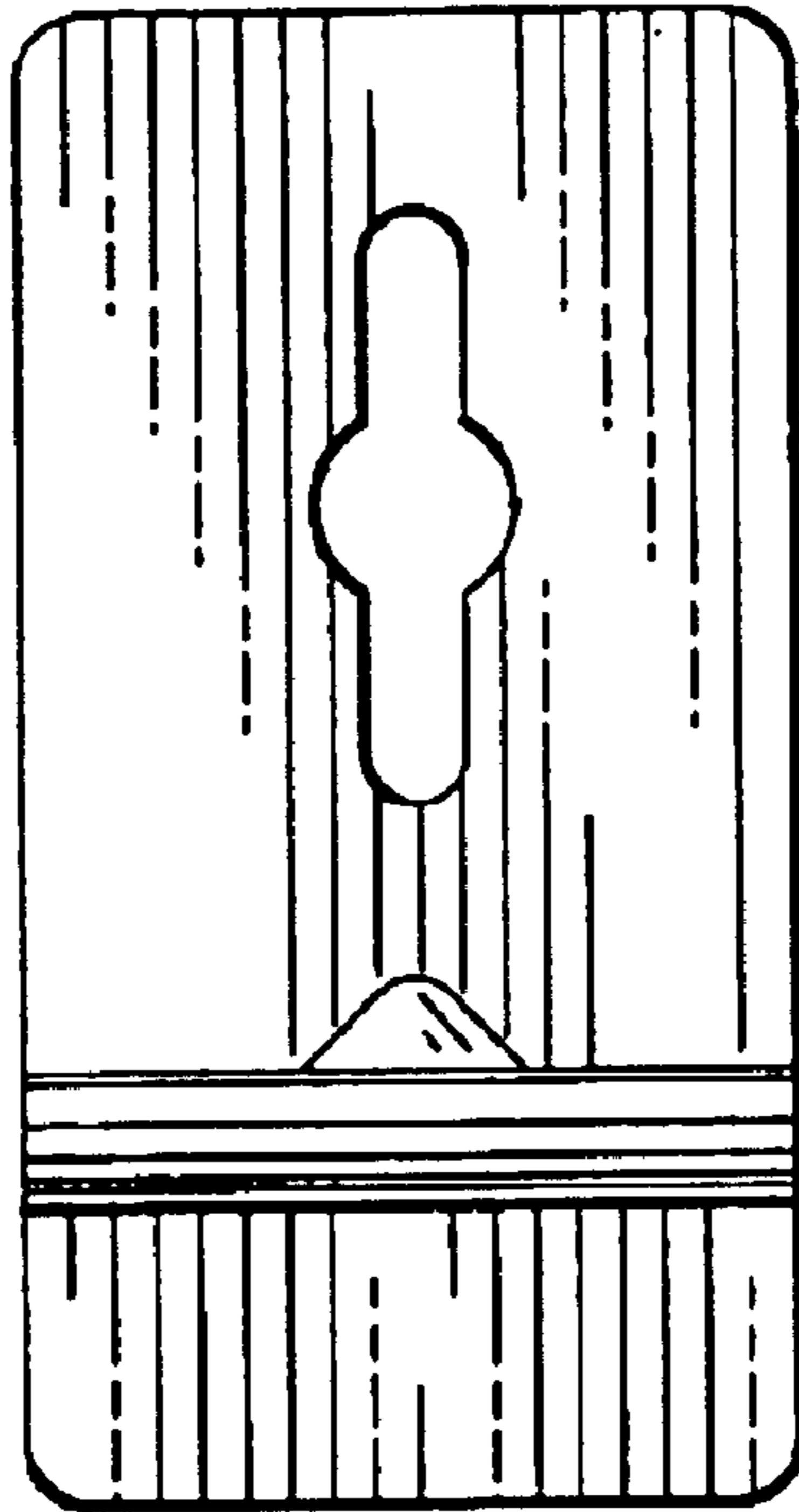


Fig. 8

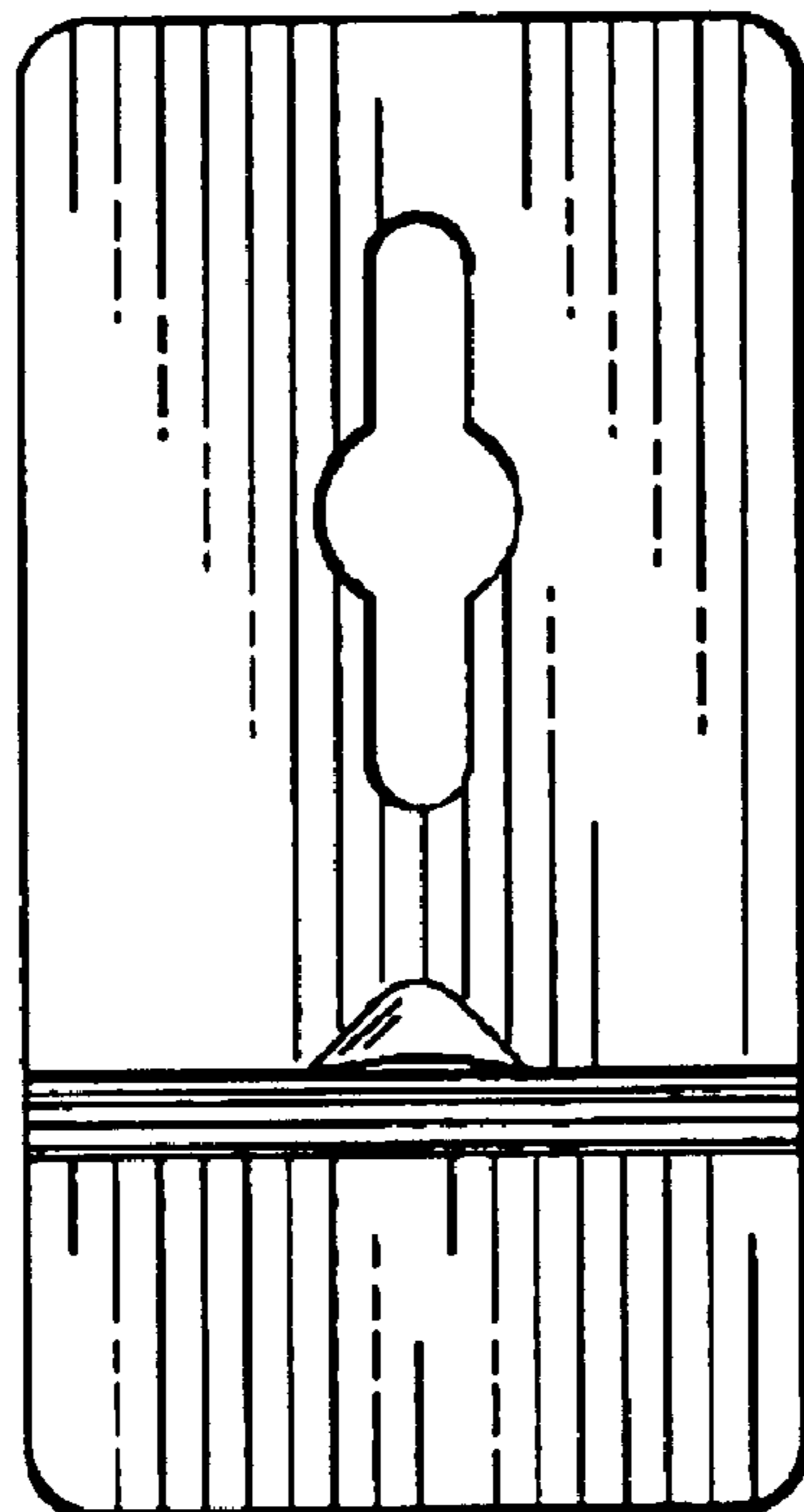


Fig. 9