



US00D494044S1

(12) **United States Design Patent** (10) **Patent No.:** **US D494,044 S**
Steele (45) **Date of Patent:** **** Aug. 10, 2004**

- (54) **CLEAT**
- (75) Inventor: **Alin E. Steele**, Novi, MI (US)
- (73) Assignee: **Steele Development Group, Ltd**, Novi, MI (US)
- (**) Term: **14 Years**
- (21) Appl. No.: **29/186,499**
- (22) Filed: **Jul. 16, 2003**
- (51) **LOC (7) Cl.** **08-05**
- (52) **U.S. Cl.** **D8/356**
- (58) **Field of Search** D8/300, 301, 349, D8/354, 356, DIG. 1; D12/317; 24/115 J, 115 R, 129 R, 130, 265 CD; 114/199, 218, 230.1; 248/499; 296/36; 410/11, 23, 107, 110, 111

(56) **References Cited**

U.S. PATENT DOCUMENTS

131,974 A	*	10/1872	Ryder	24/129 A
533,193 A	*	1/1895	Granger	114/218
1,034,222 A	*	7/1912	Dych	114/218
D192,186 S	*	2/1962	Sakhnoffsky	D8/367
3,905,322 A	*	9/1975	Peterman et al.	114/218
4,147,122 A	*	4/1979	Merry	114/218
D255,419 S	*	6/1980	Hume	D8/382
4,270,478 A	*	6/1981	Kafka et al.	114/218
4,373,463 A	*	2/1983	Beaudette	114/218
D287,097 S	*	12/1986	Nelson	D8/382
4,719,773 A	*	1/1988	Alberts	70/18
D300,721 S	*	4/1989	Whitley, II	D8/356
5,216,972 A	*	6/1993	Dufrene et al.	114/218
5,327,844 A	*	7/1994	Kress	114/218
D355,352 S	*	2/1995	Whitley, II	D8/356
5,394,816 A	*	3/1995	Kunstat	114/218
5,477,801 A	*	12/1995	Lawrence	114/218
6,113,328 A	*	9/2000	Claucherty	410/106
D432,395 S	*	10/2000	Whitley	D8/356
D438,837 S	*	3/2001	Wheatley	D12/223
D453,916 S	*	2/2002	Adams	D12/317
6,487,984 B1	*	12/2002	Pape et al.	114/218

OTHER PUBLICATIONS

“SHIP GRIP”—Photograph of Suction Cleat, undated www.darbymarine.com.
Chain Cleat, Mallard Amarine Limited—“Innovative Products for Mariners”, Jan. 6, 2003 www.mallardmarine.ca.

“The Gripper” photograph Model 03–6100, undated.
“Rail Fender Hanger” photograph and description, Stock No. 1108, 1109, Jan. 7, 2003 www.taylormadeproducts.cc/2002catalog/catalog11a.htm.
Welcome to the BoatU.S. Online Store!, Fendergrip®, www.boatus-store.com/browse/otem.asp?IID=20292—Jan. 7, 2003.
Portable Dock Ring—Davis Instruments (photograph and description), No. 987, undated www.davisnet.com.
Flip Up Ring Part # 2603W–F and Insta Cleat Part # 2705 W–F photographs and descriptions) 2 Sheets, Dock Edge, ©2002 [www.dockedge.com/Products/Cleats/2603W–F.html](http://www.dockedge.com/Products/Cleats/2603W-F.html).
Assorted Cleats, Dock Edge Inc., undated Catalog pictures and descriptions (pp. 302–306).

* cited by examiner

Primary Examiner—James Gandy
Assistant Examiner—Elizabeth Albert
(74) *Attorney, Agent, or Firm*—Young & Basile, PC

(57) **CLAIM**

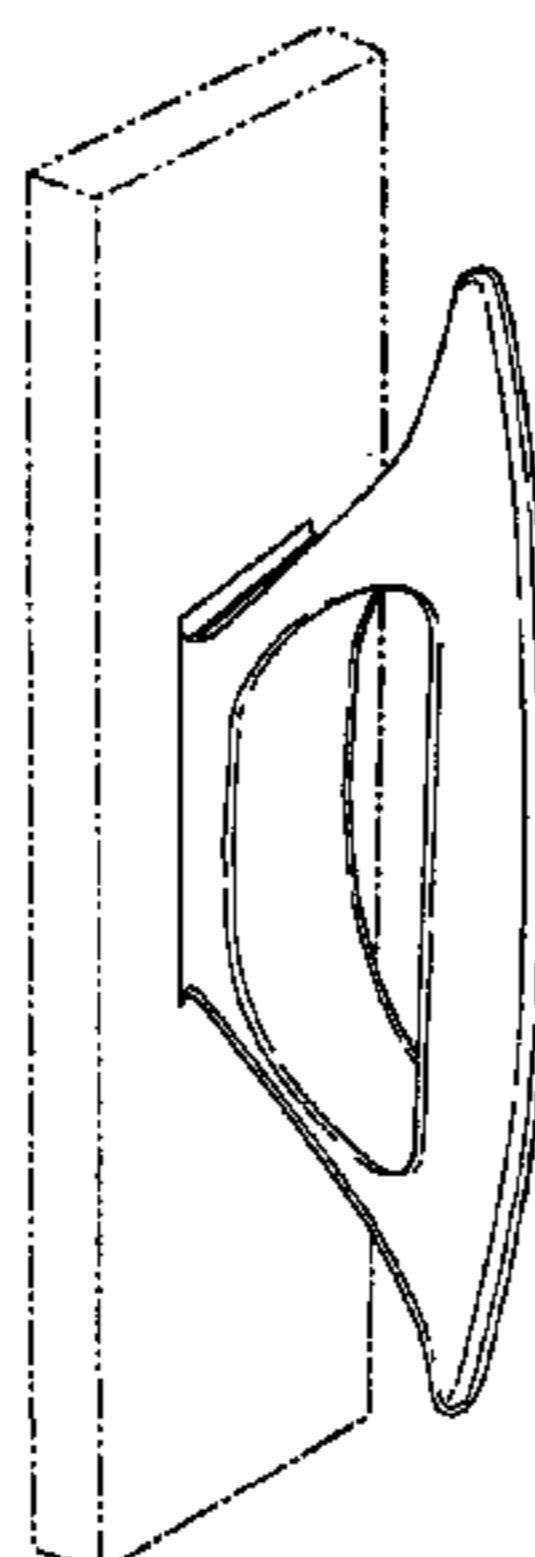
The ornamental design for a cleat, substantially as shown and described.

DESCRIPTION

FIG. 1 is a perspective view of a cleat showing my new design;
FIG. 2 is a front elevational view thereof, the back elevational view being identical;
FIG. 3 is a side elevational view thereof, the opposite side being identical;
FIG. 4 is a top plan view thereof; and,
FIG. 5 is a bottom plan view thereof.

The broken lines showing environment in the drawings are for illustrative purposes only and form no part of the claimed design.

1 Claim, 2 Drawing Sheets



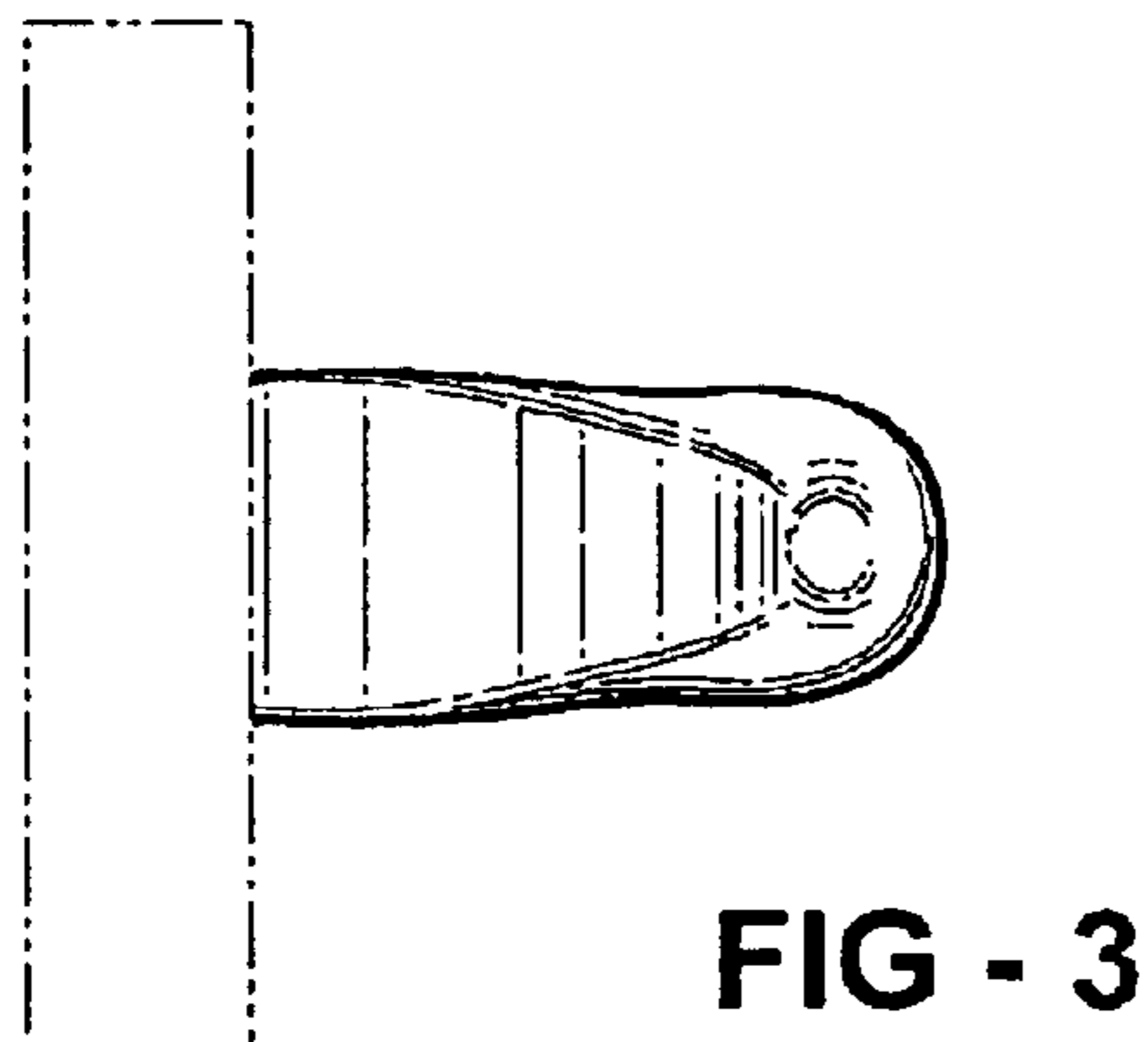
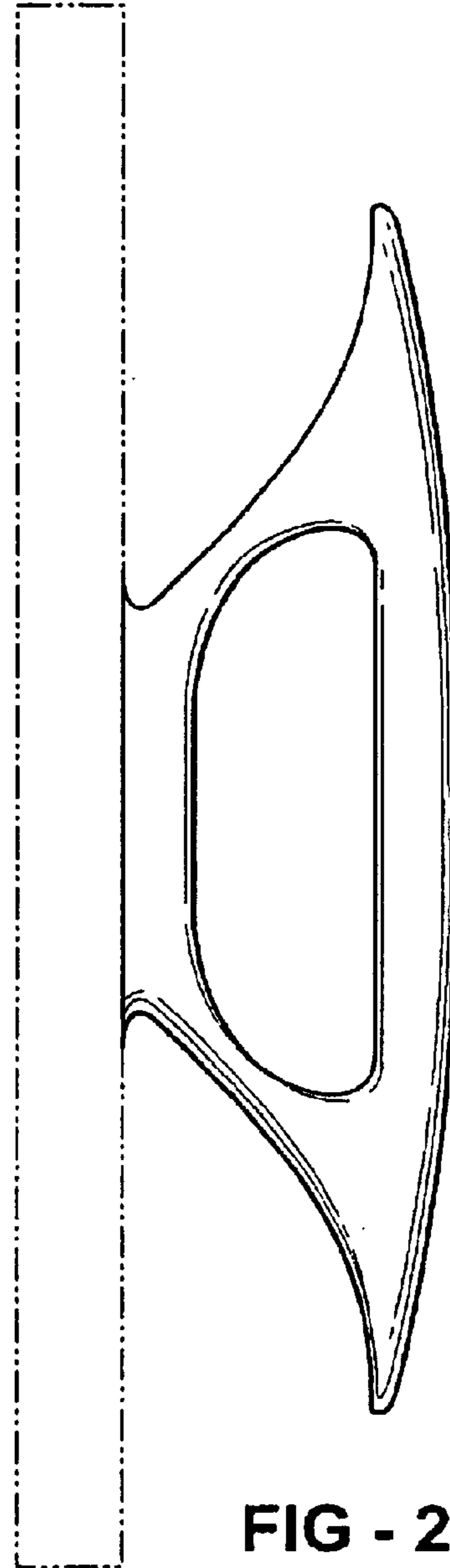
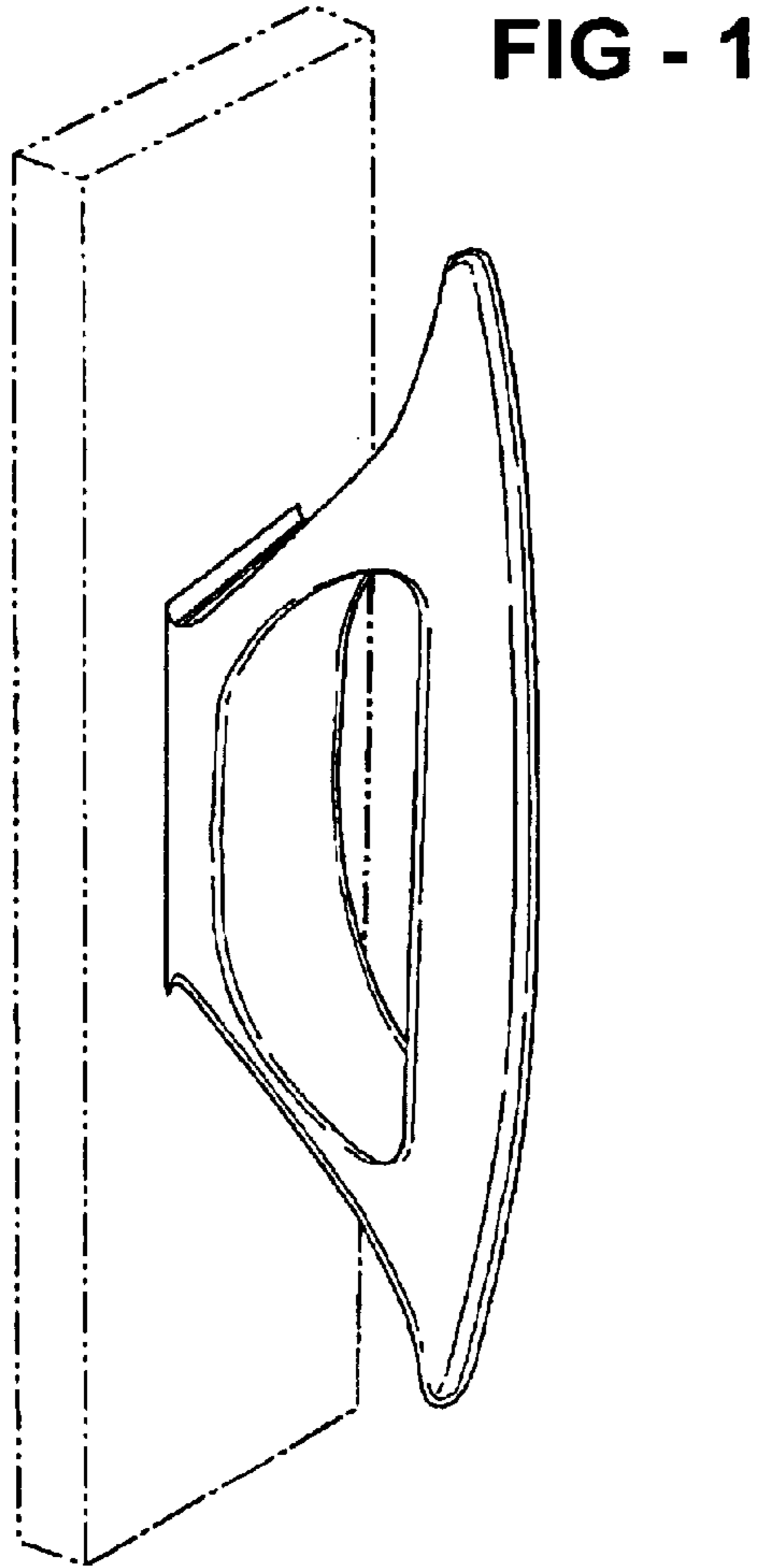


FIG - 4

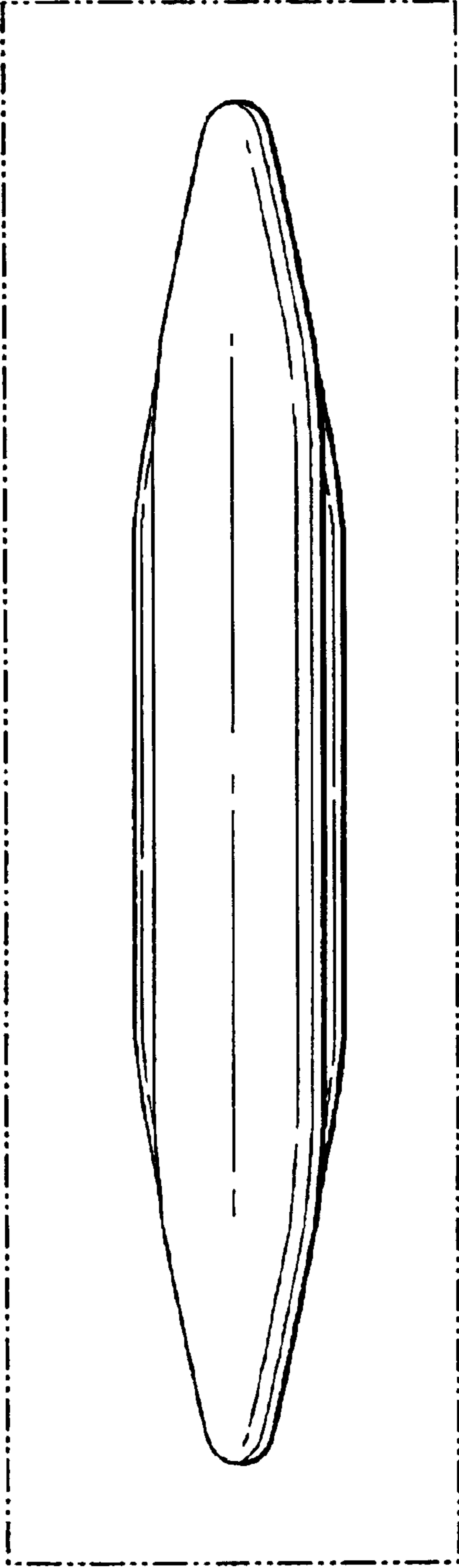


FIG - 5

