

US00D494043S1

(12) **United States Design Patent**
Neil

(10) **Patent No.: US D494,043 S**

(45) **Date of Patent: ** Aug. 10, 2004**

(54) **GROMMET**

(75) **Inventor: Gary Neil, Mississauga (CA)**

(73) **Assignee: Allseating Corporation, Mississauga (CA)**

(**) **Term: 14 Years**

(21) **Appl. No.: 29/185,035**

(22) **Filed: Jun. 23, 2003**

(51) **LOC (7) Cl. 08-05**

(52) **U.S. Cl. D8/356**

(58) **Field of Search** D8/349, 354, 356,
D8/373, 380, 400; D9/428; D19/73, 75,
95; 16/2.1, 2.2, 2.5, 108; 24/129 A, 129 D,
129 R, 129 W, 130; 144/28.1, 28.11, 28.4,
28.5, 28.6, 28.71, 28.72, 28.8; 174/65 G,
65 R, 65 SS, 151, 152 G, 153 G; 248/27.1,
56; 411/15, 182, 339

(56) **References Cited**

U.S. PATENT DOCUMENTS

2,504,194 A * 4/1950 Harrington 30/452
3,066,372 A * 12/1962 Parker 403/209
3,137,887 A * 6/1964 Mannino 16/2.1
D219,719 S * 1/1971 Fleming D19/73
D250,035 S * 10/1978 Kajiwara D19/73

D302,832 S * 8/1989 King D19/75
D310,617 S * 9/1990 Pozzi D7/538
D333,157 S * 2/1993 Kirchner D19/75
5,284,659 A * 2/1994 Cherukuri et al. 424/441
D363,702 S * 10/1995 McFadden D13/183
5,454,573 A * 10/1995 Nijland 277/606
5,742,213 A * 4/1998 Reynolds 333/131
5,997,353 A * 12/1999 Guiol 439/610
D426,153 S * 6/2000 Sagel et al. D9/428
D441,648 S * 5/2001 Gidlund et al. D9/424
6,462,275 B1 * 10/2002 Daoud 174/65 R

* cited by examiner

Primary Examiner—James Gandy

Assistant Examiner—Elizabeth Albert

(74) *Attorney, Agent, or Firm*—Miller Thomson LLP

(57) **CLAIM**

The ornamental design for the “grommet,” as shown and described.

DESCRIPTION

FIG. 1 is a front perspective view of the grommet.

FIG. 2 is a bottom perspective view of the grommet.

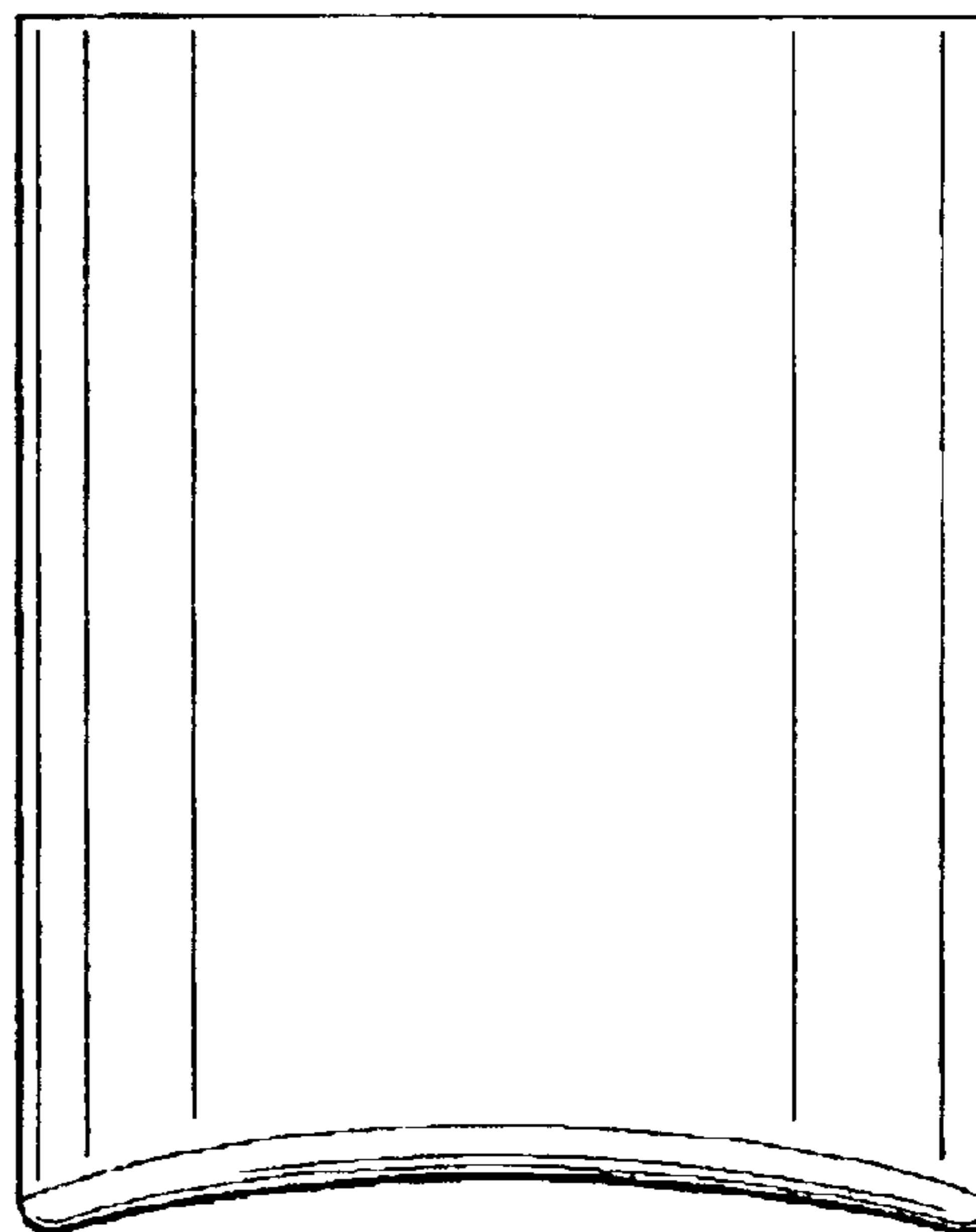
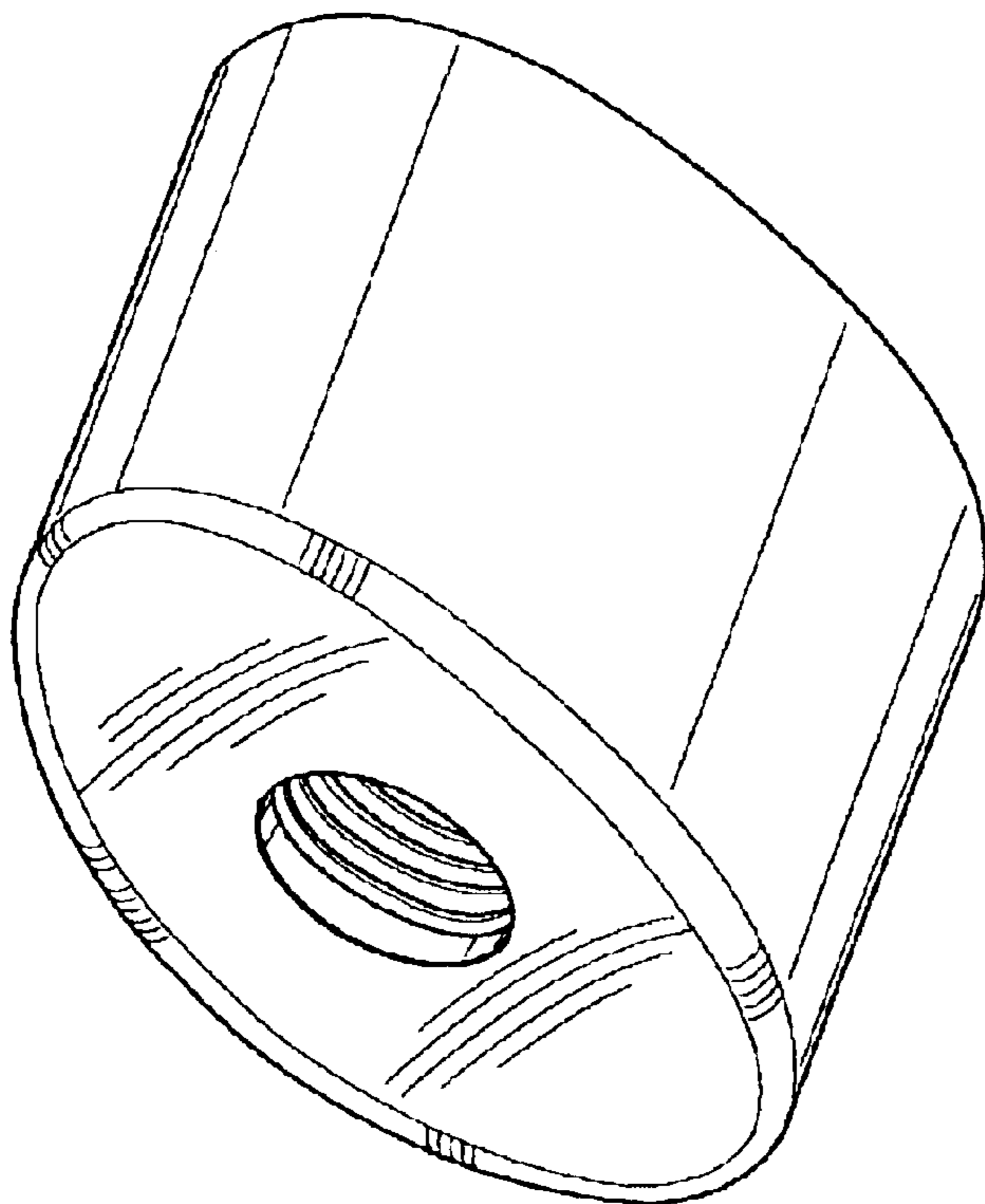
FIG. 3 is a front view of the grommet.

FIG. 4 is a side view of the grommet.

FIG. 5 is a top view of the grommet; and,

FIG. 6 is a bottom view of the grommet.

1 Claim, 3 Drawing Sheets



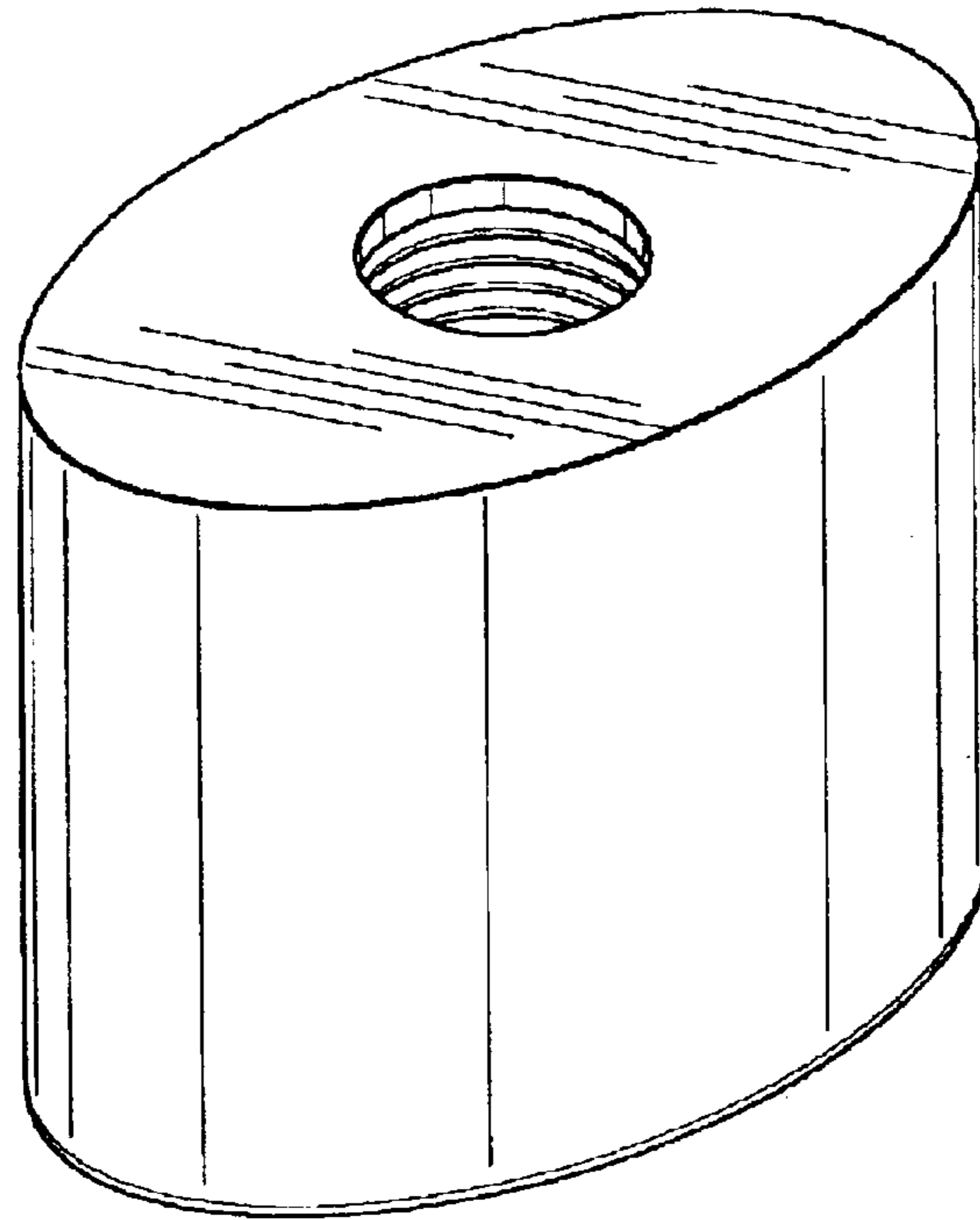


FIG. 1

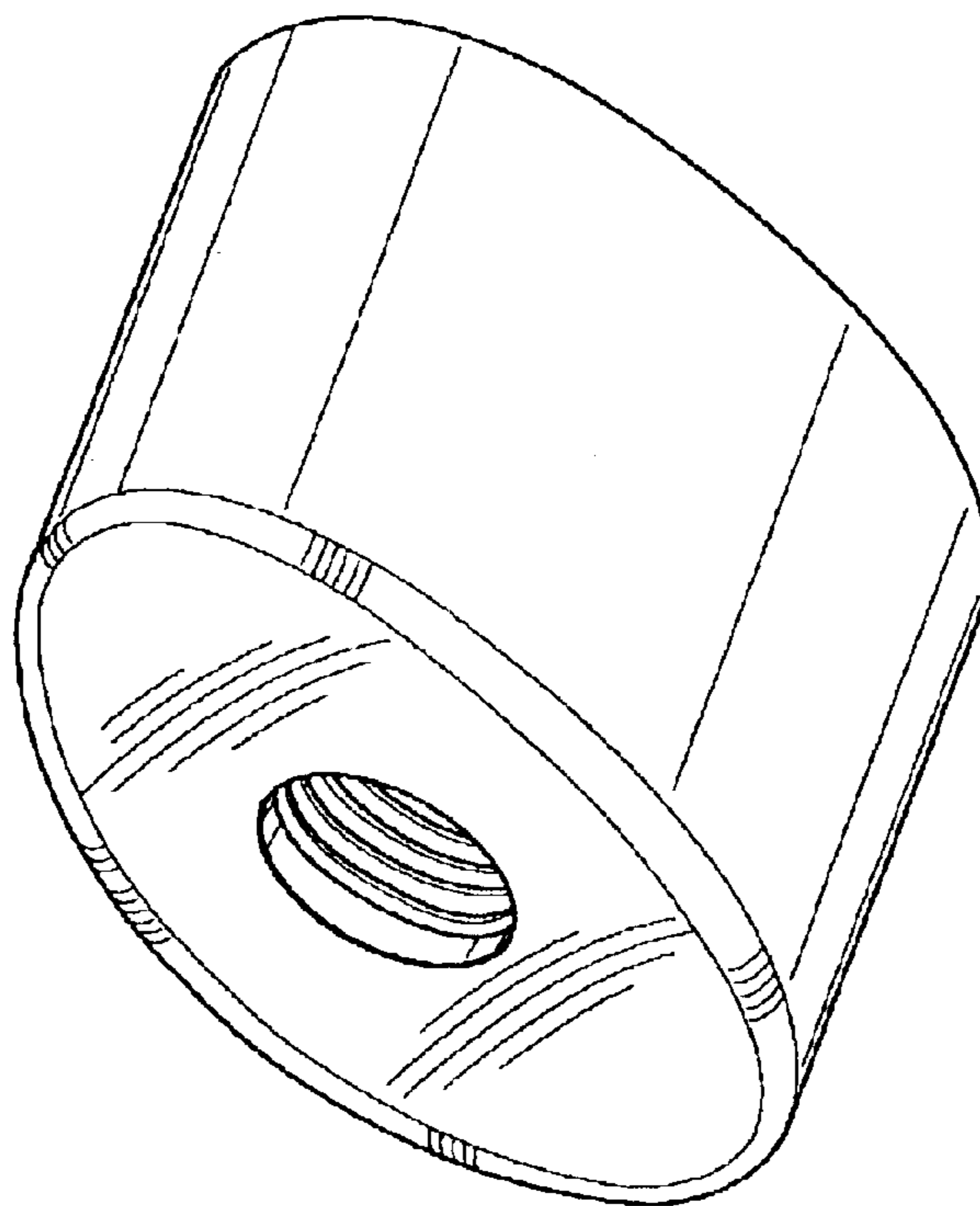


FIG. 2

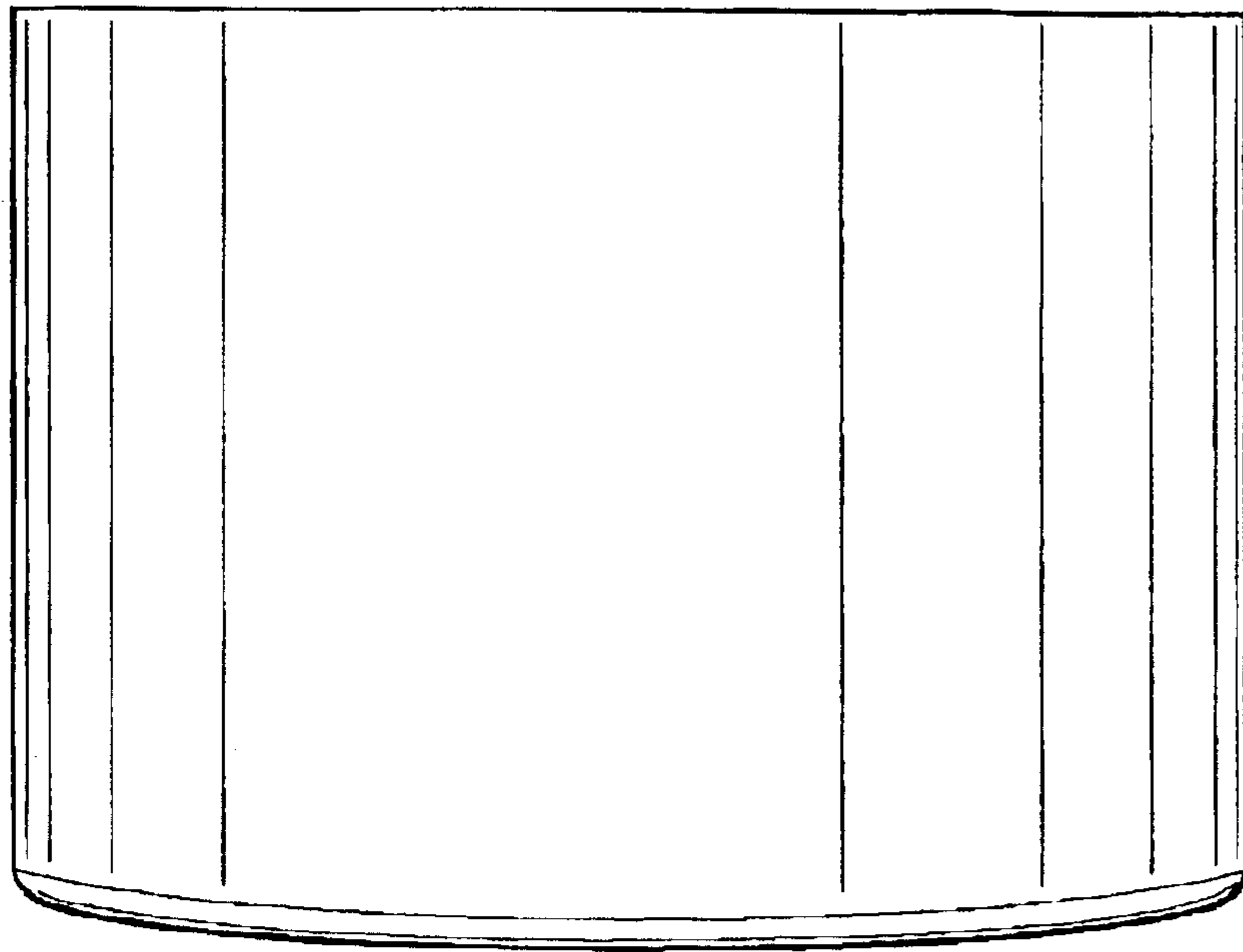


FIG. 3

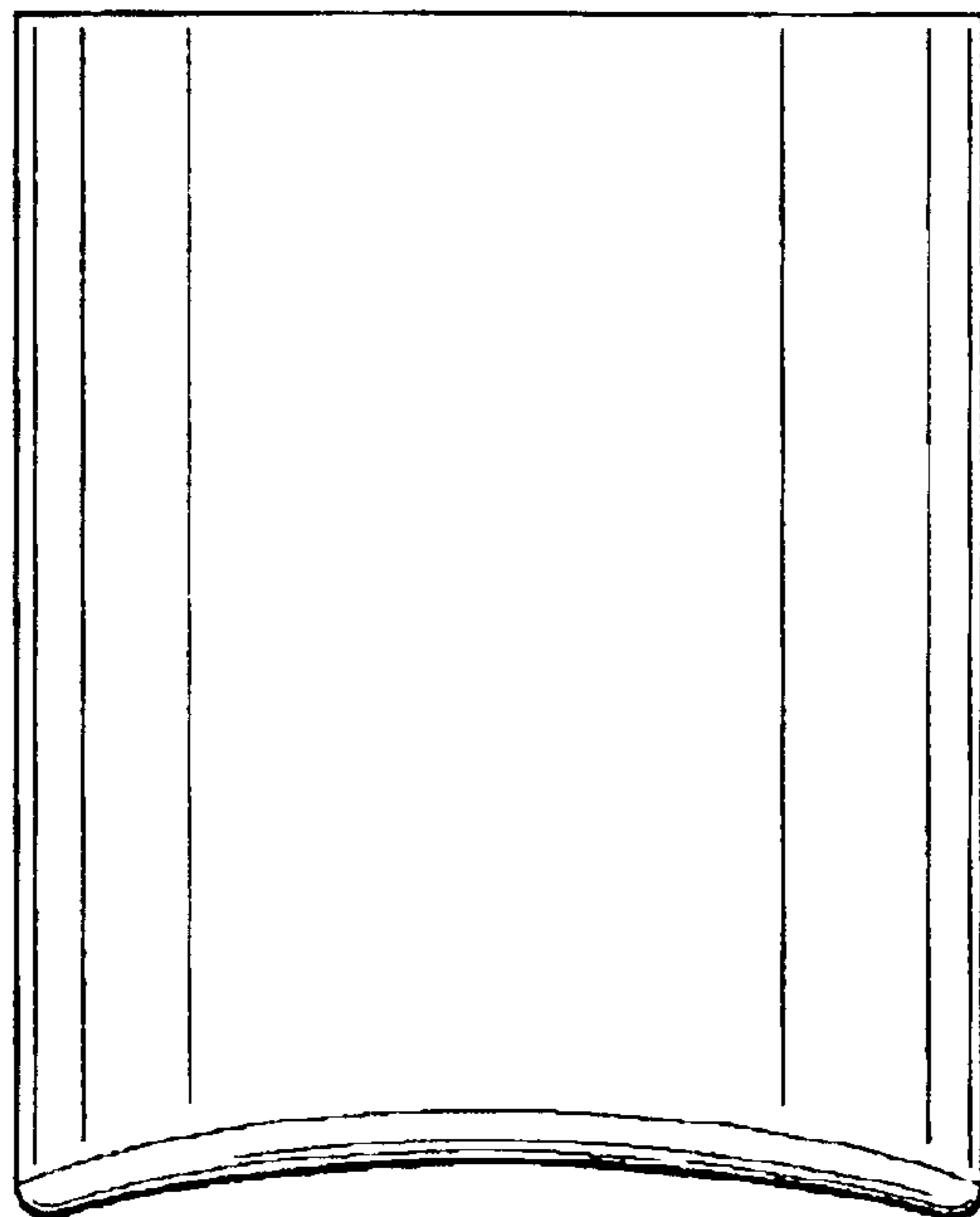


FIG. 4

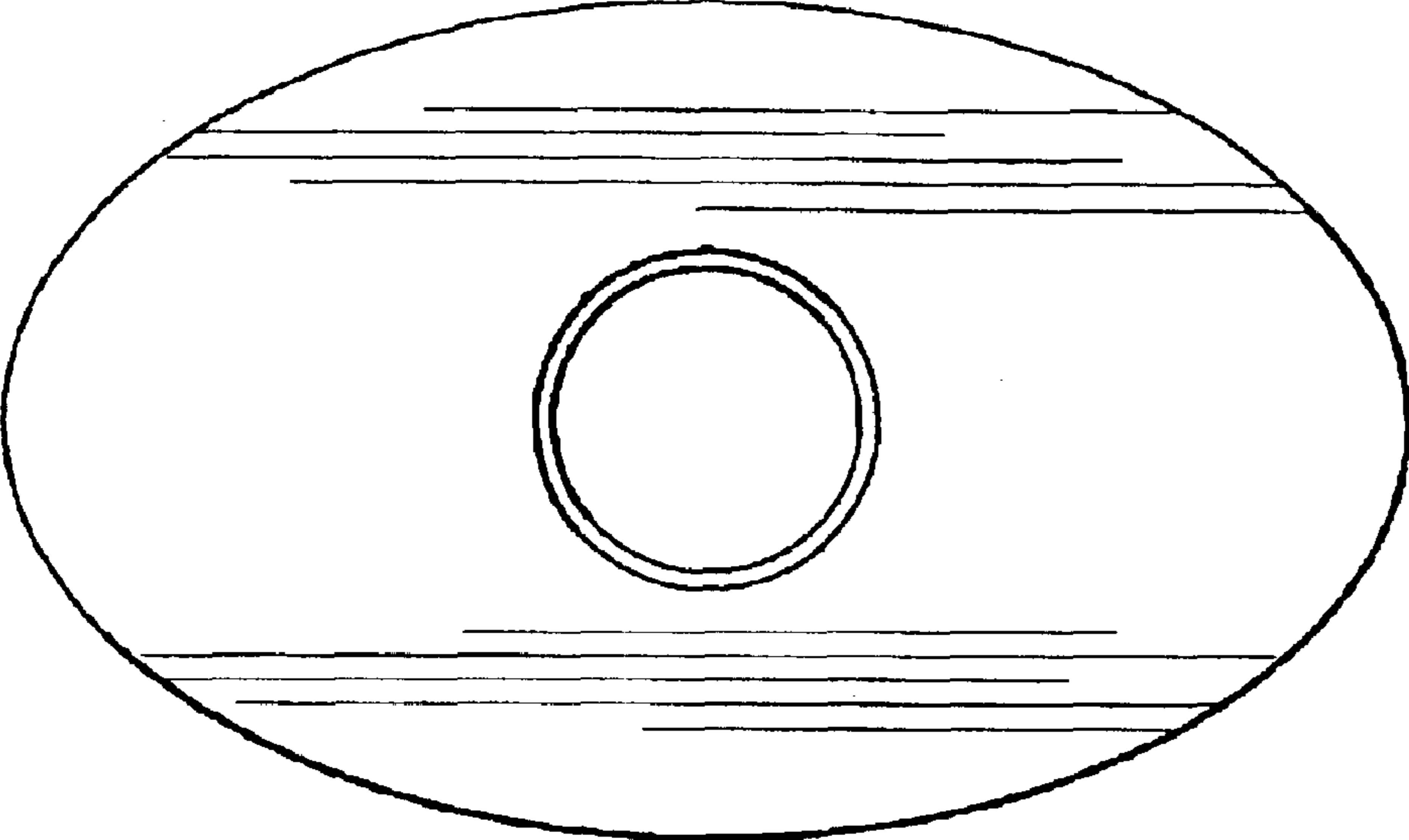


FIG. 5

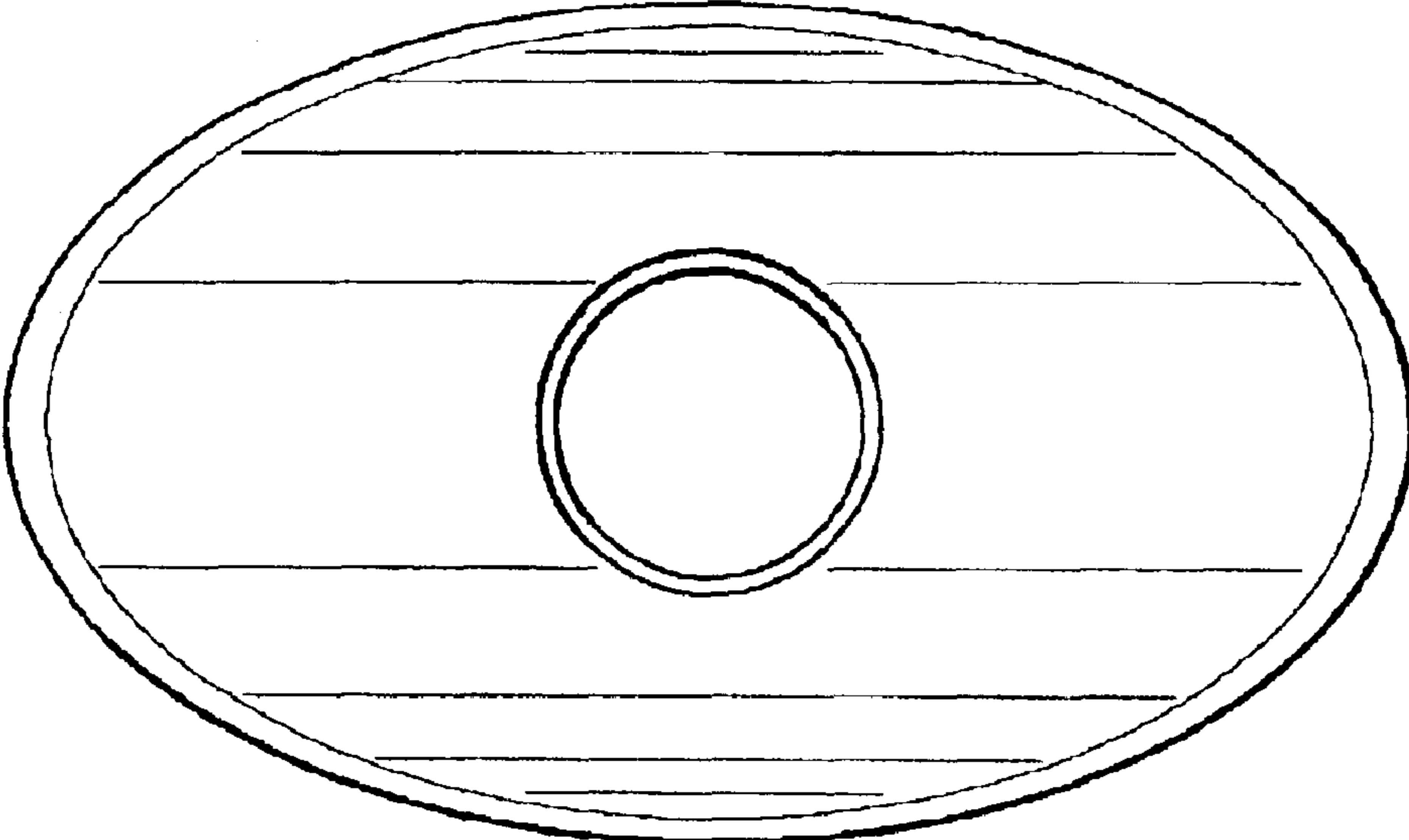


FIG. 6