

US00D494042S1

(12) **United States Design Patent**
Wright

(10) **Patent No.: US D494,042 S**

(45) **Date of Patent: ** Aug. 10, 2004**

(54) **GLASS BLOCK SPACER**

6,223,489 B1 * 5/2001 Fisher 52/308

(75) Inventor: **Brian C. Wright**, Snohomish, WA (US)

* cited by examiner

(73) Assignee: **Seattle Glass Block**, Woodinville, WA (US)

Primary Examiner—James Gandy

Assistant Examiner—Elizabeth Albert

(**) Term: **14 Years**

(74) *Attorney, Agent, or Firm*—Carter Ledyard & Milburn LLP; John M. Johnson

(21) Appl. No.: **29/180,831**

(57) **CLAIM**

(22) Filed: **Apr. 30, 2003**

The ornamental design for a glass block spacer, substantially as shown and described.

(51) **LOC (7) Cl. 08-05**

DESCRIPTION

(52) **U.S. Cl. D8/354**

FIG. 1 is a front perspective view of the glass block spacer showing my design in use;

(58) **Field of Search** D8/349, 354, 373, D8/380; D25/60, 102, 119, 121, 122, 123, 199; 52/100, 306, 307, 308, 474, 479, DIG. 17

FIG. 2 is a fragmentary perspective view of the glass block spacer of my design;

(56) **References Cited**

FIG. 3 is a front elevational view thereof on an enlarged scale;

U.S. PATENT DOCUMENTS

FIG. 4 is a rear elevational view thereof on an enlarged scale;

4,986,048	A	*	1/1991	McMarlin	52/306
5,031,372	A	*	7/1991	McCluer	52/307
D323,896	S	*	2/1992	Alcazar	D25/119
D325,640	S	*	4/1992	Ballstadt	D25/119
D326,329	S	*	5/1992	Ballstadt	D25/122
D331,469	S	*	12/1992	McMarlin	D25/119
5,430,985	A	*	7/1995	Coleman	52/308
5,485,702	A	*	1/1996	Sholton	52/308
D368,533	S		4/1996	Wright		
D379,233	S		5/1997	Wright		
5,740,646	A	*	4/1998	Wirkus et al.	52/308
5,806,263	A	*	9/1998	Coleman	52/306
D402,535	S		12/1998	Wright		
5,845,443	A	*	12/1998	Wirkus et al.	52/308

FIG. 5 is a fragmentary right side elevational view thereof on an enlarged scale;

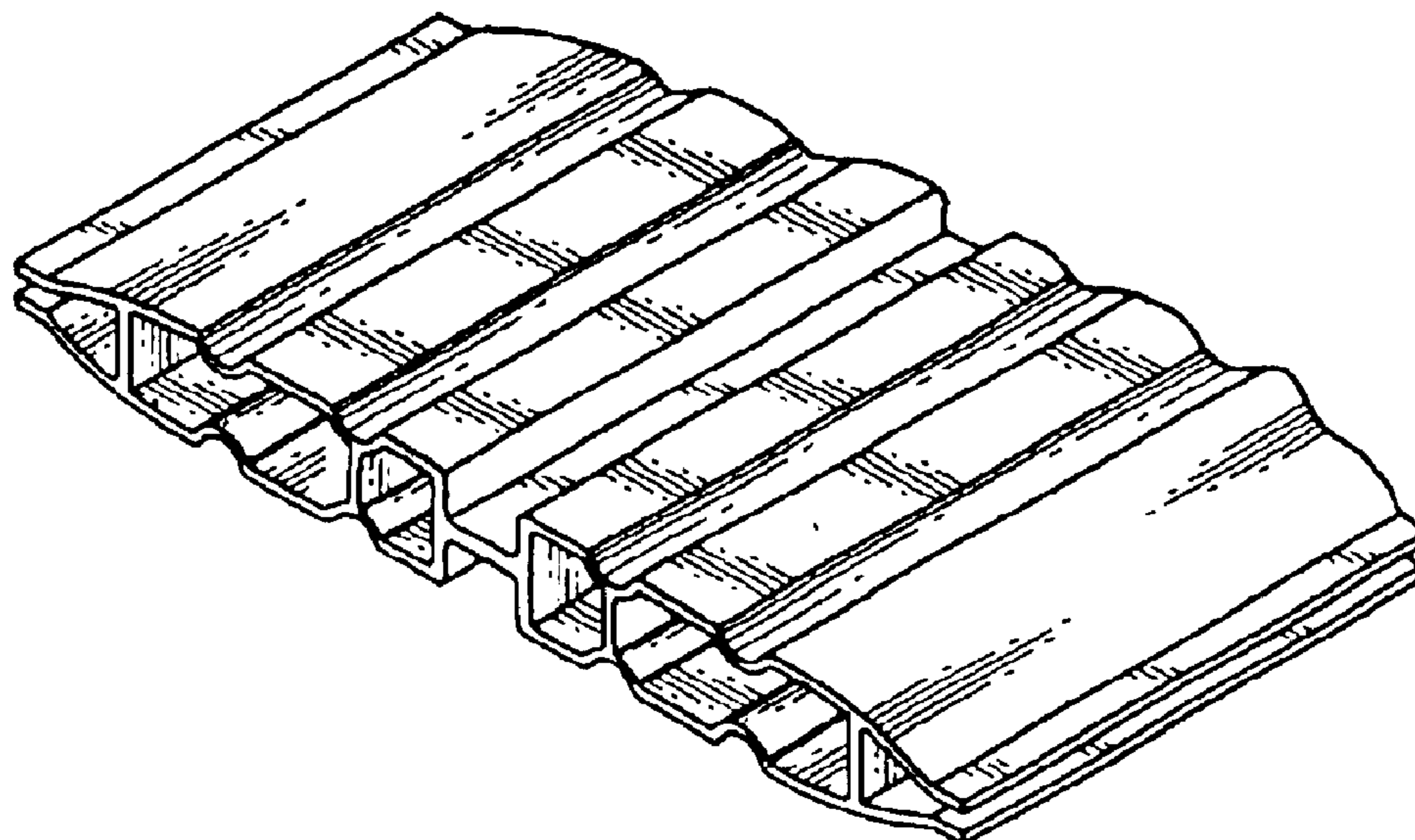
FIG. 6 is a fragmentary left side elevational view thereof on an enlarged scale;

FIG. 7 is a fragmentary top plan view thereof on an enlarged scale; and,

FIG. 8 is a fragmentary bottom plan view thereof on an enlarged scale.

The broken lines showing environment in the drawings are for illustrative purposes only and form no part of the claimed design.

1 Claim, 2 Drawing Sheets



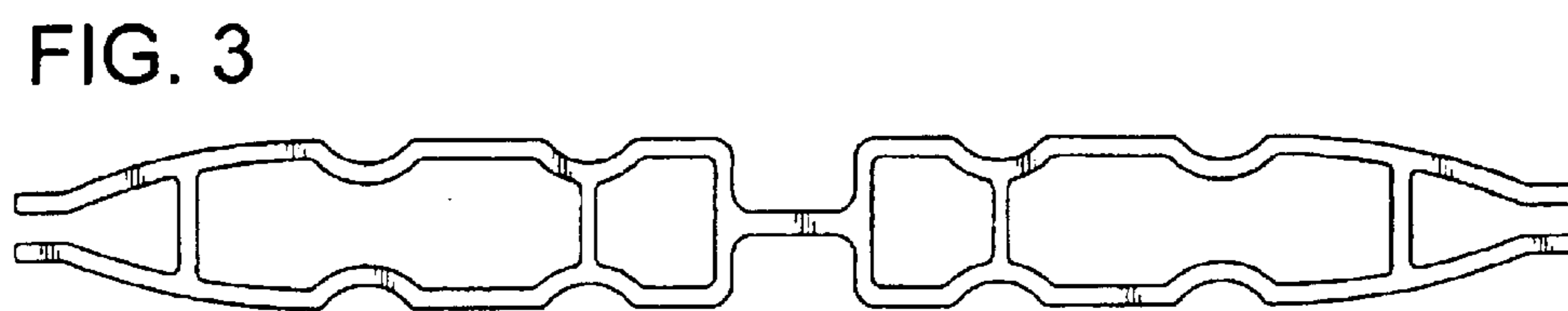
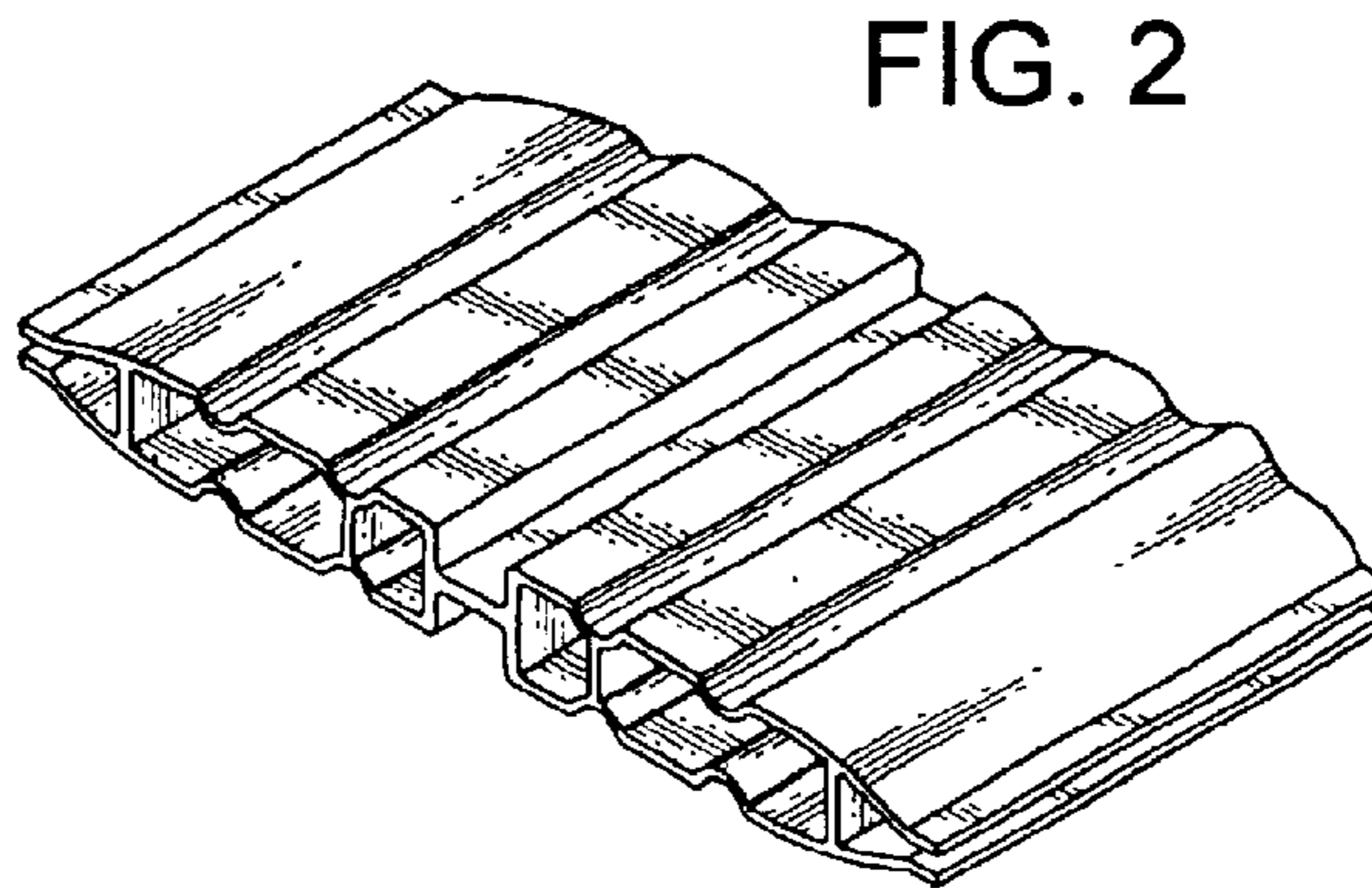
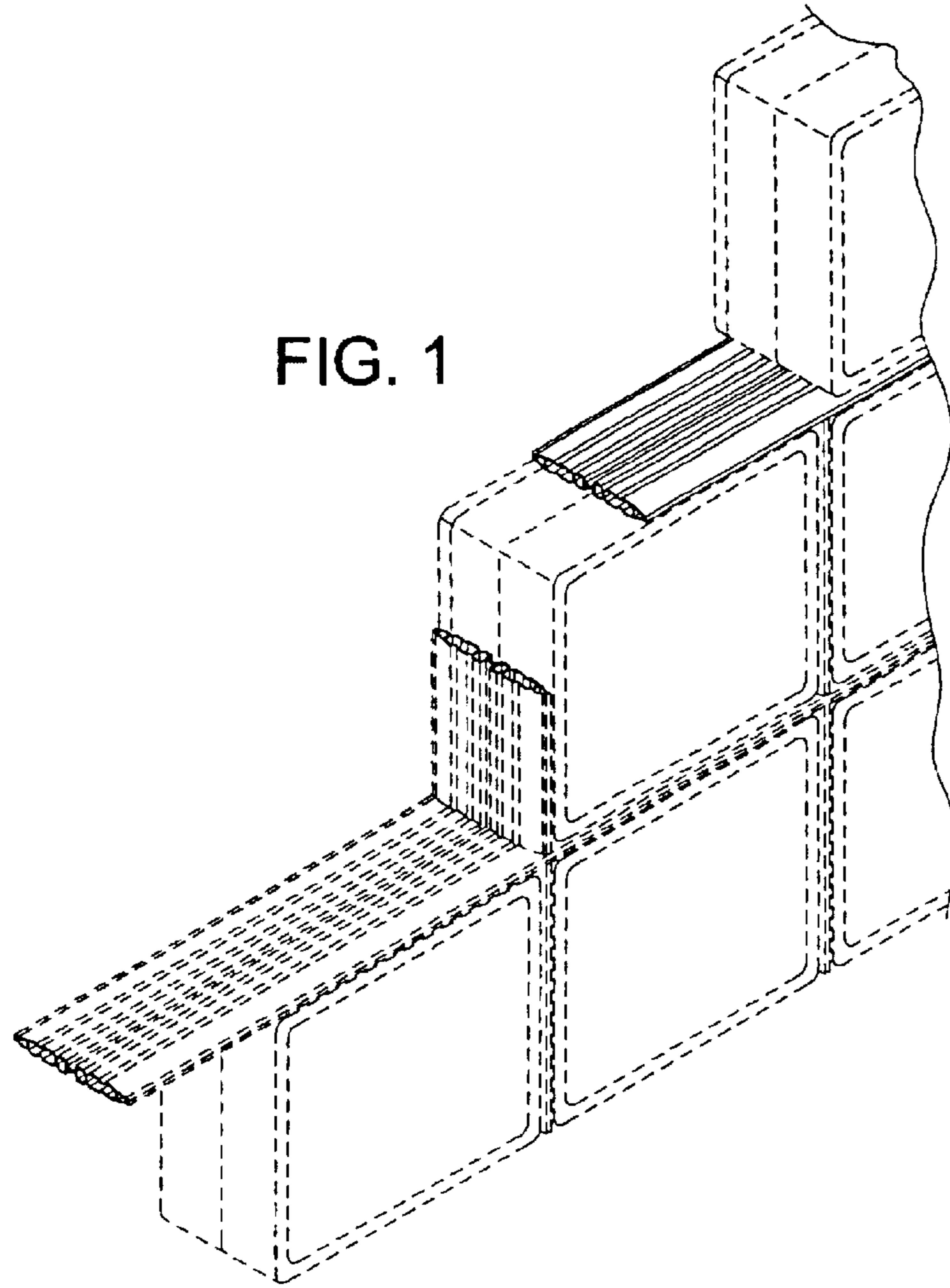


FIG. 4

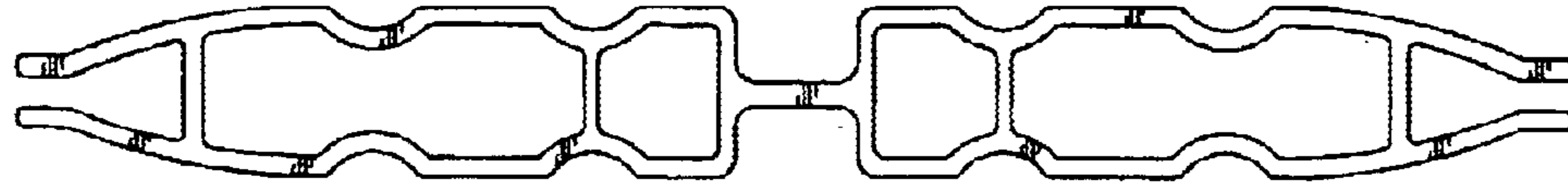


FIG. 5

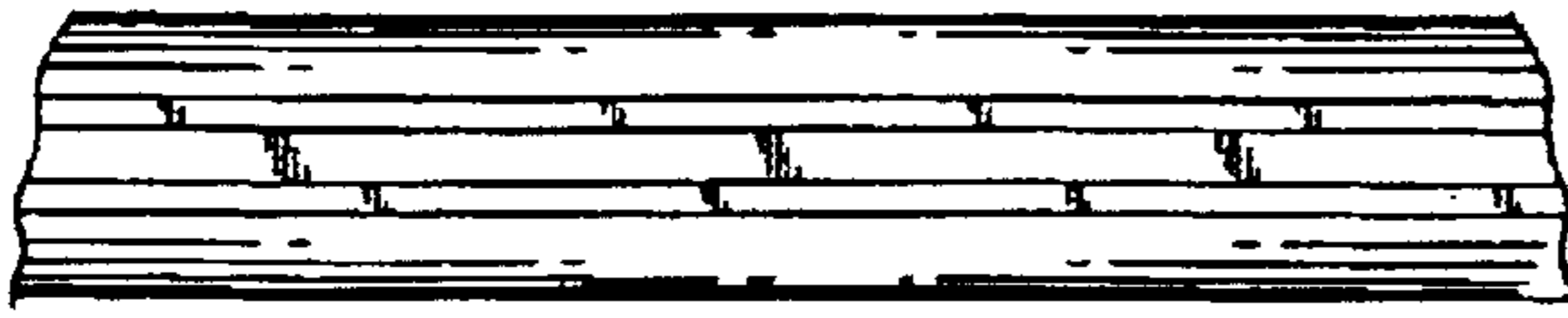


FIG. 6

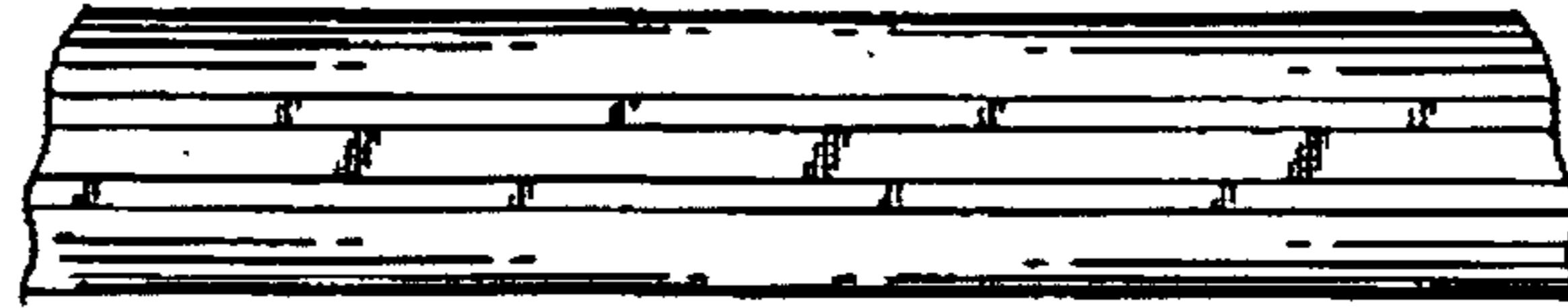


FIG. 7

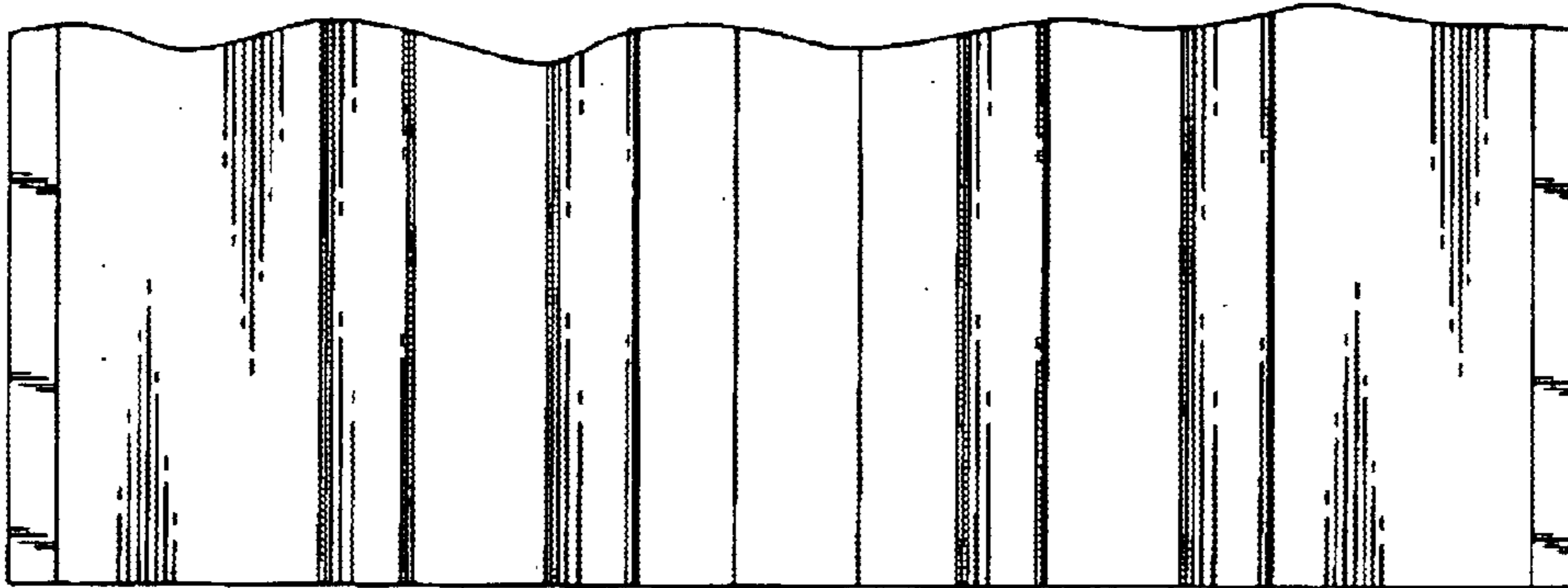


FIG. 8

