

US00D494041S1

(12) **United States Design Patent** (10) **Patent No.:** **US D494,041 S**
Vito (45) **Date of Patent:** **** Aug. 10, 2004**

(54) **LOCK ASSEMBLY COMPONENT**
(76) **Inventor:** **Robert A. Vito**, 1434 Sugartown Rd.,
Berwyn, PA (US) 19312
(**) **Term:** **14 Years**
(21) **Appl. No.:** **29/169,013**
(22) **Filed:** **Oct. 11, 2002**
(51) **LOC (7) Cl.** **08-07**
(52) **U.S. Cl.** **D8/343**
(58) **Field of Search** D8/330, 331, 336,
D8/339, 343, 344; 70/207, 209, 210, 218,
225, 226, 227, 233, 234, 237, 252, 431,
448, 51-54

5,675,999 A 10/1997 Carlstrom
5,706,679 A 1/1998 Zane et al.
5,713,225 A * 2/1998 Smith 70/51
4,736,921 A 4/1998 Zane et al.
5,794,462 A 8/1998 Steele et al.
5,901,588 A 5/1999 Frost
5,937,678 A 8/1999 Kuo
6,006,555 A 12/1999 Shu-Fen
6,109,074 A 8/2000 Du
6,192,720 B1 2/2001 Kan
6,263,709 B1 7/2001 Kemery et al.
6,321,961 B1 11/2001 McDaid
6,422,442 B1 7/2002 McDaid
6,430,973 B1 8/2002 Huang
6,467,315 B1 10/2002 Edmondson
D472,450 S * 4/2003 Vito D8/331
6,619,084 B2 * 9/2003 Kuo 70/233

* cited by examiner

(56) **References Cited**
U.S. PATENT DOCUMENTS

153,312 A 7/1874 Broome et al.
596,237 A * 12/1897 Damon 70/233
1,305,563 A * 6/1919 Poland 70/226
1,337,568 A 4/1920 Randall et al.
1,477,777 A 12/1923 Shek
1,503,210 A 7/1924 Shannon
3,091,011 A 5/1963 Campbell
3,678,717 A 7/1972 Eaton
3,754,418 A 8/1973 Miller
3,754,420 A 8/1973 Ollerich
3,800,570 A 4/1974 Kaplan
3,838,585 A 10/1974 Foote
3,924,426 A 12/1975 Zane et al.
3,959,995 A 6/1976 Fletcher
4,155,231 A 5/1979 Zane et al.
4,719,773 A 1/1988 Alberts
4,850,207 A 7/1989 Ylven
4,896,519 A 1/1990 Pitts
5,010,746 A 4/1991 Zane et al.
5,092,142 A 3/1992 Zane et al.
5,133,568 A 7/1992 Balterman
5,194,845 A * 3/1993 Sirmon et al. 70/233
D355,581 S * 2/1995 Zane et al. D8/331
5,440,904 A 8/1995 Su
5,505,064 A 4/1996 Wang
5,622,066 A * 4/1997 Shallis 70/51
5,647,520 A 7/1997 McDaid

Primary Examiner—Prabhakar Deshmukh
(74) *Attorney, Agent, or Firm*—Volpe & Koenig, P.C.

(57) **CLAIM**

The ornamental design for a lock assembly component, as shown and described.

DESCRIPTION

FIG. 1 is a perspective view of a lock assembly component according to my new design;
FIG. 2 is a second perspective view of the lock assembly component of FIG. 1;
FIG. 3 is a left-side elevational view of the lock assembly component of FIG. 1, the right-side elevational view being a mirror image thereof;
FIG. 4 is a front elevational view of the lock assembly component of FIG. 1, the rear elevational view being a mirror image thereof;
FIG. 5 is a top plan view of the lock assembly component of FIG. 1; and,
FIG. 6 is a bottom plan view of the lock assembly component of FIG. 1.
The broken lines in FIG. 1 represent environment and are for illustrative purposes only and do not constitute part of the claimed design.

1 Claim, 2 Drawing Sheets

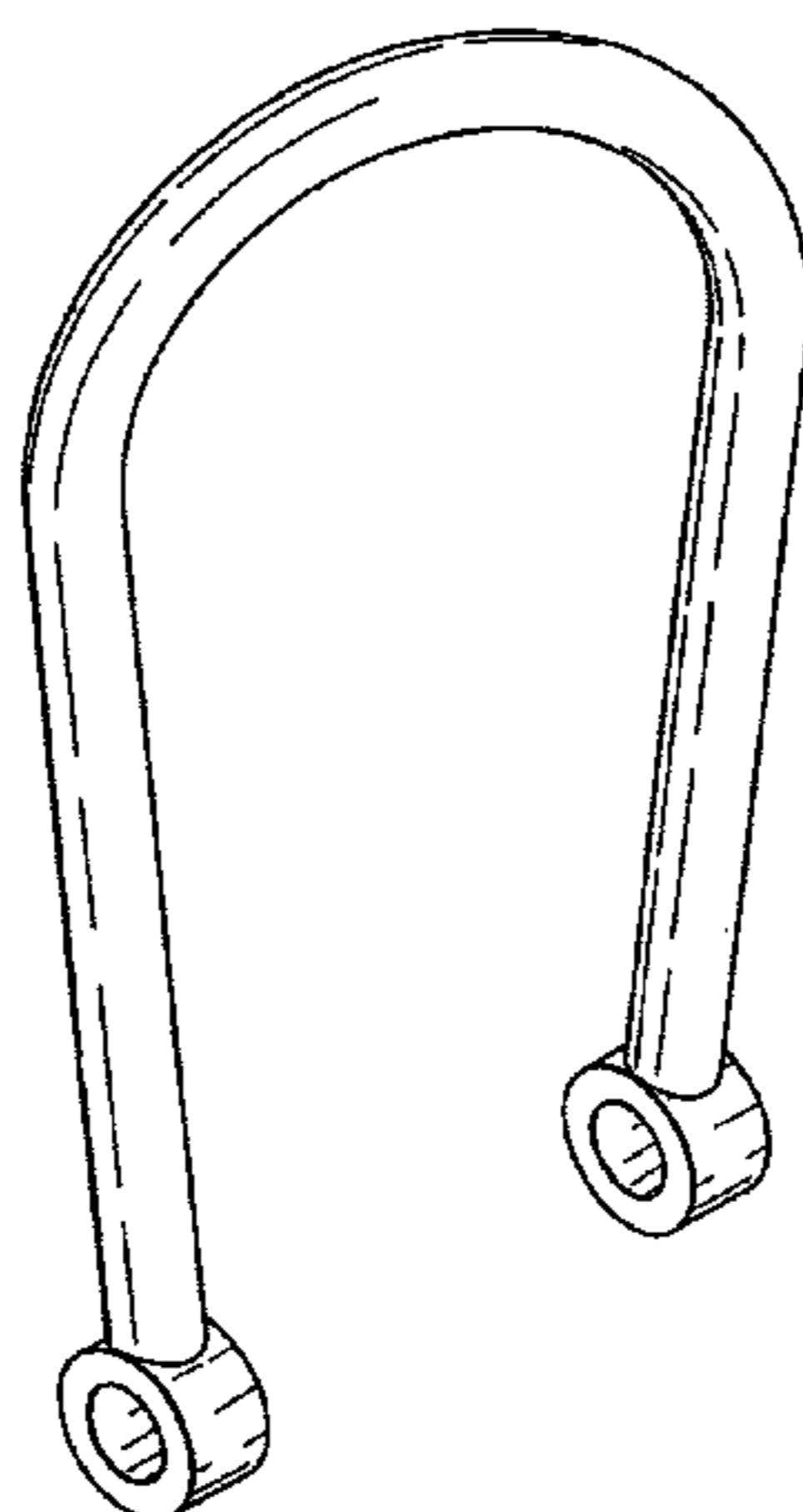


FIG. 1

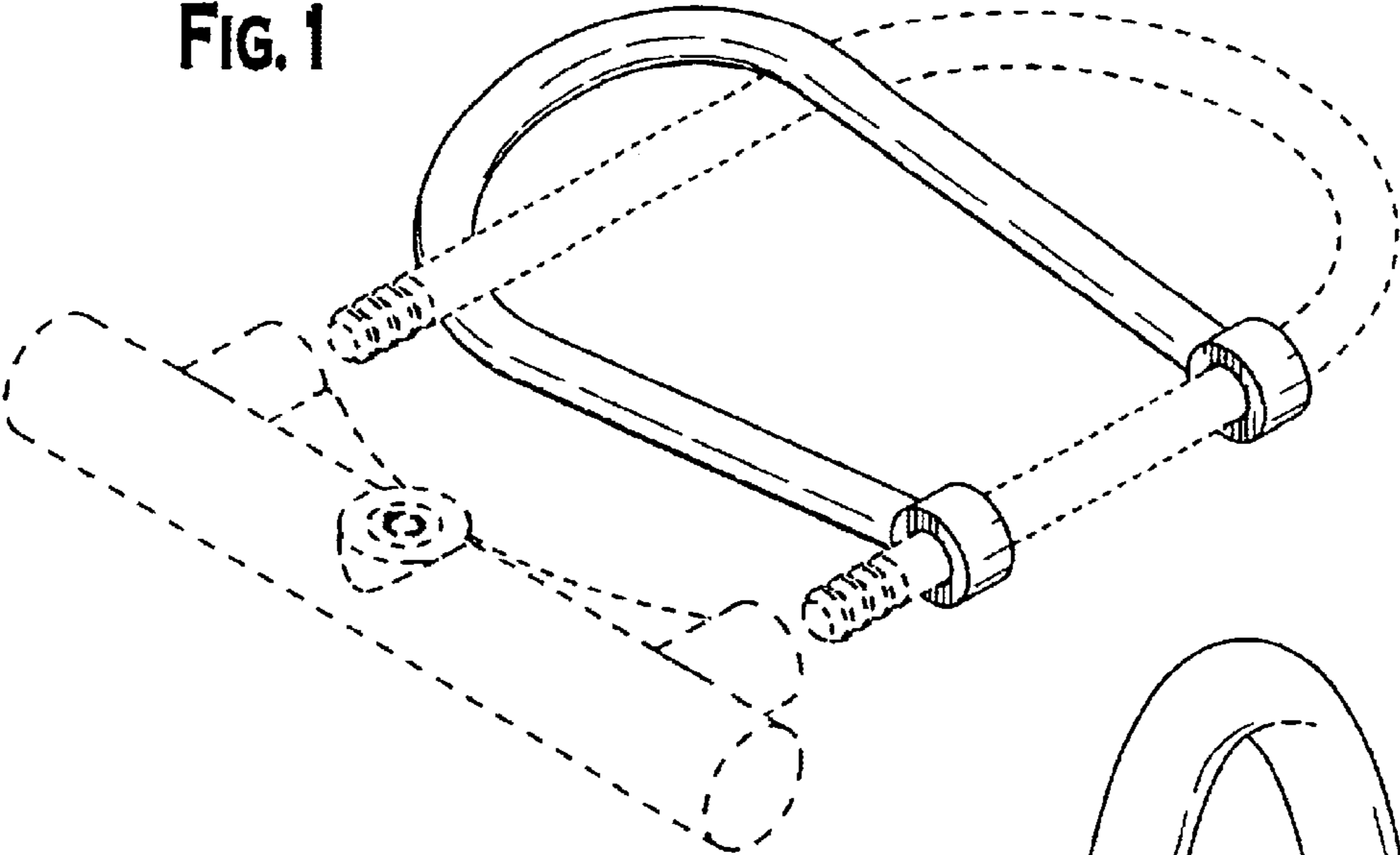


FIG. 2

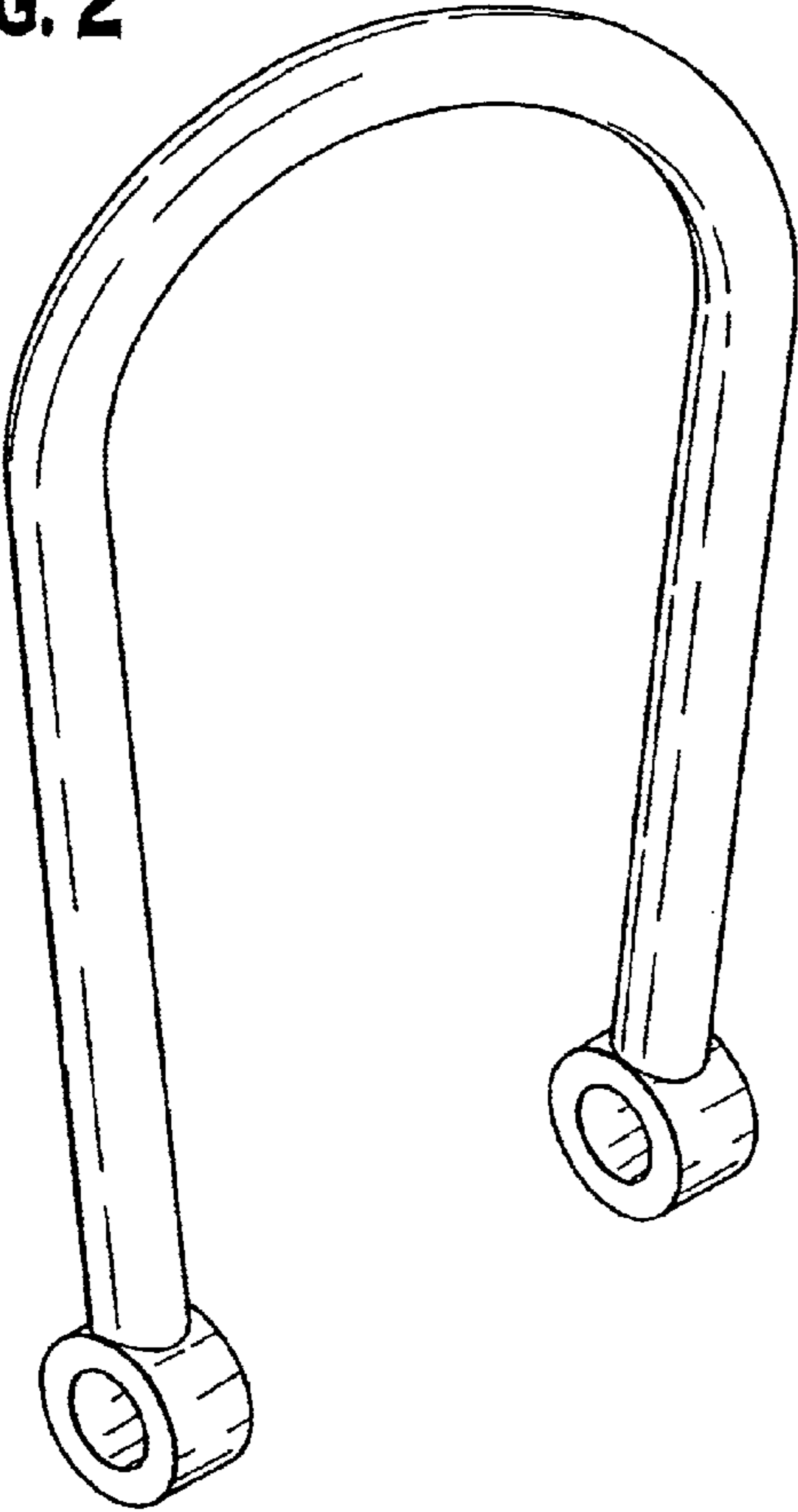


FIG. 3

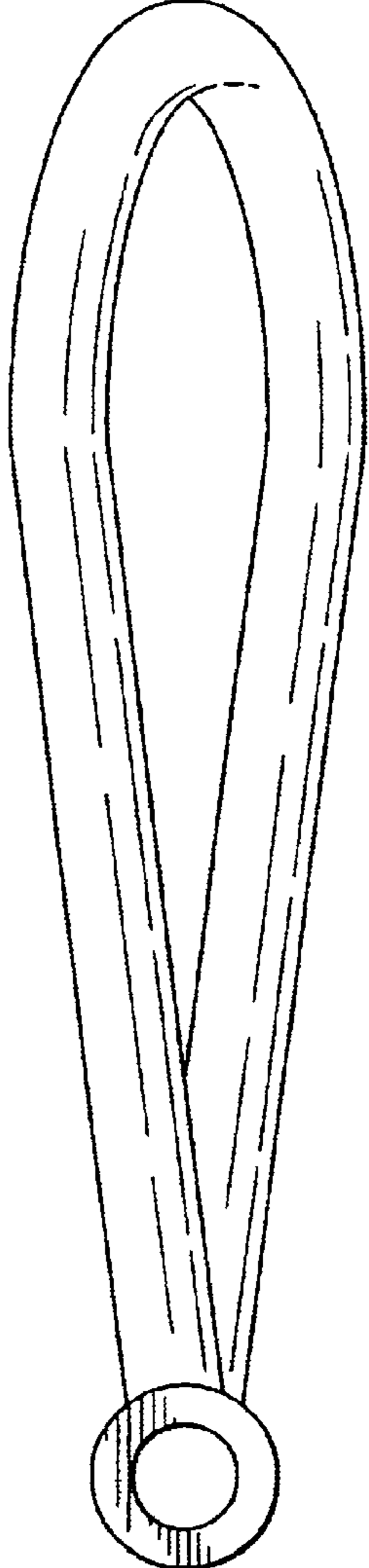


FIG. 4

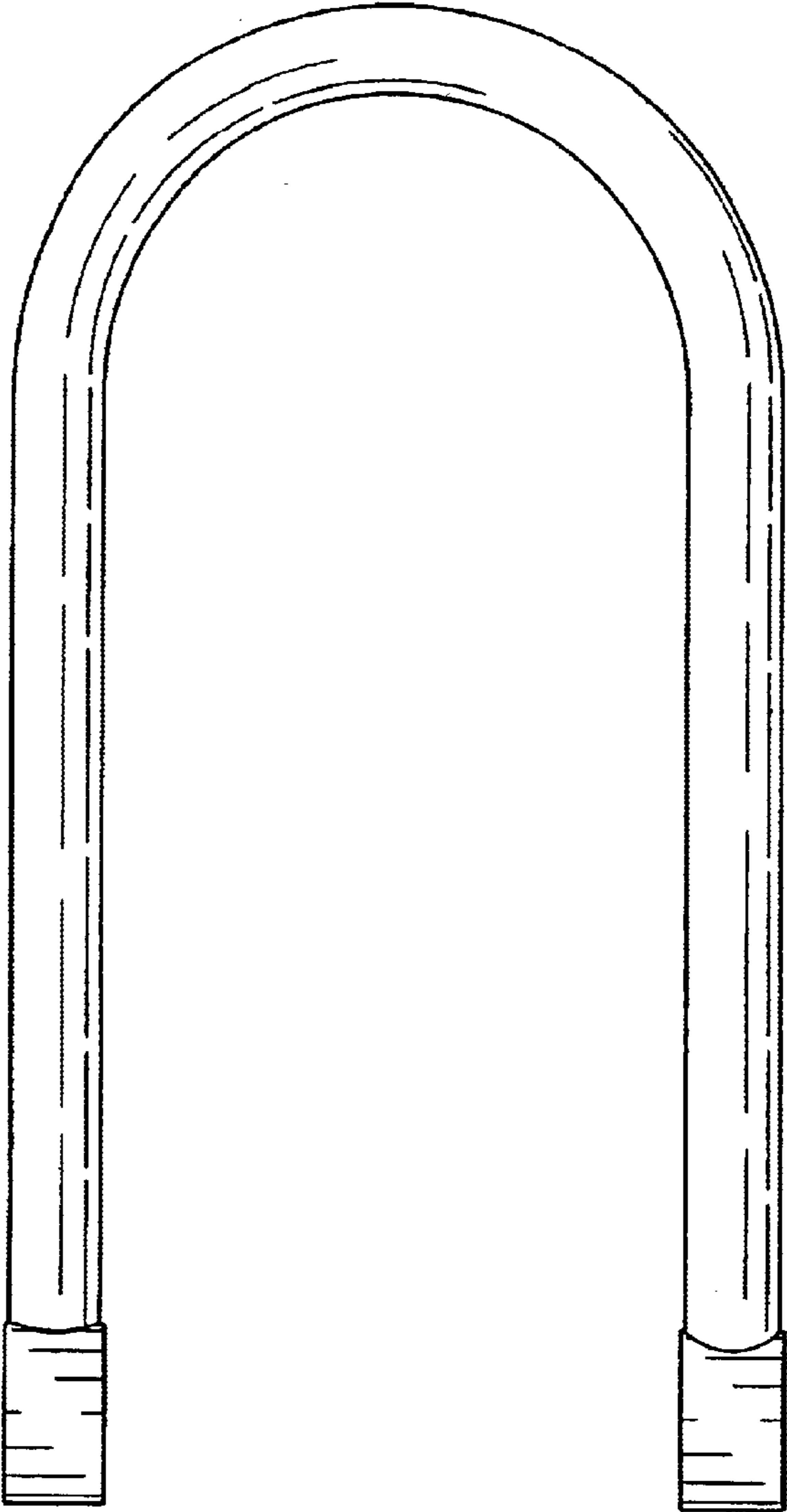


FIG. 5

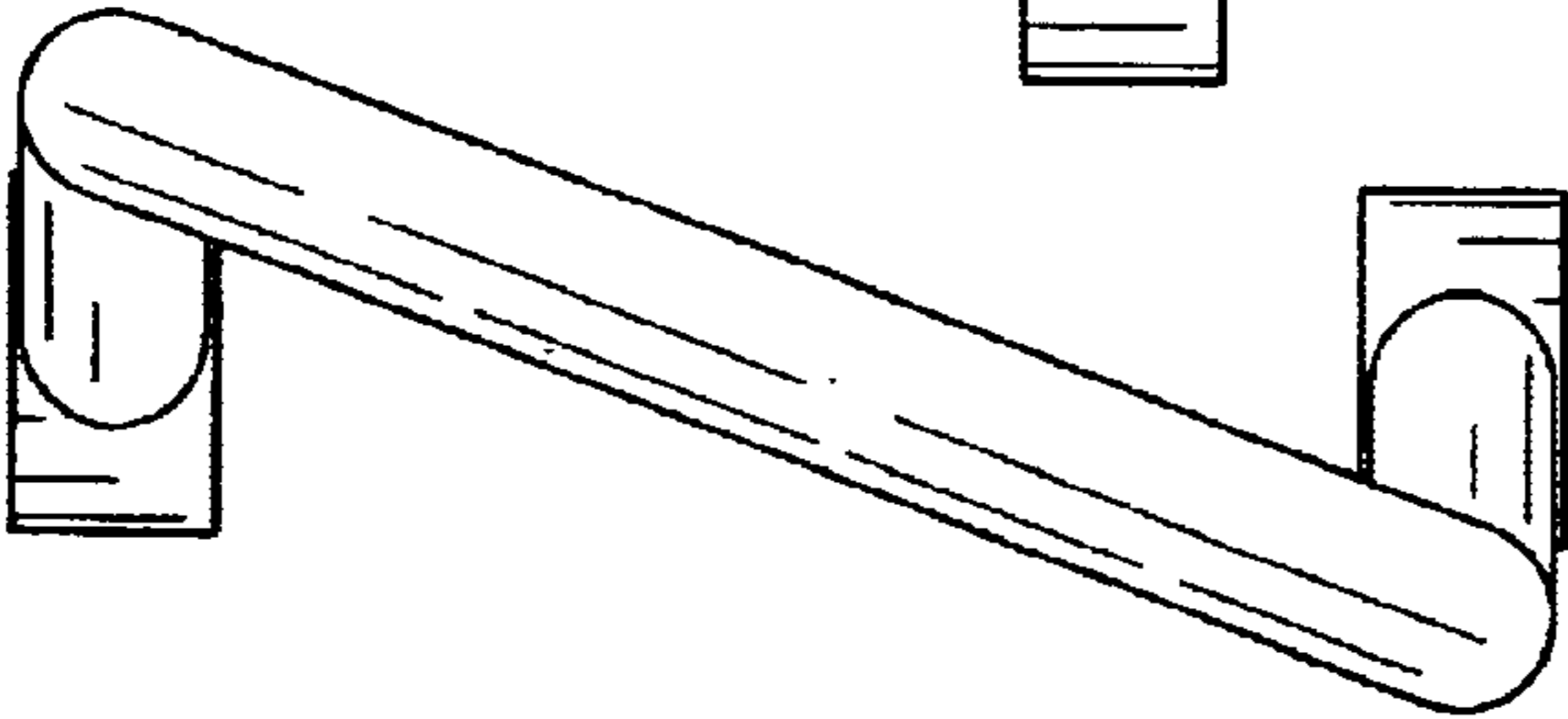


FIG. 6

