

US00D494036S1

(12) **United States Design Patent** (10) **Patent No.:** **US D494,036 S**  
**Winig et al.** (45) **Date of Patent:** **\*\* Aug. 10, 2004**

- (54) **TOOL HOLDER** 4,450,961 A 5/1984 Bies et al.  
 4,508,301 A 4/1985 Nicholson et al.  
 4,516,681 A 5/1985 Jahel  
 D282,128 S \* 1/1986 Bell et al. .... D6/469  
 4,597,496 A 7/1986 Kaplan  
 4,632,256 A 12/1986 Gambello  
 4,750,623 A \* 6/1988 Flum ..... 211/74  
 4,771,897 A 9/1988 Ho  
 4,905,951 A 3/1990 Putness  
 4,936,565 A 6/1990 Fredrickson  
 D313,550 S \* 1/1991 Lorincz ..... D8/373  
 5,005,710 A 4/1991 Hofer  
 D323,089 S \* 1/1992 Koerbel ..... D6/574  
 5,201,430 A 4/1993 Artzer  
 5,224,609 A 7/1993 Bauer et al.  
 5,337,987 A 8/1994 Sawatsky  
 5,482,168 A 1/1996 Welch et al.  
 5,515,969 A 5/1996 Schonenbach  
 5,573,111 A 11/1996 Gordon et al.  
 5,704,495 A \* 1/1998 Bale et al. .... 211/71.01  
 5,706,936 A 1/1998 Bernstein  
 5,711,419 A 1/1998 Beales et al.  
 5,738,228 A 4/1998 Bittinger  
 5,855,274 A 1/1999 Piao  
 5,909,936 A 6/1999 Daniels et al.  
 5,915,307 A 6/1999 Tisbo et al.  
 5,915,572 A 6/1999 Hancock  
 5,970,663 A 10/1999 McDonough
- (75) Inventors: **Alan Winig**, Wynnewood, PA (US);  
**Richard Winig**, Villanova, PA (US);  
**James Eldon**, Barto, PA (US)
- (73) Assignee: **Eye Designs LLC**, Collegetown, PA (US)
- (\*\*) Term: **14 Years**
- (21) Appl. No.: **29/187,608**
- (22) Filed: **Aug. 4, 2003**
- (51) **LOC (7) Cl.** ..... **08-05**
- (52) **U.S. Cl.** ..... **D8/71**
- (58) **Field of Search** ..... D8/71, 14.1, 64, D8/66, 70, 72, 73, 74, 349, 354, 373; D6/467, 469, 567, 574; D15/130, 132, 138, 139, 140, 141; 33/474, 533, 613; 81/177.1, 437, 177.4, 438, 439, 490; 82/161; 83/581, 760, 762-764, 766; 142/48, 49, 55; 211/60.1, 70.6, 71.01, 74, 65, 90.01; 248/80, 153, 175, 176.1, 201, 304, 309.1, 312, 312.1, 315, 316.8; 269/41, 42, 283

(56) **References Cited**

**U.S. PATENT DOCUMENTS**

- 878,233 A \* 2/1908 Paulson ..... 211/74  
 1,056,237 A \* 3/1913 Waller ..... 211/74  
 1,958,772 A 5/1934 Stewart  
 1,992,857 A 2/1935 Breedlove  
 2,121,307 A 6/1938 Swift  
 2,533,355 A \* 12/1950 Comfort ..... 211/65  
 2,566,650 A \* 9/1951 Anderson ..... 211/65  
 2,785,919 A 3/1957 Grondzik  
 2,815,863 A \* 12/1957 Larson ..... 211/90.01  
 2,956,687 A 10/1960 Robichaud  
 2,995,256 A 8/1961 Schoenfisch  
 3,063,569 A 11/1962 Huber  
 3,269,550 A \* 8/1966 Marcus ..... 211/70.6  
 3,565,020 A 2/1971 Schier et al.  
 4,325,484 A 4/1982 Berry  
 4,340,144 A 7/1982 Cousins  
 4,439,884 A 4/1984 Giorni

(List continued on next page.)

*Primary Examiner*—James Gandy  
*Assistant Examiner*—T. Chase Nelson  
 (74) *Attorney, Agent, or Firm*—Duane Morris LLP

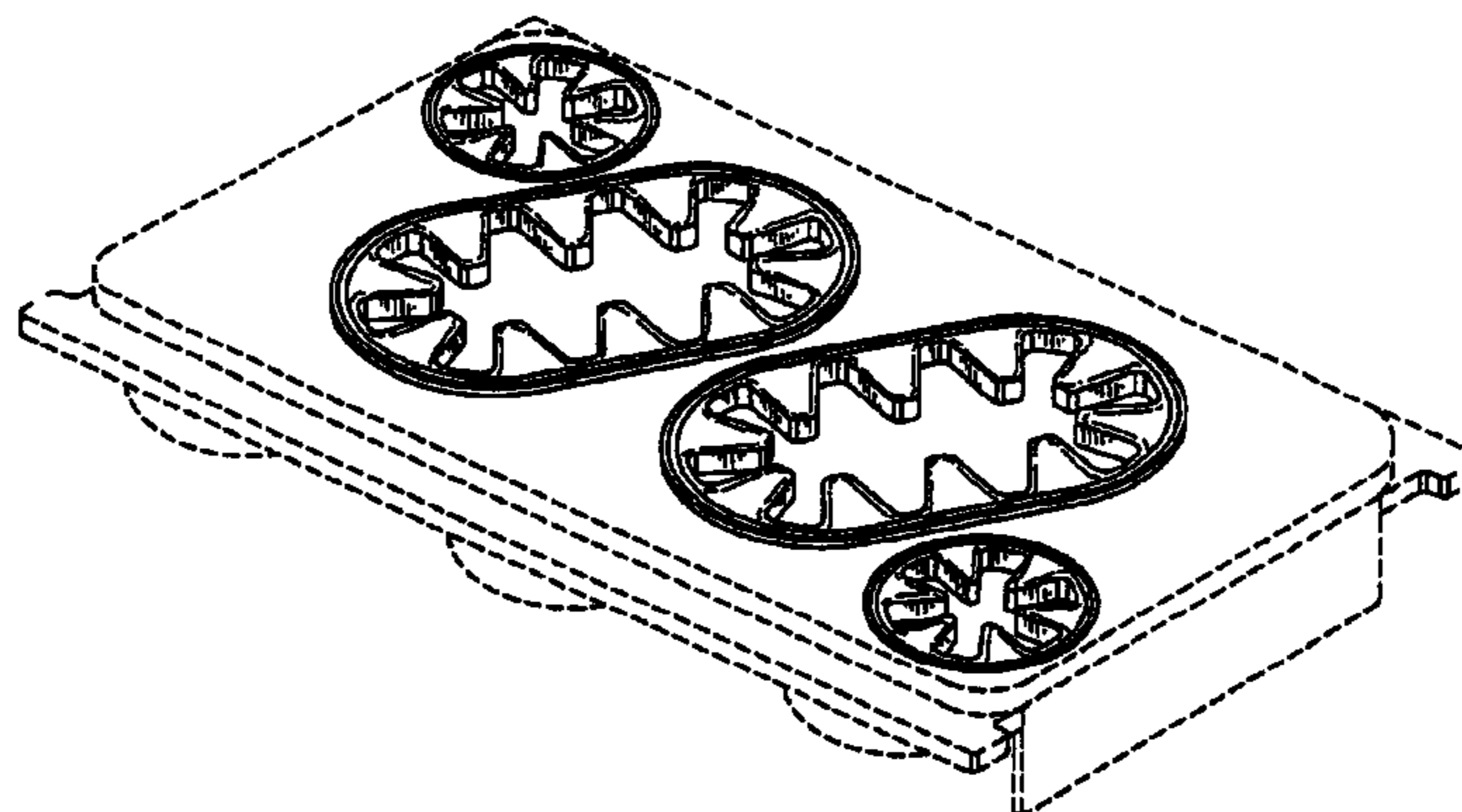
(57) **CLAIM**

The ornamental design for a tool holder, as shown and described.

**DESCRIPTION**

FIG. 1 is a perspective view of the tool holder according to the invention;  
 FIG. 2 is a top view of the tool holder; and,  
 FIG. 3 is a bottom view of the tool holder.  
 The broken line showing of structure is for illustrative purposes only and forms no part of the claimed design.

**1 Claim, 2 Drawing Sheets**



# US D494,036 S

Page 2

---

## U.S. PATENT DOCUMENTS

6,000,912	A	12/1999	Takada et al.			
6,019,331	A	2/2000	Hoogland et al.			
6,050,426	A	4/2000	Leurdijk			
6,070,747	A	6/2000	Shea			
D430,583	S	* 9/2000	Fang et al.	.....	D15/139	
6,164,448	A	* 12/2000	Schmutz et al.	.....	211/60.1	
6,250,466	B1	6/2001	Ernst			
6,273,255	B1	8/2001	Rosler			
6,273,277	B1	8/2001	Geldenhuis			
6,299,001	B1	10/2001	Frolov et al.			
6,450,338	B1	9/2002	Chen			
6,491,267	B1	12/2002	Feldman			
6,502,711	B1	* 1/2003	Mc Rae	.....	220/23.4	
6,508,369	B2	* 1/2003	Wang	.....	211/60.1	
6,533,133	B2	* 3/2003	Liu	.....	211/74	
6,581,788	B1	* 6/2003	Winig et al.	.....	211/90.01	
D481,920	S	* 11/2003	Winig et al.	.....	D8/71	
D482,255	S	* 11/2003	Winig et al.	.....	D8/71	

\* cited by examiner

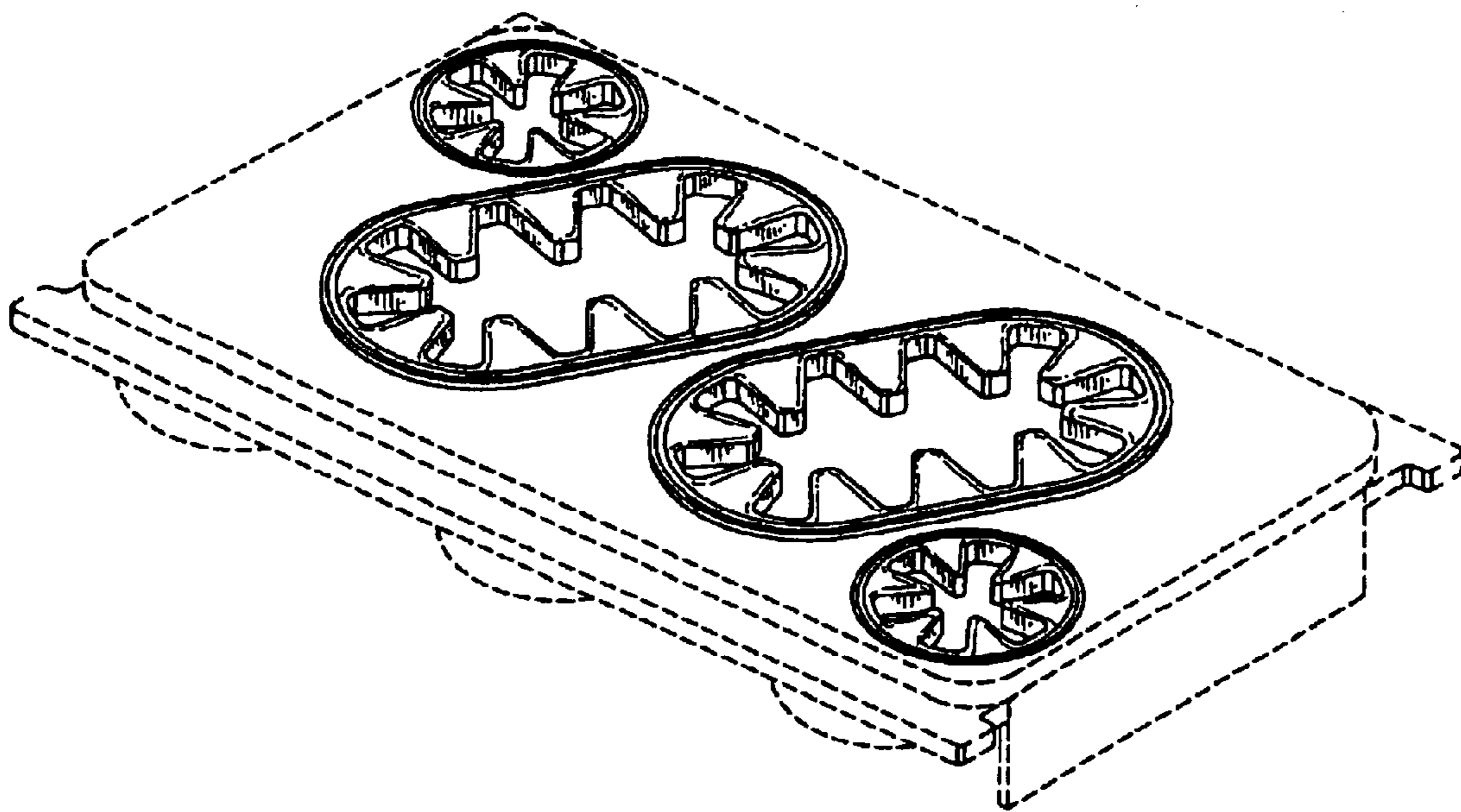


FIG. 1

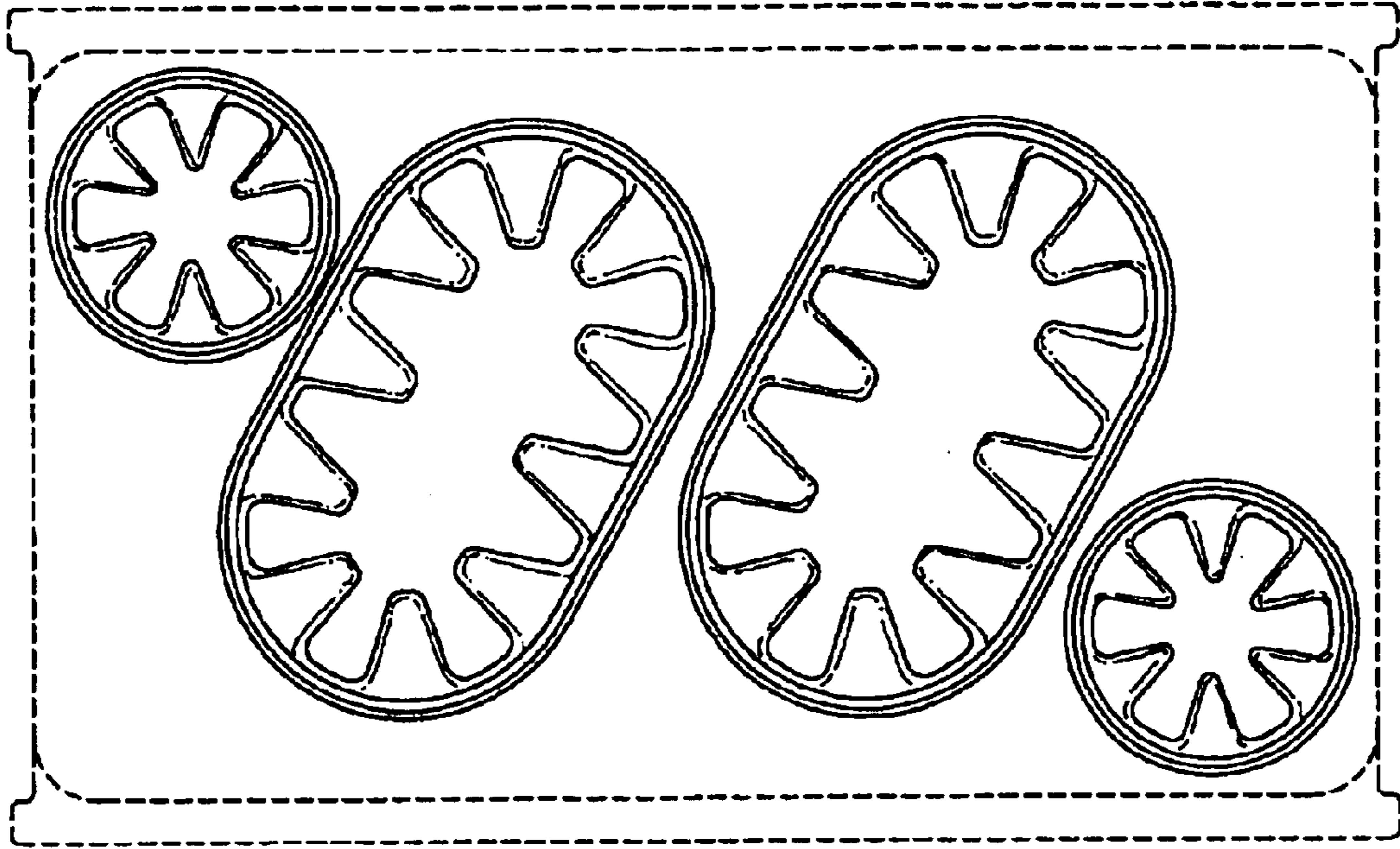


FIG. 2

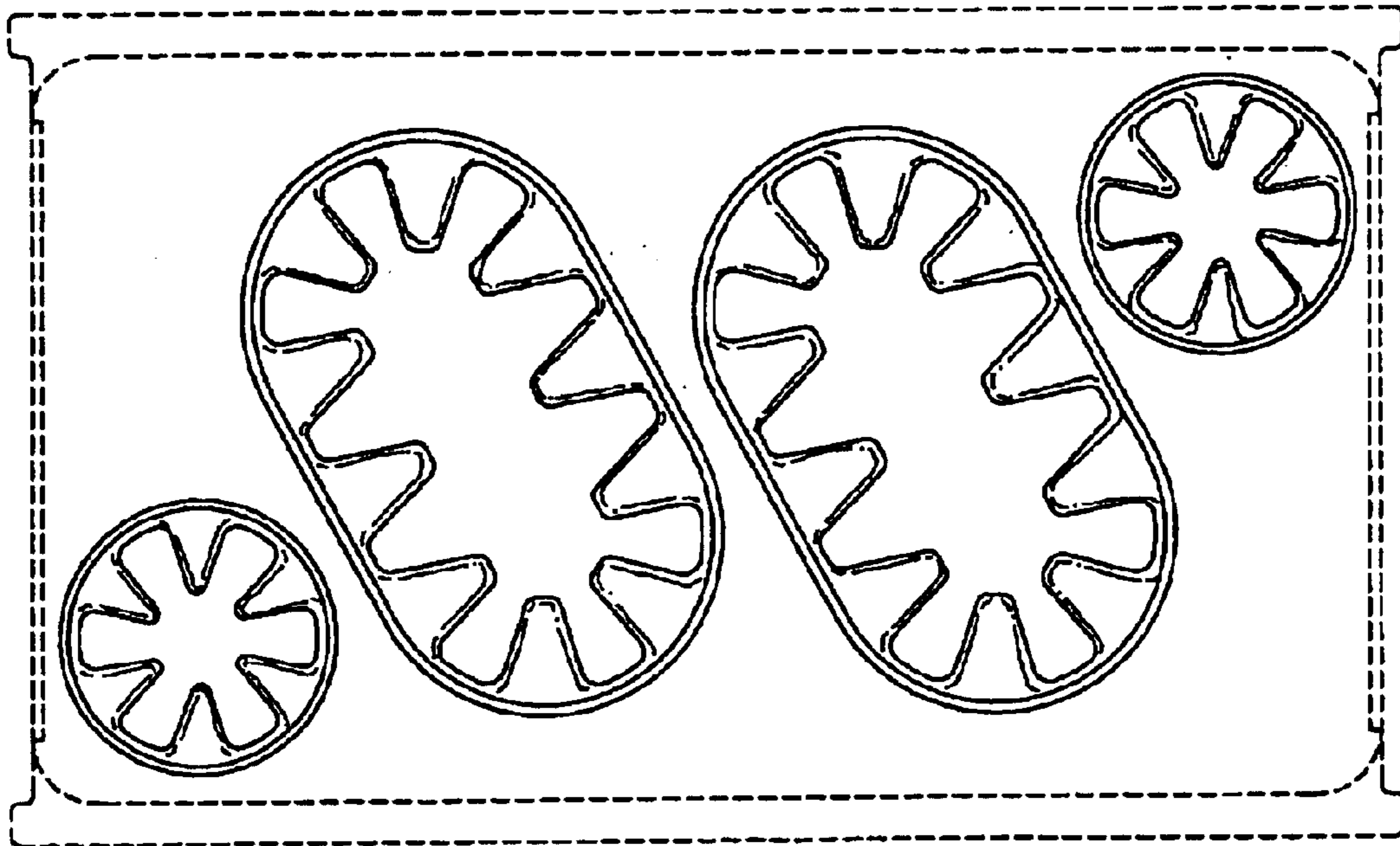


FIG. 3