



US00D494034S1

(12) **United States Design Patent** (10) **Patent No.:** **US D494,034 S**  
**Cheung** (45) **Date of Patent:** **\*\* Aug. 10, 2004**

(54) **SPEED DRILL**  
(75) Inventor: **Benson Chun Kit Cheung**, Kowloon (HK)  
(73) Assignee: **One World Technologies, Limited**, Hamilton (BM)  
(\*\*) Term: **14 Years**  
(21) Appl. No.: **29/170,908**  
(22) Filed: **Nov. 13, 2002**

D340,394 S 10/1993 Okumura ..... D8/68  
D340,396 S 10/1993 Ichikawa ..... D8/68  
D342,430 S 12/1993 Saito et al. .... D8/68  
D345,090 S 3/1994 Okumura ..... D8/68  
D345,682 S 4/1994 Sasaki et al. .... D8/68  
D359,215 S 6/1995 Zurwelle ..... D8/68  
D360,814 S 8/1995 Kimata ..... D8/68  
D362,167 S 9/1995 Zurwelle ..... D8/68  
D368,214 S 3/1996 Zurwelle ..... D8/68  
5,524,512 A 6/1996 Wolfe ..... 81/429  
D377,442 S 1/1997 Kilkuchi ..... D8/68  
D377,893 S 2/1997 Lui ..... D8/68  
D378,268 S 3/1997 Schultz ..... D8/68

(List continued on next page.)

(51) **LOC (7) Cl.** ..... **08-01**  
(52) **U.S. Cl.** ..... **D8/68**  
(58) **Field of Search** ..... D8/61, 62, 63, D8/64, 65, 66, 67, 68, 69, 70; 81/57.11, 429, 464, 465, 466, 469, 489; 173/13, 169, 178, 213, 217; 227/8, 114, 120, 130, 136, 142; 310/50; 408/20, 124, 125, 234, 241 R; 451/358

**FOREIGN PATENT DOCUMENTS**

JP 595750 6/1989

**OTHER PUBLICATIONS**

Drill/drivers, DeWalt Tool catalogue, c. 1998, pp. 8-9.\*

*Primary Examiner*—Doris V. Coles  
*Assistant Examiner*—T. Chase Nelson  
(74) *Attorney, Agent, or Firm*—Andrew Y. Pang; Nexsen Pruet Jacobs & Pollard, LLC

(56) **References Cited**

**U.S. PATENT DOCUMENTS**

D279,957 S 8/1985 Akazawa et al. .... D8/61  
4,647,260 A 3/1987 O'Hara et al. .... 408/241 S  
D295,141 S 4/1988 Hoshino et al. .... D8/68  
D295,714 S 5/1988 Sasaki et al. .... D8/68  
D296,413 S 6/1988 Hoshino et al. .... D8/68  
D296,655 S 7/1988 Yonezawa et al. .... D8/68  
D299,808 S 2/1989 Hoshino et al. .... D8/68  
4,803,904 A 2/1989 Stanich et al. .... 81/54  
D314,498 S 2/1991 Hoshino et al. .... D8/68  
D320,917 S 10/1991 Fushiya et al. .... D8/68  
D323,606 S 2/1992 Chang ..... D8/68  
5,094,133 A 3/1992 Schreiber ..... 81/474  
D327,619 S 7/1992 Tsai ..... D8/68  
D328,411 S 8/1992 Cavedo ..... D8/68  
D329,580 S 9/1992 Sasaki et al. .... D8/68  
D332,208 S 1/1993 Sakamoto et al. .... D8/68  
D335,073 S 4/1993 Anthony et al. .... D8/68  
5,230,261 A 7/1993 Akazawa et al. .... 81/54  
D339,046 S 9/1993 Fushiya et al. .... D8/68  
D339,727 S 9/1993 Kikuchi ..... D8/68

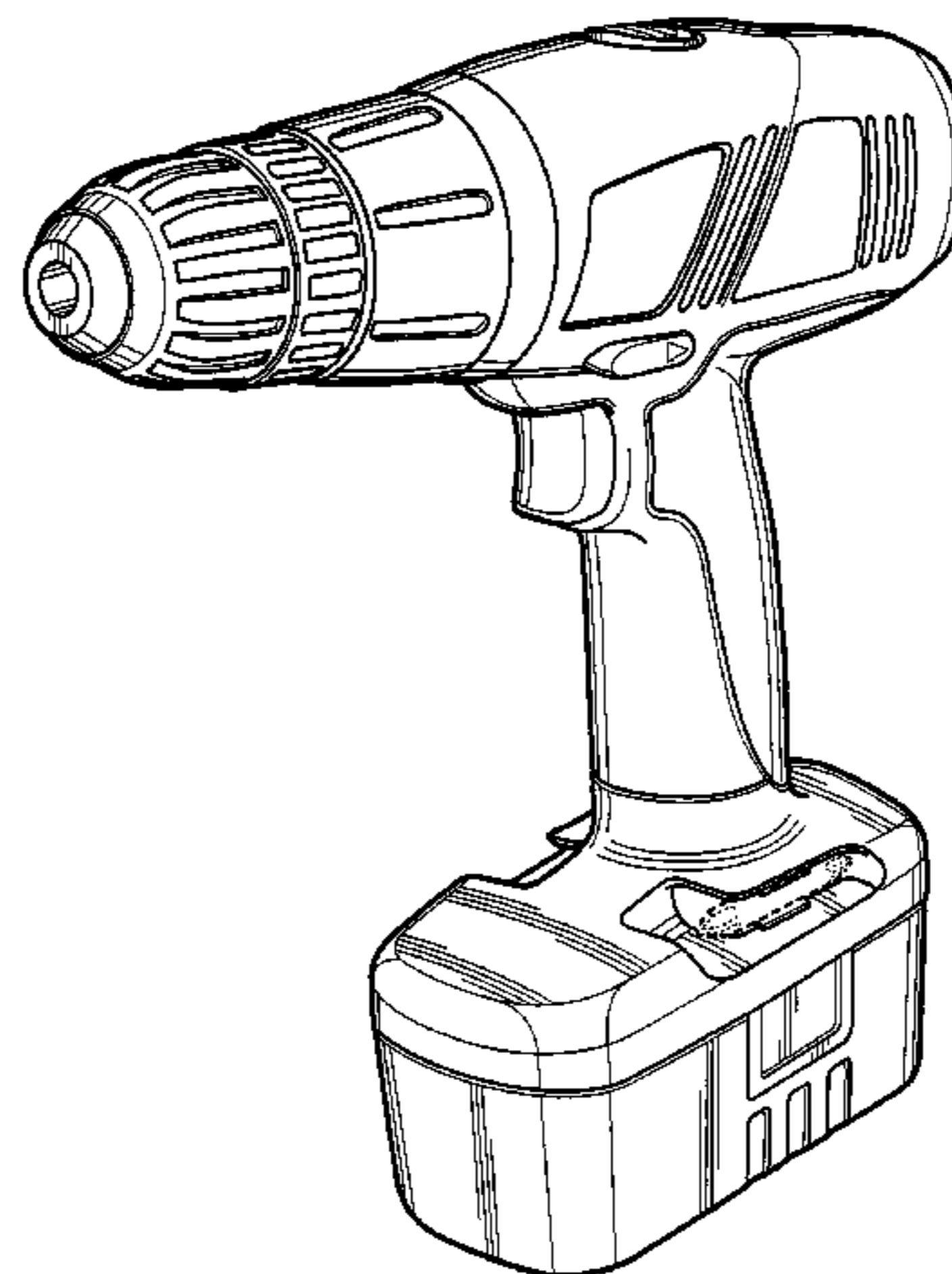
(57) **CLAIM**

The ornamental design for a speed drill, as shown and described.

**DESCRIPTION**

FIG. 1 is a right side perspective view of the speed drill of the present invention;  
FIG. 2 is a right side elevational view thereof;  
FIG. 3 is a left side elevational view thereof;  
FIG. 4 is a front end view thereof;  
FIG. 5 is a rear end view thereof.  
FIG. 6 is a top view thereof; and,  
FIG. 7 is a bottom view thereof.  
The broken lines shown in FIGS. 1 and 2 are for illustrative purposes only and form no part of the claimed design.

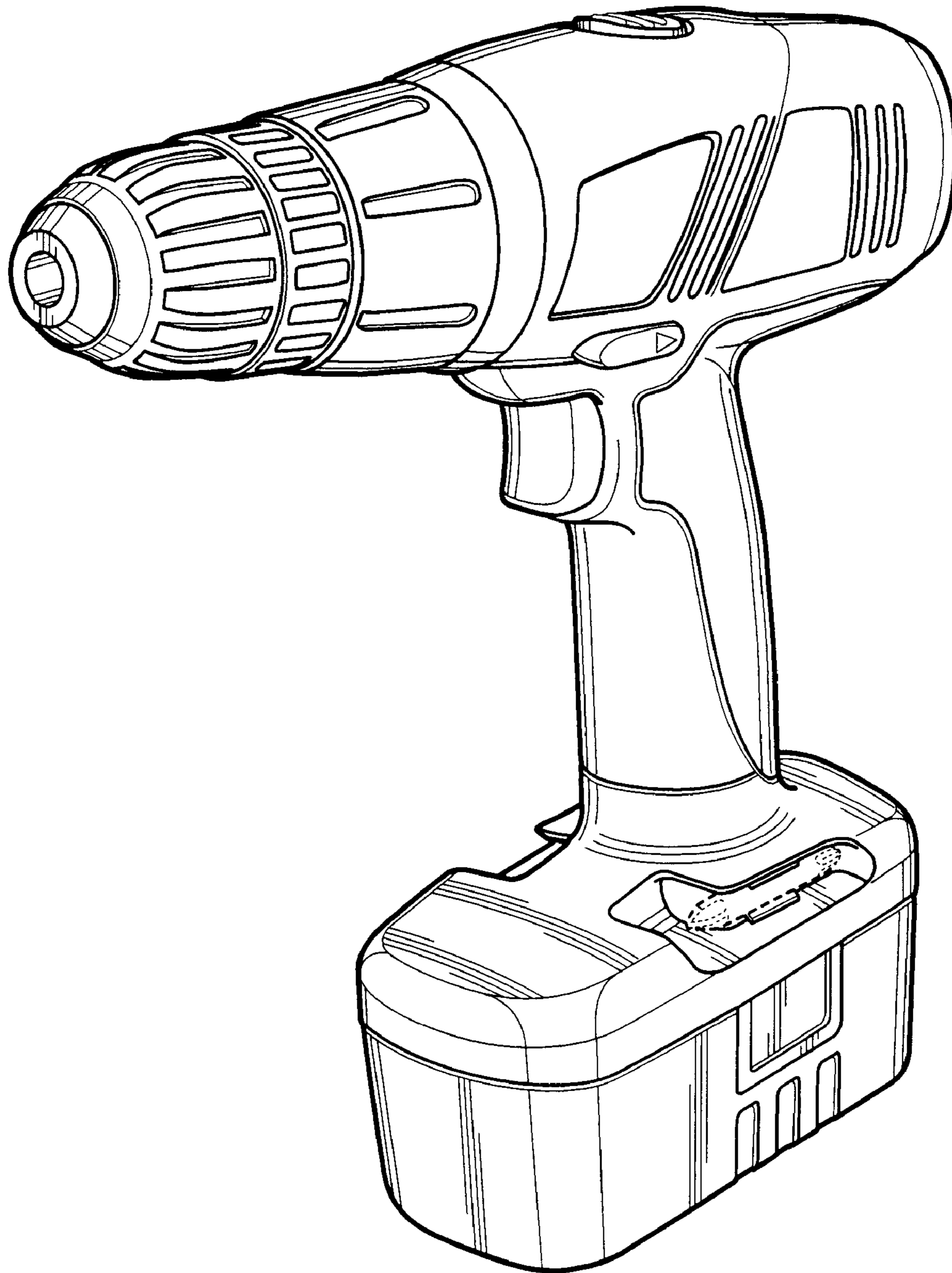
**1 Claim, 3 Drawing Sheets**



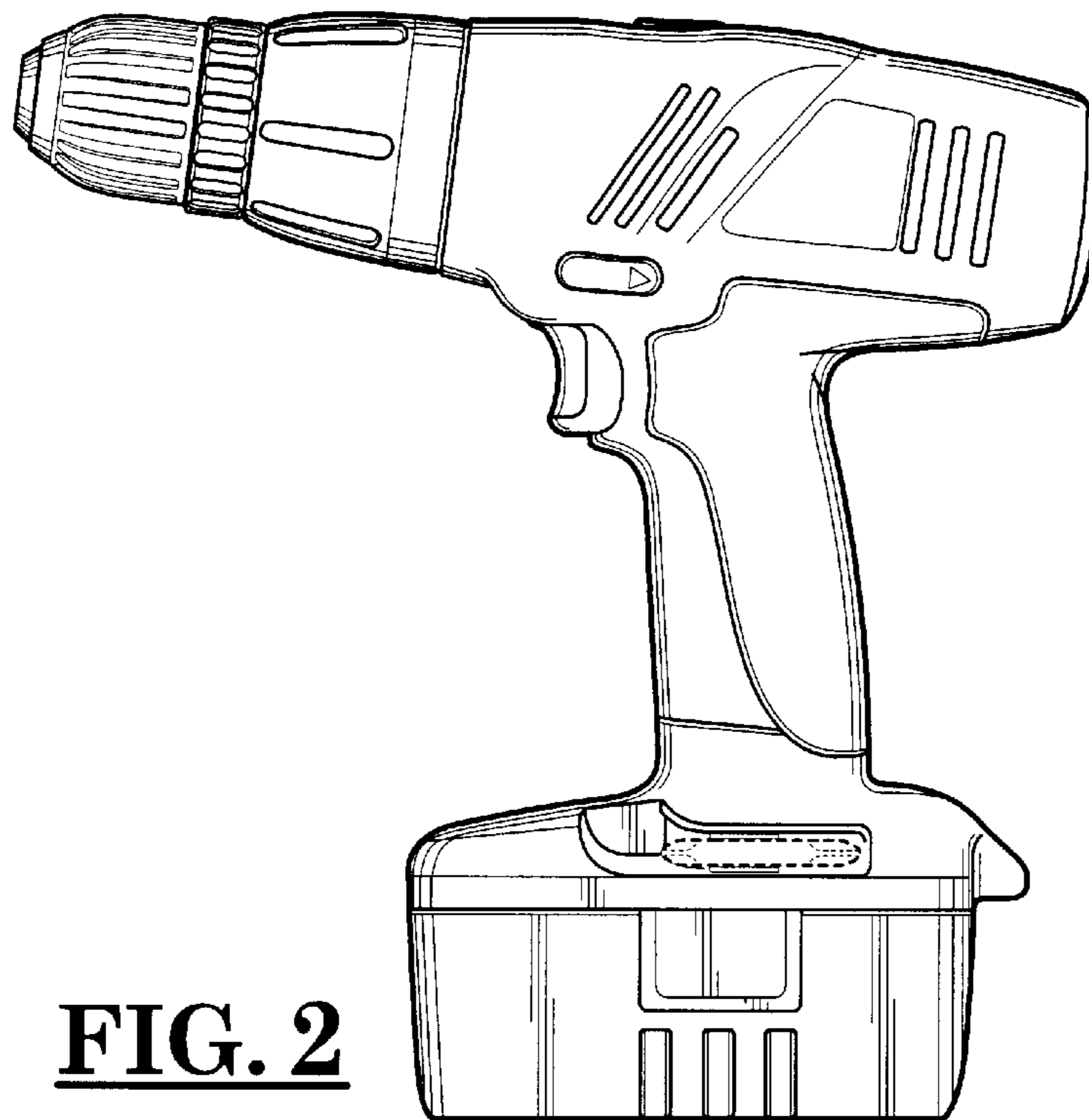
U.S. PATENT DOCUMENTS

D380,952 S	7/1997	Kim .....	D8/68	D409,467 S	5/1999	Chung .....	D8/68
D382,457 S	8/1997	Ghode et al. ....	D8/68	D419,413 S	1/2000	Heun .....	D8/68
D384,261 S	9/1997	Hayakawa et al. ....	D8/68	D420,879 S	* 2/2000	Watson et al. ....	D8/70
D386,662 S	11/1997	Tozawa et al. ....	D8/68	D421,883 S	* 3/2000	Watson et al. ....	D8/68
D389,384 S	1/1998	Lui .....	D8/68	D428,320 S	7/2000	Ohi et al. ....	D8/68
D392,530 S	3/1998	Lui .....	D8/68	D435,414 S	* 12/2000	Etter et al. ....	D8/68
D393,581 S	4/1998	McCallops et al. ....	D8/68	D436,511 S	* 1/2001	Hayakawa et al. ....	D8/68
D394,995 S	6/1998	Cooper .....	D8/68	D437,759 S	* 2/2001	Breit et al. ....	D8/68
D396,177 S	7/1998	Schultz .....	D8/68	D444,363 S	7/2001	Hayakawa et al. ....	D8/61
D396,789 S	8/1998	Murray .....	D8/68	D447,924 S	9/2001	Neitzell et al. ....	D8/64
D402,871 S	12/1998	Clowers et al. ....	D8/68	6,308,378 B1	* 10/2001	Mooty et al. ....	81/489
D402,872 S	12/1998	Clowers et al. ....	D8/68	D460,674 S	* 7/2002	Heun .....	D8/68
D403,220 S	12/1998	Kimata et al. ....	D8/68	D462,248 S	* 9/2002	Cooper .....	D8/68
D404,276 S	1/1999	Ghode et al. ....	D8/68	D467,147 S	* 12/2002	Watson .....	D8/68

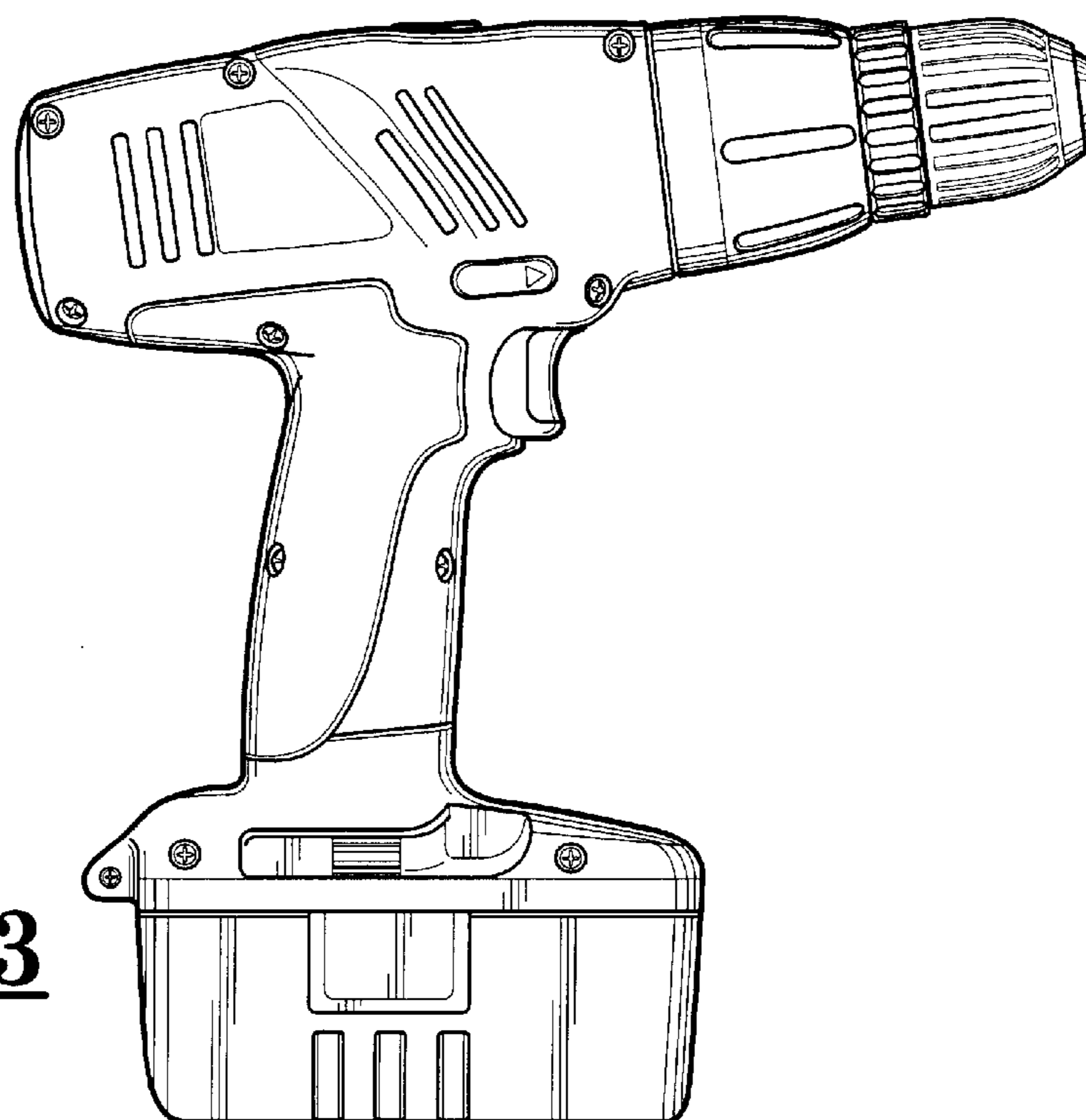
\* cited by examiner



**FIG. 1**

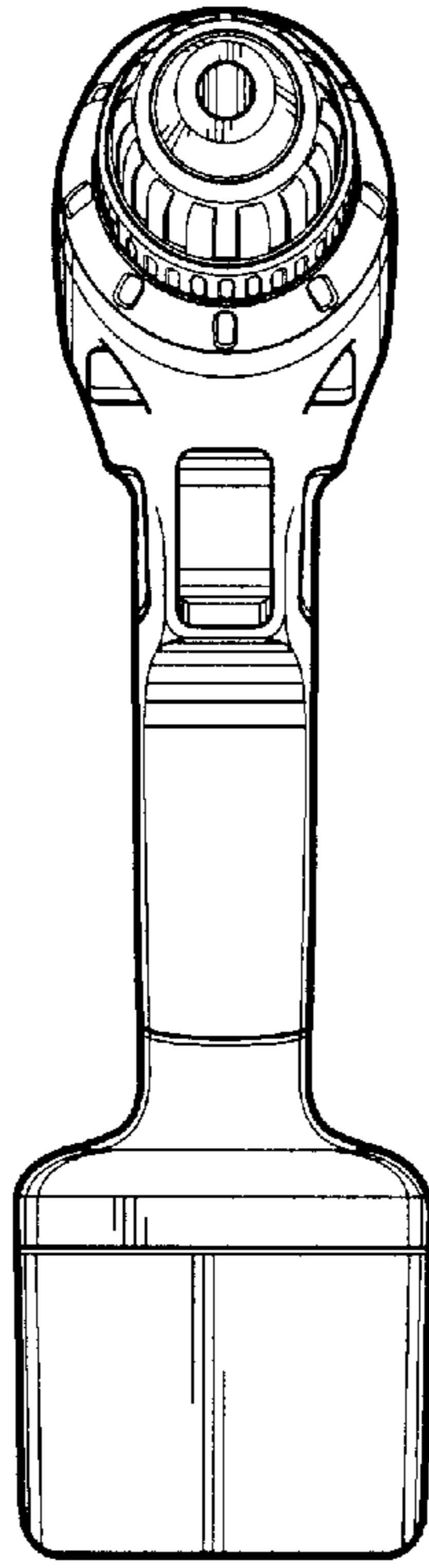


**FIG. 2**

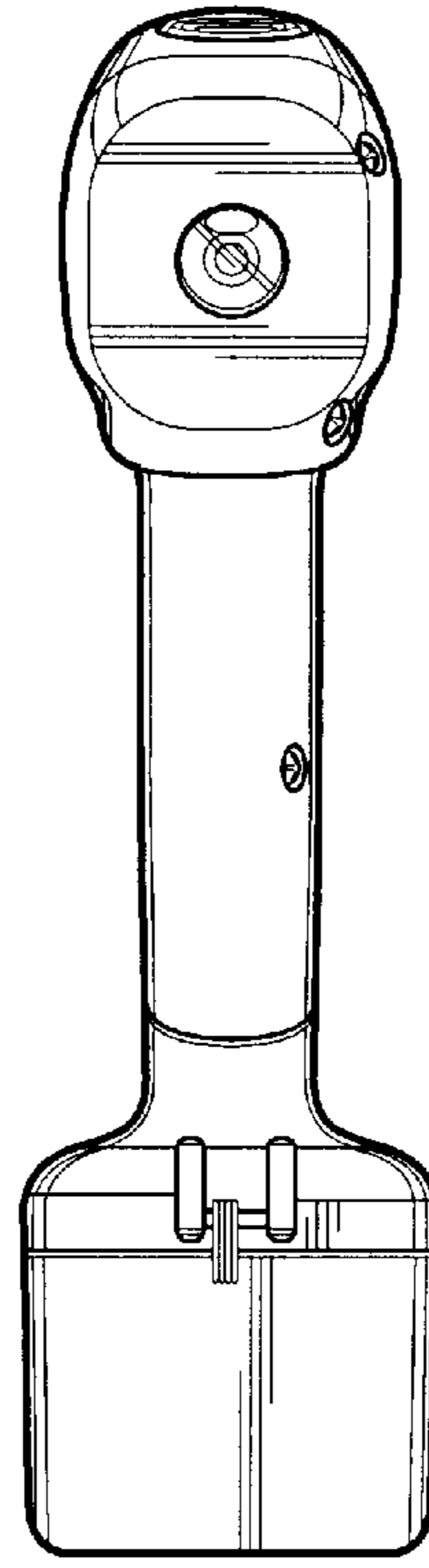


**FIG. 3**

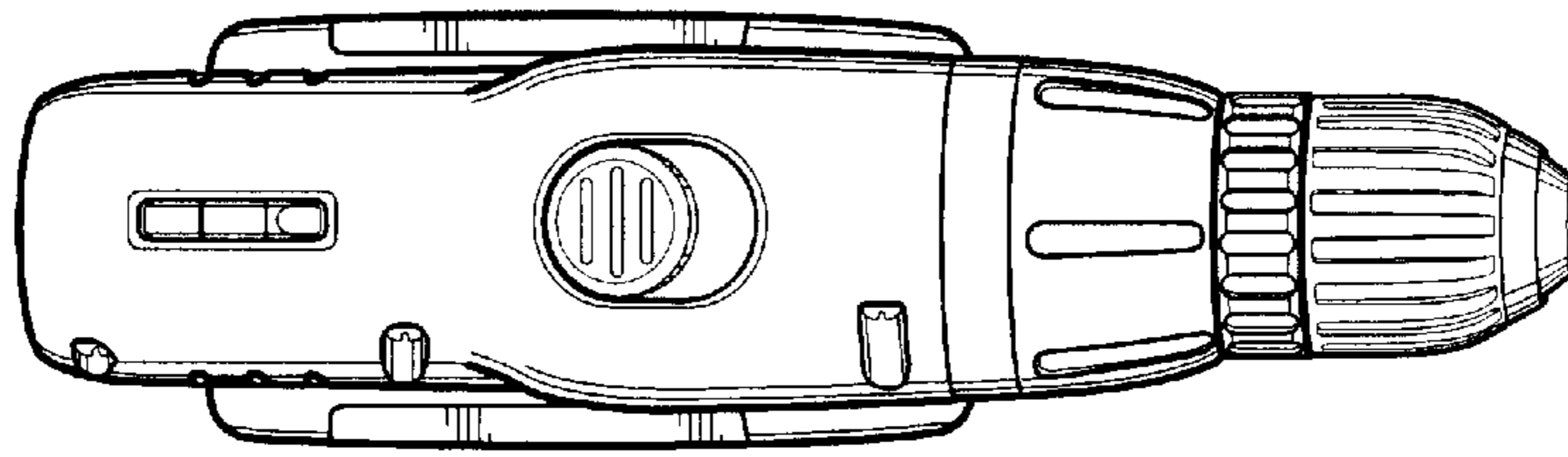




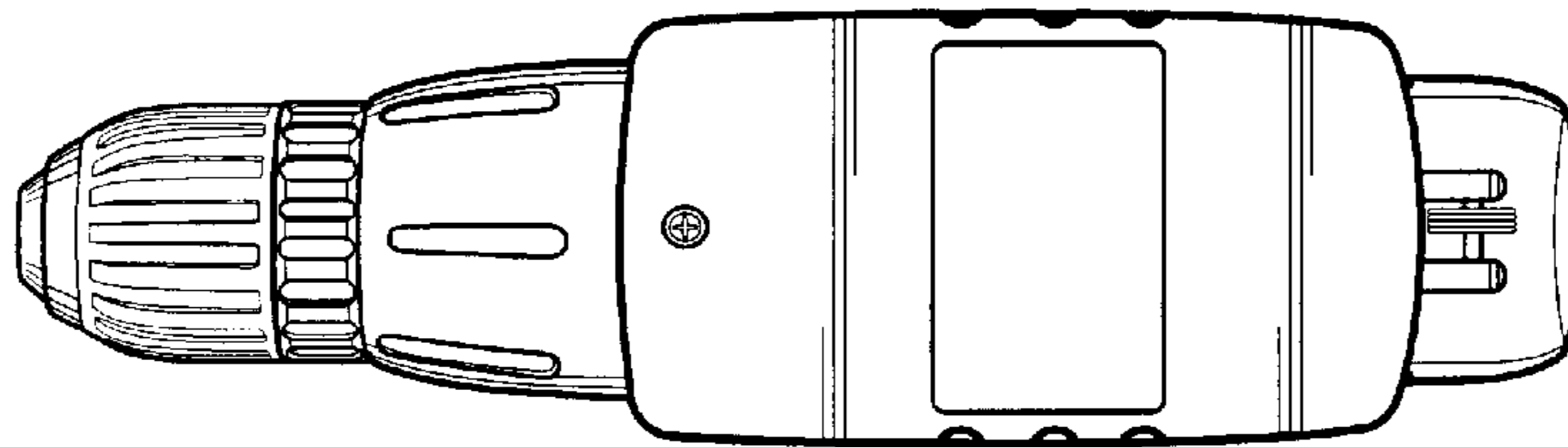
**FIG. 4**



**FIG. 5**



**FIG. 6**



**FIG. 7**