



US00D494033S1

(12) **United States Design Patent**
Thomas et al.

(10) **Patent No.:** **US D494,033 S**
(45) **Date of Patent:** **** Aug. 10, 2004**

(54) **ELECTRIC DRILL**

(75) Inventors: **Benjamin J. Thomas**, Anderson, SC (US); **Taku Ohi**, Greer, SC (US); **Godfrey Ka Wai Chung**, Tuen Mun (HK)

(73) Assignee: **One World Technologies**, Hamilton (BM)

(**) Term: **14 Years**

(21) Appl. No.: **29/188,079**

(22) Filed: **Aug. 11, 2003**

(51) **LOC (7) Cl.** **08-01**

(52) **U.S. Cl.** **D8/67**

(58) **Field of Search** D8/61, 62, 63, D8/67, 68, 69; 30/500; 81/57.11, 57.13, 464, 465, 466, 467, 469, 470; 173/13, 14, 47, 48, 168, 169, 170, 171; 310/50; 408/113, 124

(56) **References Cited**

U.S. PATENT DOCUMENTS

D180,923 S	*	9/1957	Anton	D8/67
3,077,547 A	*	2/1963	Metko	173/217
3,908,139 A	*	9/1975	Duncan, Jr.	310/50
D279,862 S		7/1985	Sato et al.	D8/61
D279,957 S		8/1985	Akazawa et al.	D8/61
D280,797 S		10/1985	Sakamoto et al.	D8/61
D287,814 S	*	1/1987	Hiraishi et al.	D8/67
4,689,534 A		8/1987	Gerber et al.	310/50
5,056,607 A		10/1991	Sanders	173/217

D326,805 S	*	6/1992	Clivio	D8/69
D332,208 S		1/1993	Sakamoto et al.	D8/68
5,180,019 A	*	1/1993	Thiry et al.	173/168
D339,727 S		9/1993	Kikuchi	D8/68
D383,366 S	*	9/1997	Heck	D8/67
D396,395 S		7/1998	Zurwelle	D8/68
D406,511 S		3/1999	Zurwelle	D8/68
D406,741 S		3/1999	Zurwelle	D8/68
D406,742 S		3/1999	Schoen et al.	D8/68
D439,123 S		3/2001	Sakai et al.	D8/68
D470,737 S		2/2003	Chunn	D8/68

* cited by examiner

Primary Examiner—James Gandy

Assistant Examiner—Elizabeth Albert

(74) *Attorney, Agent, or Firm*—John B. Hardaway, III; Nexsen Pruet, LLC

(57) **CLAIM**

The ornamental design for an electric drill, as shown and described.

DESCRIPTION

FIG. 1 is a front left perspective view of the electric drill of the present invention;

FIG. 2 is a front right perspective view thereof;

FIG. 3 is a left side elevational view thereof;

FIG. 4 is a right side elevational view thereof;

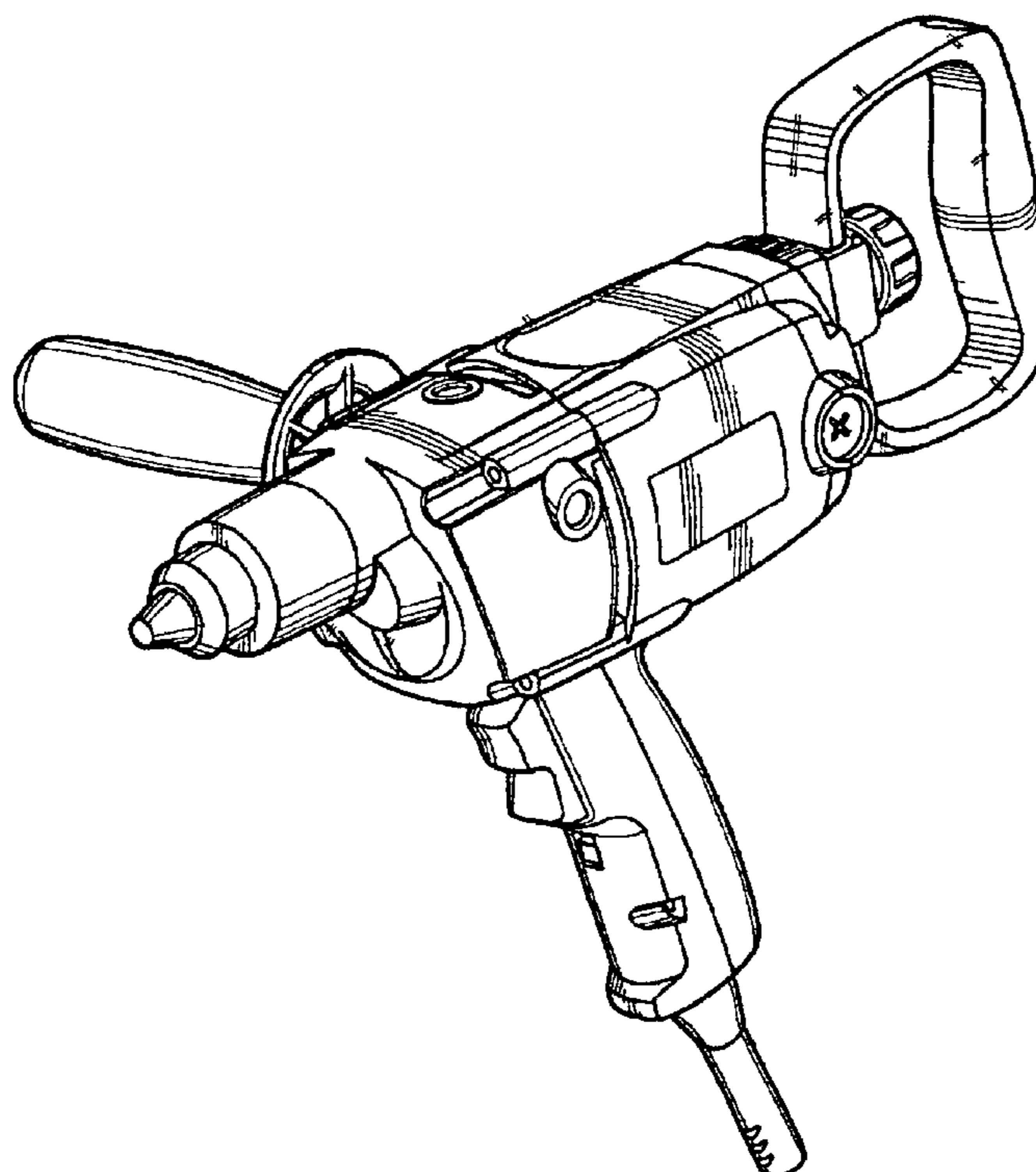
FIG. 5 is a front end view thereof;

FIG. 6 is a rear end view thereof;

FIG. 7 is a top view thereof; and,

FIG. 8 is a bottom view thereof.

1 Claim, 5 Drawing Sheets



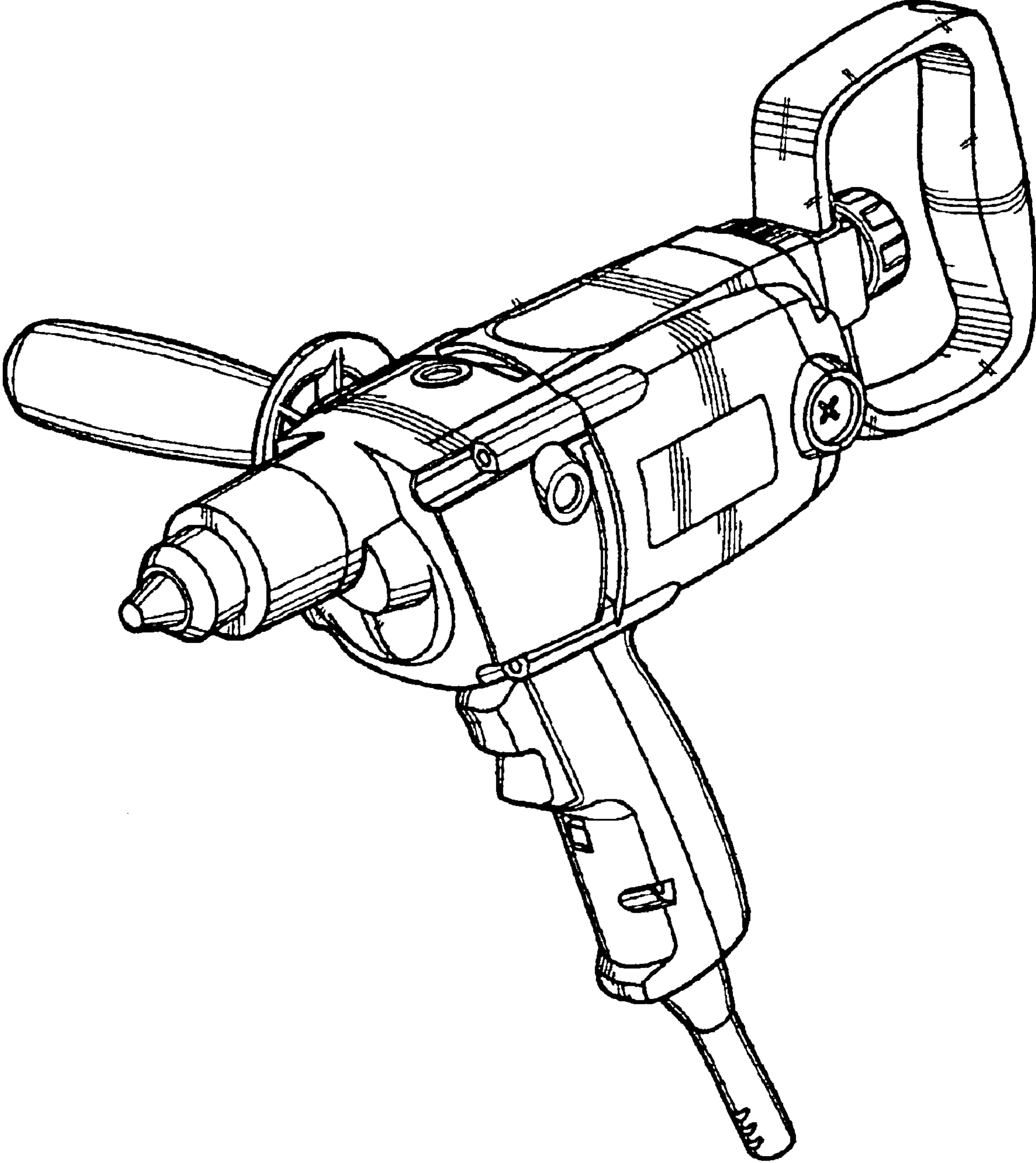


FIG. 1

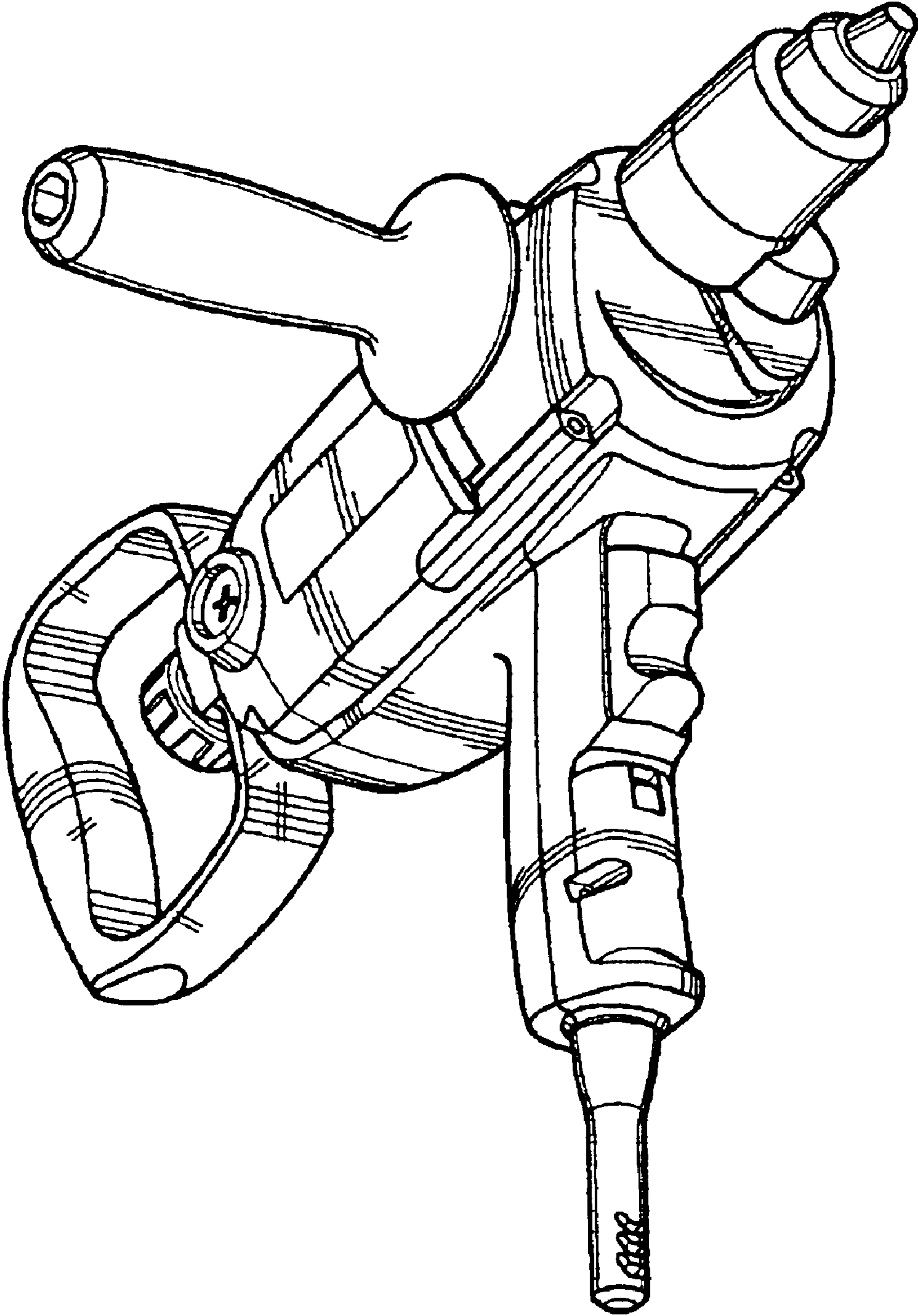


FIG. 2

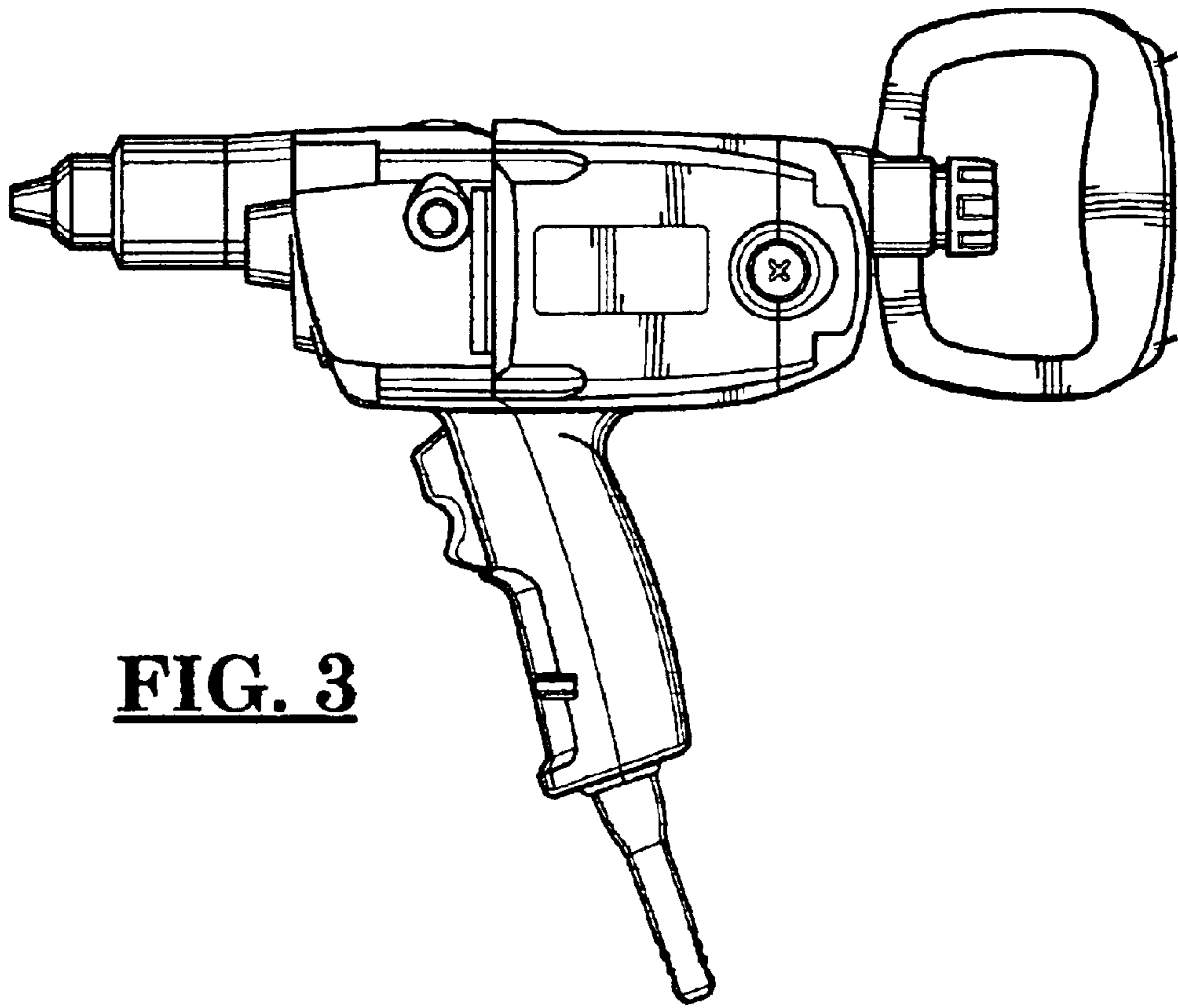


FIG. 3

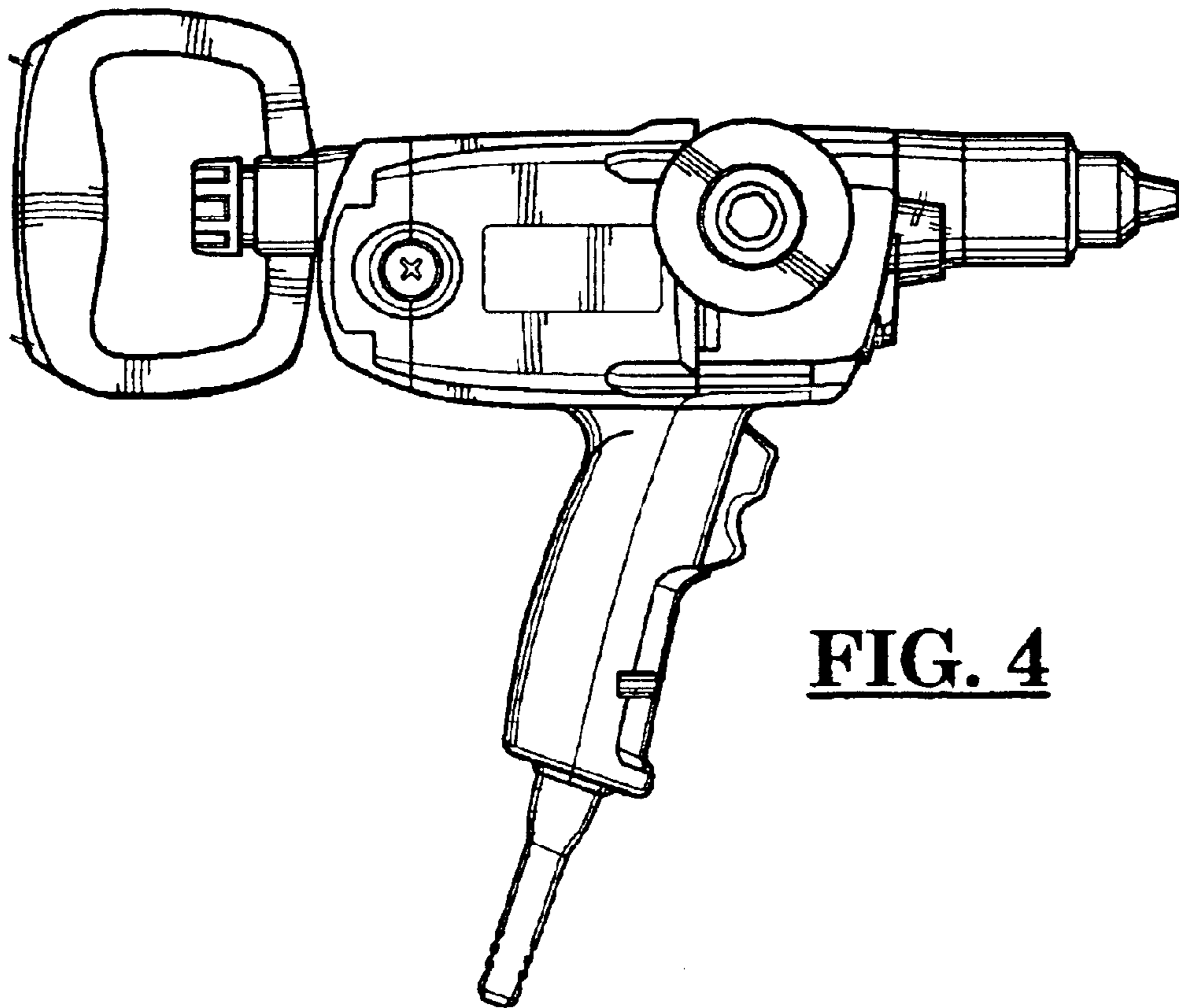


FIG. 4

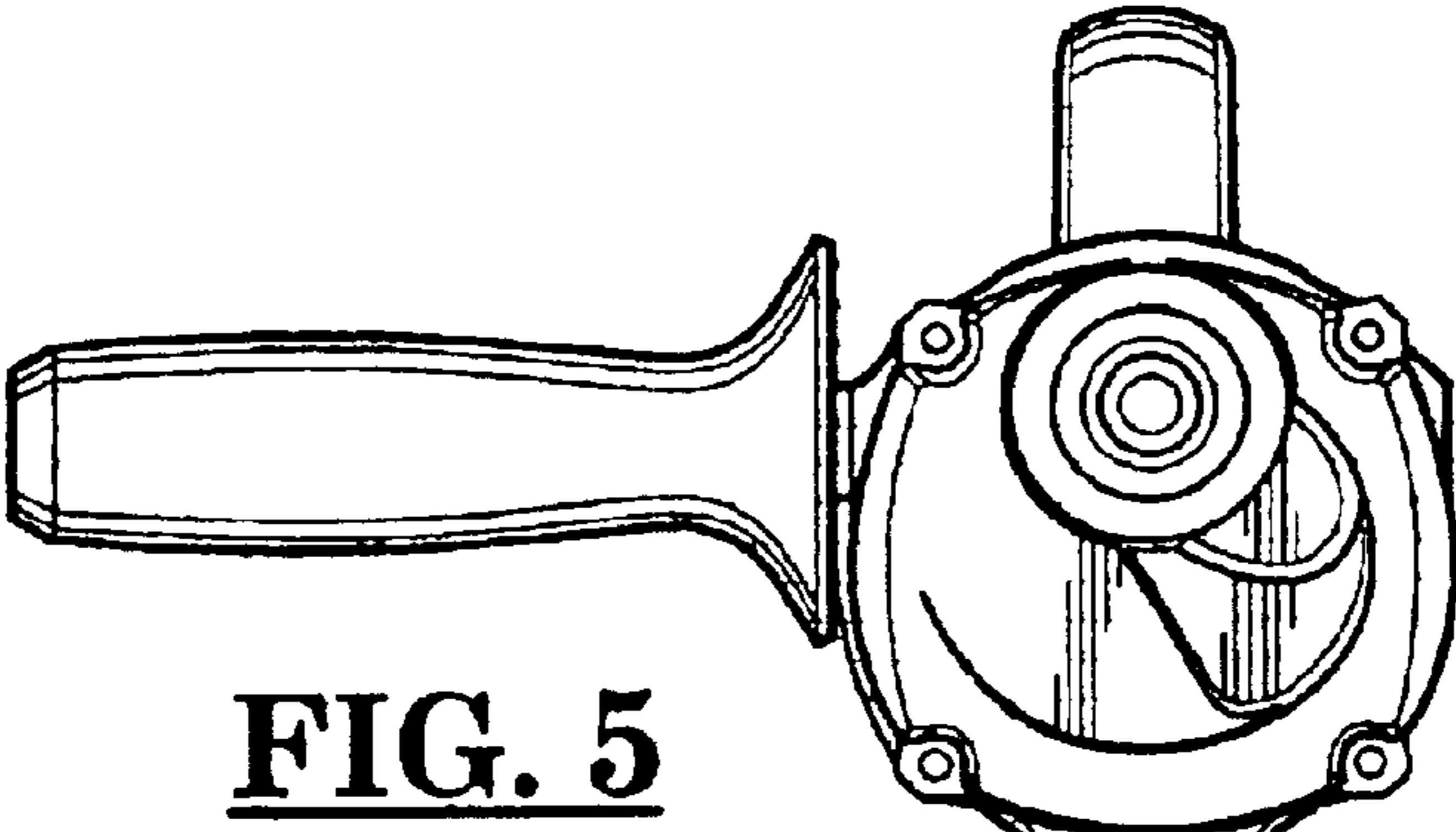


FIG. 5

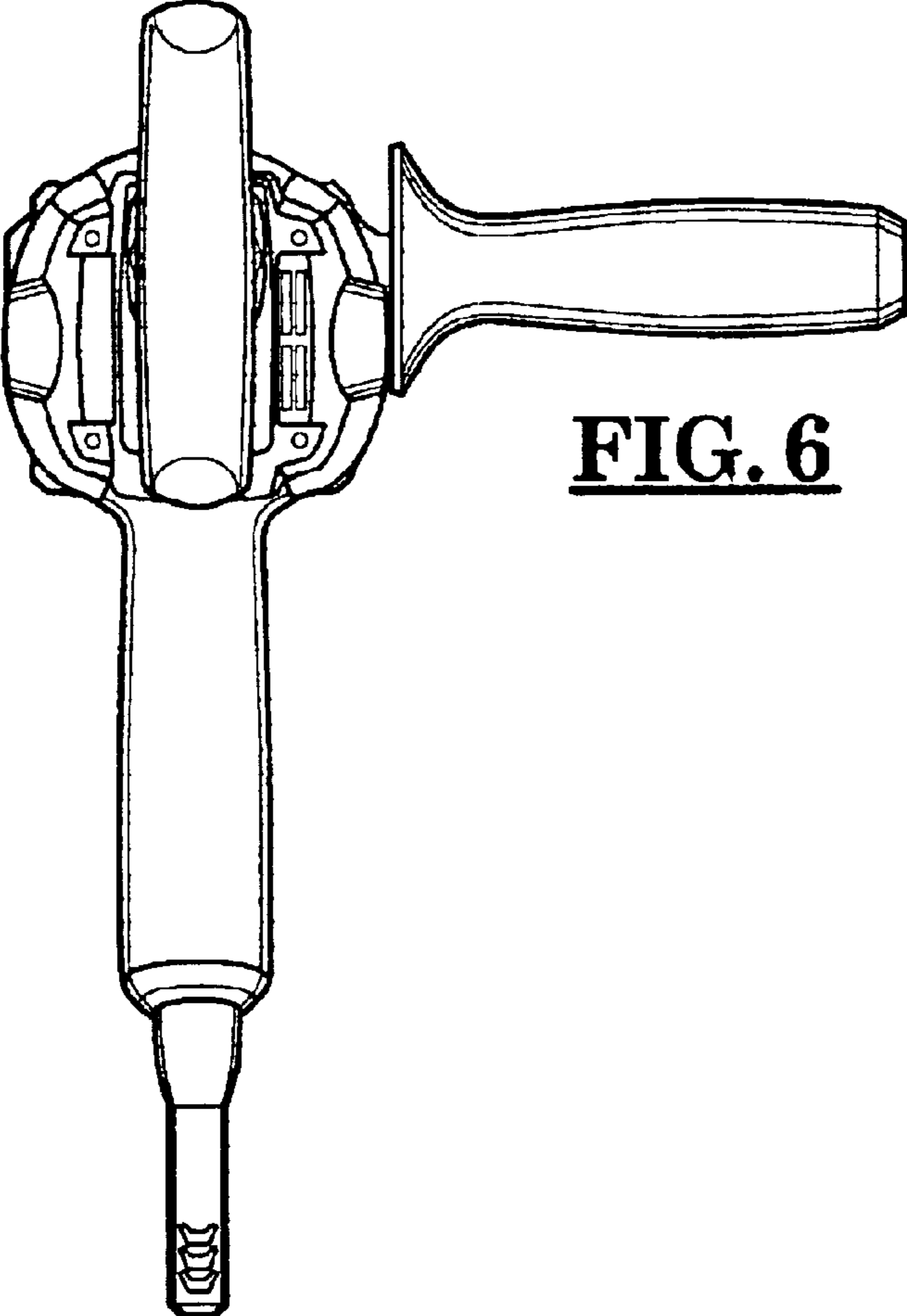


FIG. 6

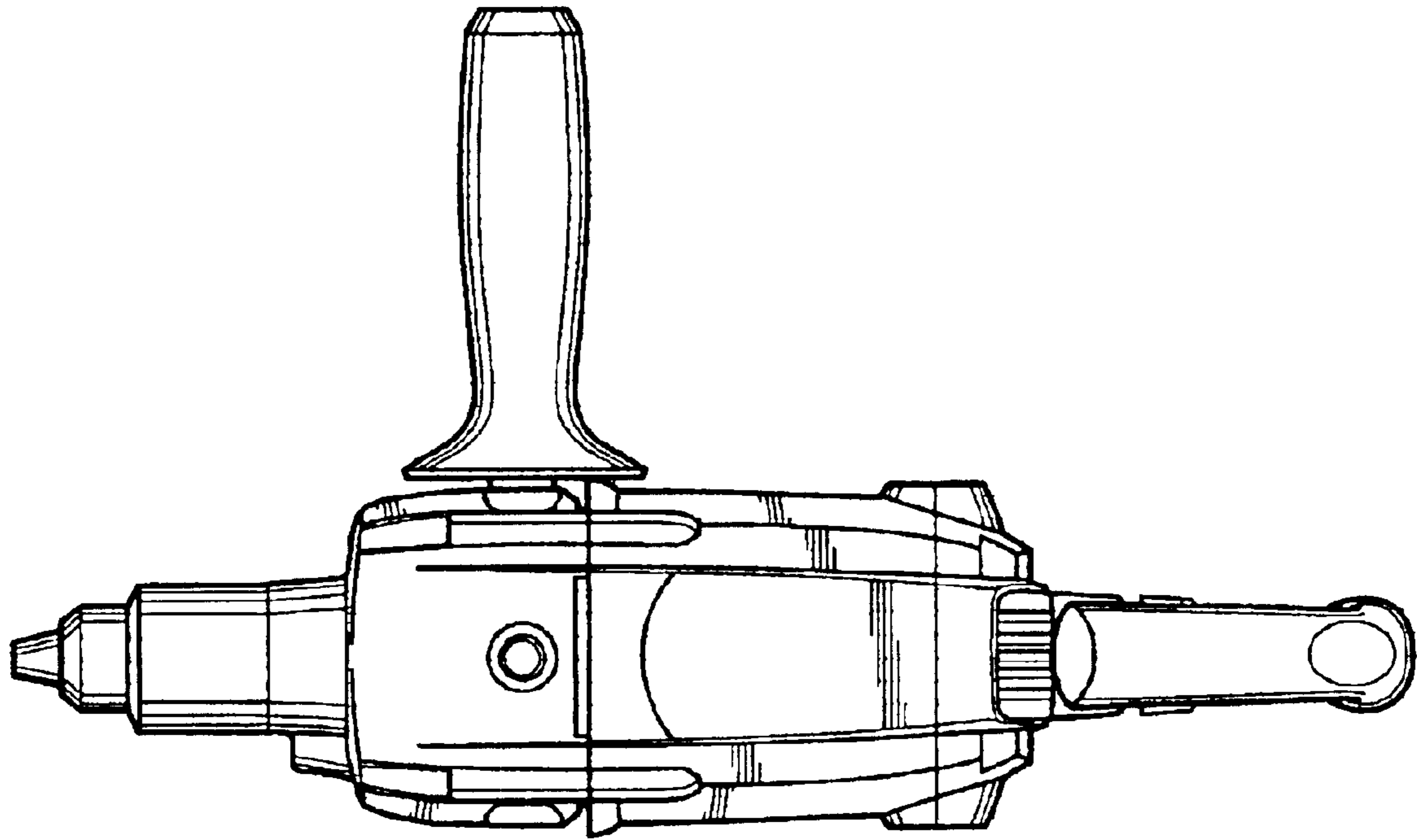


FIG. 7

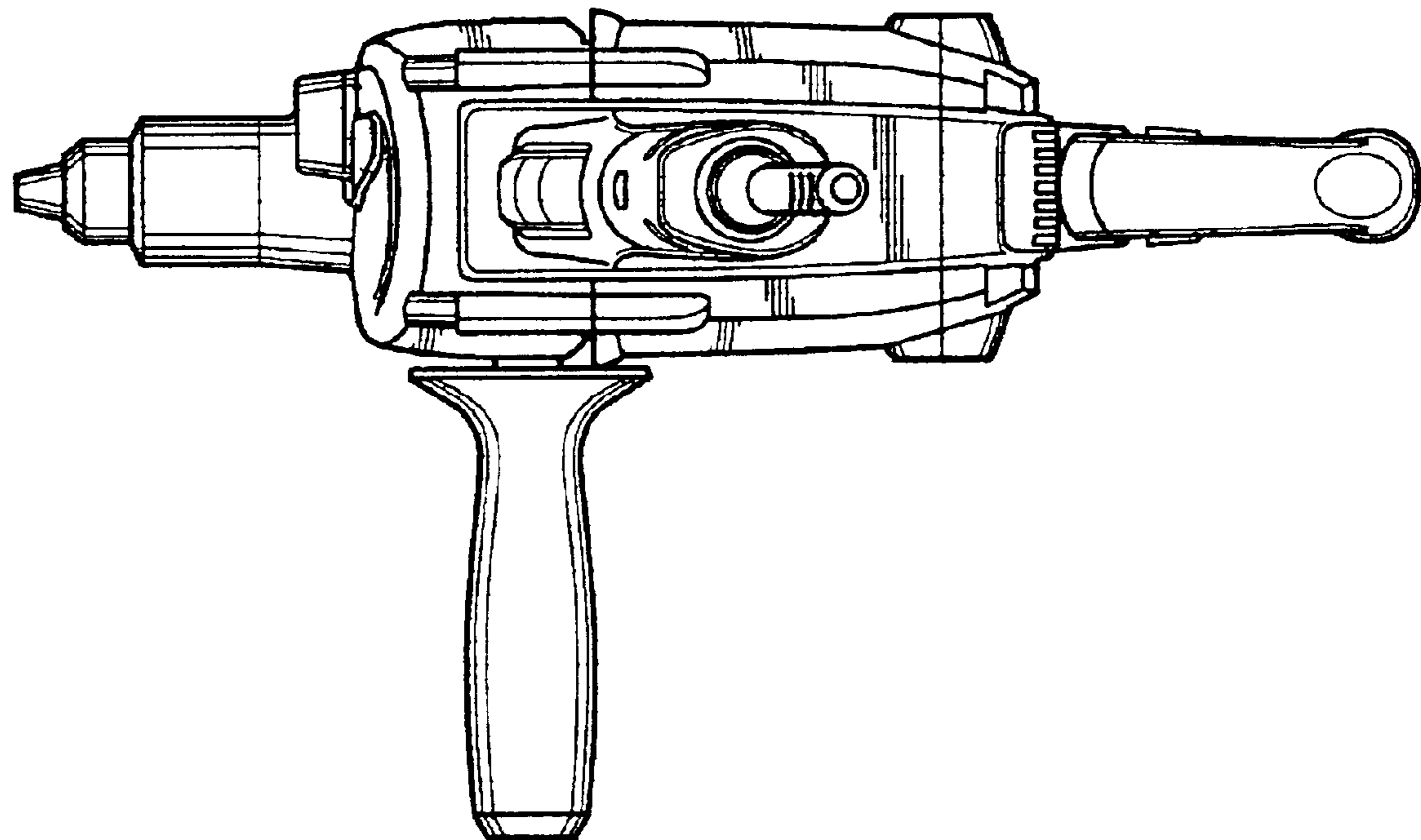


FIG. 8