

US00D494029S1

(12) **United States Design Patent**
Altman

(10) **Patent No.:** **US D494,029 S**

(45) **Date of Patent:** **** Aug. 10, 2004**

(54) **DEEP CURVED DOUBLE-CHANNEL
PULLING DEVICE**

(76) **Inventor:** **Steve Altman**, 24432 Calle Tassjara,
Murrieta, CA (US) 92562

(**) **Term:** **14 Years**

(21) **Appl. No.:** **29/163,163**

(22) **Filed:** **Jun. 27, 2002**

(51) **LOC (7) Cl.** **08-05**

(52) **U.S. Cl.** **D8/19**

(58) **Field of Search** D8/14, 16, 19,
D8/71, 349, 354; D12/223; 29/244, 283.5;
72/446, 447, 450, 457, 458, 479, 705; 248/228.7,
231.81, 300; 254/131, 133 R; 280/480;
294/92, 132

(56) **References Cited**

U.S. PATENT DOCUMENTS

- 1,616,653 A * 2/1927 Frasier et al. 72/458
- 3,452,575 A * 7/1969 Williams et al. 72/447
- 3,760,625 A * 9/1973 Archambault 72/705
- 4,038,727 A * 8/1977 Robbins 24/461

- 4,107,974 A * 8/1978 Kuhn 72/357
- 5,044,191 A * 9/1991 Combs 72/705
- D340,226 S * 10/1993 Sachs D8/356
- 6,089,075 A * 7/2000 Bramblett 72/458

* cited by examiner

Primary Examiner—James Gandy

Assistant Examiner—Elizabeth Albert

(74) *Attorney, Agent, or Firm*—Gary L. Eastman

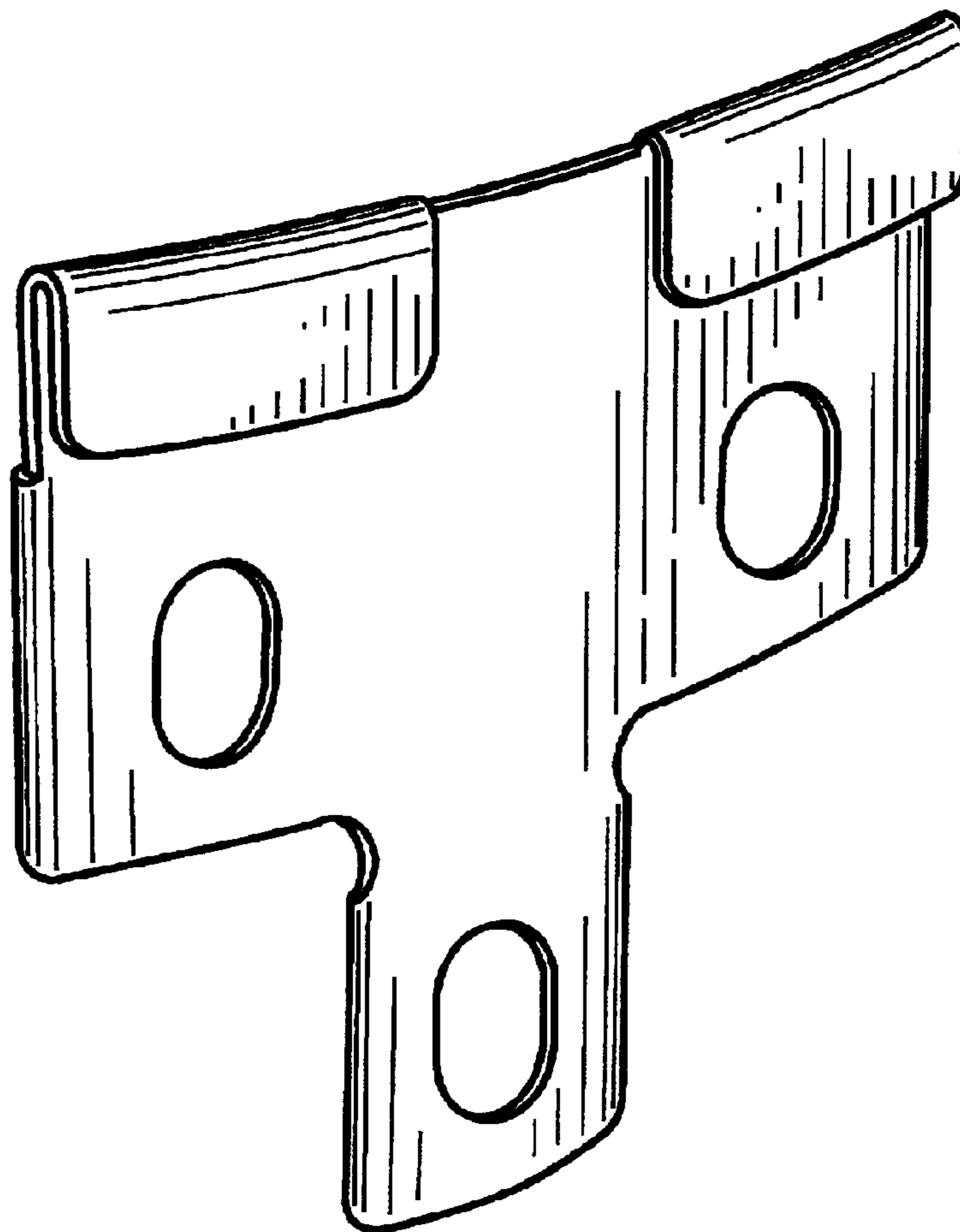
(57) **CLAIM**

The ornamental design for a deep curved double-channel pulling device, as shown and described.

DESCRIPTION

FIG. 1 is a perspective view of a deep curved double-channel pulling deviceshowing my new design;
 FIG. 2 is a front view thereof;
 FIG. 3 is a back view thereof;
 FIG. 4 is a left side view thereof; and
 FIG. 5 is a top view thereof; and,
 FIG. 6 is a bottom view thereof.
 The right side view is a mirror image of FIG. 4.

1 Claim, 2 Drawing Sheets



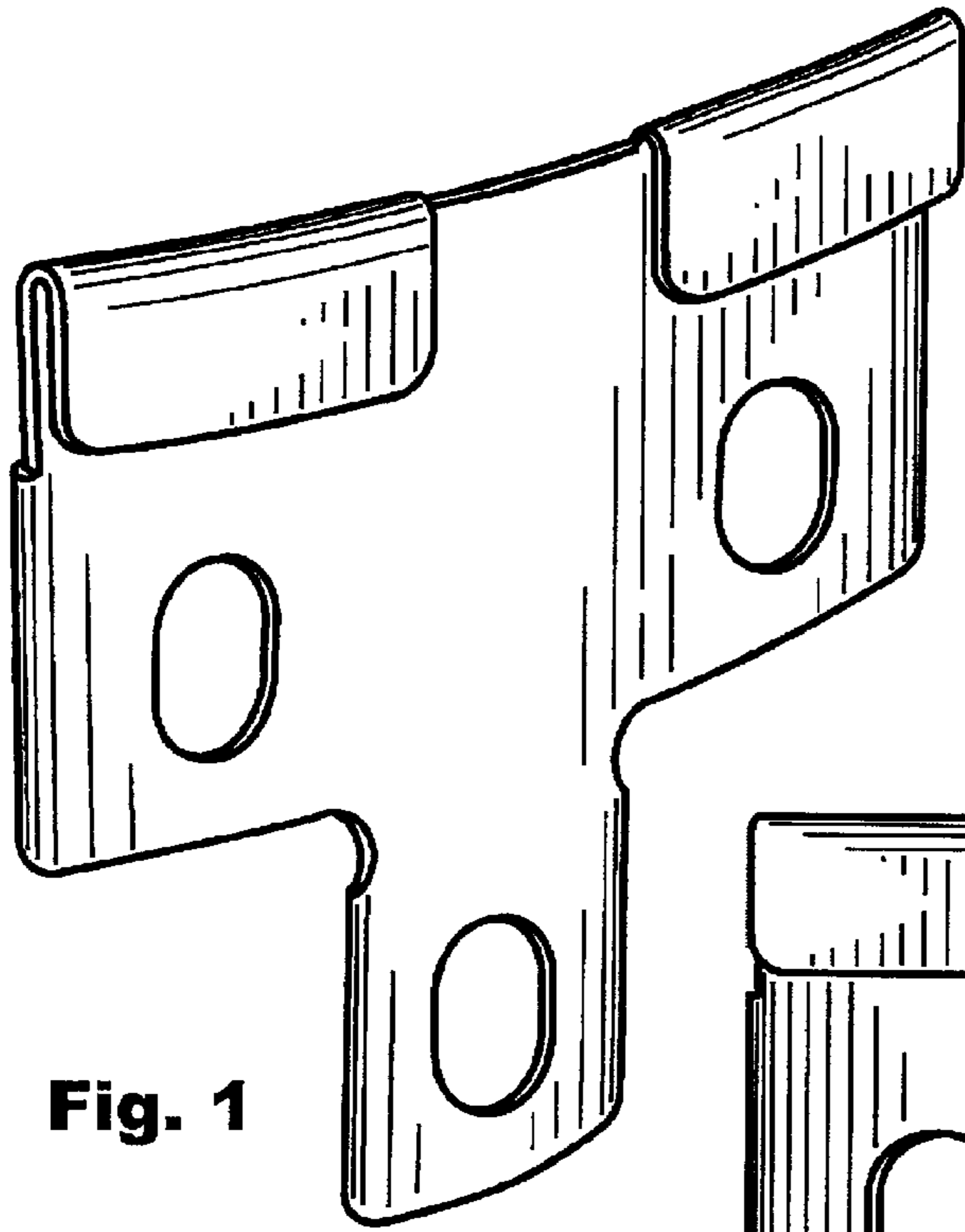


Fig. 1

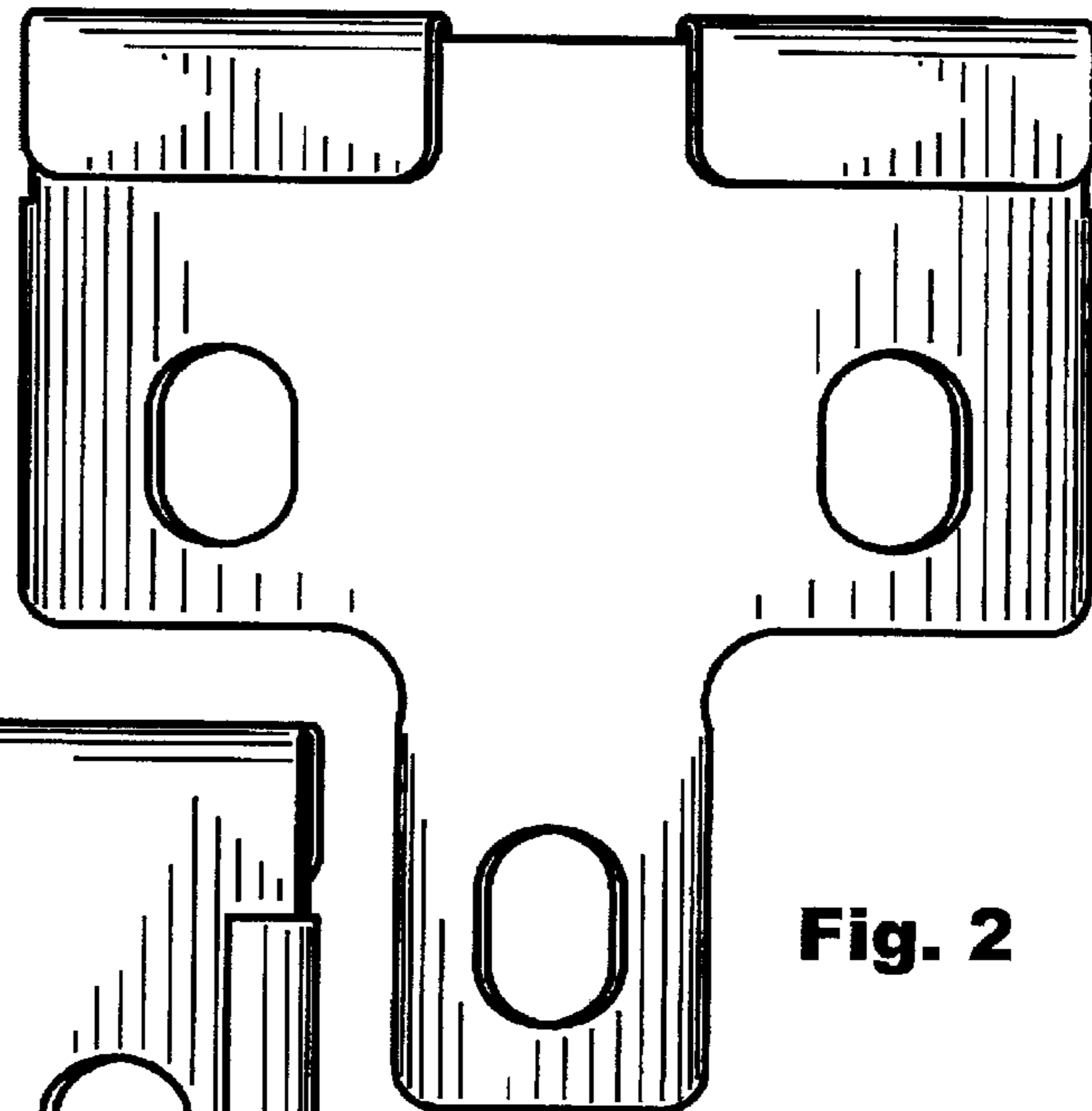


Fig. 2

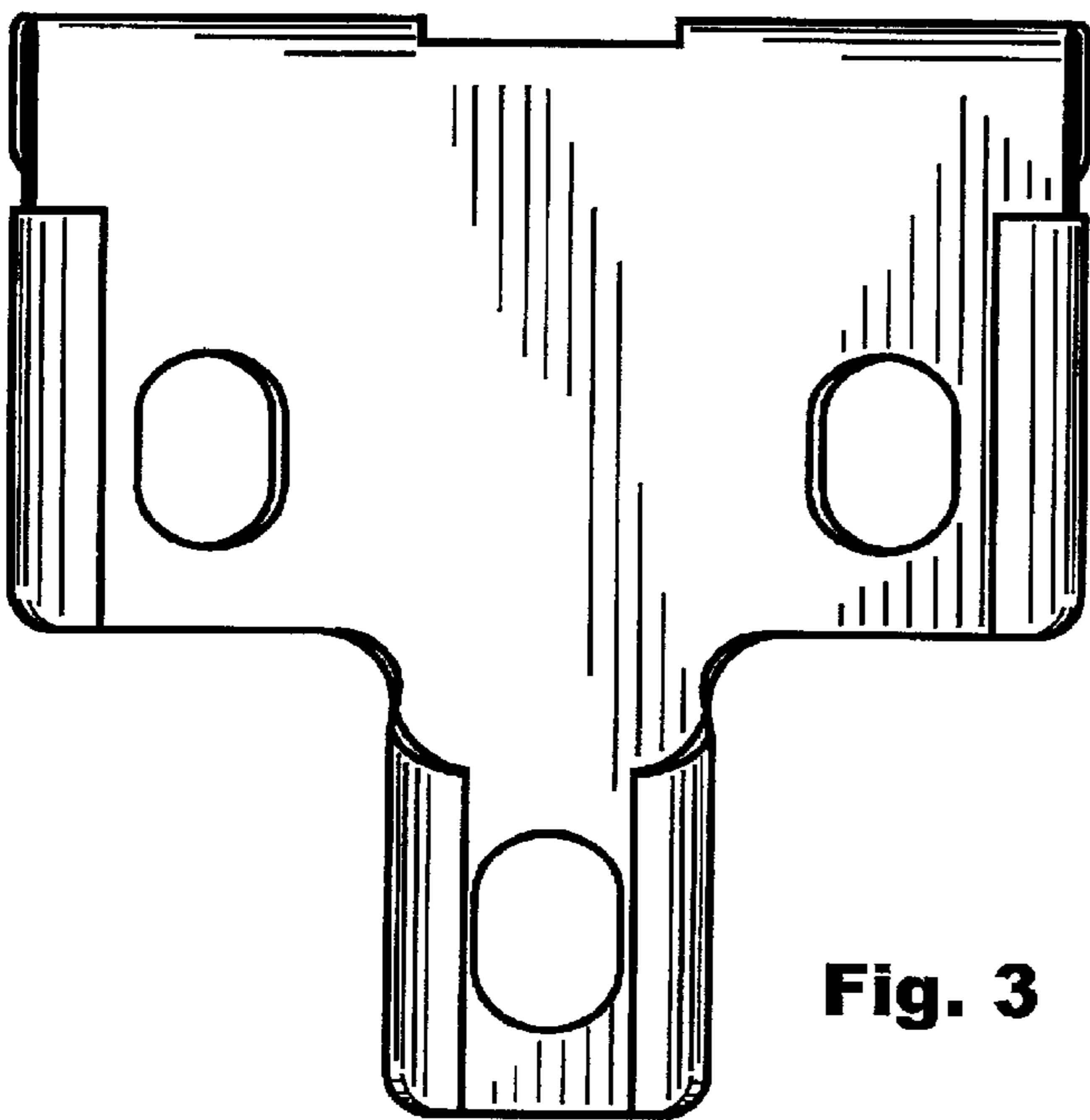


Fig. 3



Fig. 4



Fig. 5



Fig. 6