

US00D494028S1

(12) **United States Design Patent**
Stout

(10) **Patent No.:** **US D494,028 S**

(45) **Date of Patent:** **** Aug. 10, 2004**

(54) **AUXILIARY HANDLE**

(76) **Inventor:** **Ronald C. Stout**, 8310 Peck Ave.,
Anchorage, AK (US) 99504

(**) **Term:** **14 Years**

(21) **Appl. No.:** **29/187,717**

(22) **Filed:** **Aug. 5, 2003**

(51) **LOC (7) Cl.** **08-05**

(52) **U.S. Cl.** **D8/14**

(58) **Field of Search** D8/1, 14, 21, 28,
D8/DIG. 1, 105; 74/545-548, 555-558;
16/429, 432

(56) **References Cited**

U.S. PATENT DOCUMENTS

D183,290 S * 7/1958 Shock D8/1
D392,856 S * 3/1998 Shaw et al. D8/14

D433,892 S * 11/2000 Swank et al. D8/14

* cited by examiner

Primary Examiner—Nanda Bondade

(74) *Attorney, Agent, or Firm*—Stratton Ballew PLLC

(57) **CLAIM**

The ornamental design for an auxiliary handle, as shown and described.

DESCRIPTION

FIG. 1 is a front perspective view of an auxiliary handle showing my new design;

FIG. 2 is a top perspective view thereof;

FIG. 3 is a top and side perspective view thereof;

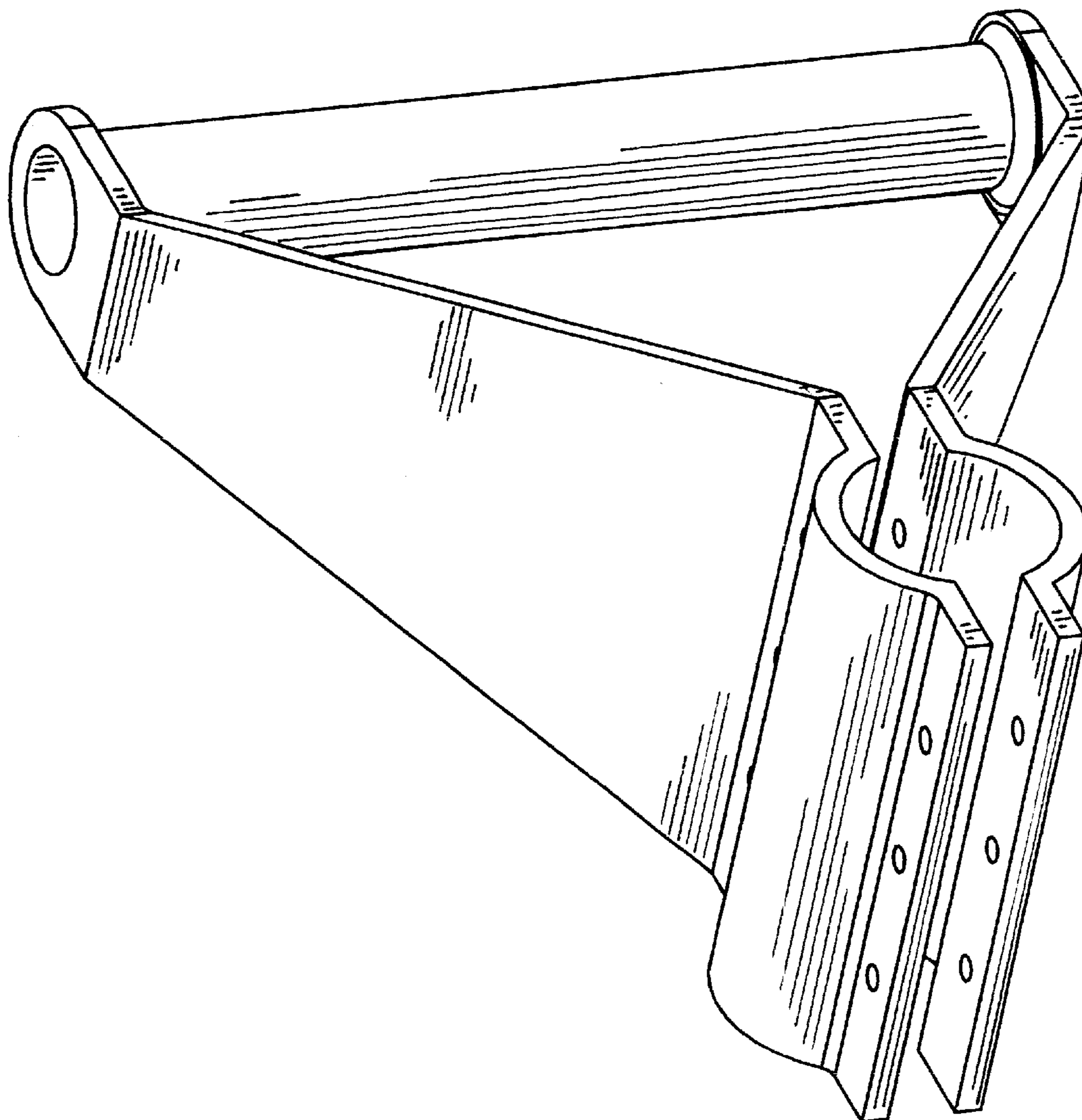
FIG. 4 is a top view thereof;

FIG. 5 is a side view thereof;

FIG. 6 is a front view thereof; and,

FIG. 7 is a rear view thereof.

1 Claim, 7 Drawing Sheets



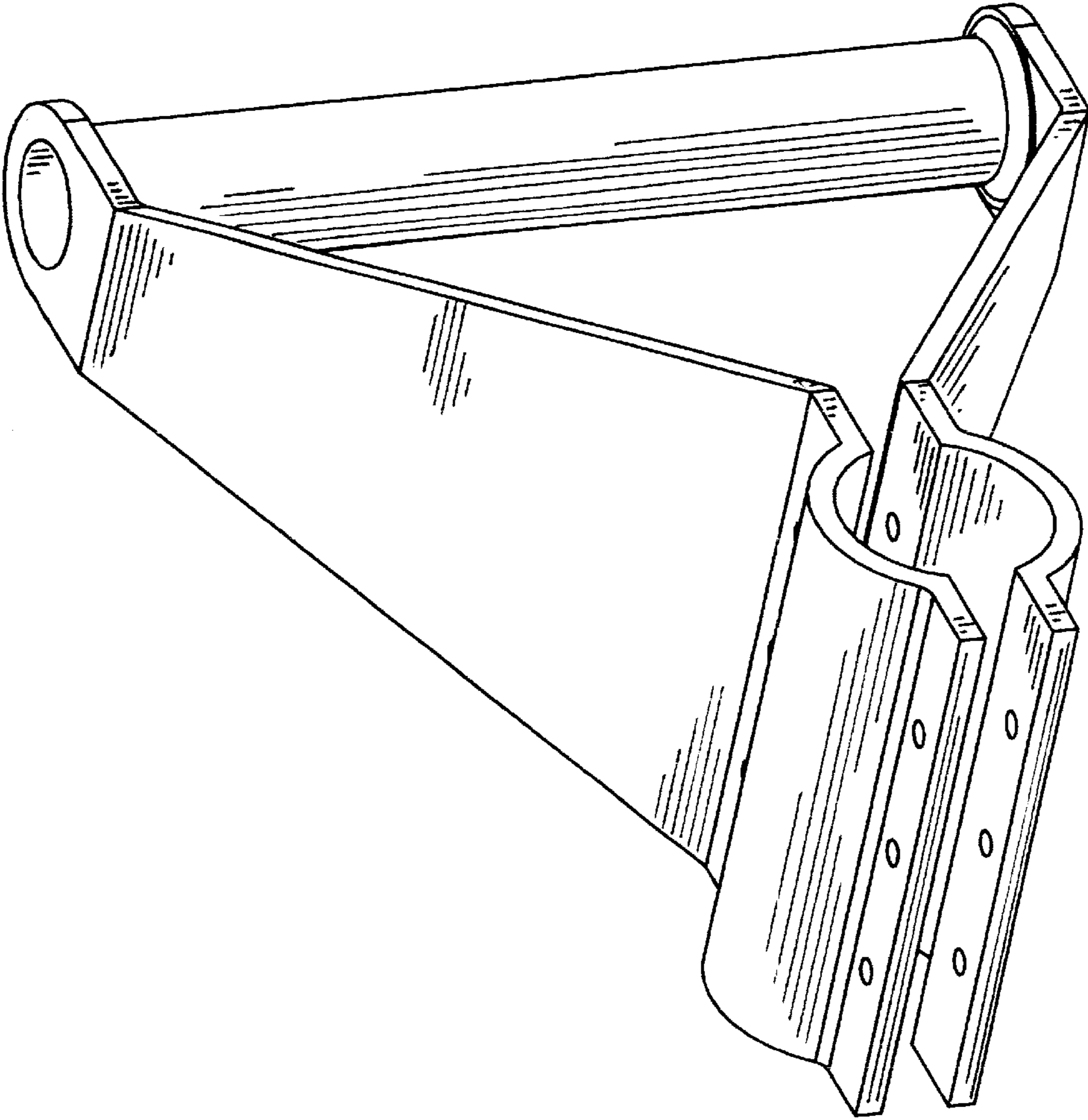


FIG. 1

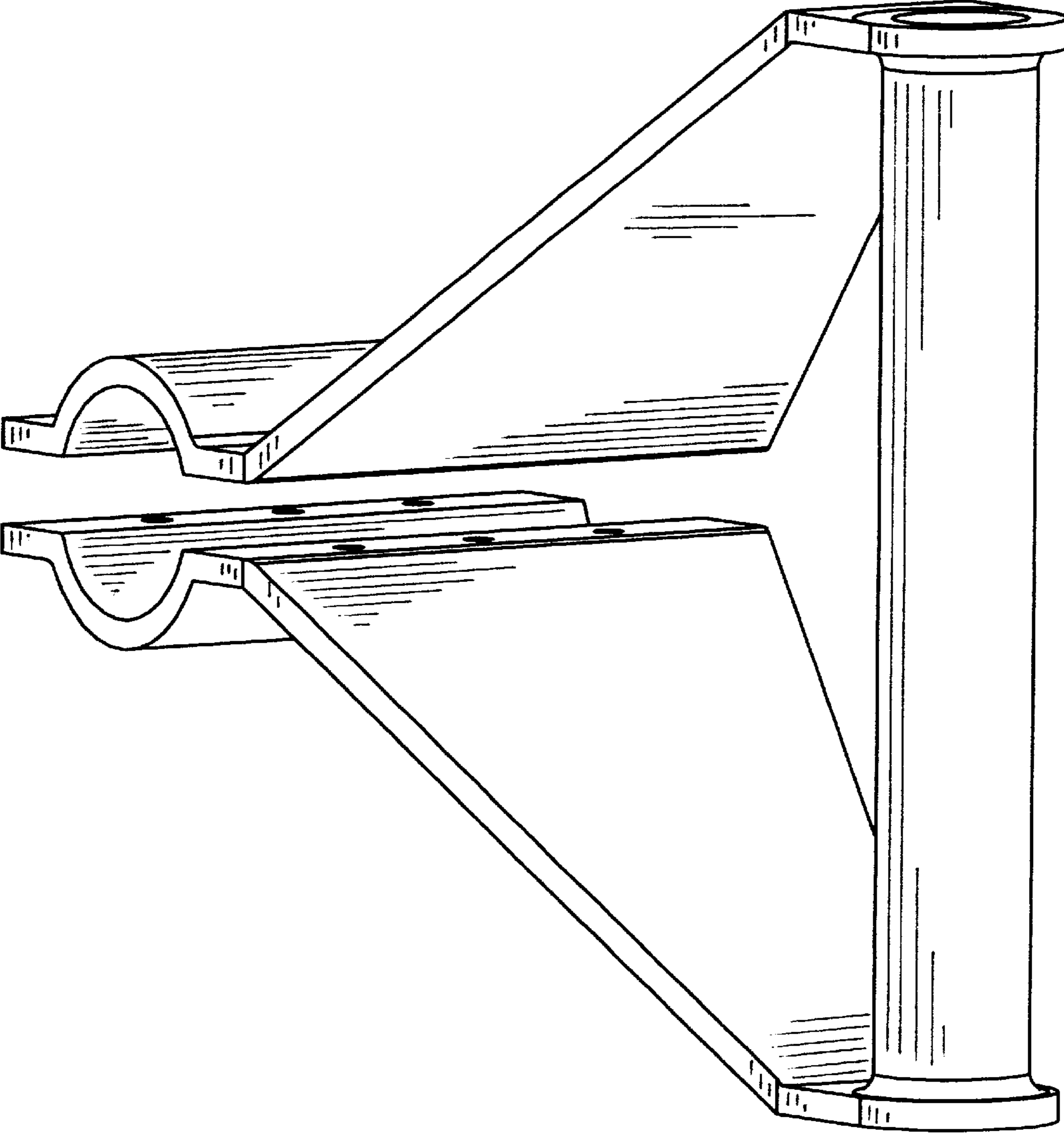


FIG. 2

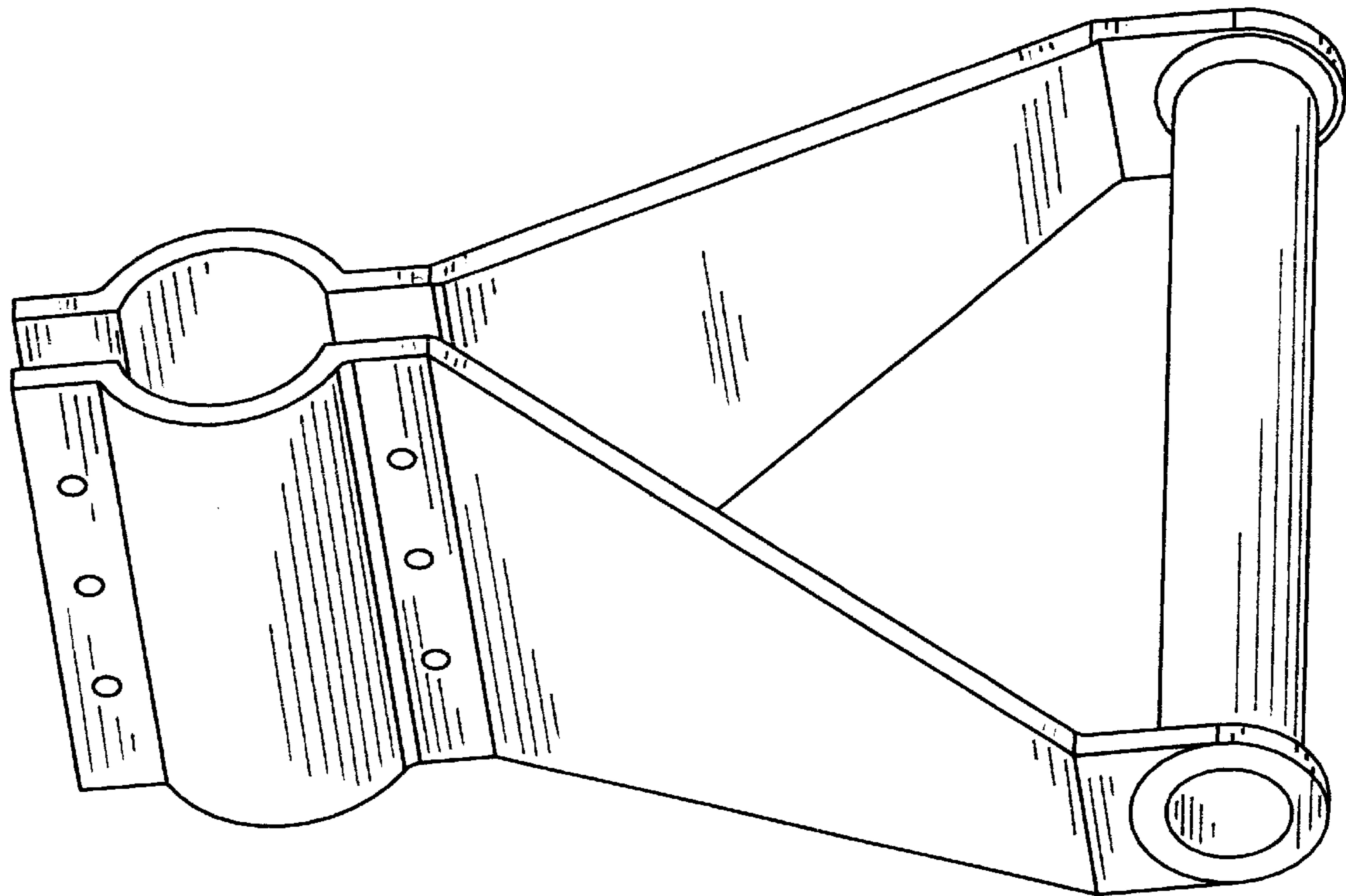


FIG. 3

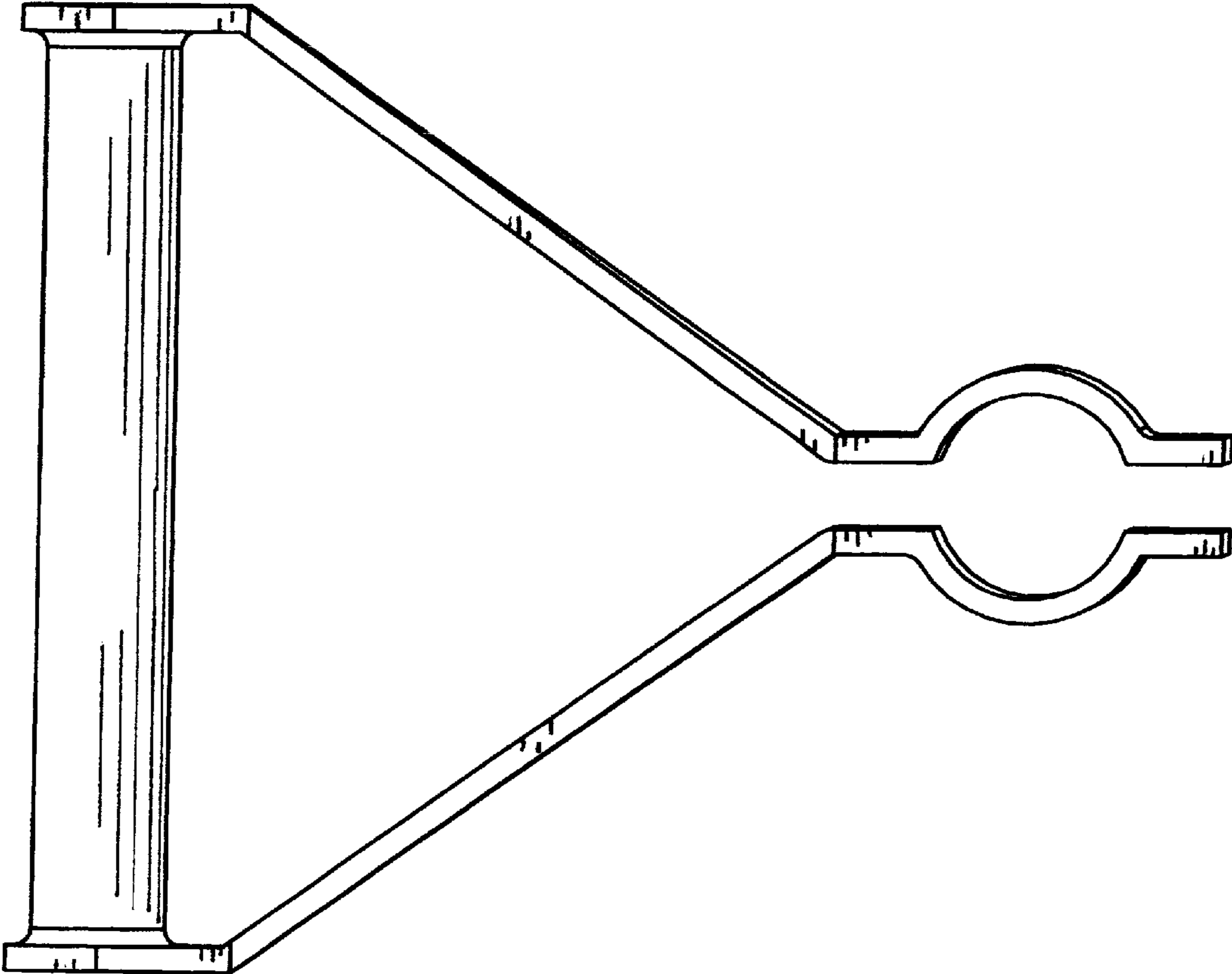


FIG. 4

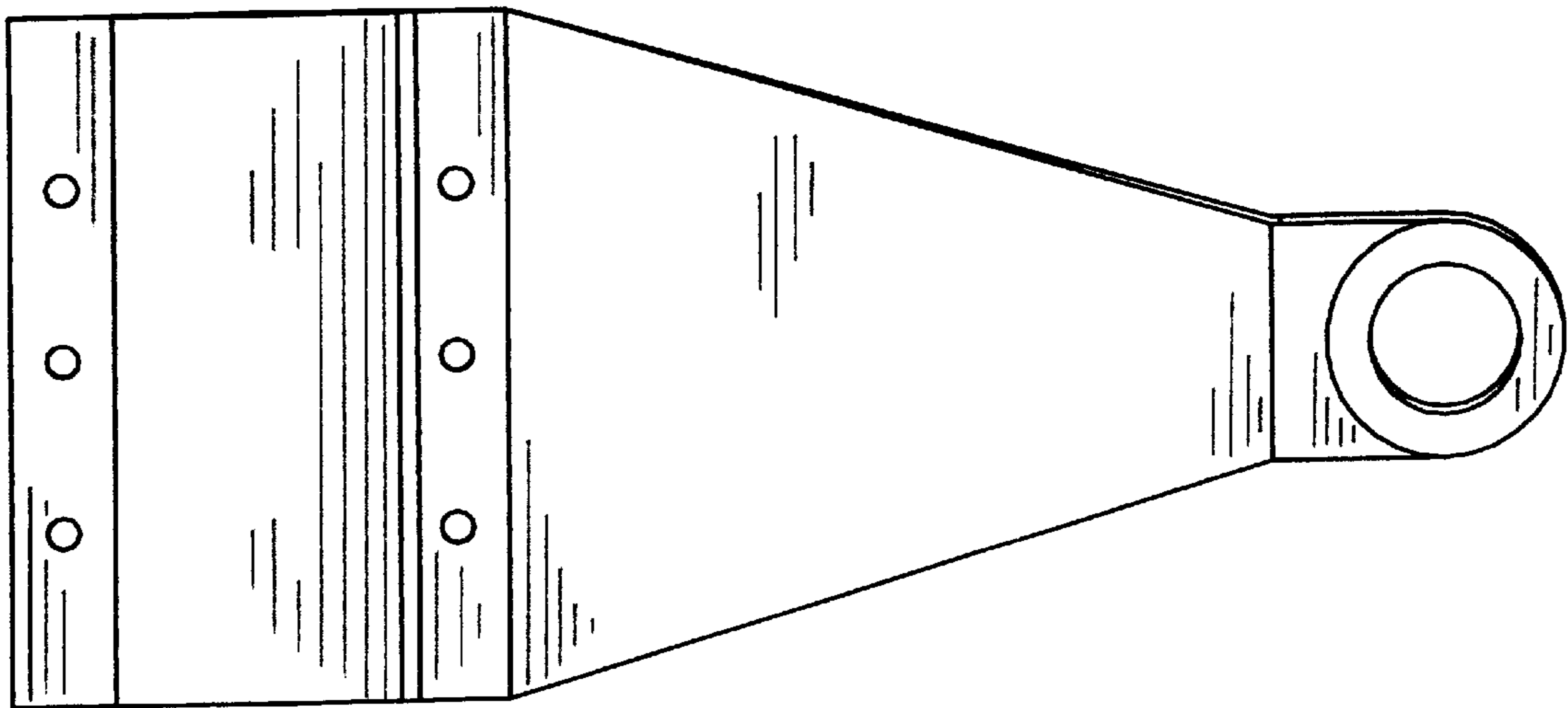


FIG. 5

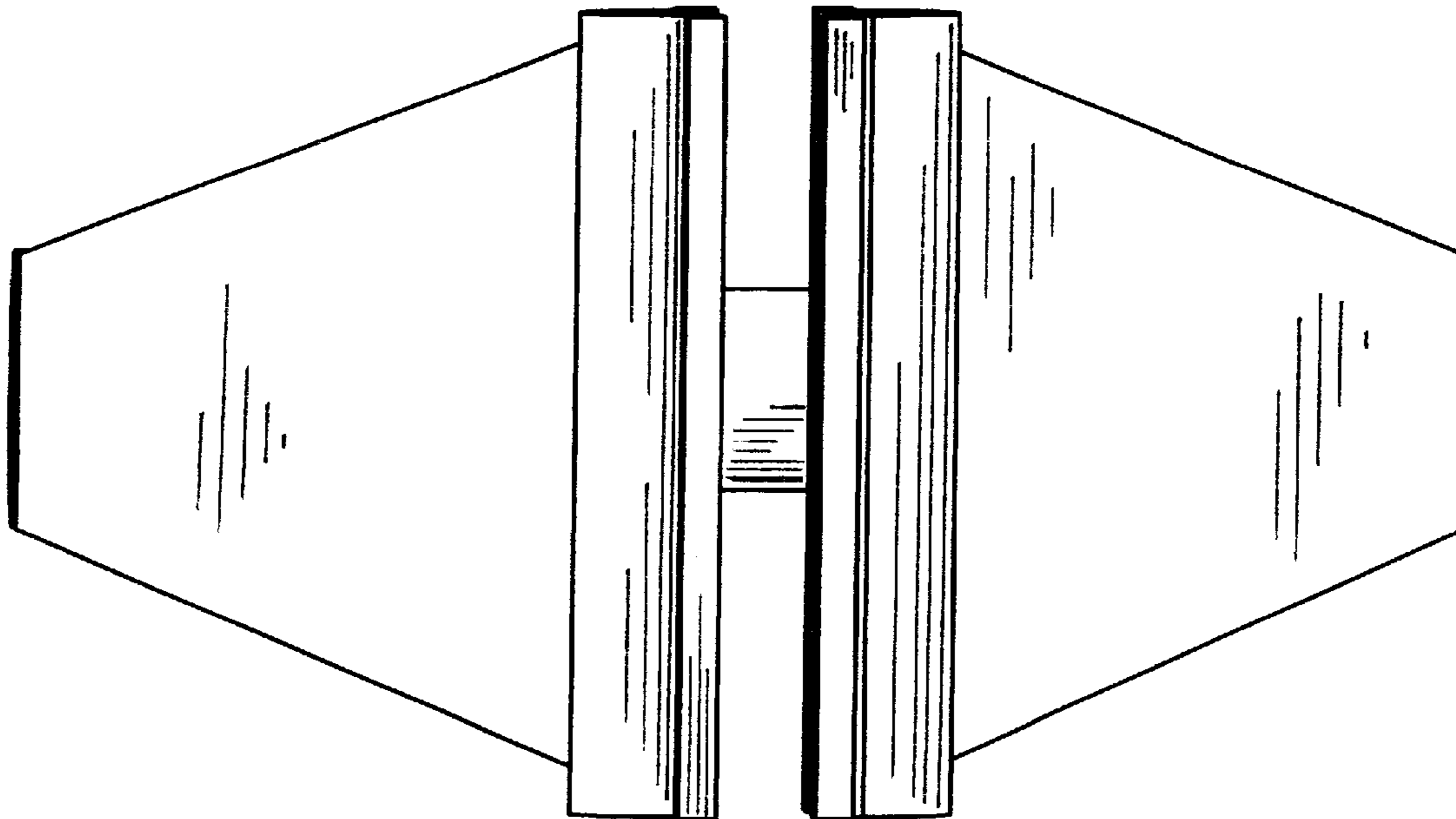


FIG. 6

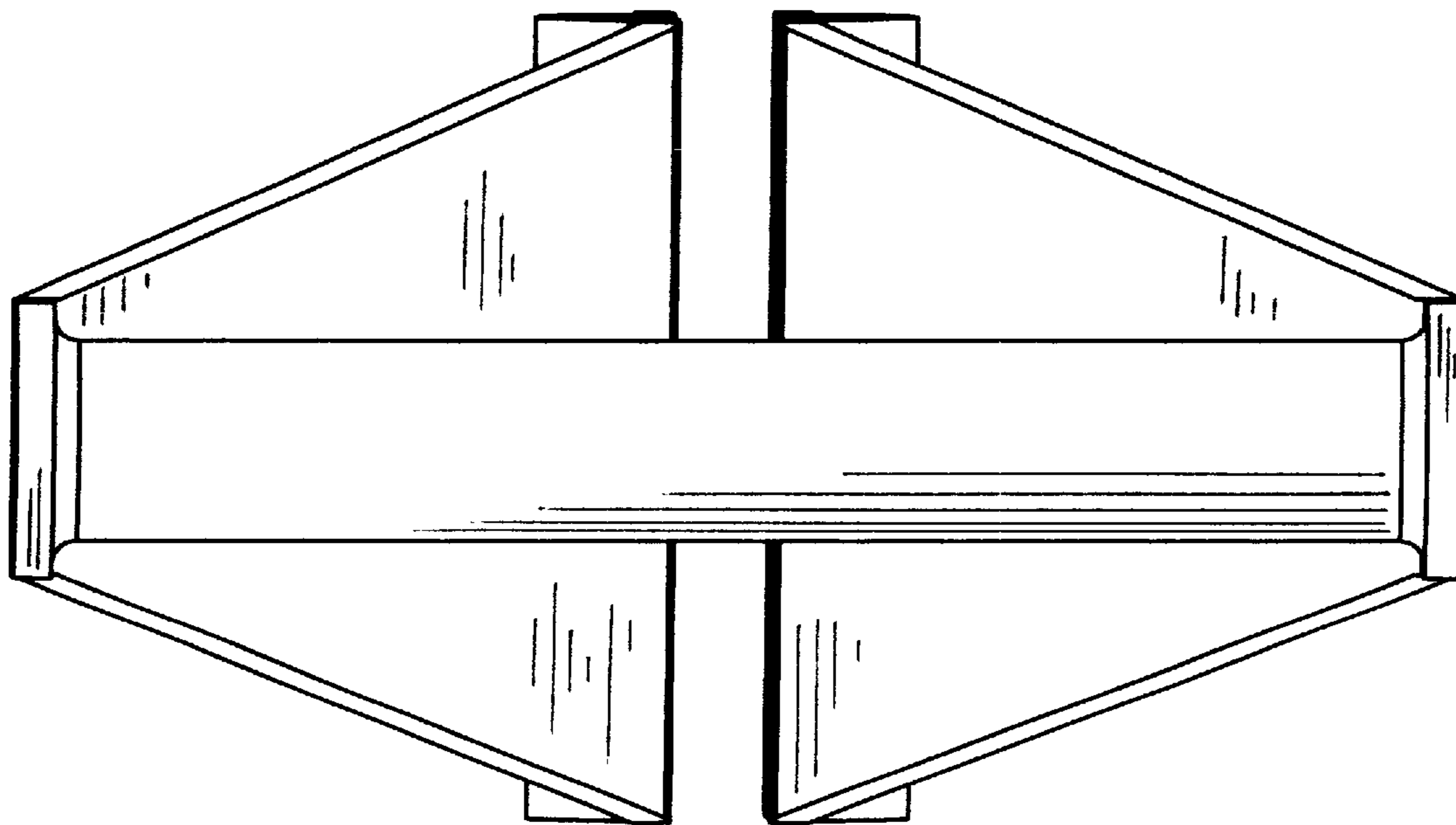


FIG. 7