

US00D494025S1

(12) **United States Design Patent**  
**Wong**

(10) **Patent No.:** **US D494,025 S**

(45) **Date of Patent:** **\*\* Aug. 10, 2004**

(54) **MINI GRATER**

(76) **Inventor:** **Yan Kwong Wong**, Unit 1016-17,  
10/F., Metro Centre II, 21 Lam Hing  
Street, Kowloon Bay, Kowloon (HK)

(\*\*) **Term:** **14 Years**

(21) **Appl. No.:** **29/185,164**

(22) **Filed:** **Jun. 24, 2003**

(30) **Foreign Application Priority Data**

Jan. 24, 2003 (HK) ..... 0310142

(51) **LOC (7) Cl.** ..... **07-04**

(52) **U.S. Cl.** ..... **D7/678**

(58) **Field of Search** ..... D7/678, 693; 241/93,  
241/95, 273.1-273.4, 168, 169, 101.1, 101.2;  
99/495, 510

(56) **References Cited**

**U.S. PATENT DOCUMENTS**

3,583,454 A *	6/1971	Borner	.....	241/95
4,212,431 A *	7/1980	Doyel	.....	241/100
D334,875 S *	4/1993	Behnke	.....	D7/678
D361,694 S	8/1995	Wong		
D378,182 S	2/1997	Wong		
D391,802 S	3/1998	Wong		
D391,804 S	3/1998	Wong		
D393,576 S	4/1998	Wong		
D395,194 S	6/1998	Wong		
D408,693 S	4/1999	Wong		
D414,983 S	10/1999	Wong		
D426,743 S	6/2000	Wong		

D426,744 S	6/2000	Wong
D430,775 S	9/2000	Wong
D433,594 S	11/2000	Wong
D433,871 S	11/2000	Wong
D446,691 S	8/2001	Wong
D447,019 S	8/2001	Wong
D447,022 S	8/2001	Wong
D448,629 S	10/2001	Wong
D449,766 S	10/2001	Wong
D458,812 S	6/2002	Wong
D465,137 S	11/2002	Wong
D474,080 S	5/2003	Wong et al.

\* cited by examiner

*Primary Examiner*—Terry A. Wallace

(74) *Attorney, Agent, or Firm*—Salter & Michaelson

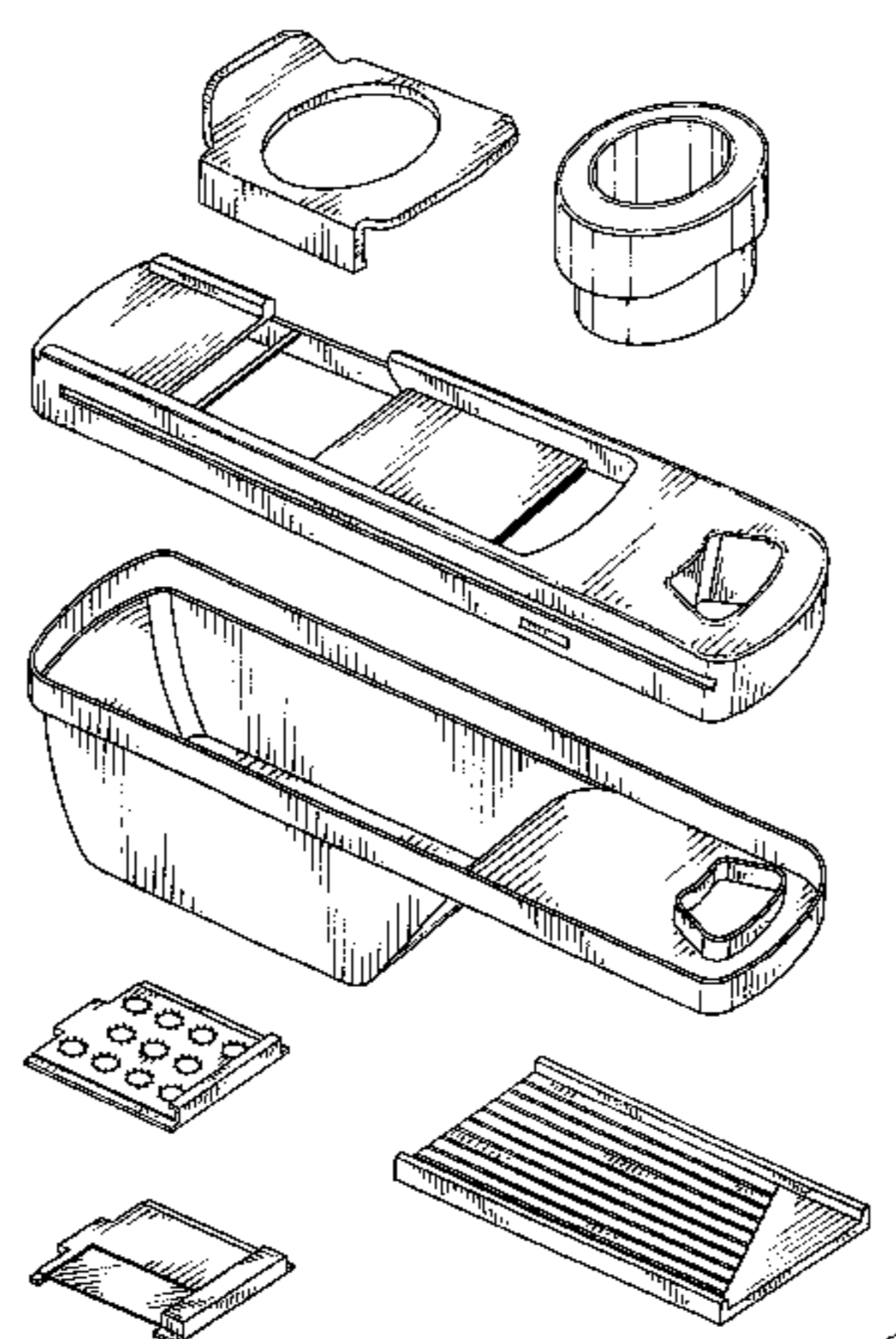
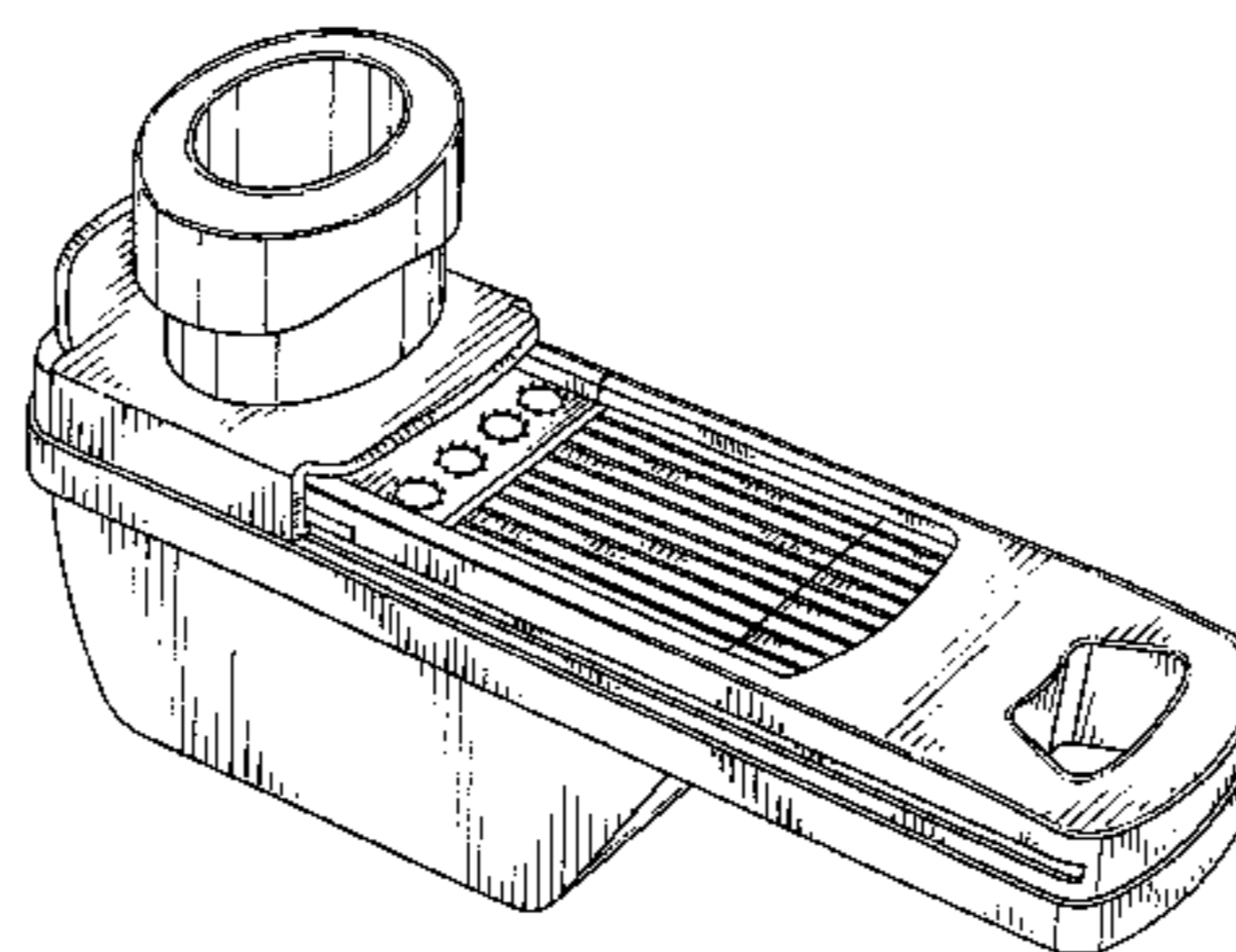
(57) **CLAIM**

The ornamental design for a mini grater, as shown.

**DESCRIPTION**

FIG. 1 is a perspective view of the mini grater showing my new design;  
 FIG. 2 is an exploded perspective view thereof;  
 FIG. 3 is a left side elevational view thereof;  
 FIG. 4 is a right side elevational view thereof;  
 FIG. 5 is a front elevational view thereof;  
 FIG. 6 is a rear elevational view thereof;  
 FIG. 7 is a perspective view thereof;  
 FIG. 8 is a top plan view thereof; and,  
 FIG. 9 is a bottom plan view thereof.  
 The claimed design is shown without all the attachments in FIGS. 3-7 for ease of illustration.

**1 Claim, 5 Drawing Sheets**



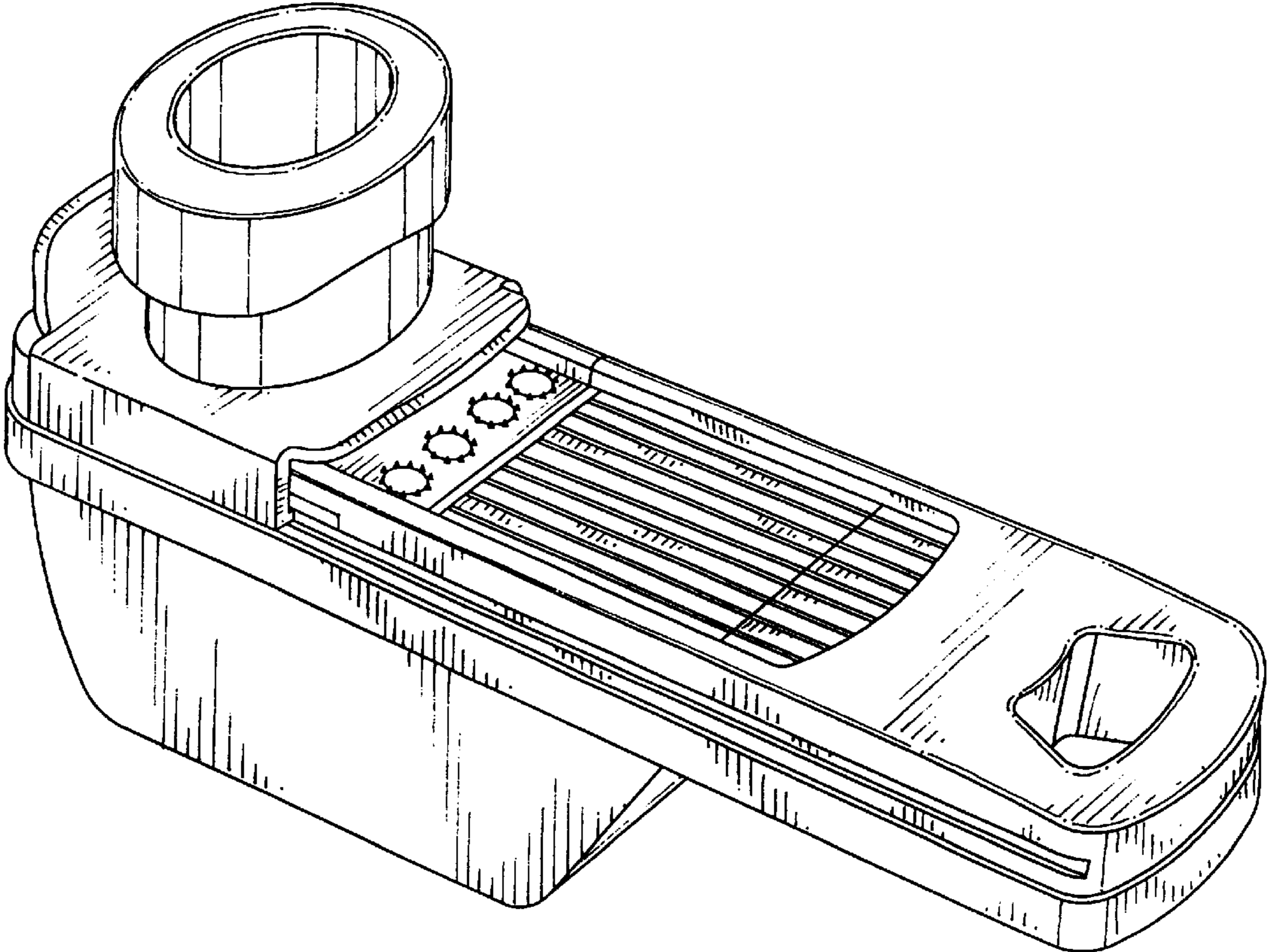


FIG. 1

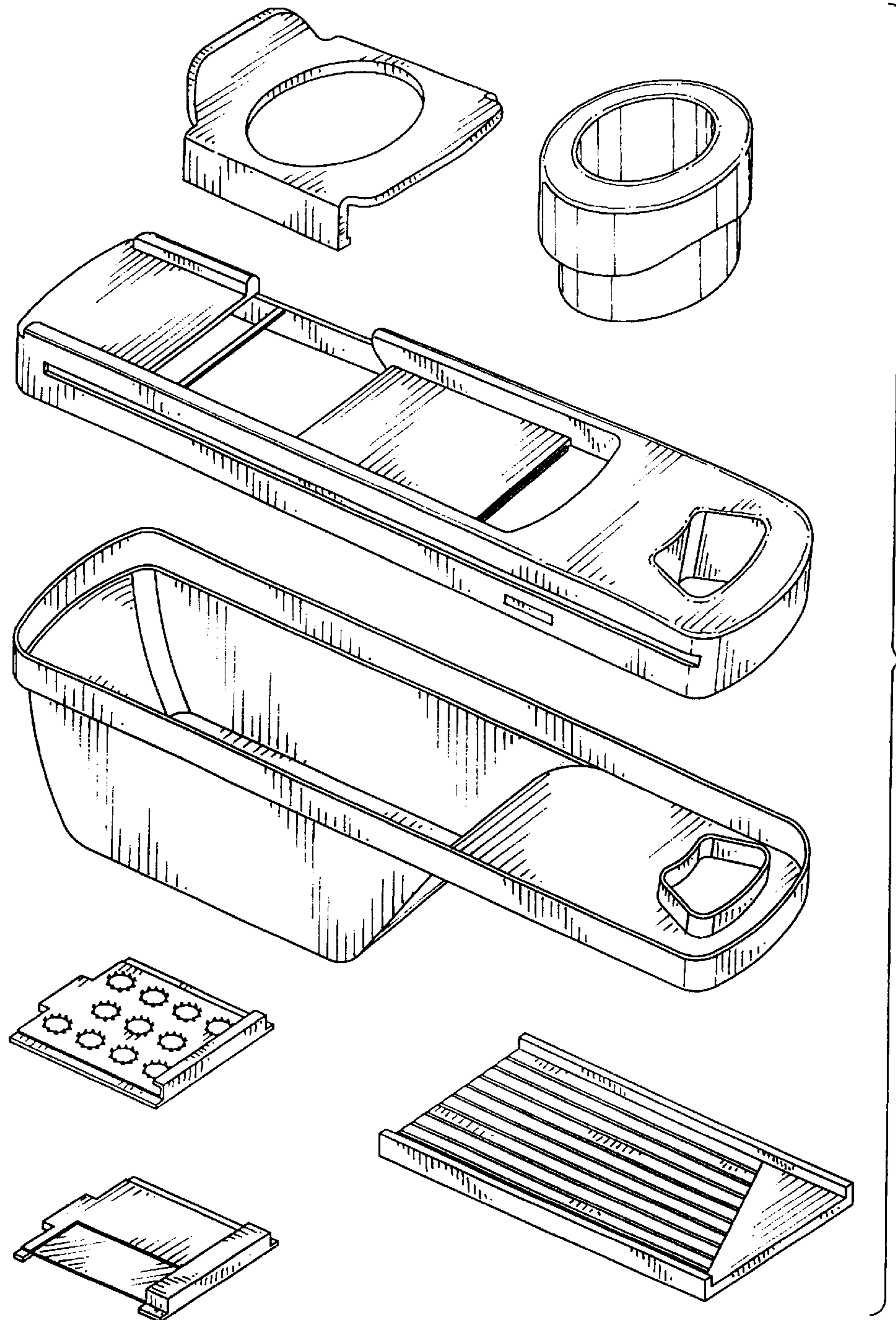


FIG. 2

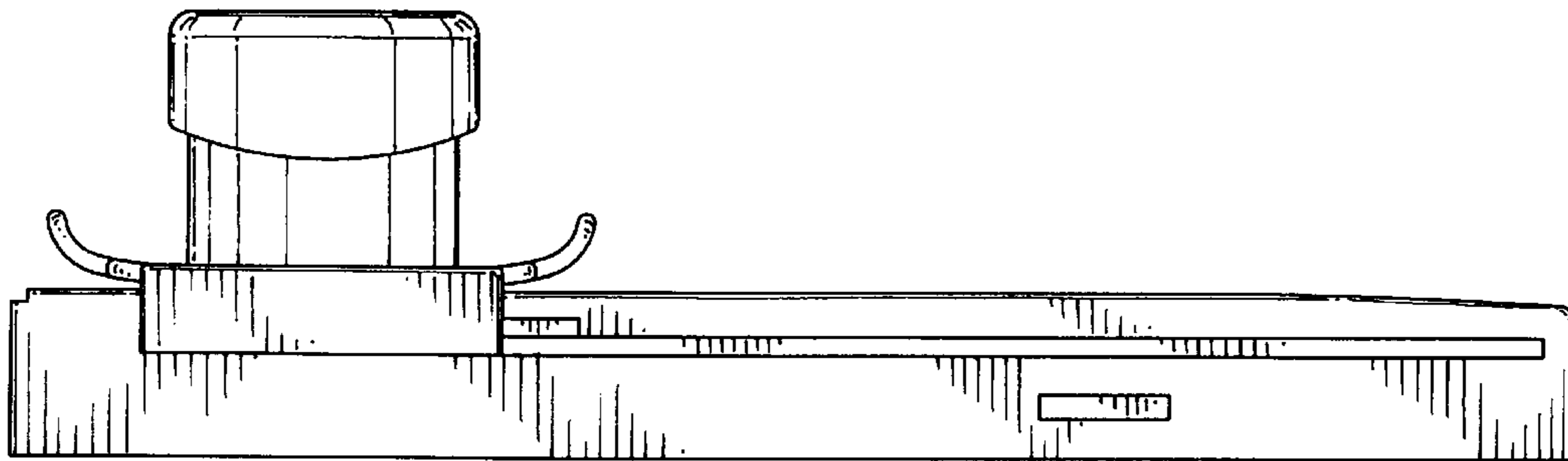


FIG. 3

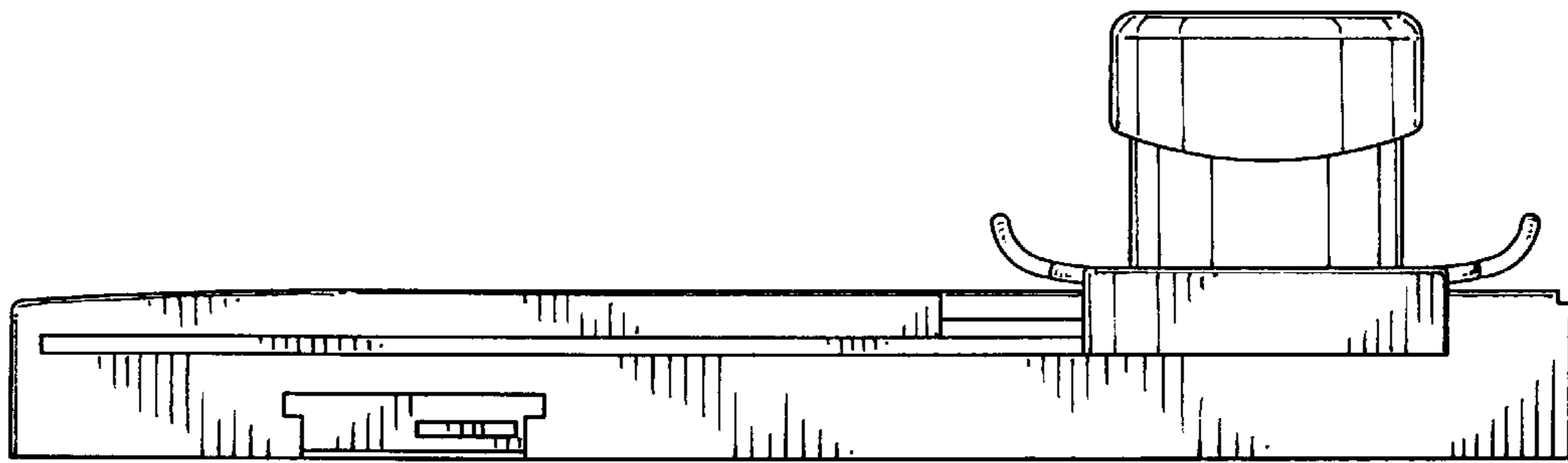


FIG. 4

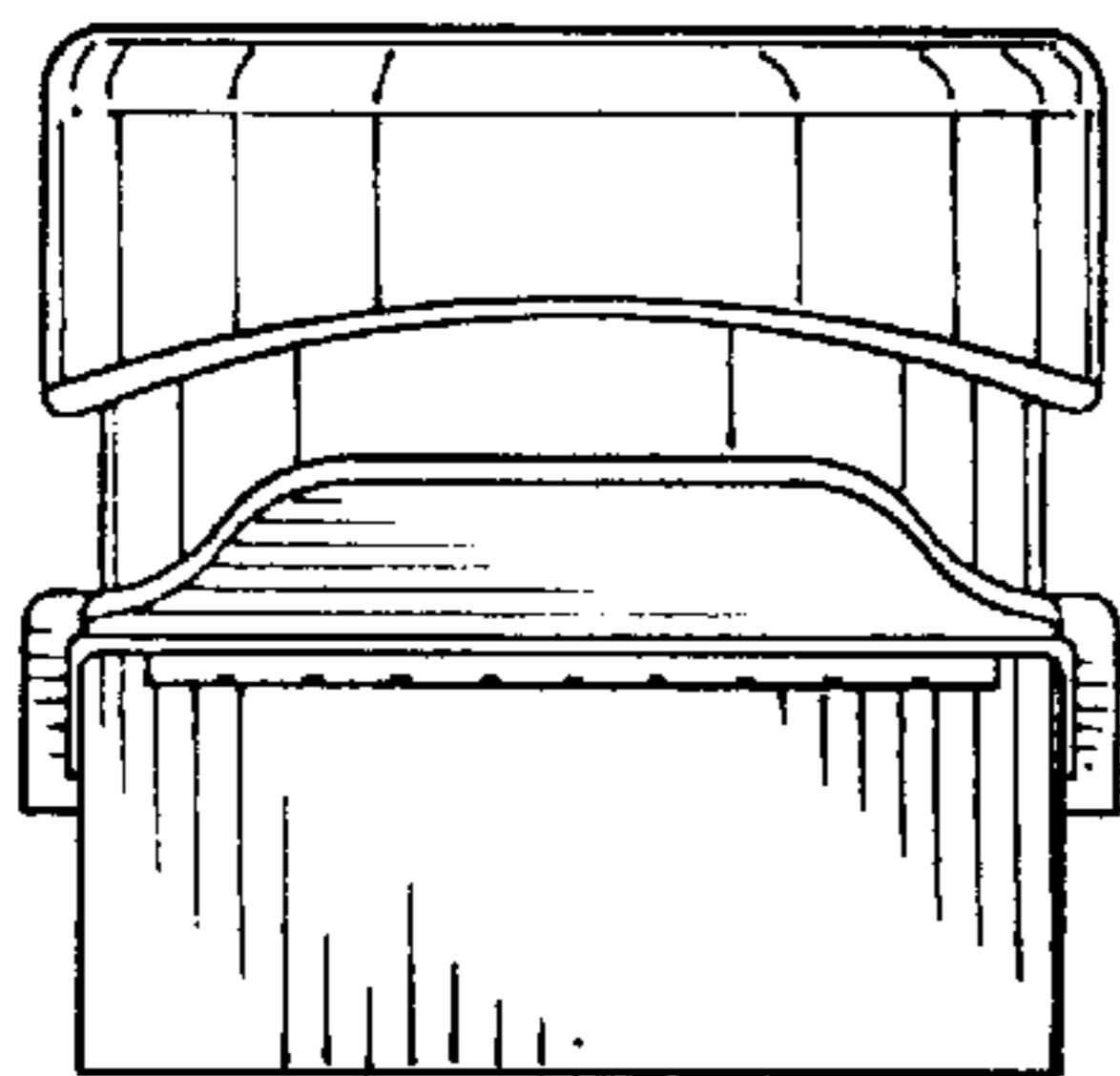


FIG. 5

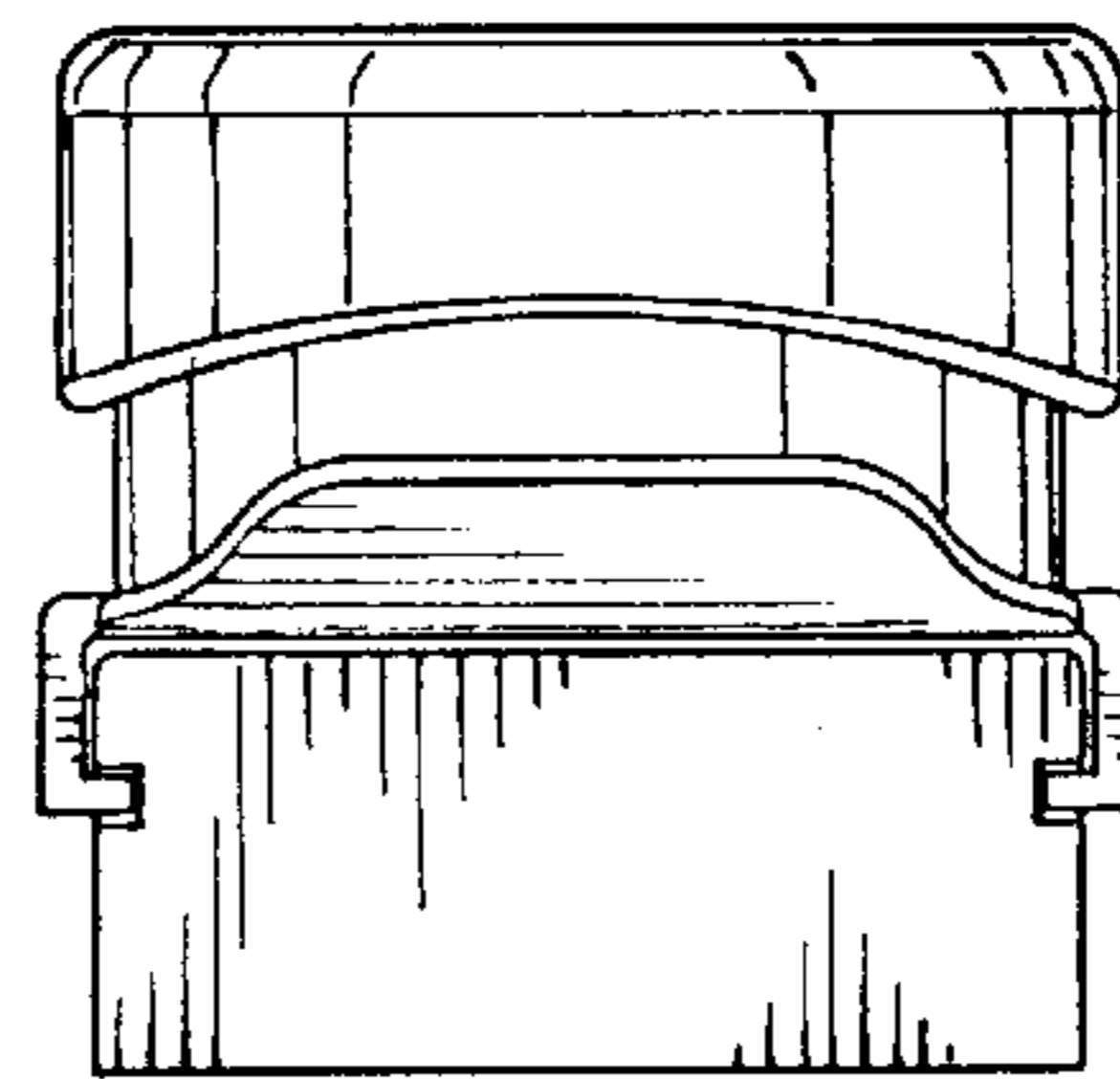


FIG. 6

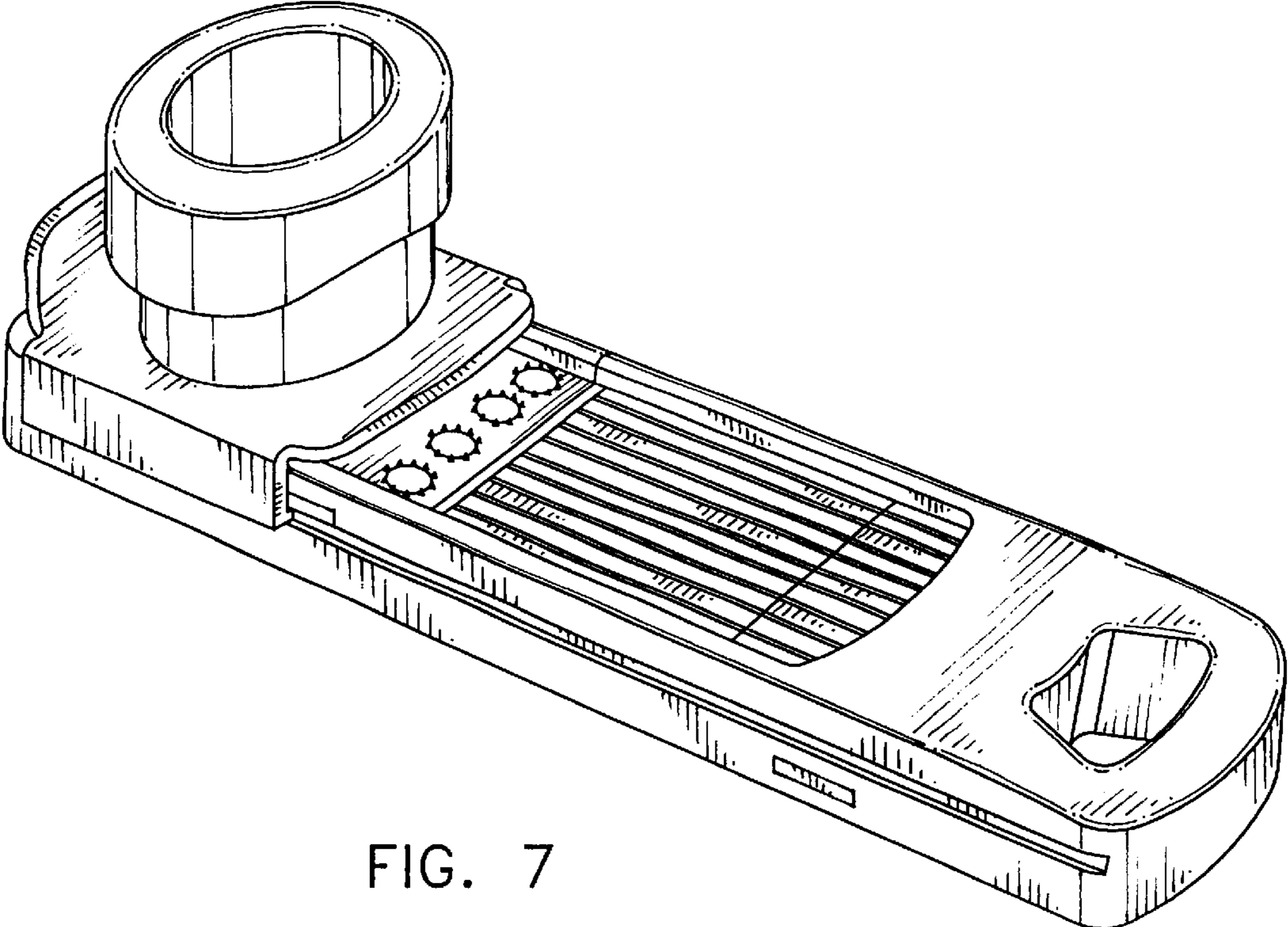


FIG. 7

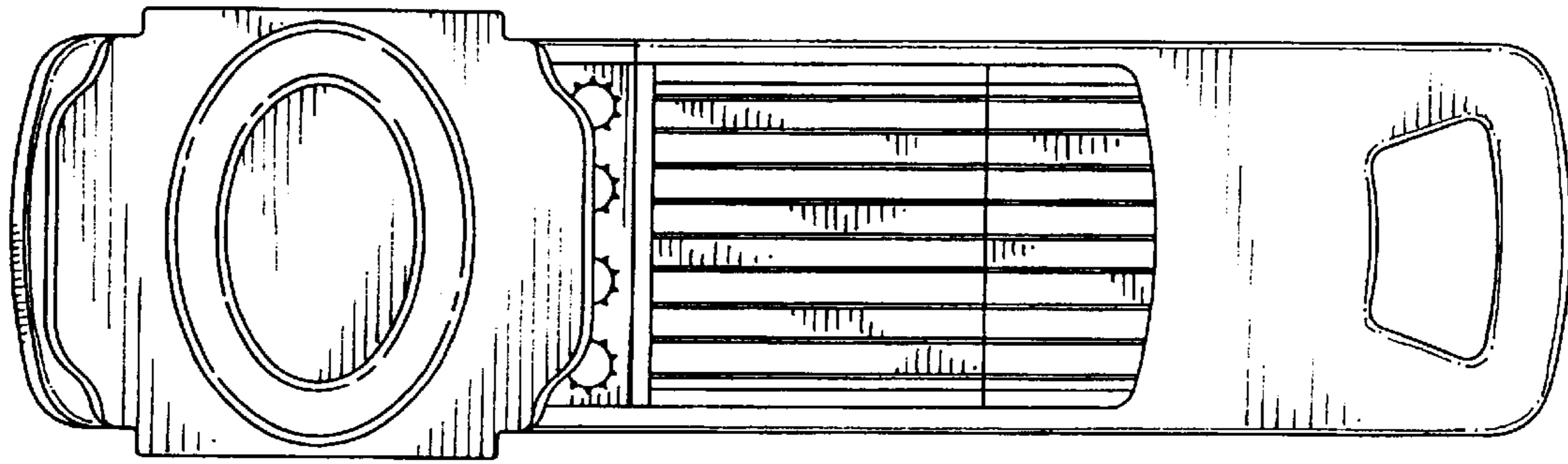


FIG. 8

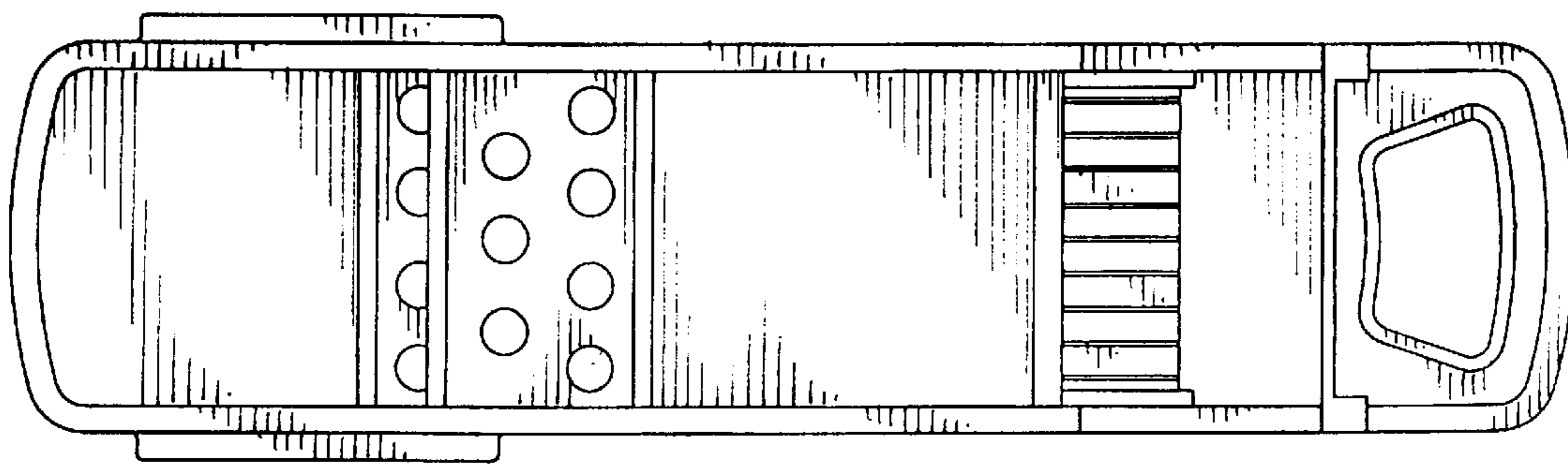


FIG. 9