

US00D494024S1

(12) **United States Design Patent**  
**Welch**

(10) **Patent No.:** **US D494,024 S**

(45) **Date of Patent:** **\*\* Aug. 10, 2004**

(54) **FLATWARE TRAY**

(75) **Inventor:** **William Leonard Welch**, Tredington  
(GB)

(73) **Assignee:** **Robert Welch Designs Limited**,  
Gloucestershire (GB)

(\*\*) **Term:** **14 Years**

(21) **Appl. No.:** **29/178,999**

(22) **Filed:** **Apr. 3, 2003**

(30) **Foreign Application Priority Data**

Oct. 16, 2002 (GB) ..... 3007837

(51) **LOC (7) Cl.** ..... **07-07**

(52) **U.S. Cl.** ..... **D7/637**

(58) **Field of Search** ..... D7/637-641, 550,  
D7/553, 554; D3/304, 313, 314; D19/75,  
77, 81-83, 86, 92; 206/553, 557, 562, 564;  
220/23.83; 211/60.1, 70.1, 70.6, 70.7

(56) **References Cited**

**U.S. PATENT DOCUMENTS**

D332,553 S \* 1/1993 Giugiaro ..... D7/637

D353,078 S \* 12/1994 Davis et al. .... D7/637  
D434,952 S \* 12/2000 Diehl ..... D7/637  
D439,085 S \* 3/2001 Quinn ..... D19/77  
D451,676 S \* 12/2001 Dembicks ..... D3/313

\* cited by examiner

*Primary Examiner*—Terry A. Wallace

(74) *Attorney, Agent, or Firm*—MacMillan, Sobanski &  
Todd, LLC

(57) **CLAIM**

The ornamental design for a flatware tray, as shown and  
described.

**DESCRIPTION**

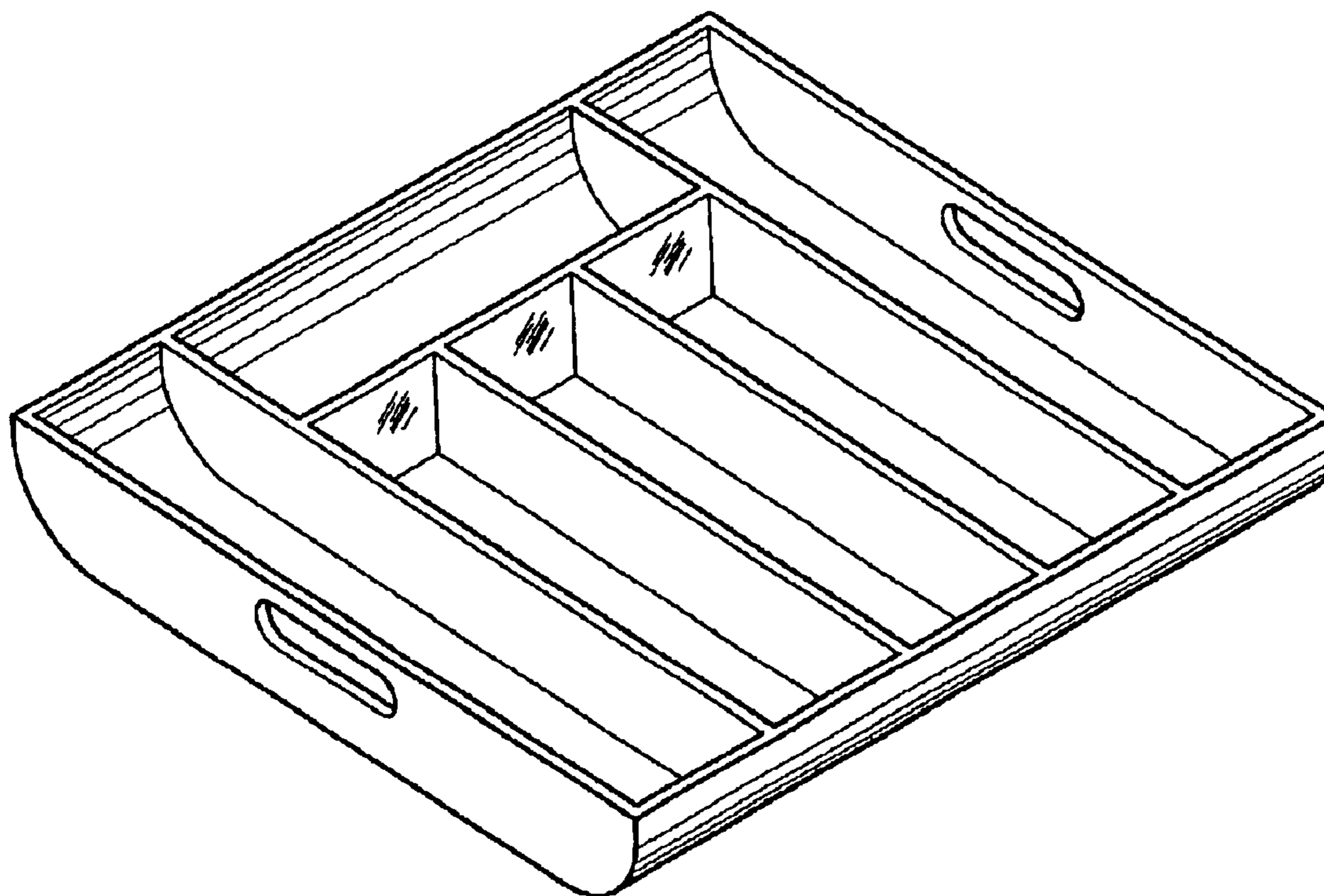
FIG. 1 is a perspective view as seen from an upper corner of  
a flatware tray showing my new design;

FIG. 2 is a front view thereof, the rear view being a mirror  
image thereof;

FIG. 3 is a top plan view thereof; and,

FIG. 4 is a right side view thereof, the left side view being  
a mirror image thereof.

**1 Claim, 2 Drawing Sheets**



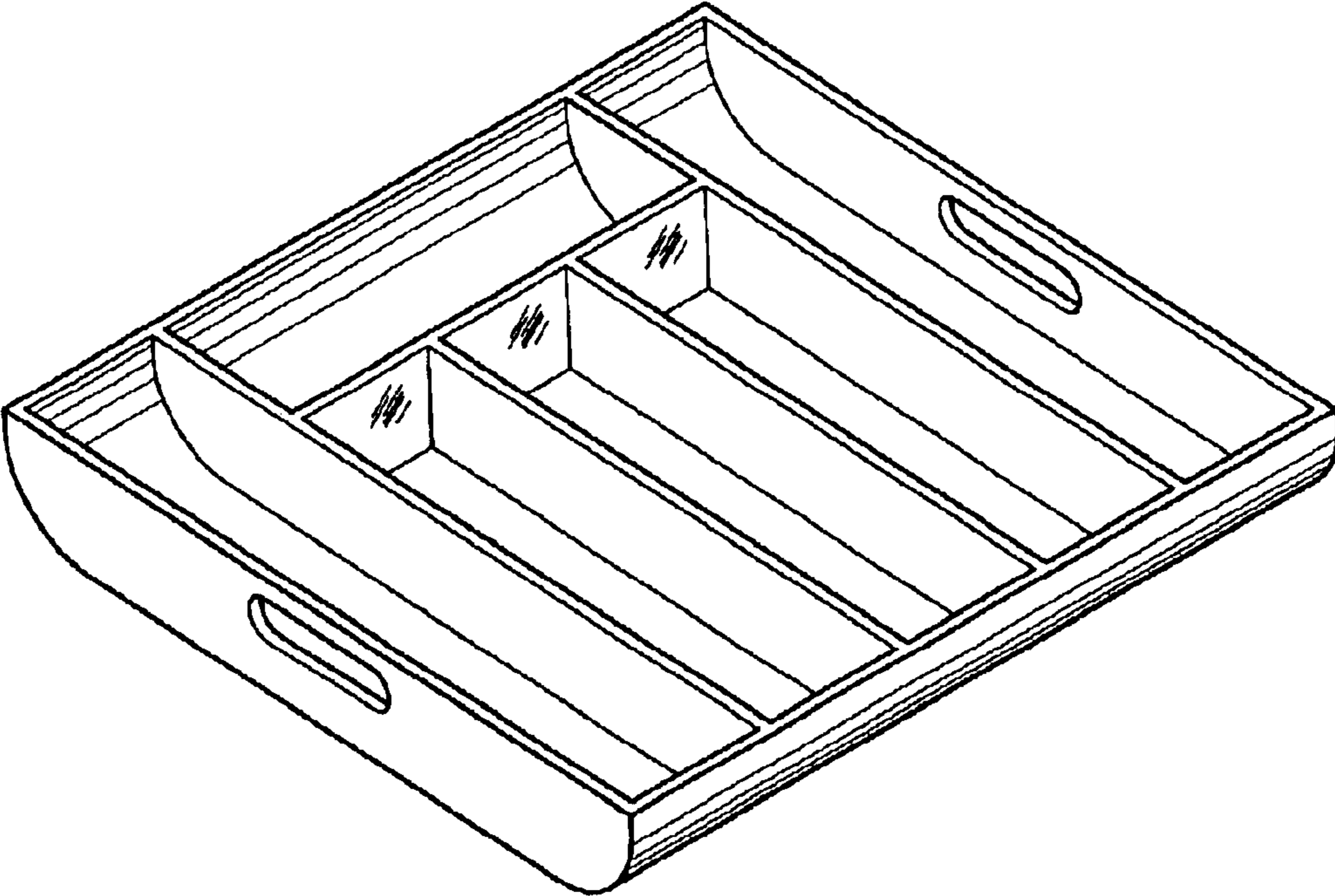


FIG. 1

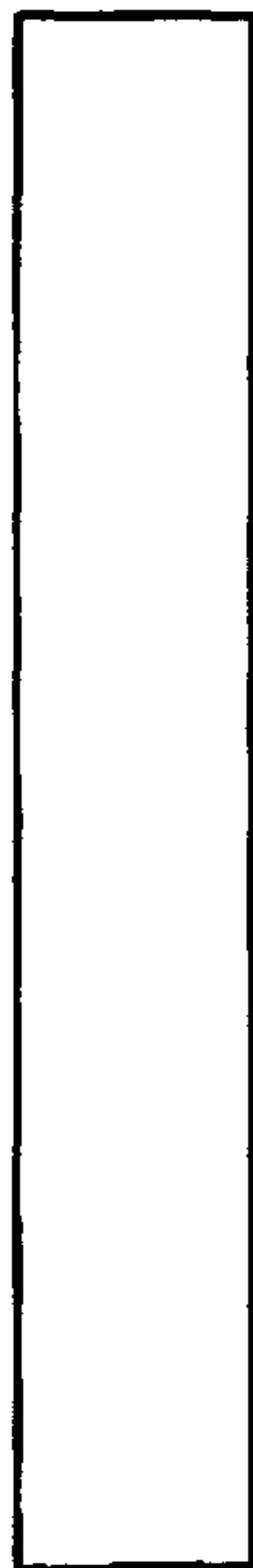


FIG. 2

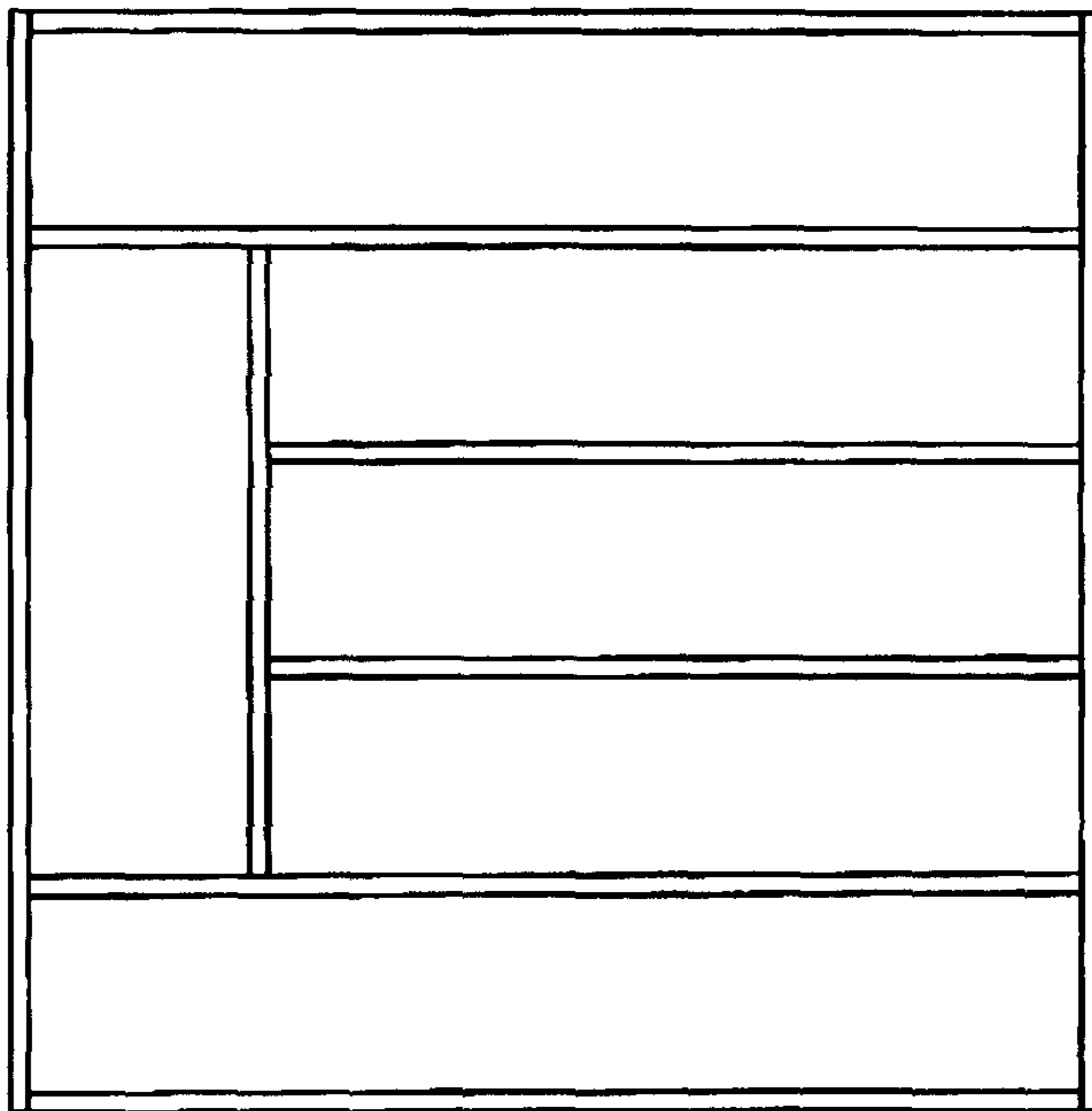


FIG. 3

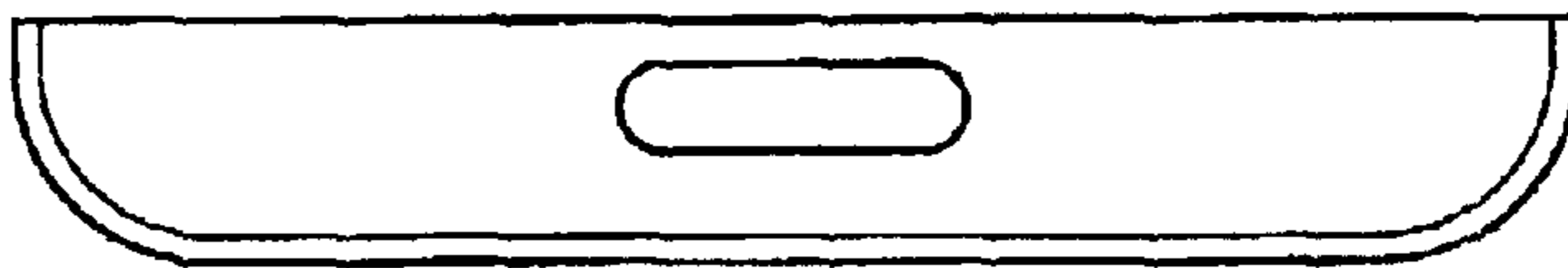


FIG. 4