



US00D494018S1

(12) **United States Design Patent**
Compagnucci

(10) **Patent No.:** **US D494,018 S**

(45) **Date of Patent:** **** Aug. 10, 2004**

(54) **BASKET**

4,300,686 A * 11/1981 Leclerc et al. 206/506
D348,760 S * 7/1994 Linder D3/306

(75) **Inventor:** **Rossano Compagnucci, Osimo (IT)**

* cited by examiner

(73) **Assignee:** **Compagnucci S.p.A., Via Scarpara Alta (IT)**

Primary Examiner—Louis S. Zarfaz

Assistant Examiner—Deanne Levy

(**) **Term:** **14 Years**

(74) *Attorney, Agent, or Firm*—Armstrong, Kratz, Quintos, Hanson & Brooks, LLP

(21) **Appl. No.:** **29/194,415**

(22) **Filed:** **Nov. 24, 2003**

(57) **CLAIM**

The ornamental design for a basket, as shown.

(30) **Foreign Application Priority Data**

May 28, 2003 (EP) 000037304

DESCRIPTION

(51) **LOC (7) Cl.** **07-01**

FIG. 1 is a top plan view of a basket showing my new design
FIG. 2 is a rear elevational view thereof in overturned position.

(52) **U.S. Cl.** **D7/601**

(58) **Field of Search** D3/304–308, 310,
D3/313, 315, 316, 201; D32/55, 58; D7/590,
600, 601, 704–706, 701; D6/566, 567;
211/41.1–41.9, 85.25, 50, 85.31, 40, 41.12,
181.1; 248/37.3, 107, 153, 175, 302

FIG. 3 is a front elevational view thereof.

FIG. 4 is a right side elevational view thereof.

FIG. 5 is a left side elevational view thereof.

FIG. 6 is a bottom plan view thereof; and,

FIG. 7 is a left perspective view thereof.

(56) **References Cited**

U.S. PATENT DOCUMENTS

3,704,791 A * 12/1972 Young, Jr. 211/126.9

1 Claim, 2 Drawing Sheets

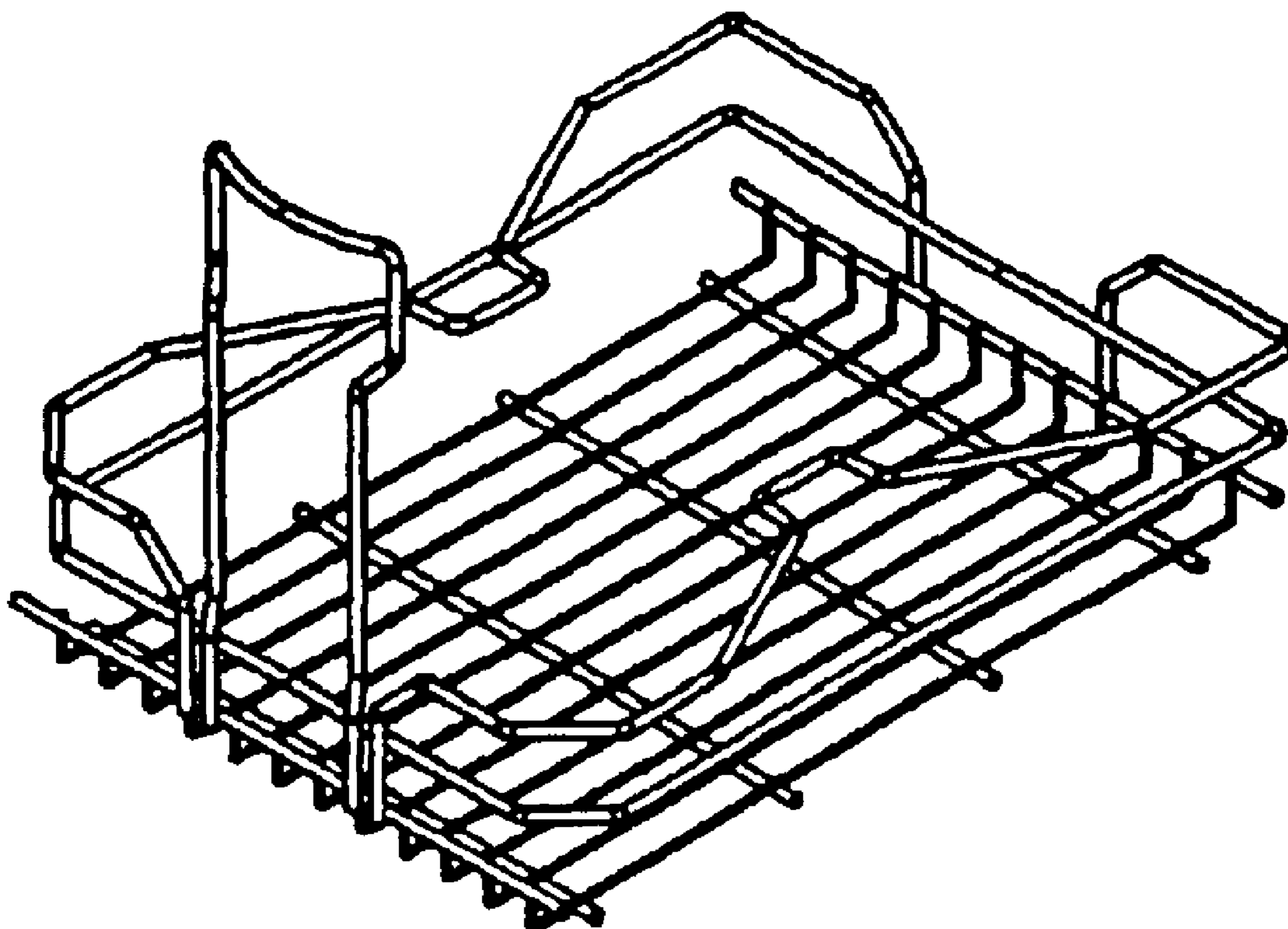


Fig.3

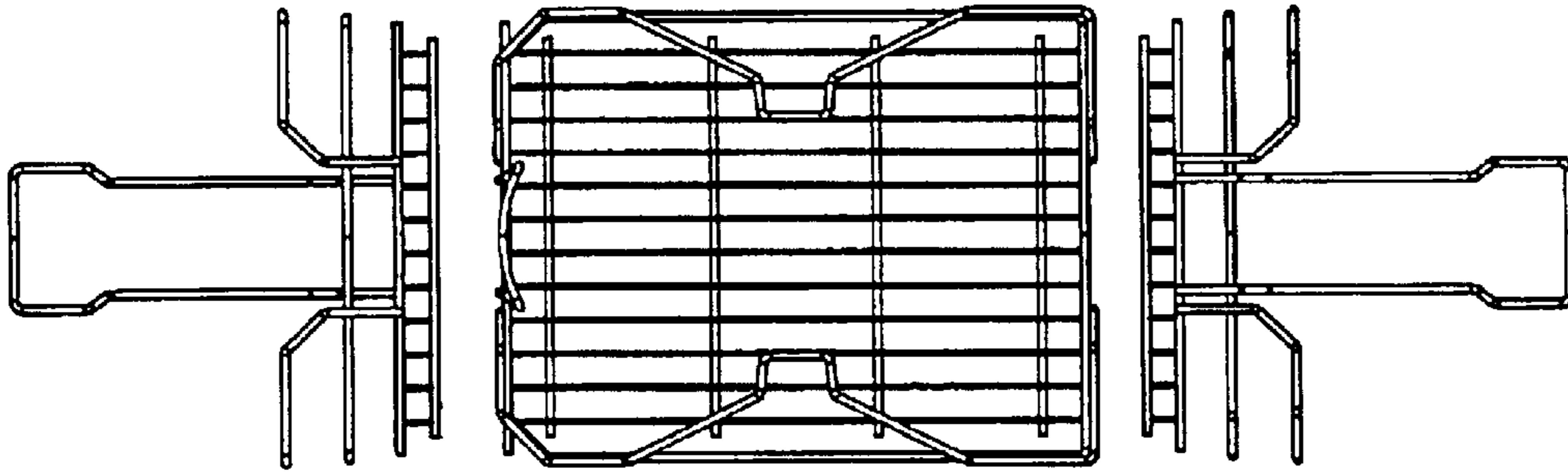
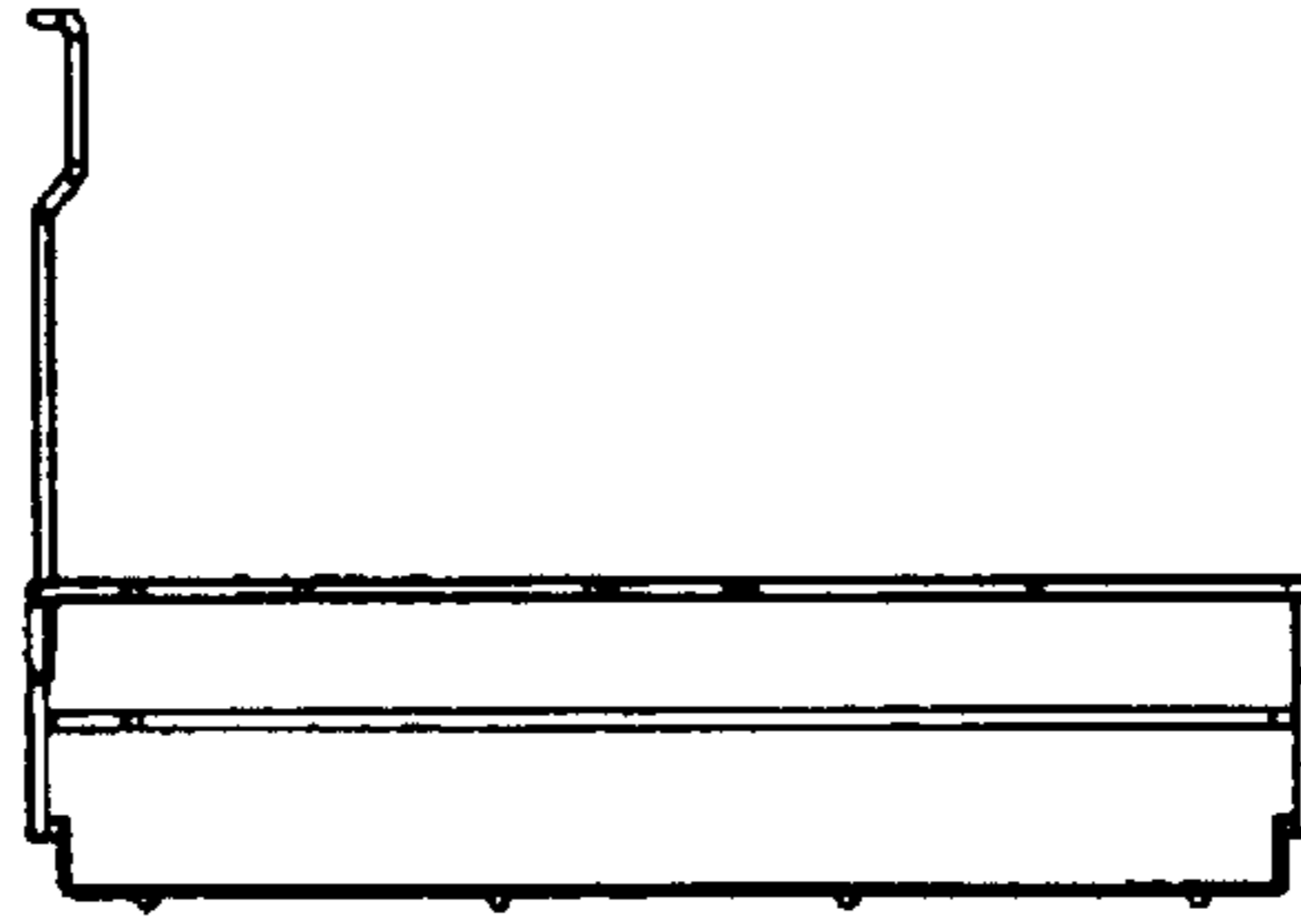


Fig.4

Fig.1

Fig.5

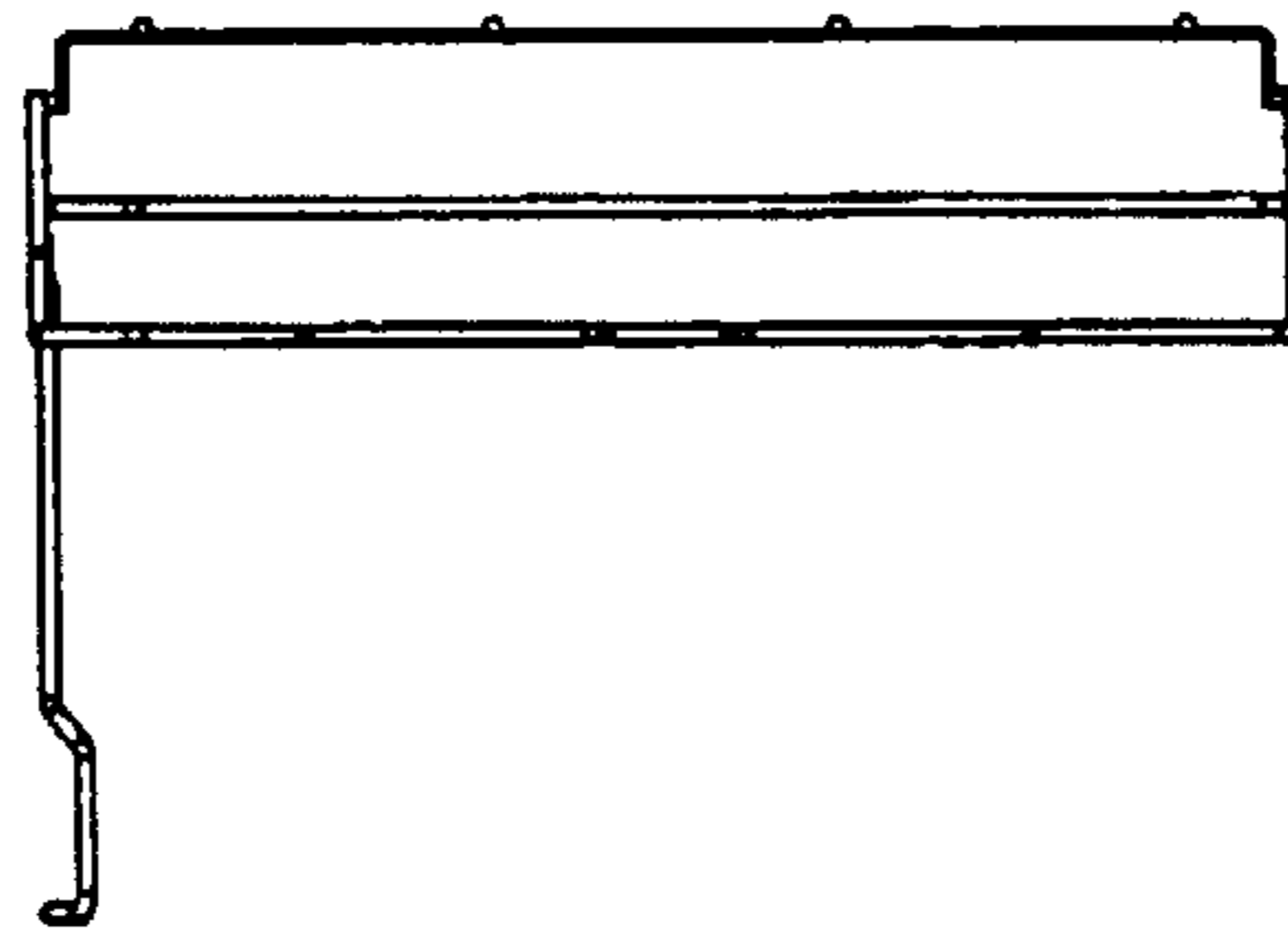


Fig.2

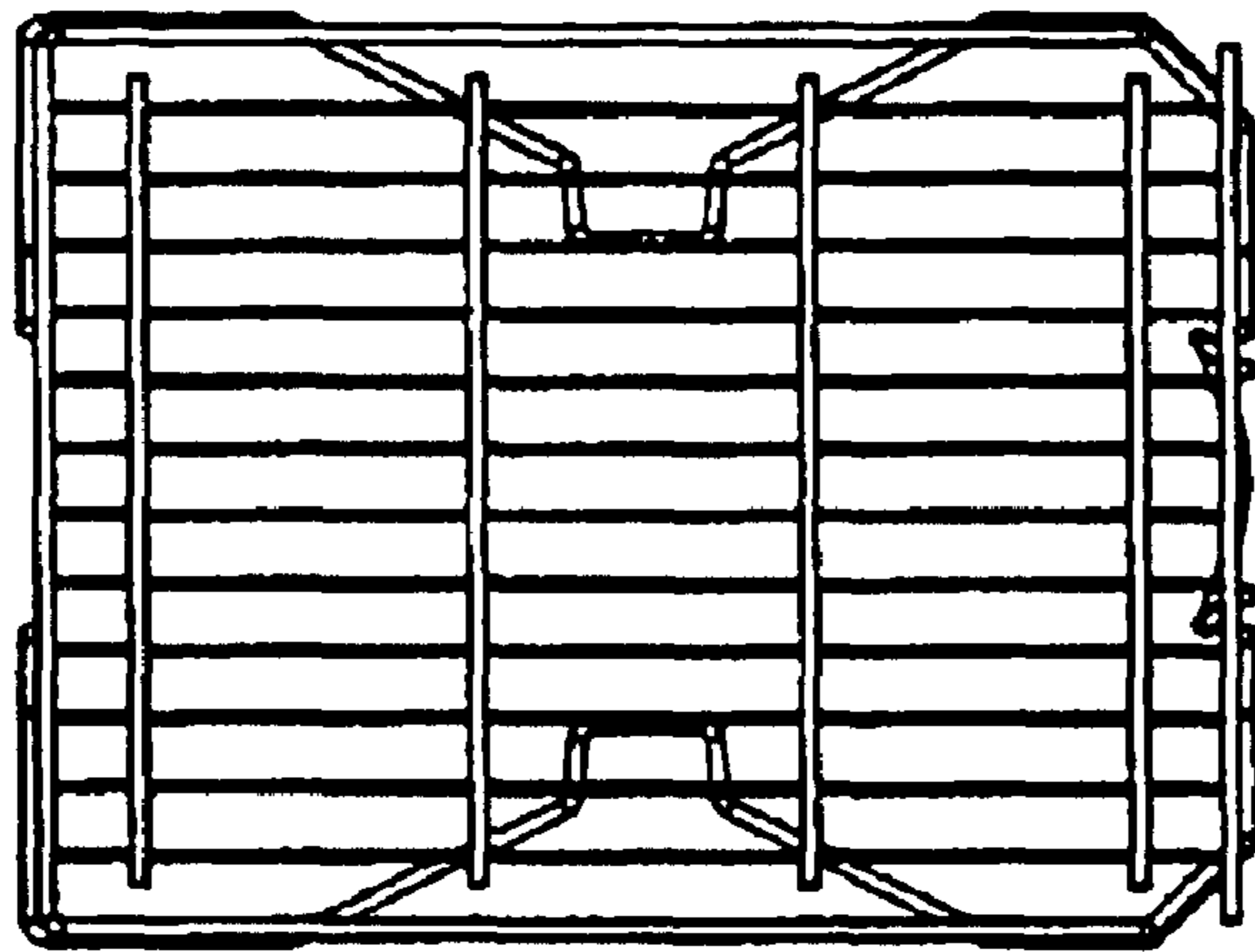


Fig. 6

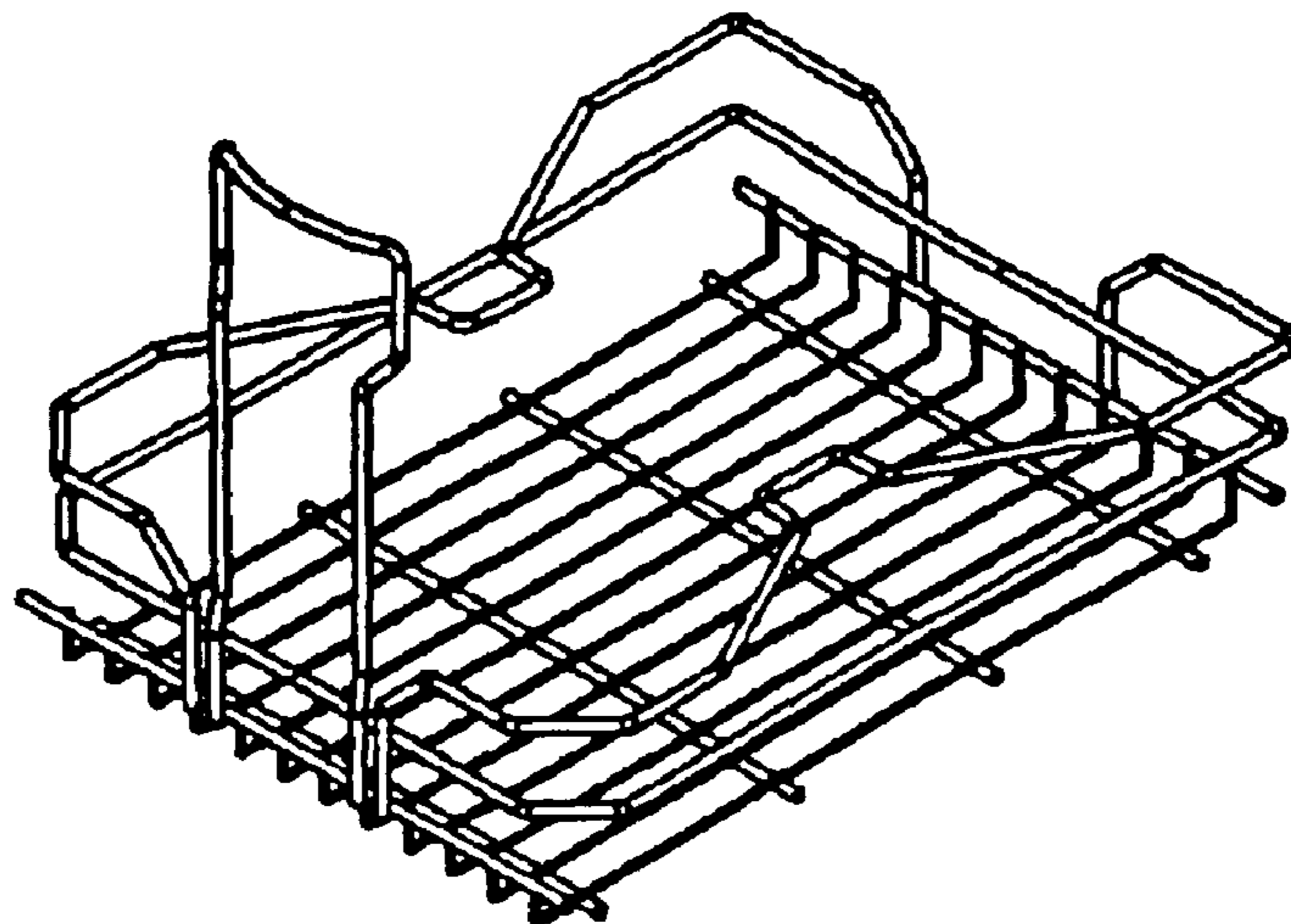


Fig. 7