

US00D494017S1

(12) **United States Design Patent**  
**Compagnucci**

(10) **Patent No.: US D494,017 S**

(45) **Date of Patent: \*\* Aug. 10, 2004**

(54) **BASKET**

(75) **Inventor: Rossano Compagnucci, Osimo (IT)**

(73) **Assignee: Compagnucci S.p.A., Mario Nuova (IT)**

(\*\*) **Term: 14 Years**

(21) **Appl. No.: 29/194,411**

(22) **Filed: Nov. 24, 2003**

(30) **Foreign Application Priority Data**

May 28, 2003 (EP) ..... 000037304

(51) **LOC (7) Cl. .... 07-01**

(52) **U.S. Cl. .... D7/601**

(58) **Field of Search** ..... D3/304-308, 310,  
D3/313, 315, 316, 201; D32/55, 58; D7/590,  
600, 601, 704-706, 701; D6/566, 567;  
211/41.1-41.9, 85.25, 50, 85.31, 40, 41.12,  
181.1; 248/37.3, 107, 153, 175, 302

(56) **References Cited**

**U.S. PATENT DOCUMENTS**

2,191,693 A \* 2/1940 Havlis ..... 211/74

D200,482 S \* 3/1965 Christoffersen ..... D7/600  
D214,219 S \* 5/1969 Schwartz ..... D6/566  
D219,350 S \* 12/1970 Rivenbark ..... D3/306  
D288,053 S \* 2/1987 Maza et al. .... D7/704  
D295,128 S \* 4/1988 Gentile ..... D7/704  
D389,689 S \* 1/1998 Ballack ..... D6/566

\* cited by examiner

*Primary Examiner*—Louis S. Zarfaz

*Assistant Examiner*—Deanne Levy

(74) *Attorney, Agent, or Firm*—Armstrong, Kratz, Quintos,  
Hanson & Brooks, LLP

(57) **CLAIM**

The ornamental design for a basket, as shown.

**DESCRIPTION**

FIG. 1 is a top plan view of a basket showing my new design  
FIG. 2 is a rear elevational view thereof in overturned  
position.

FIG. 3 is a front elevational view thereof.

FIG. 4 is a right side elevational view thereof.

FIG. 5 is a left side elevational view thereof.

FIG. 6 is a bottom plan view thereof; and,

FIG. 7 is a left perspective view thereof.

**1 Claim, 2 Drawing Sheets**

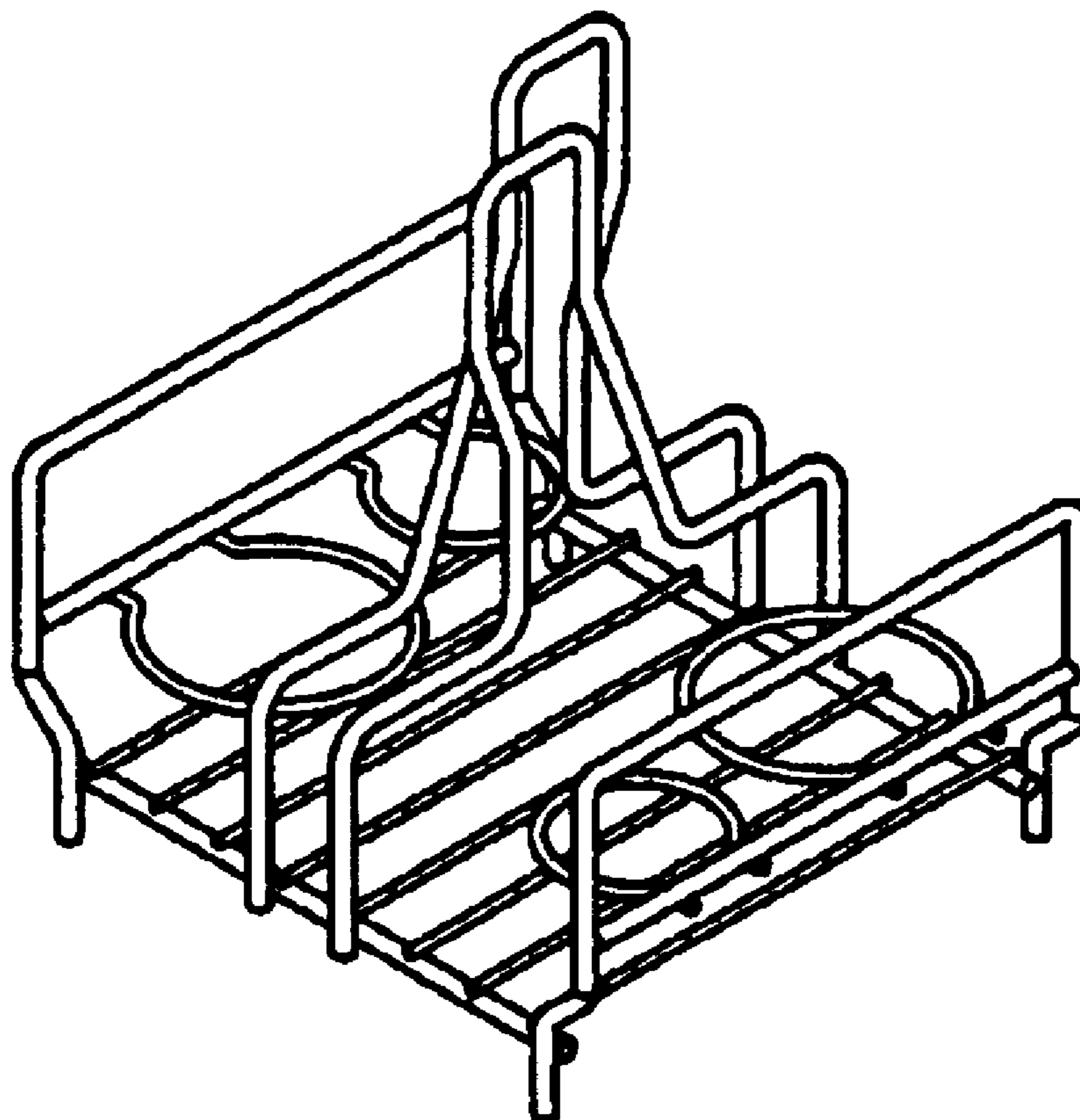


Fig.3

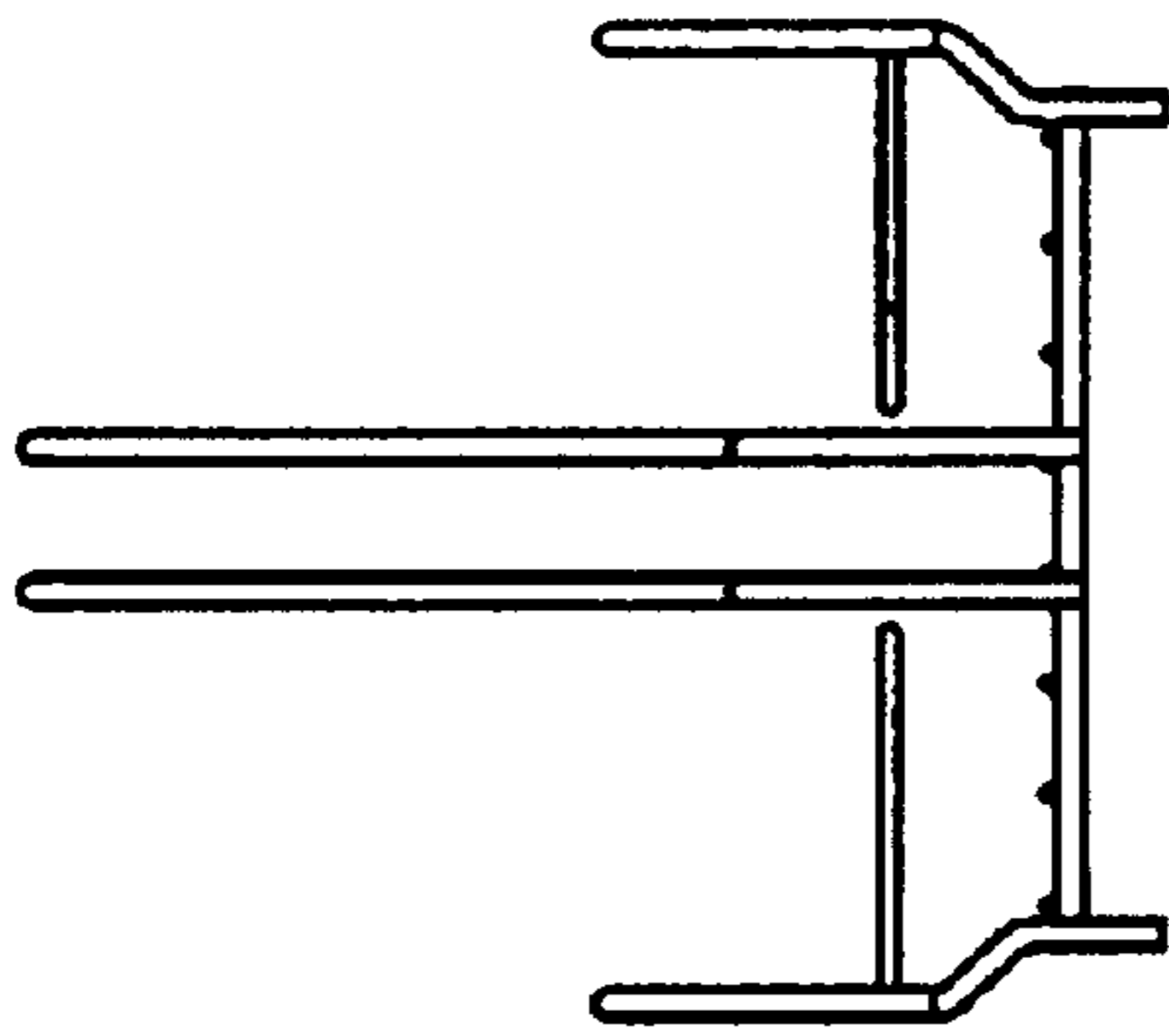
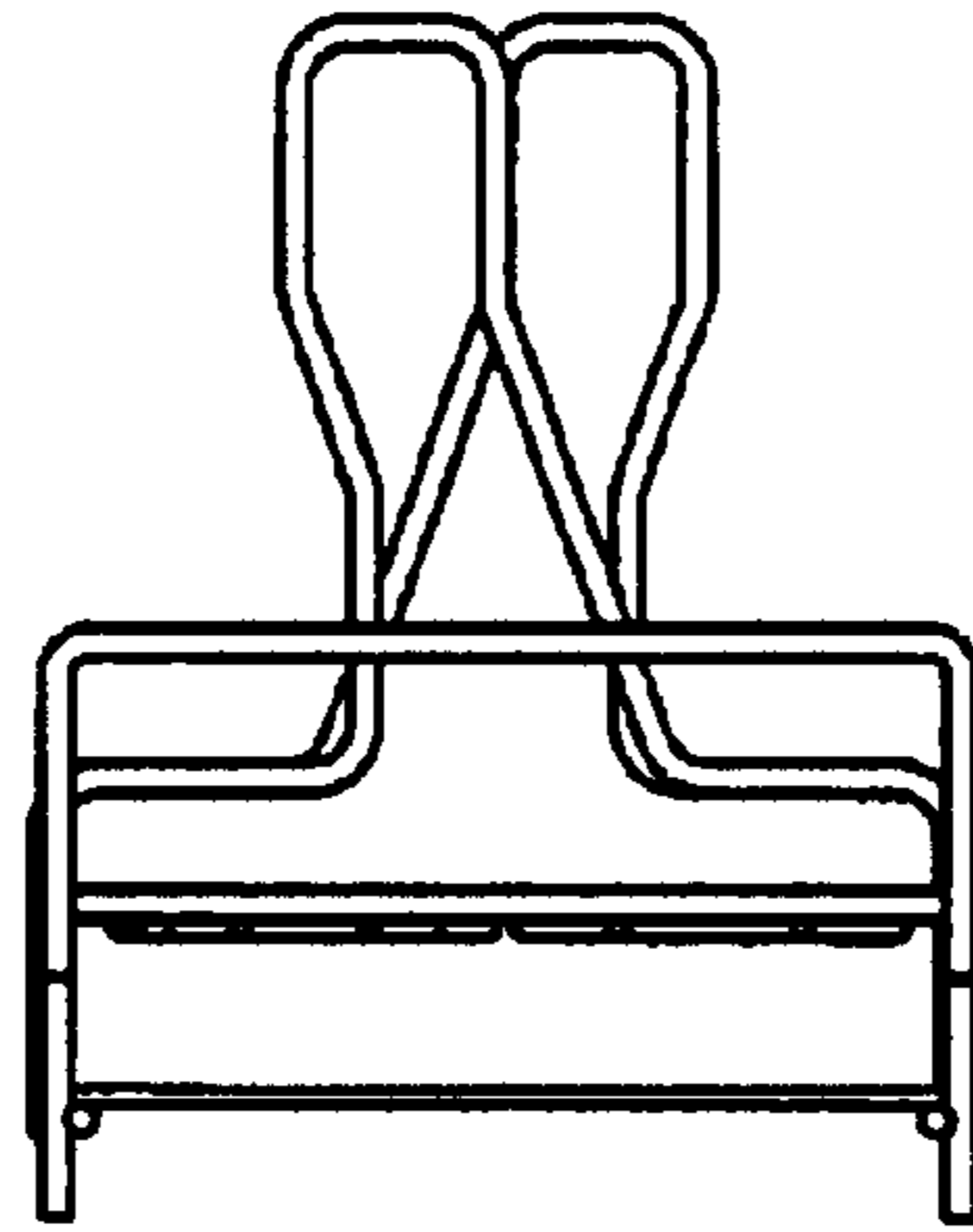


Fig. 4

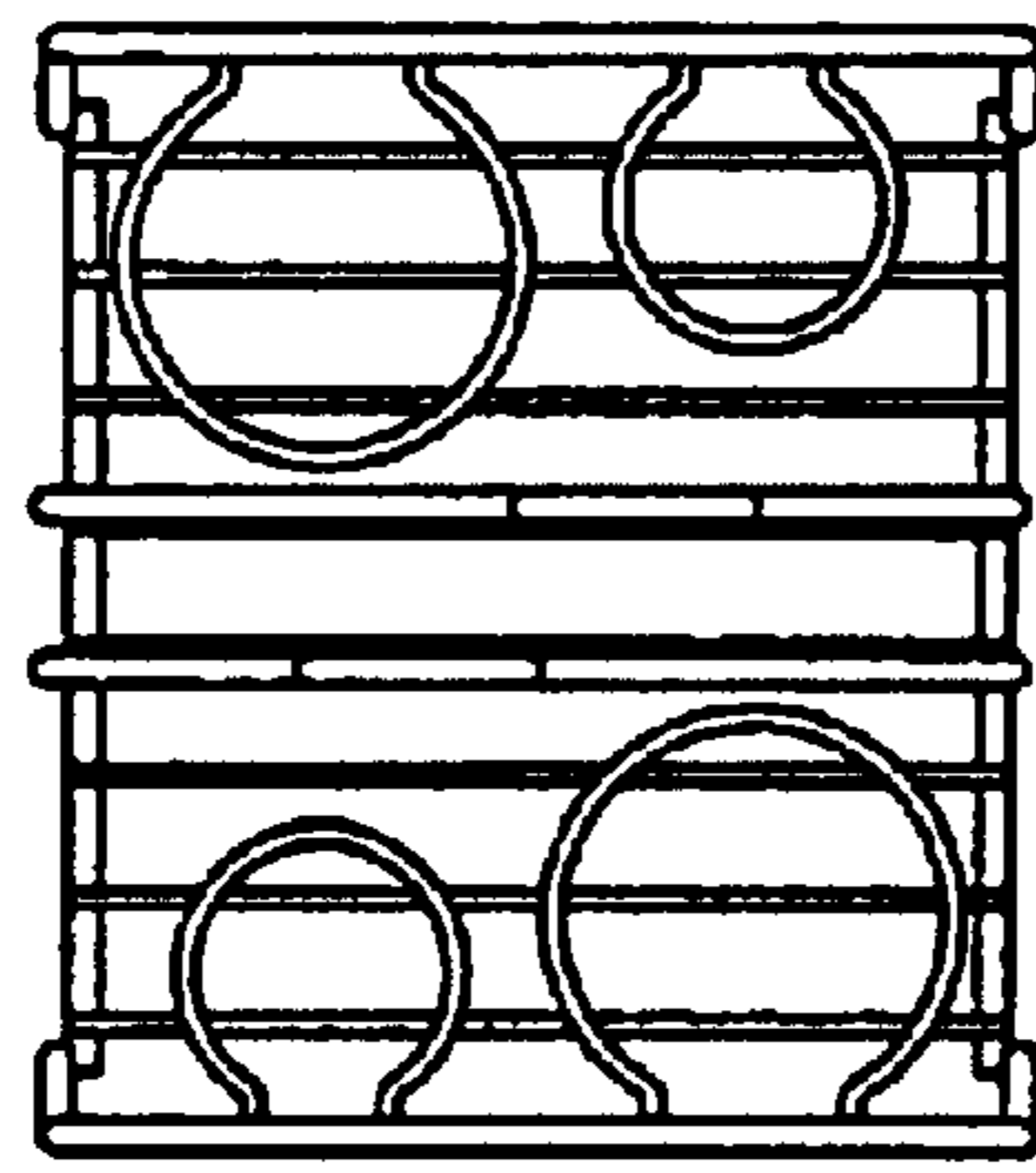


Fig.1

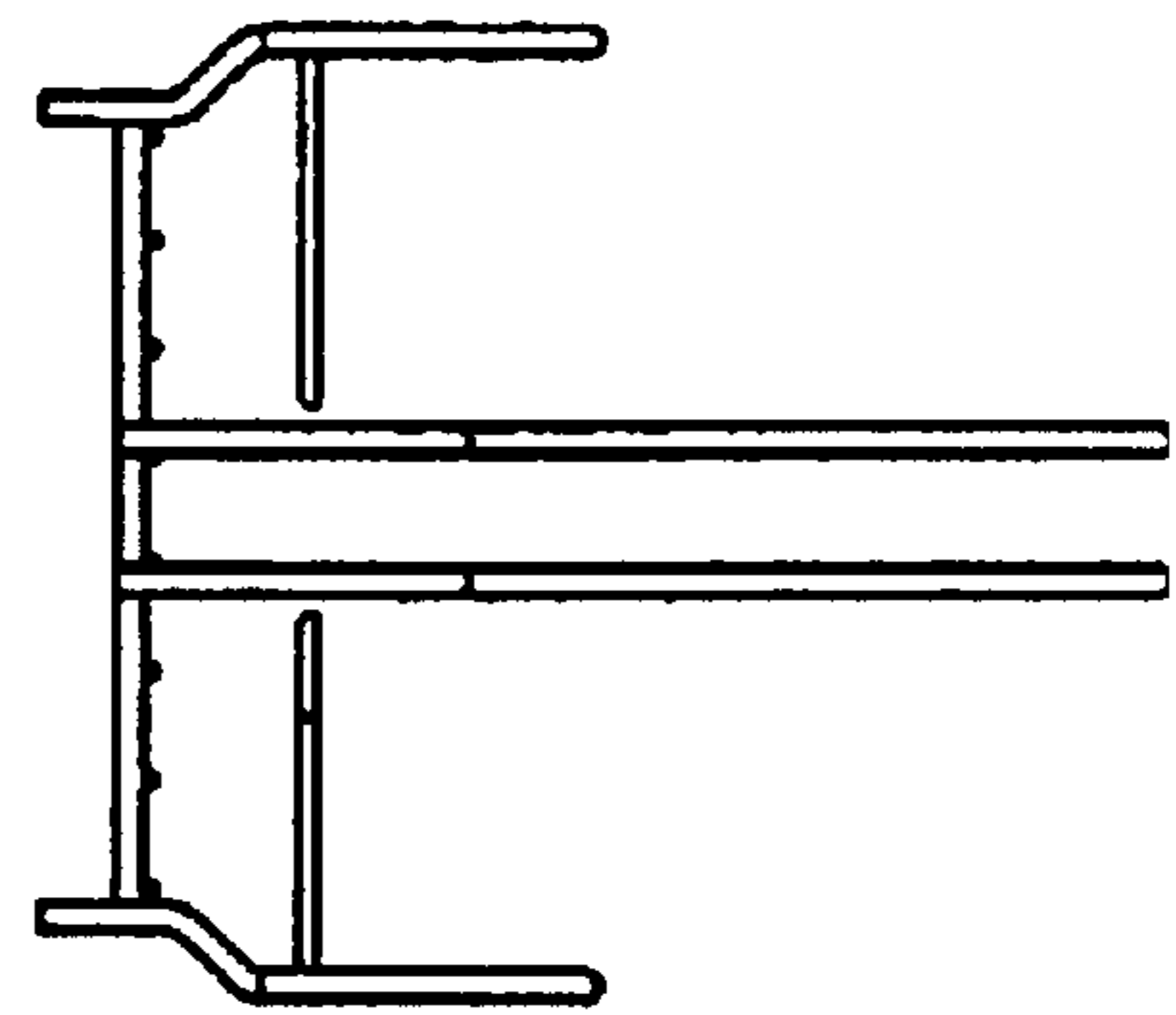


Fig.5

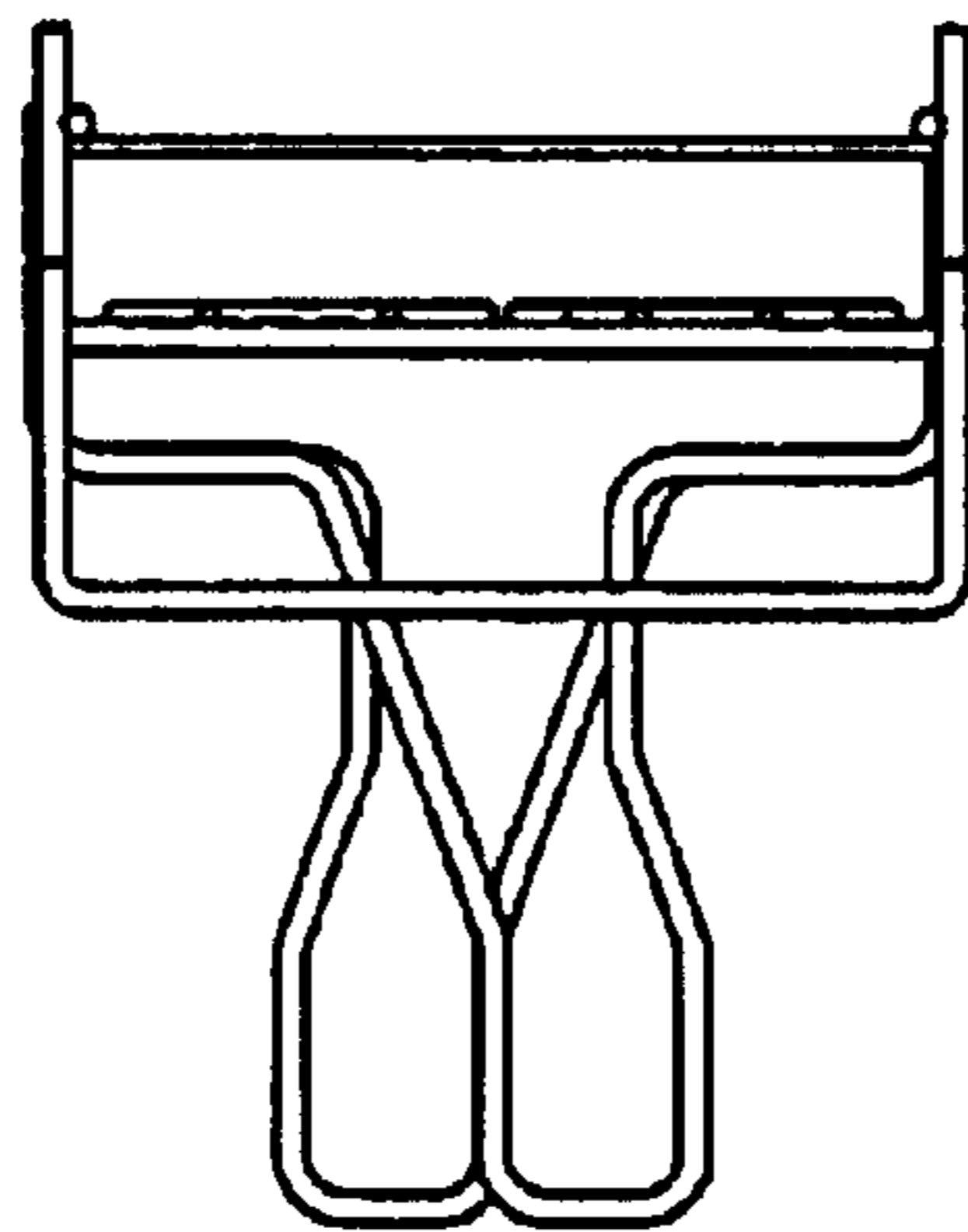


Fig.2

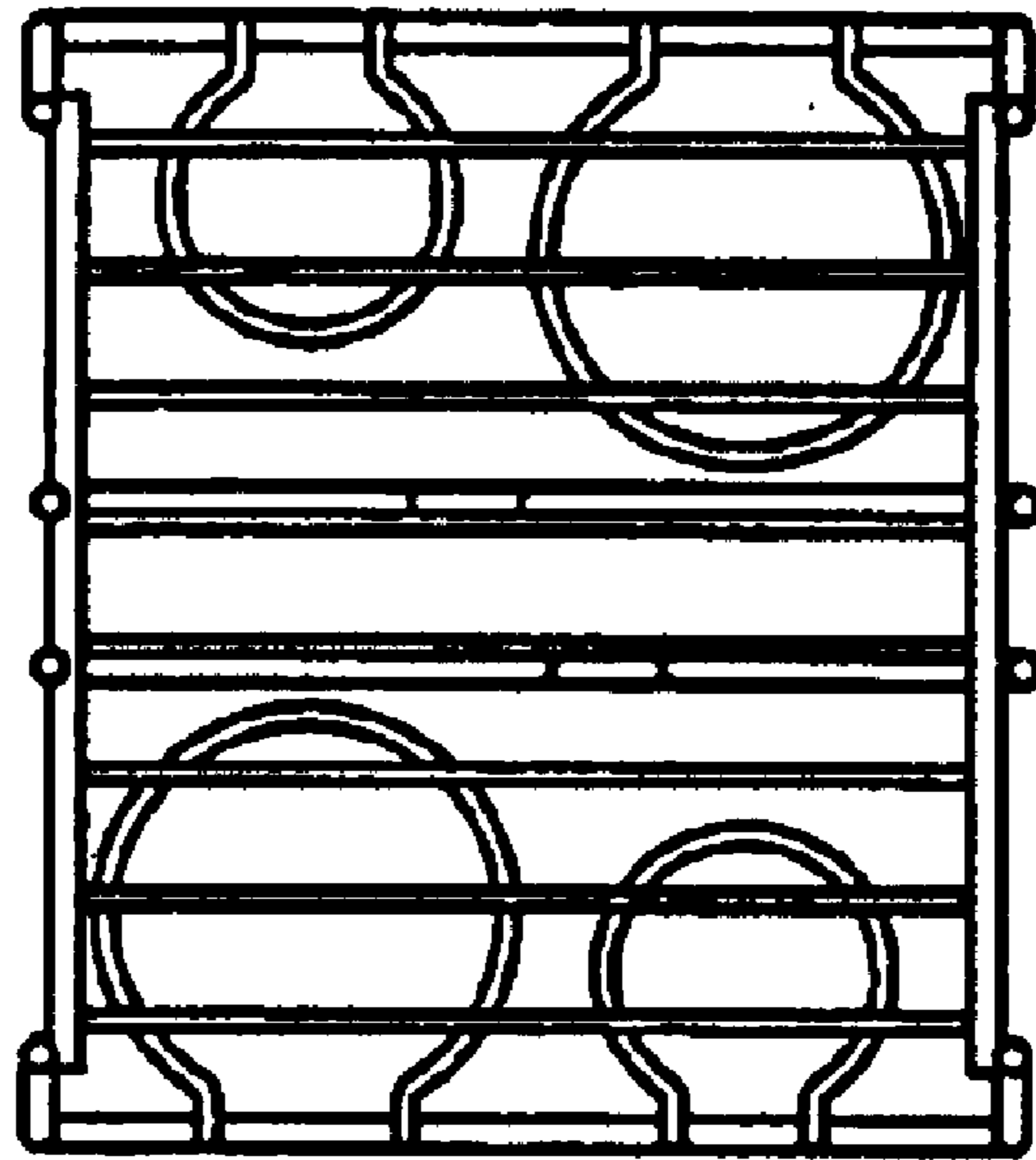


Fig. 6

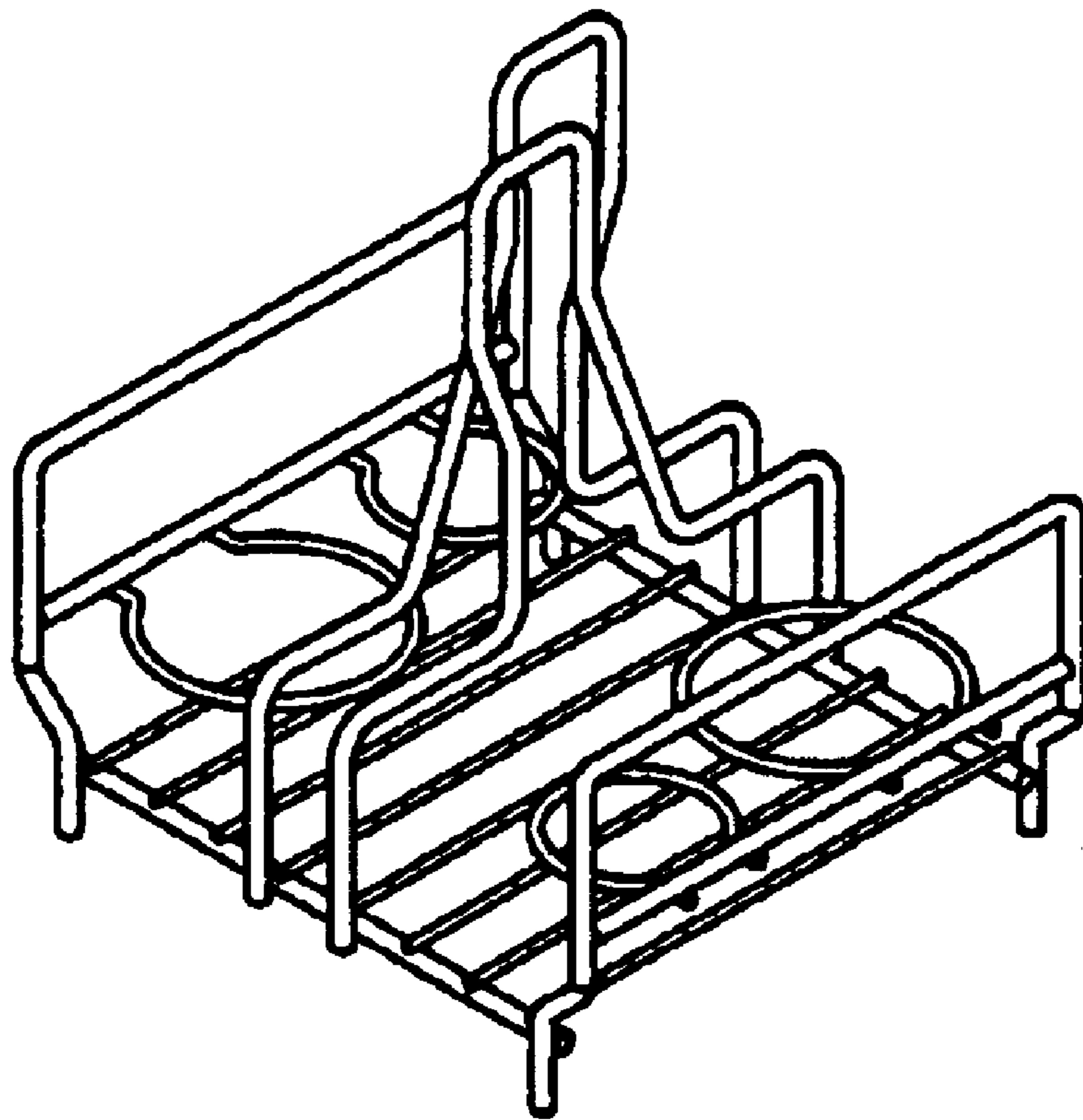


Fig.7