

US00D494010S1

(12) **United States Design Patent**
Yuen

(10) **Patent No.: US D494,010 S**

(45) **Date of Patent: ** Aug. 10, 2004**

(54) **MICRO COMPUTER THERMAL MUG**

(76) **Inventor: Se Kiy Yuen**, 6/F., 45 Hoi Yuen Road,
Yau Lee Centre, 45 Hoi Yuen Road.,
Kwun Tong, Kowloon, Hong Kong
(CN)

(**) **Term: 14 Years**

(21) **Appl. No.: 29/195,111**

(22) **Filed: Dec. 5, 2003**

(51) **LOC (7) Cl. 07-01**

(52) **U.S. Cl. D7/511; D7/514; D7/515;
D7/533**

(58) **Field of Search D7/509, 514, 515,
D7/533, 536, 510, 511, 598; 220/603, 717,
710.5, 705, 719; 248/346.11; 215/396, 398**

(56) **References Cited**

U.S. PATENT DOCUMENTS

| | | | | | |
|------------|---|--------|----------------|-------|--------|
| D207,408 S | * | 4/1967 | Levin | | D7/515 |
| D235,182 S | * | 5/1975 | Capron | | D7/598 |
| D372,838 S | * | 8/1996 | Feltman et al. | | D7/536 |
| D419,032 S | * | 1/2000 | Stern et al. | | D7/515 |
| D428,769 S | * | 8/2000 | Mensch et al. | | D7/533 |
| D436,294 S | * | 1/2001 | Marck | | D7/511 |
| D439,473 S | * | 3/2001 | Lin | | D7/510 |
| D443,796 S | * | 6/2001 | Lin | | D7/510 |
| D444,032 S | * | 6/2001 | Isaacs | | D7/510 |
| D454,756 S | * | 3/2002 | Janky et al. | | D7/510 |
| D460,895 S | * | 7/2002 | Lin | | D7/533 |

| | | | | | |
|--------------|---|---------|-------------------|-------|------------|
| D462,575 S | * | 9/2002 | Gluck | | D7/510 |
| D462,578 S | * | 9/2002 | Janky | | D7/533 |
| D467,124 S | * | 12/2002 | Janky | | D7/533 |
| D469,309 S | * | 1/2003 | Janky | | D7/510 |
| 6,511,031 B2 | * | 1/2003 | Lin | | 248/346.11 |
| D471,764 S | * | 3/2003 | Janky | | D7/510 |
| D472,100 S | * | 3/2003 | Gullickson et al. | | D7/510 |
| D472,425 S | * | 4/2003 | Hurlbut et al. | | D7/510 |
| D479,671 S | * | 9/2003 | Gluck | | D7/533 |
| D480,918 S | * | 10/2003 | Belton et al. | | D7/533 |
| D481,591 S | * | 11/2003 | Lin | | D7/533 |

* cited by examiner

Primary Examiner—M. N. Pandozzi

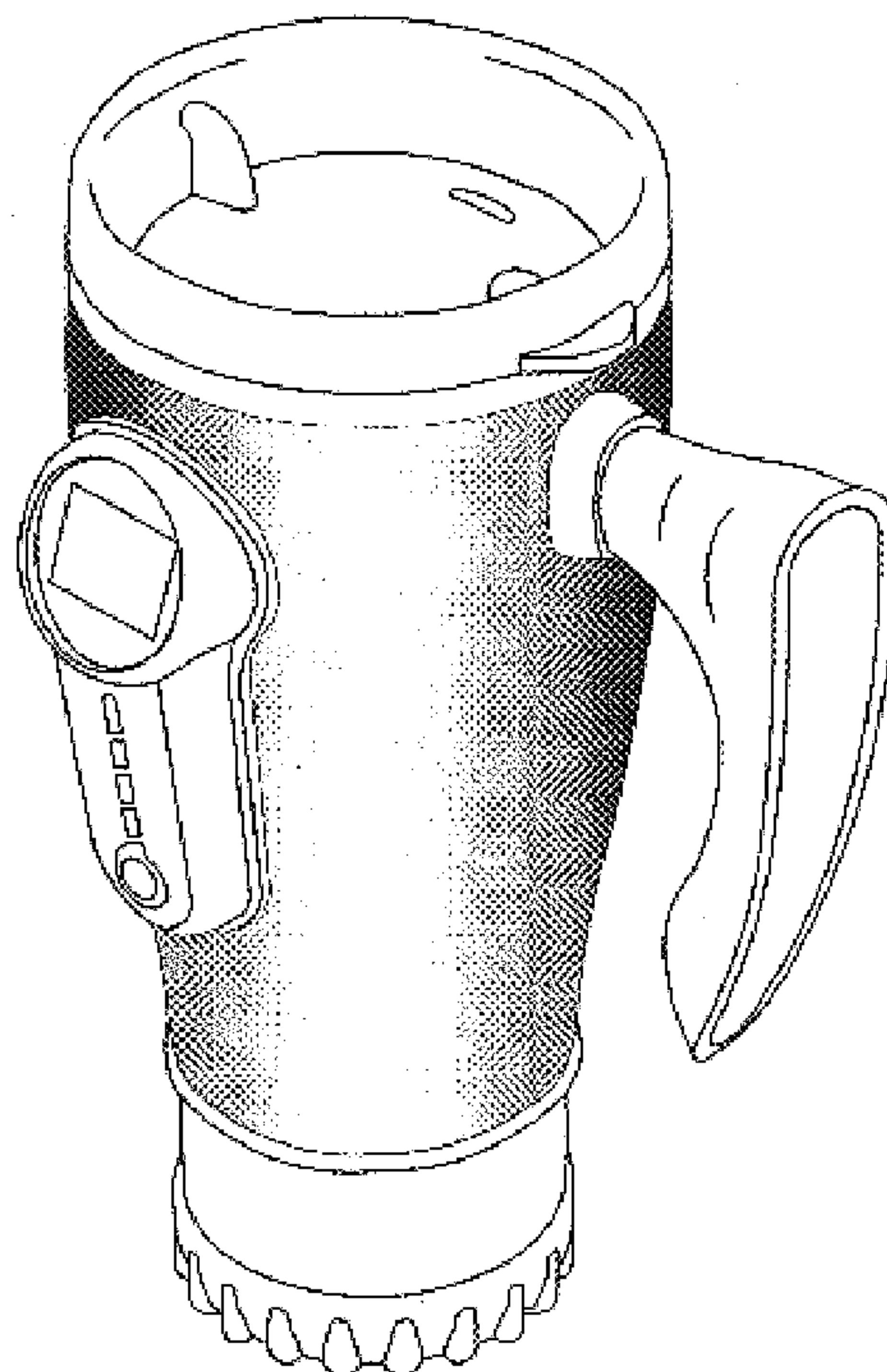
(57) **CLAIM**

The ornamental design for a micro computer thermal mug, as shown and described.

DESCRIPTION

FIG. 1 is a front view showing my new design.
FIG. 2 is a rear view thereof.
FIG. 3 is a left end view thereof.
FIG. 4 is a right end view thereof.
FIG. 5 is a top view thereof.
FIG. 6 is a bottom view thereof.
FIG. 7 is a perspective view thereof; and,
FIG. 8 is another prespective view thereof.
The surface(s) or portion(s) of the article not shown in the drawing or described in the specification form(s) no part of the claimed design.

1 Claim, 8 Drawing Sheets



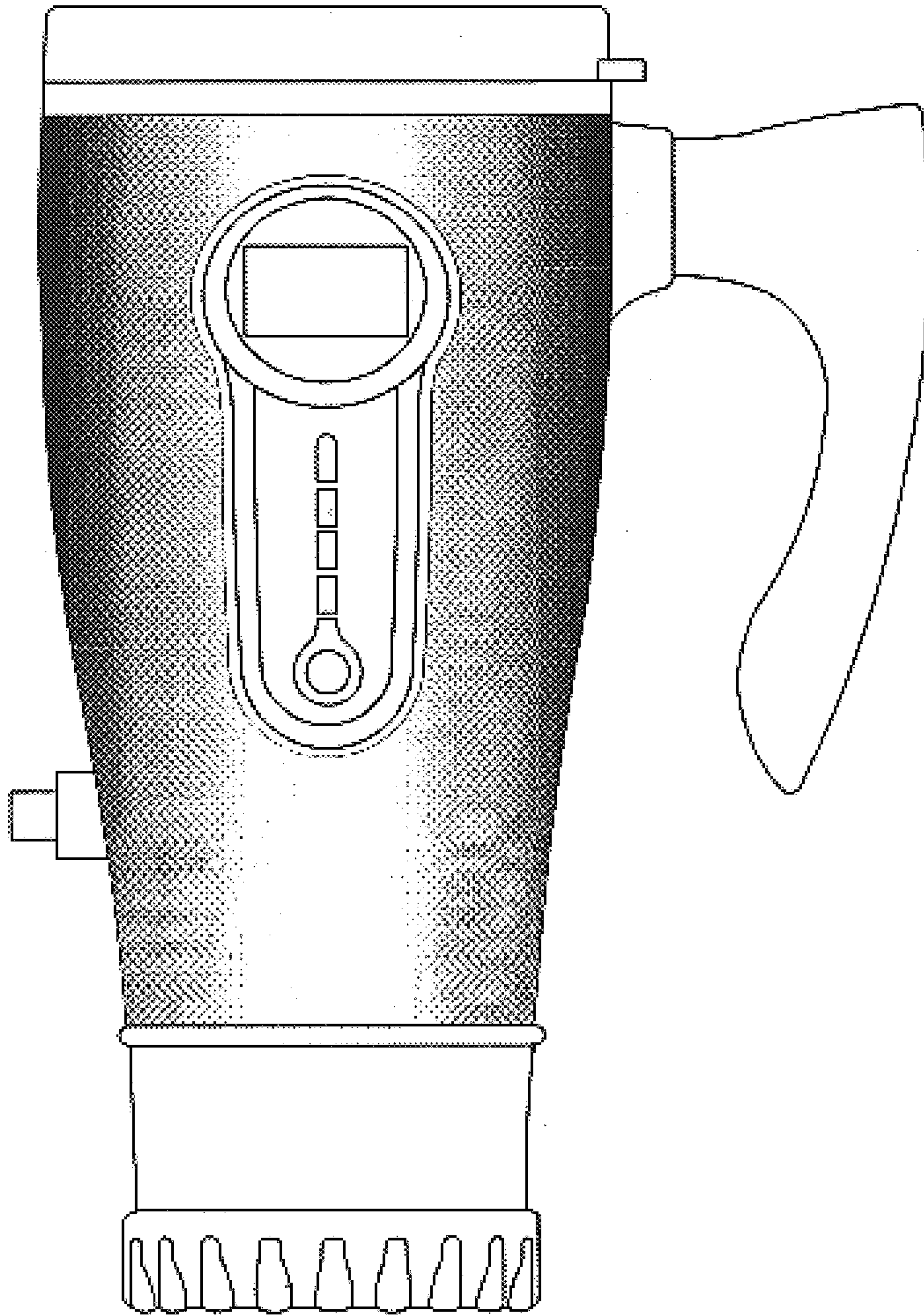


Fig. 1

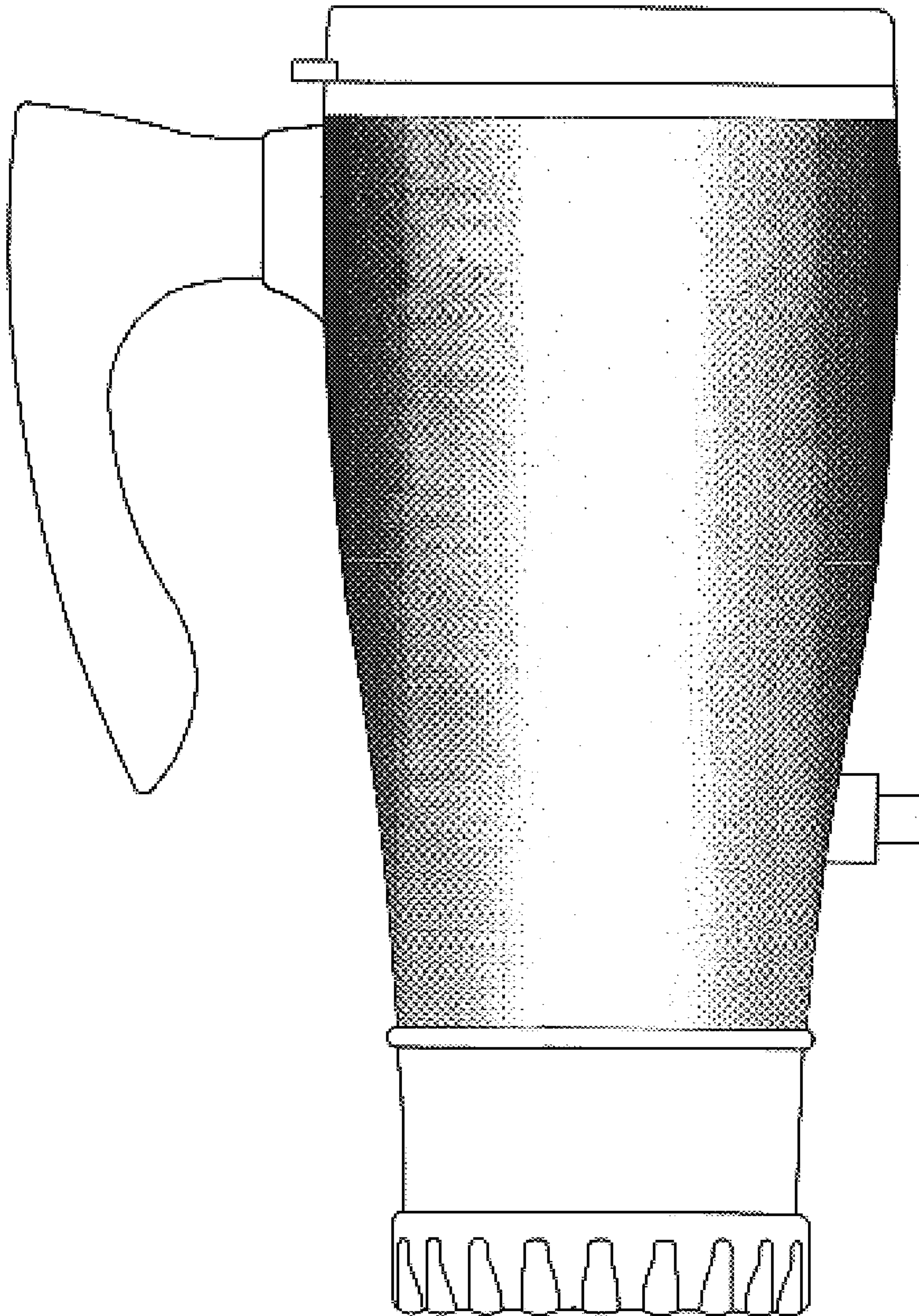


Fig. 2

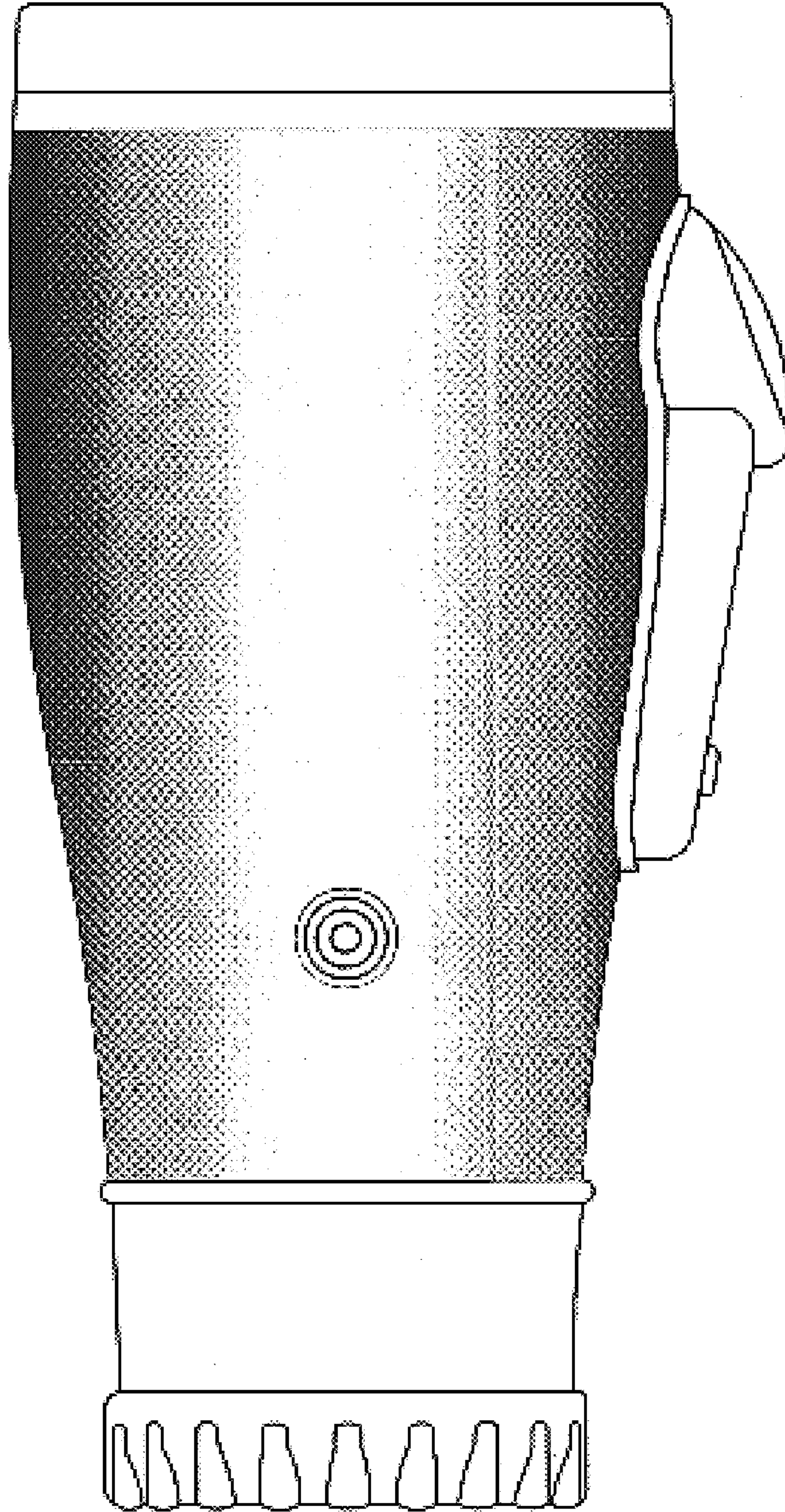


Fig. 3

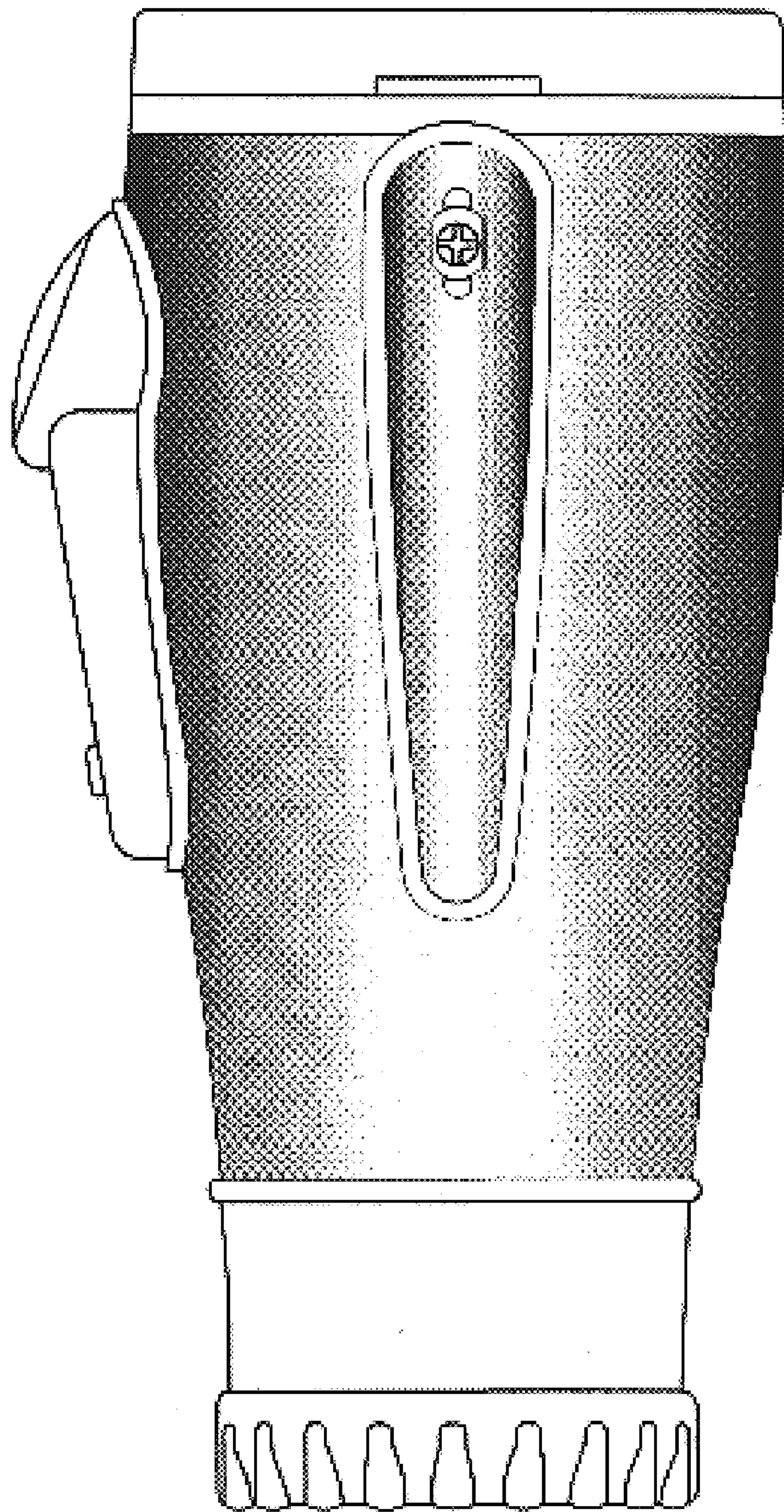


Fig. 4

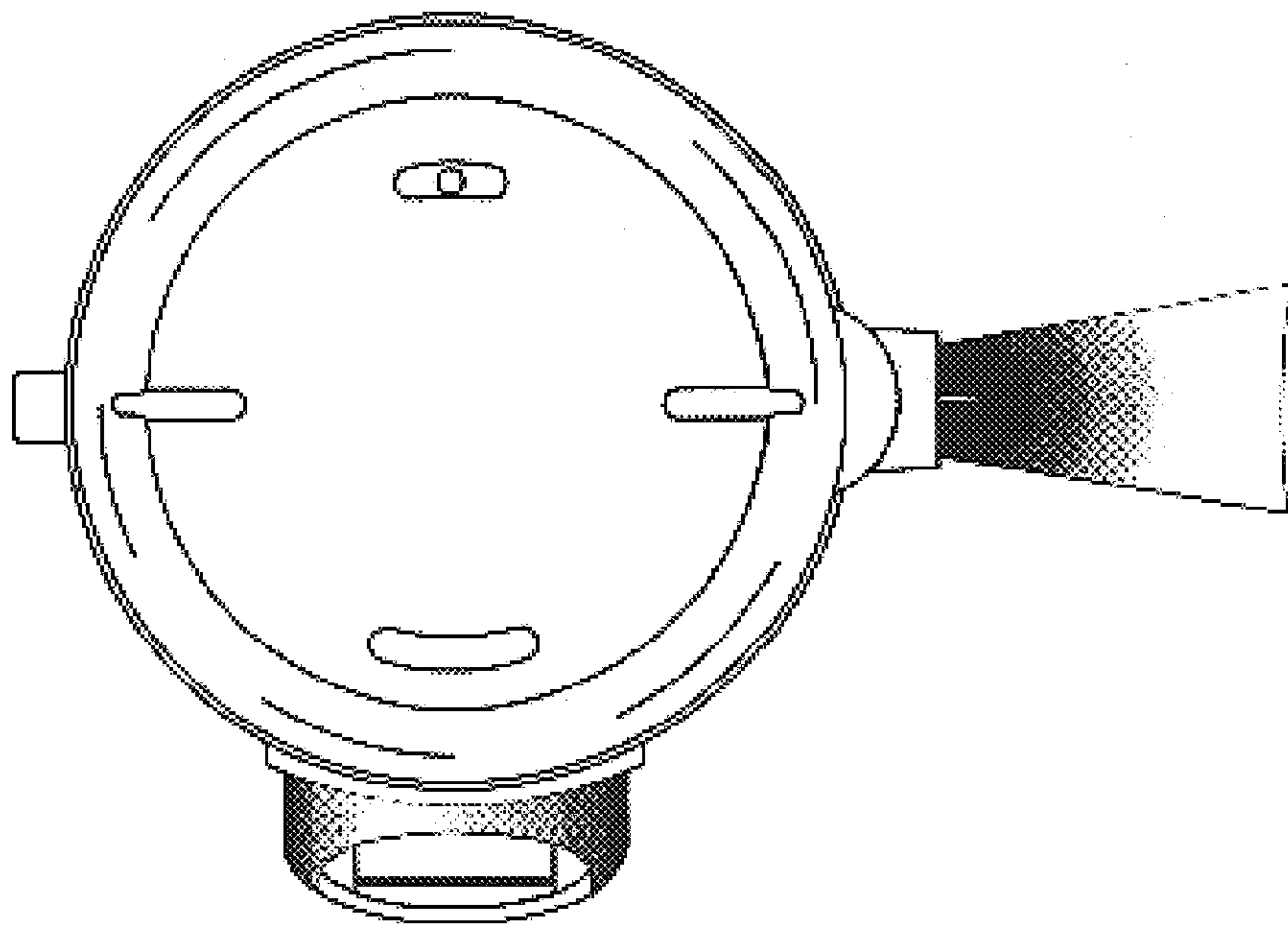


Fig. 5

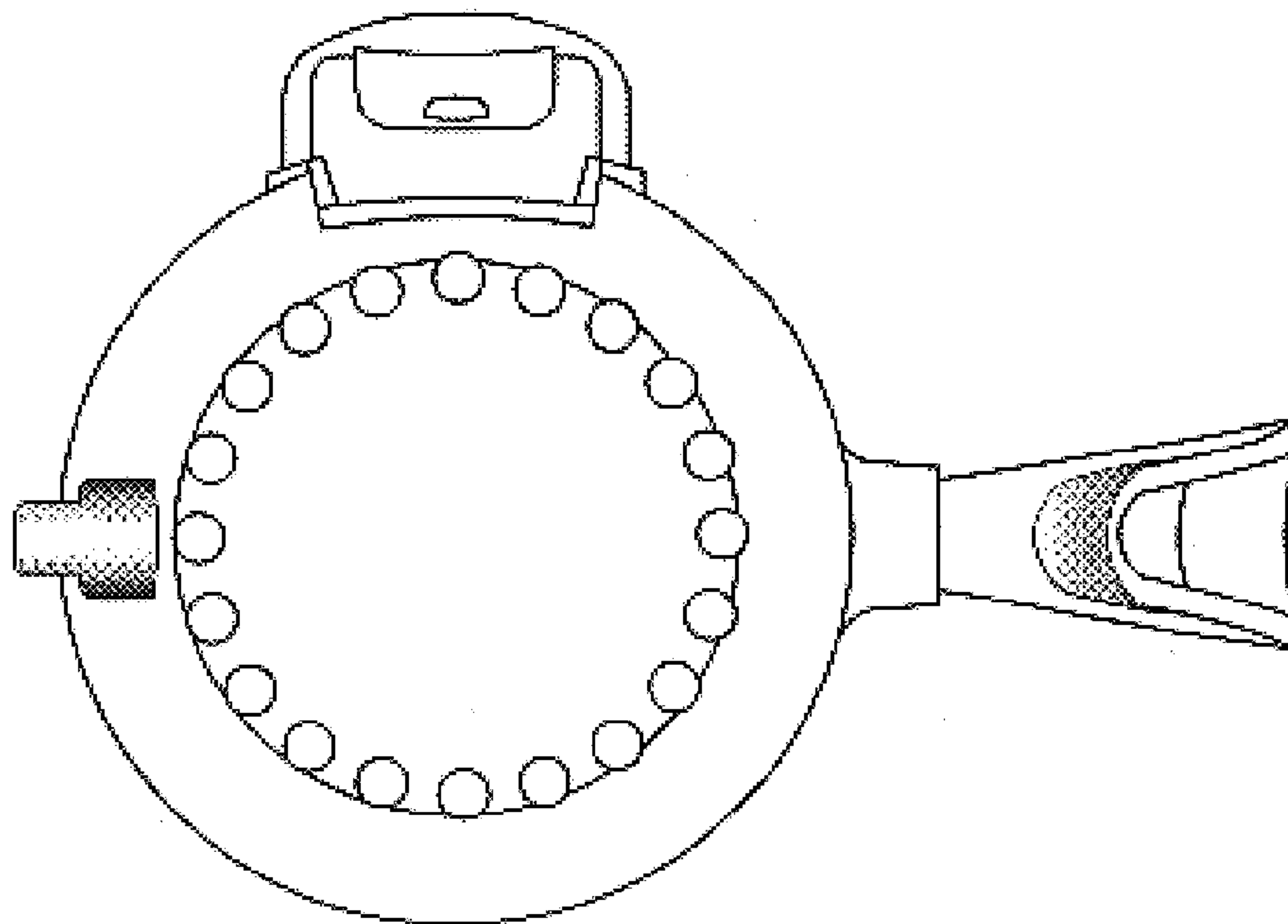


Fig. 6

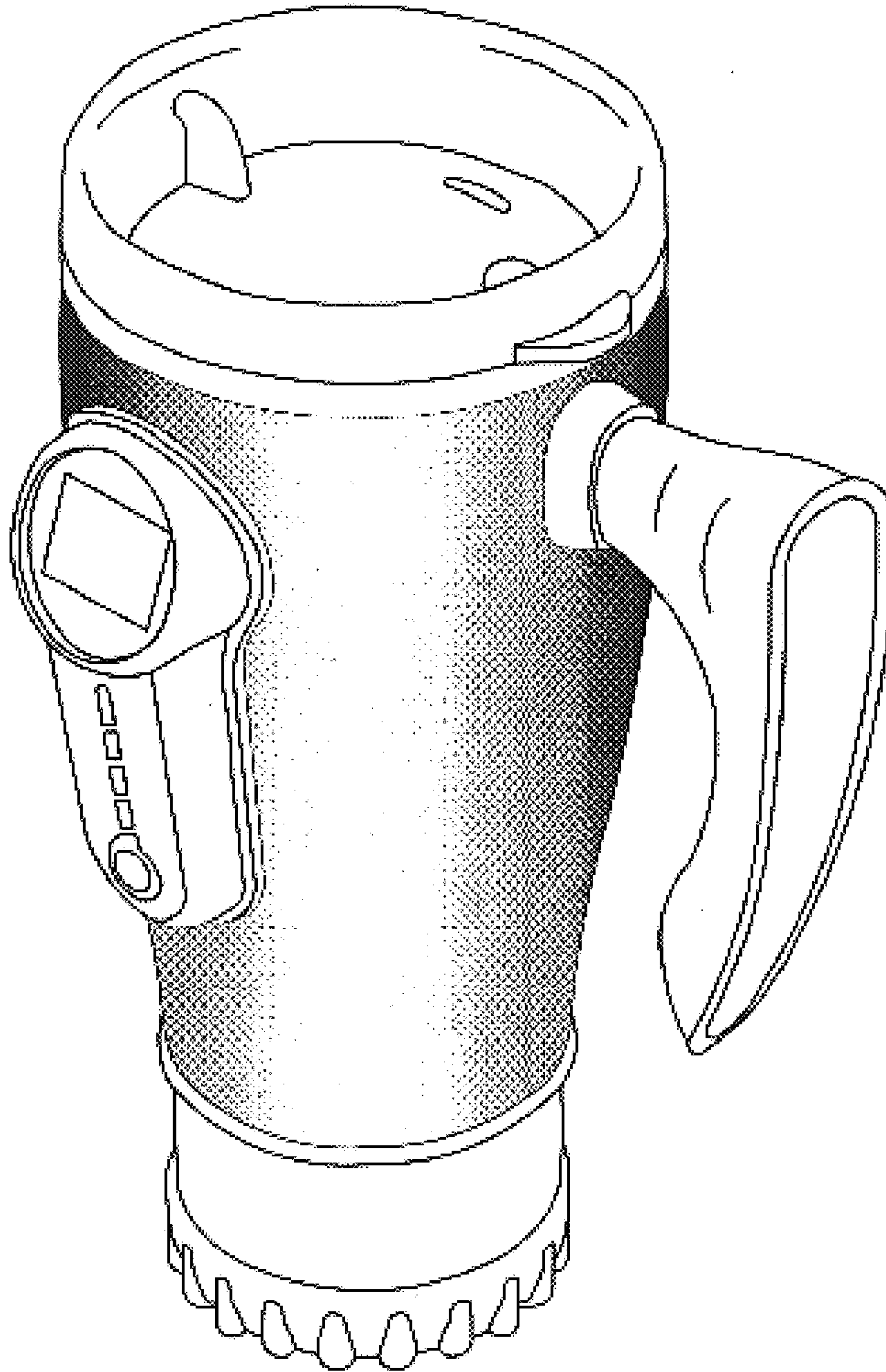


Fig. 7

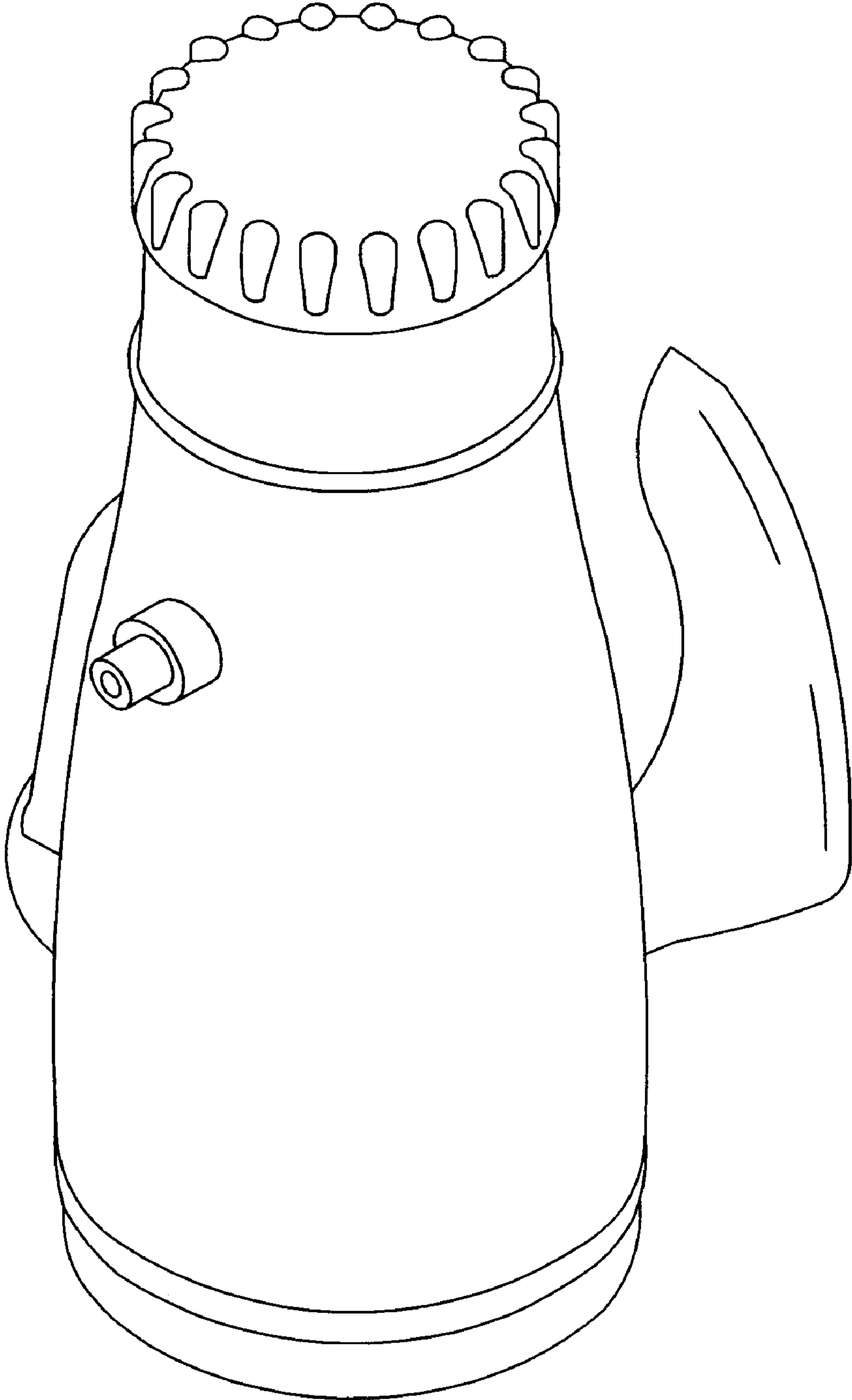


Fig. 8

UNITED STATES PATENT AND TRADEMARK OFFICE
CERTIFICATE OF CORRECTION

PATENT NO. : Des. 494,010 S
DATED : August 10, 2004
INVENTOR(S) : Yuen, Se Kit

Page 1 of 1

It is certified that error appears in the above-identified patent and that said Letters Patent is hereby corrected as shown below:

Title page,

Item [76], Inventors, should read -- **Yuen, Se Kit.** --

Signed and Sealed this

Twenty-fourth Day of May, 2005

A handwritten signature in black ink on a dotted background. The signature reads "Jon W. Dudas" in a cursive style.

JON W. DUDAS

Director of the United States Patent and Trademark Office