

US00D493998S1

(12) **United States Design Patent**
DeFelice

(10) **Patent No.:** **US D493,998 S**

(45) **Date of Patent:** **** Aug. 10, 2004**

(54) **KICK STAND PAD**

(76) **Inventor:** **David DeFelice**, 193 Webster Mills Rd.,
Pittsfield, NH (US) 03263

(**) **Term:** **14 Years**

(21) **Appl. No.:** **29/188,732**

(22) **Filed:** **Aug. 22, 2003**

(51) **LOC (7) Cl.** **06-11**

(52) **U.S. Cl.** **D6/582**

(58) **Field of Search** D6/582, 583, 588;
D12/203; 296/97.23; 15/215, 216, 217

(56) **References Cited**

U.S. PATENT DOCUMENTS

4,768,800 A	*	9/1988	Johns	280/293
D343,542 S	*	1/1994	Bellmore	D6/582
D353,070 S	*	12/1994	Hilton et al.	D6/582

* cited by examiner

Primary Examiner—Robin V. Taylor

(74) *Attorney, Agent, or Firm*—Steven N. Fox, Esq.

(57) **CLAIM**

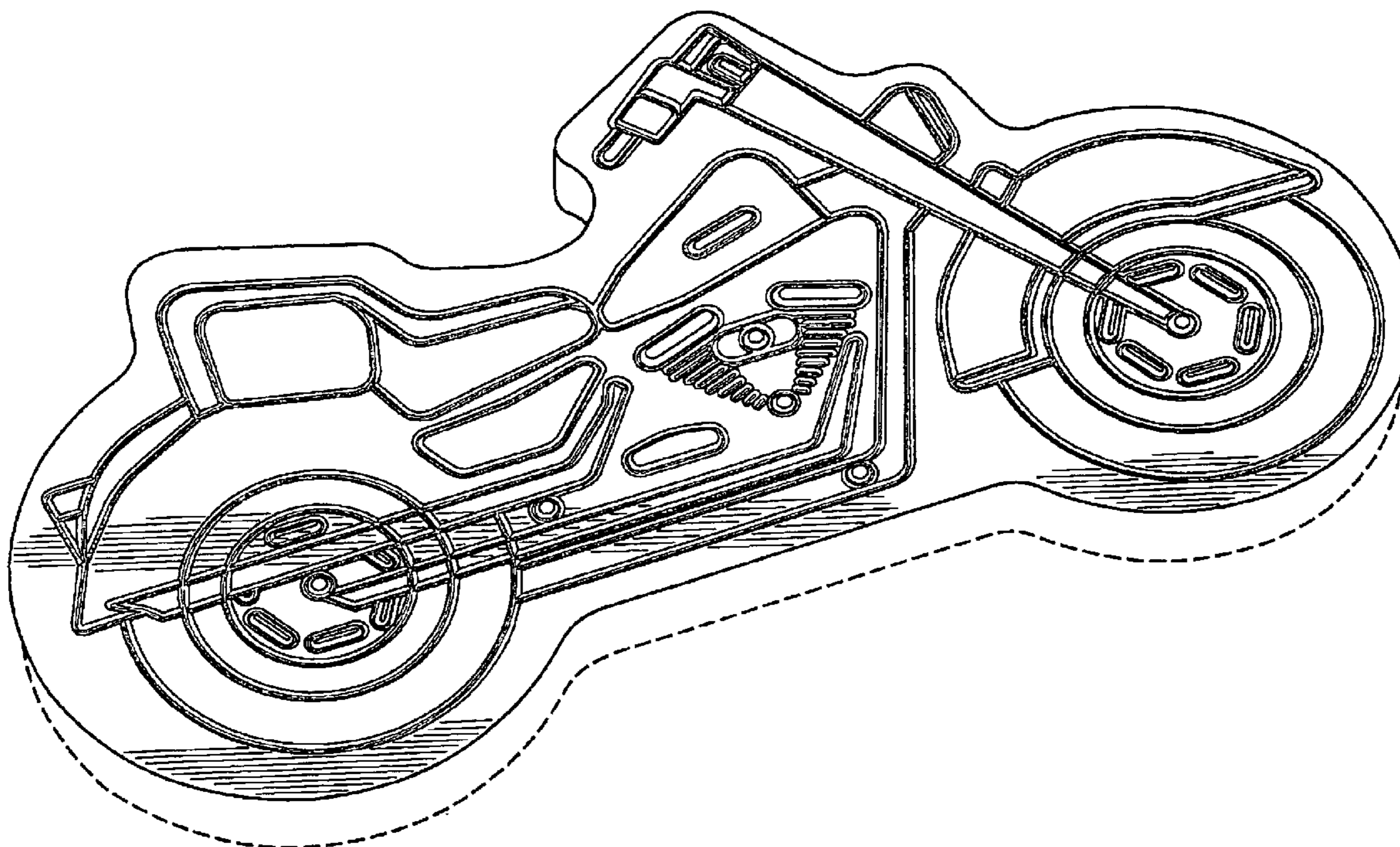
The ornamental design of a “kick stand pad,” as shown and described.

DESCRIPTION

FIG. 1 is a perspective view of the present invention;
FIG. 2 is a top plan view of the present invention;
FIG. 3 is a side elevation view of the present invention;
FIG. 4 is a side elevation view of the present invention;
FIG. 5 is a rear elevation view of the present invention;
FIG. 6 is a front elevation view of the present invention; and,
FIG. 7 is a bottom plan view of the present invention.

The broken lines shown in the drawings illustrate environment and do not form any part of the claimed design.

1 Claim, 3 Drawing Sheets



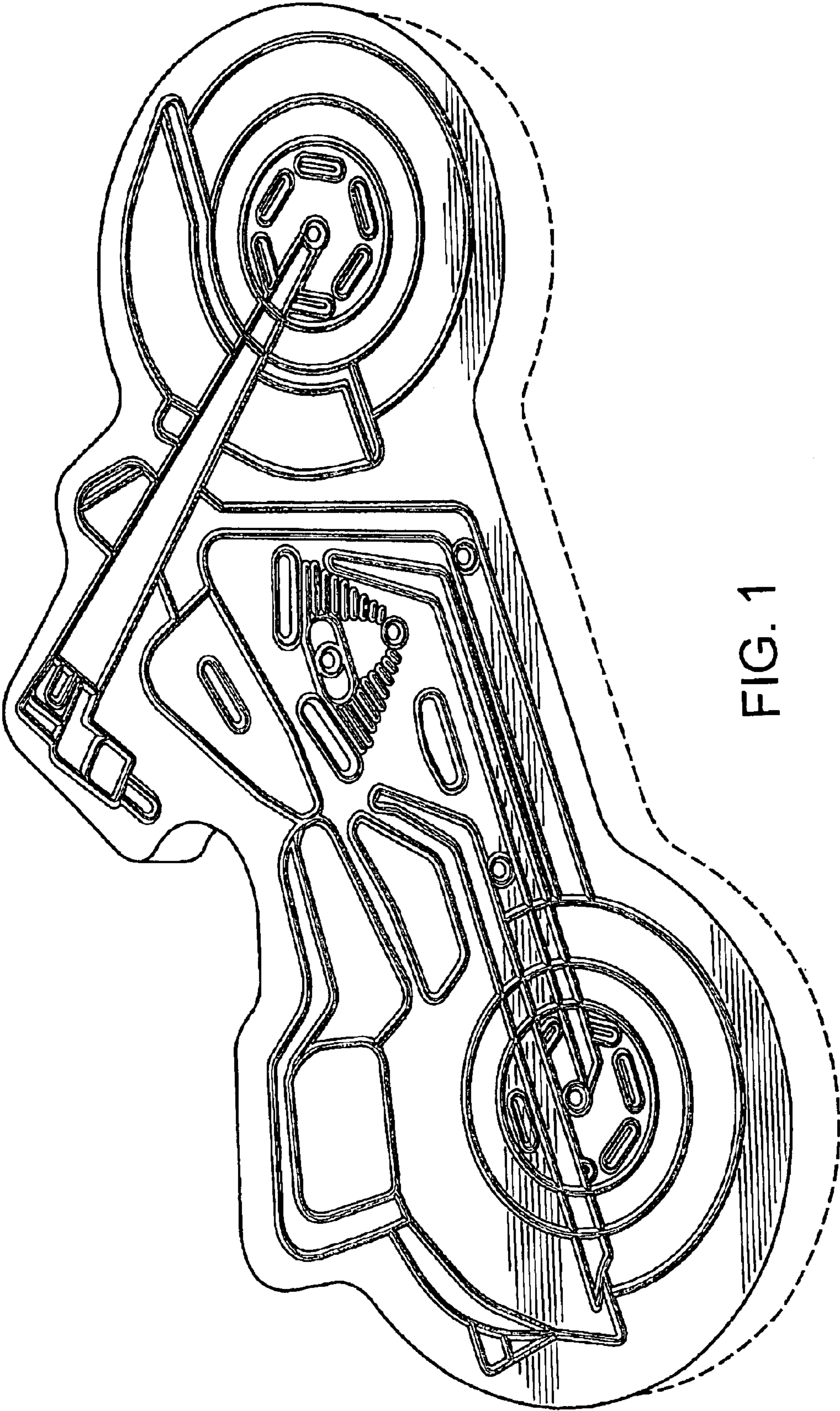


FIG. 1

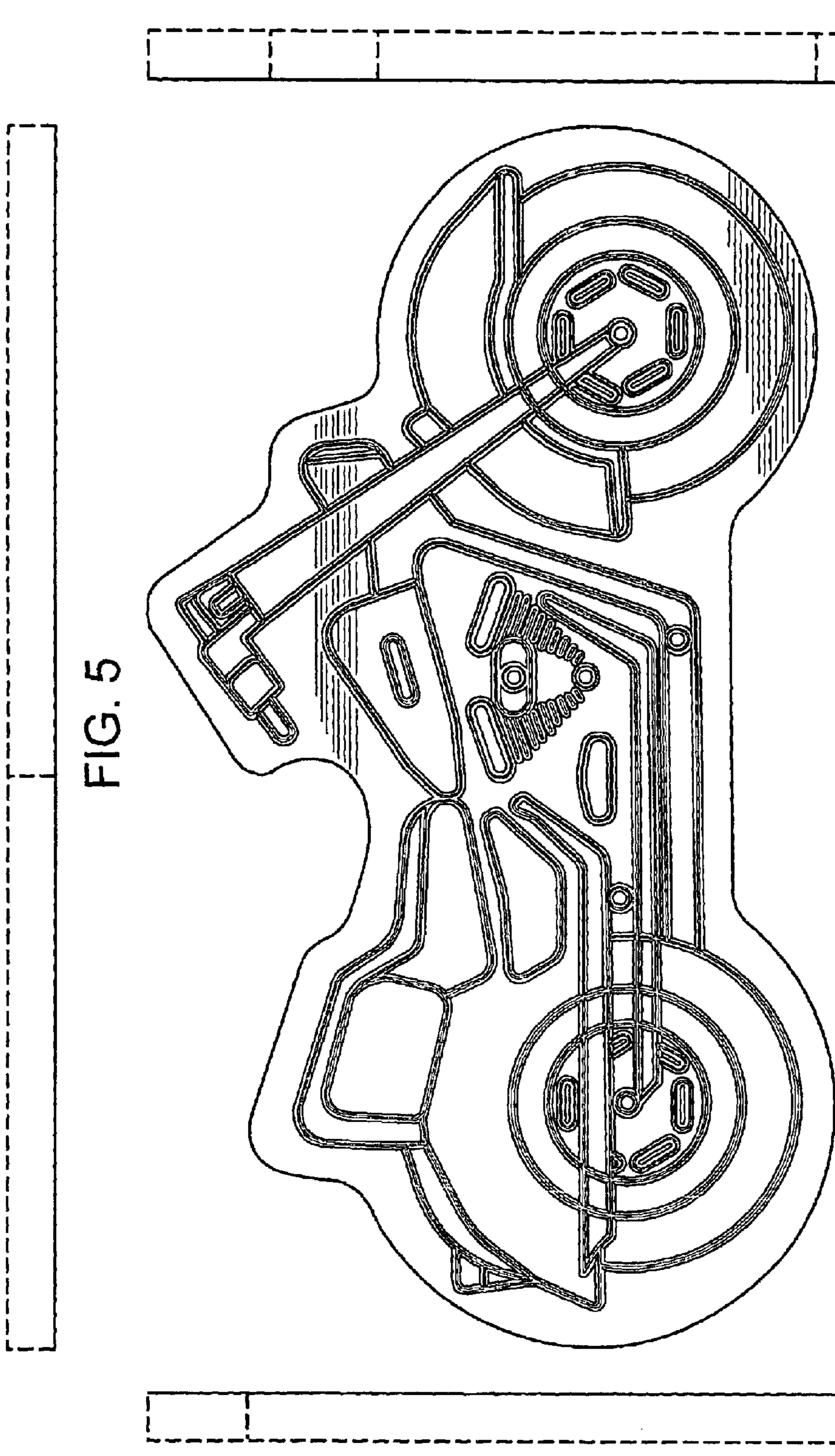


FIG. 2



FIG. 3

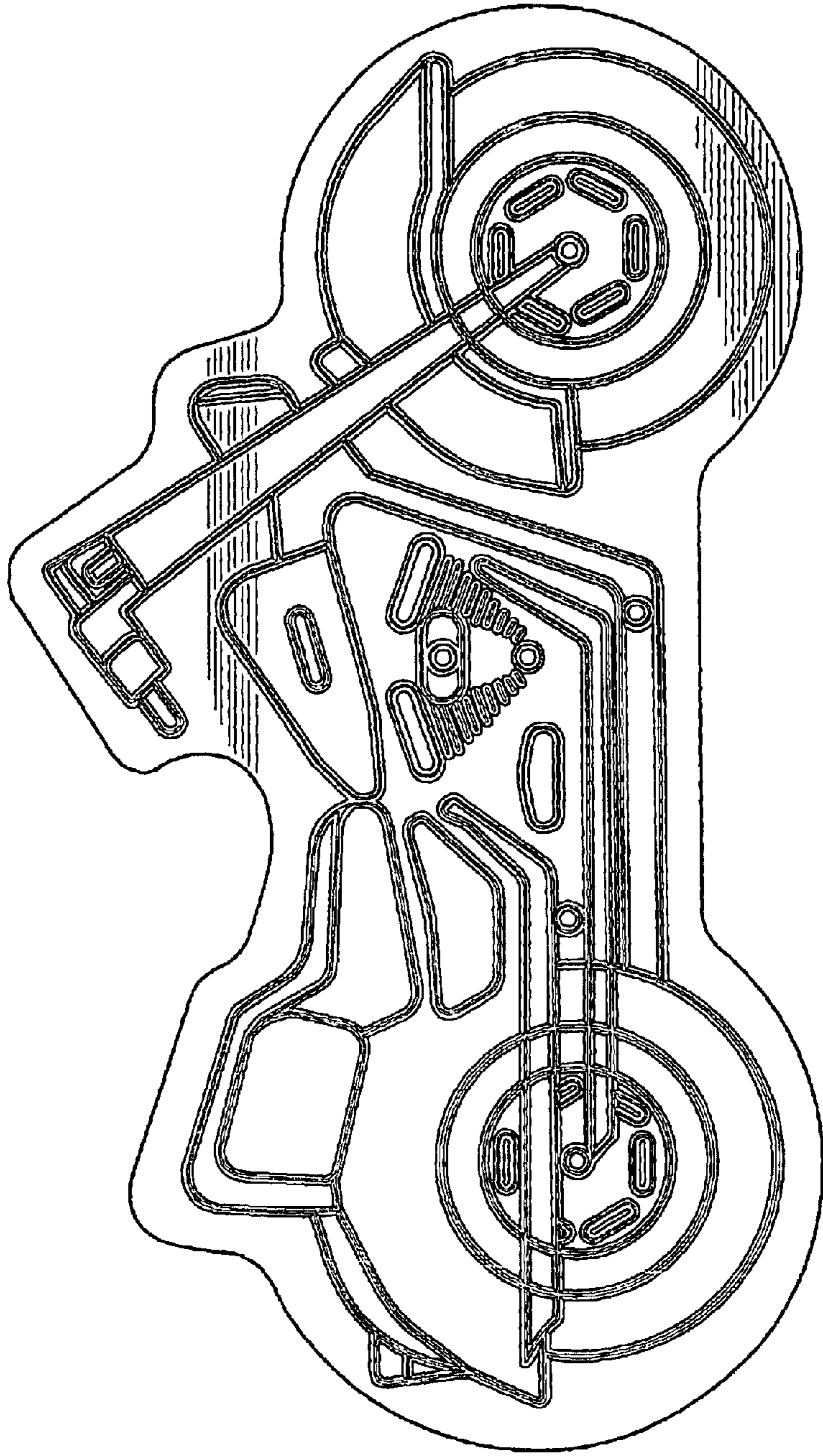


FIG. 4



FIG. 5



FIG. 6

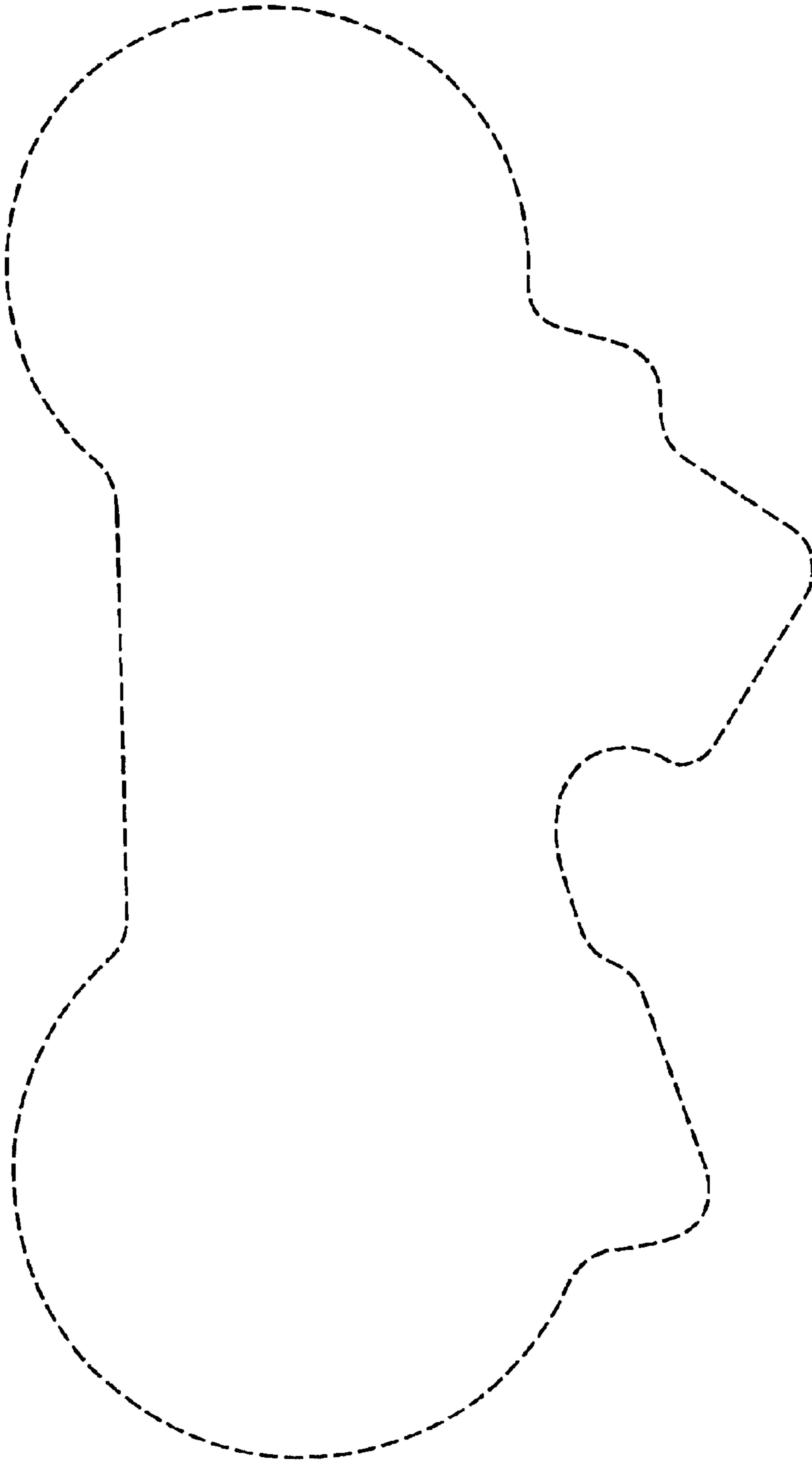


FIG. 7