

US00D493995S1

(12) **United States Design Patent**
Chen et al.

(10) **Patent No.:** **US D493,995 S**
(45) **Date of Patent:** **** Aug. 10, 2004**

(54) **UTILITY TRAY**

(75) Inventors: **Peter Chen**, West Windsor, NJ (US);
Kevin Hui-Lien Lee, East Brunswick,
NJ (US); **Jungkun Lee**, Edison, NJ
(US)

(73) Assignee: **Officemate International Corp.**,
Edison, NJ (US)

(**) Term: **14 Years**

(21) Appl. No.: **29/193,635**

(22) Filed: **Nov. 11, 2003**

(51) **LOC (7) Cl.** **06-04**

(52) **U.S. Cl.** **D6/553**

(58) **Field of Search** D6/552, 553, 567,
D6/574; 211/13.1, 69.1, 70.6, 70.7, 71-72,
74-75, 86.01, 87.01, 88.01, 90.01, 126.1

(56) **References Cited**

U.S. PATENT DOCUMENTS

D267,808 S * 2/1983 Russo D6/567
D308,148 S * 5/1990 Meyer D6/567

D339,017 S * 9/1993 Goodman et al. D6/567
D359,404 S * 6/1995 Svec D6/574
D362,780 S * 10/1995 Hampshire D6/567
D383,633 S * 9/1997 Schweitzer D6/567
D422,828 S * 4/2000 Kanfer et al. D6/567

* cited by examiner

Primary Examiner—Brian N Vinson

(74) *Attorney, Agent, or Firm*—Daniel Kirshner, Esq.

(57) **CLAIM**

The ornamental design for a utility tray, as shown.

DESCRIPTION

FIG. 1 is a front perspective view of the utility tray showing the design;

FIG. 2 is a front elevational view thereof;

FIG. 3 is a back elevational view thereof;

FIG. 4 is a left side elevational view thereof;

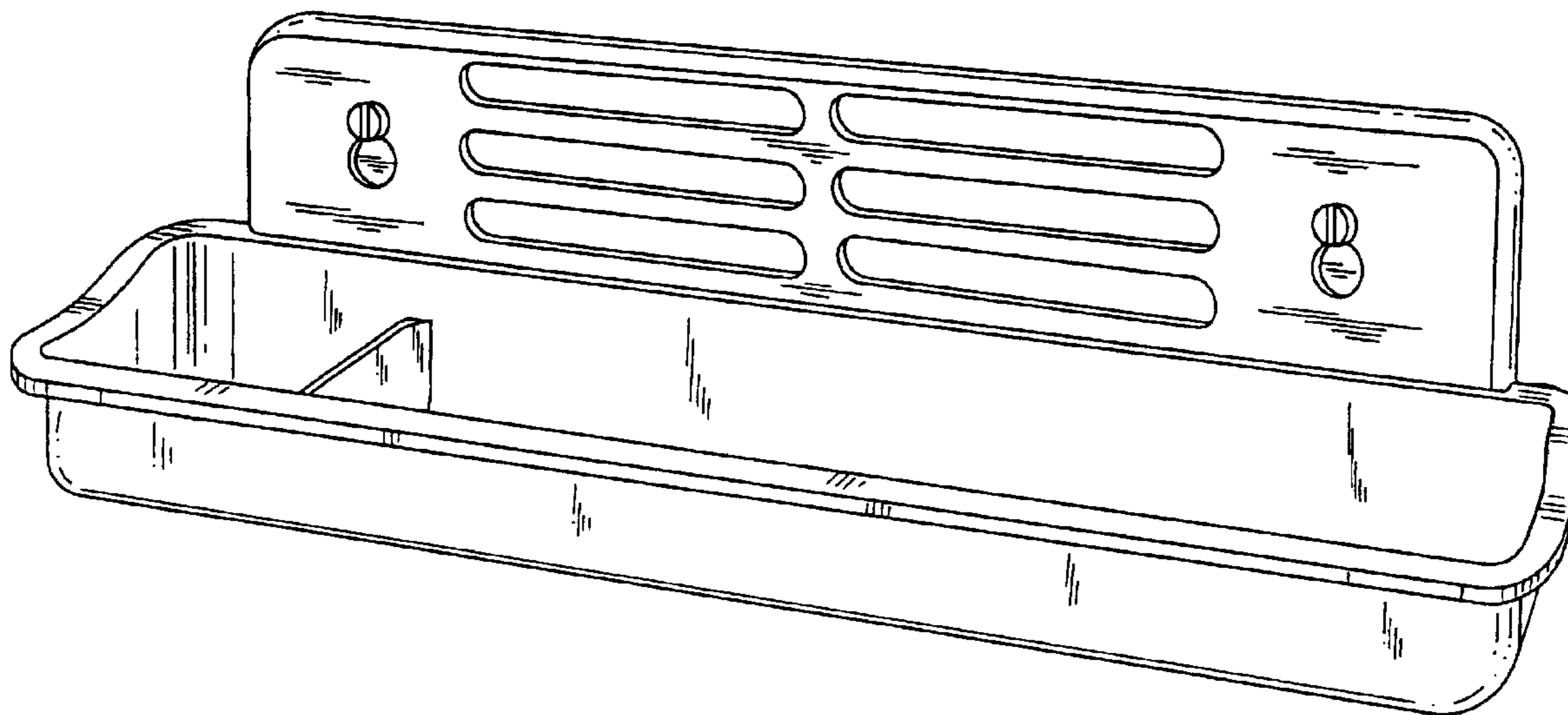
FIG. 5 is a right side elevational view thereof;

FIG. 6 is a top plan view thereof;

FIG. 7 is a bottom plan view thereof; and,

FIG. 8 is a front perspective view thereof showing the attachment devices detached.

1 Claim, 7 Drawing Sheets



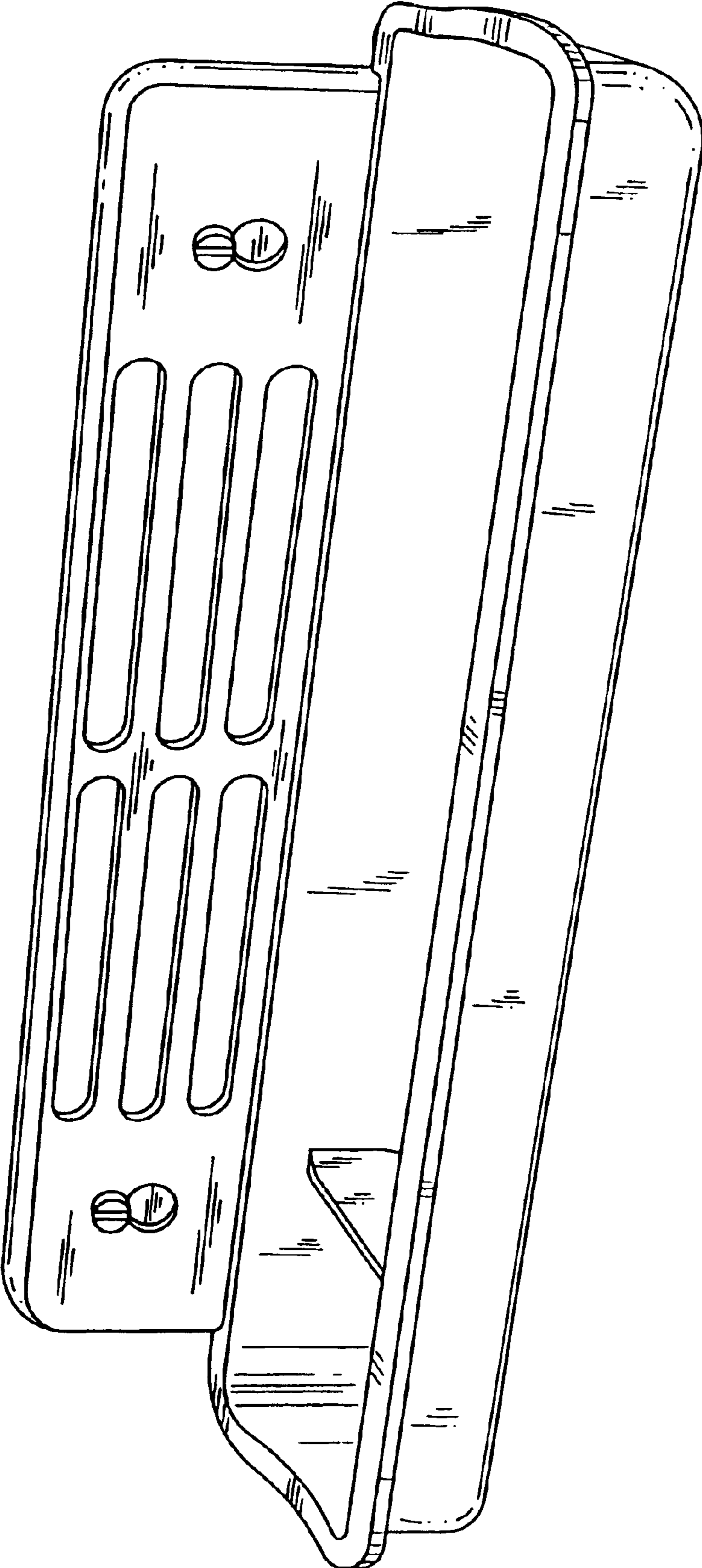


FIG. 1

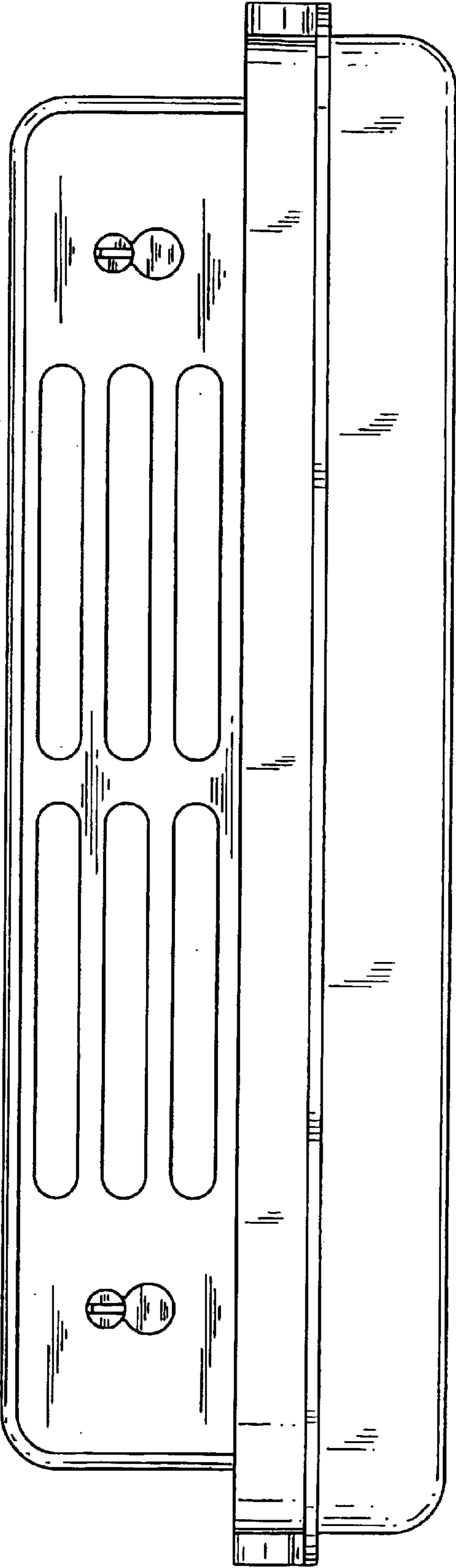


FIG. 2

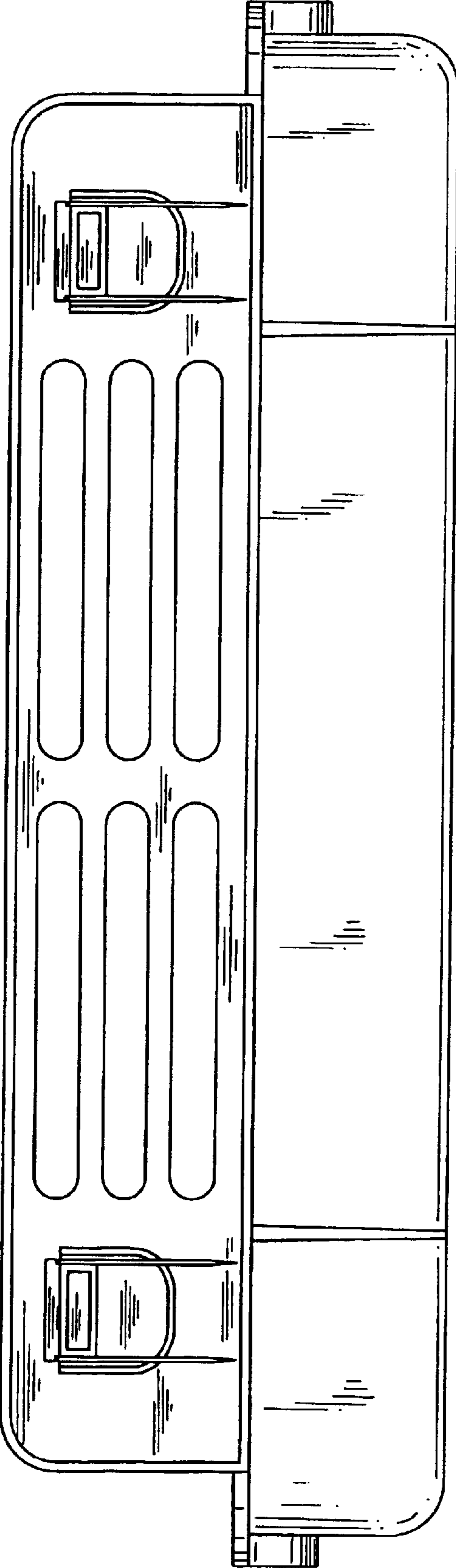


FIG. 3

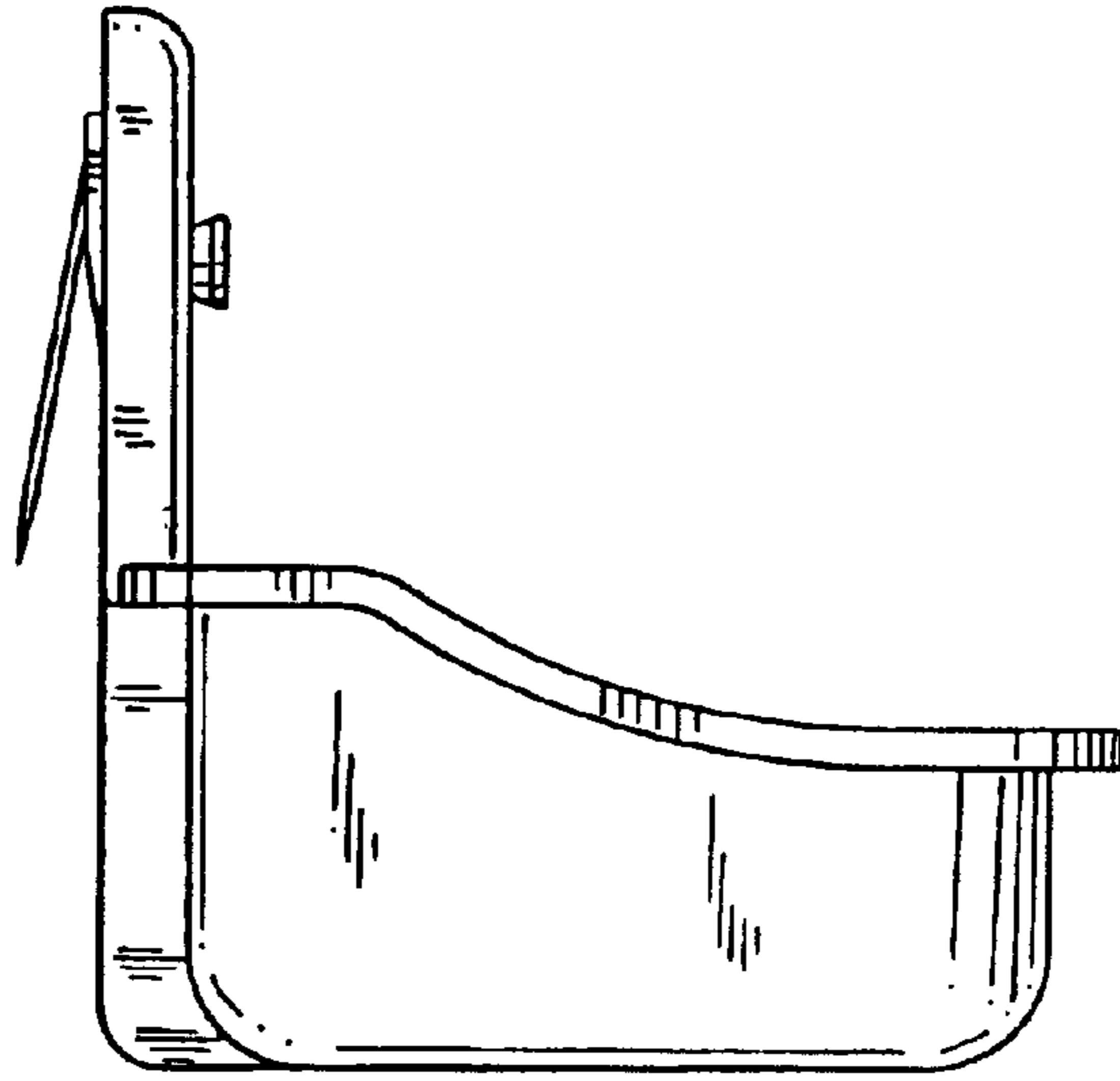


FIG. 4

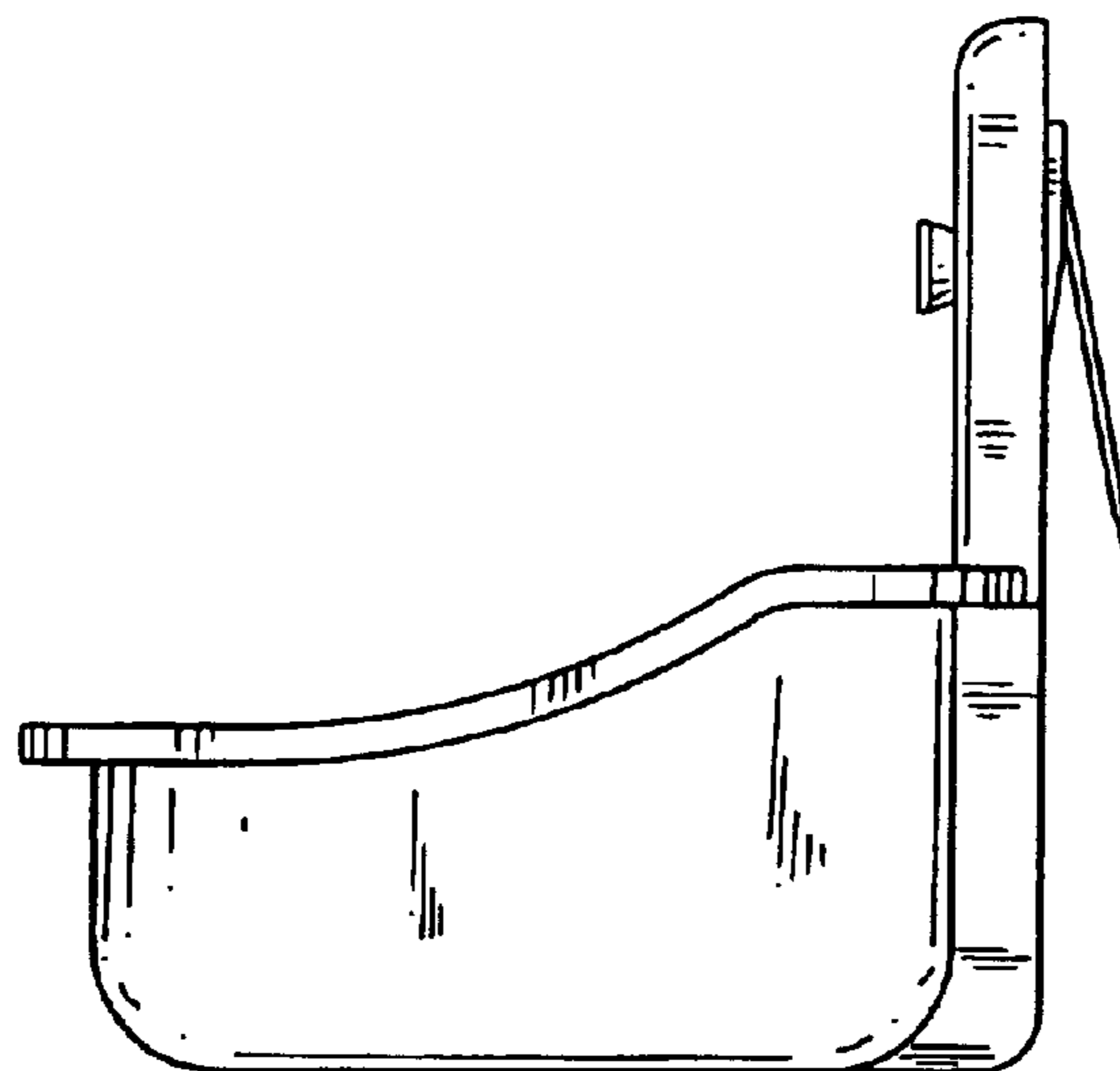


FIG. 5

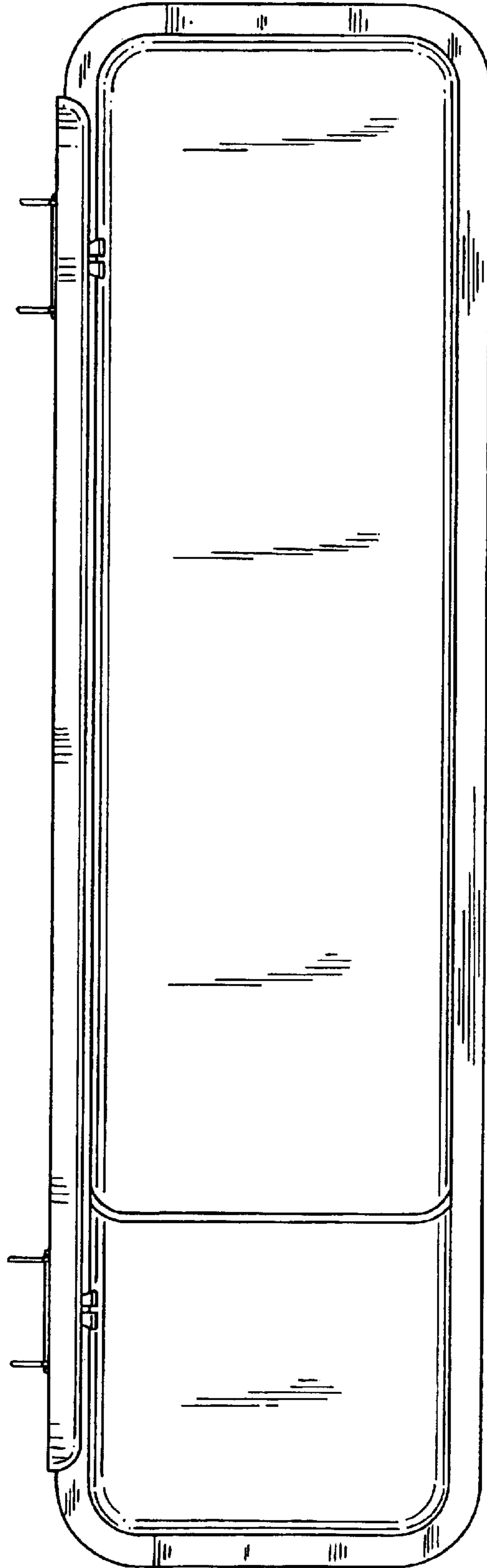


FIG. 6

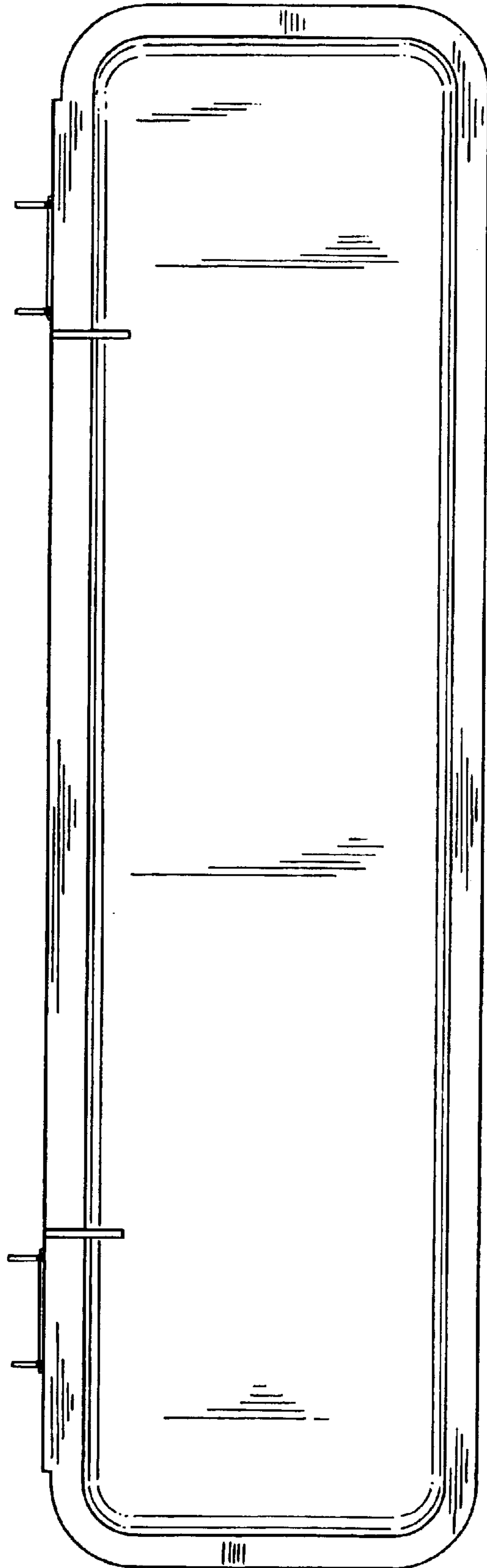


FIG. 7

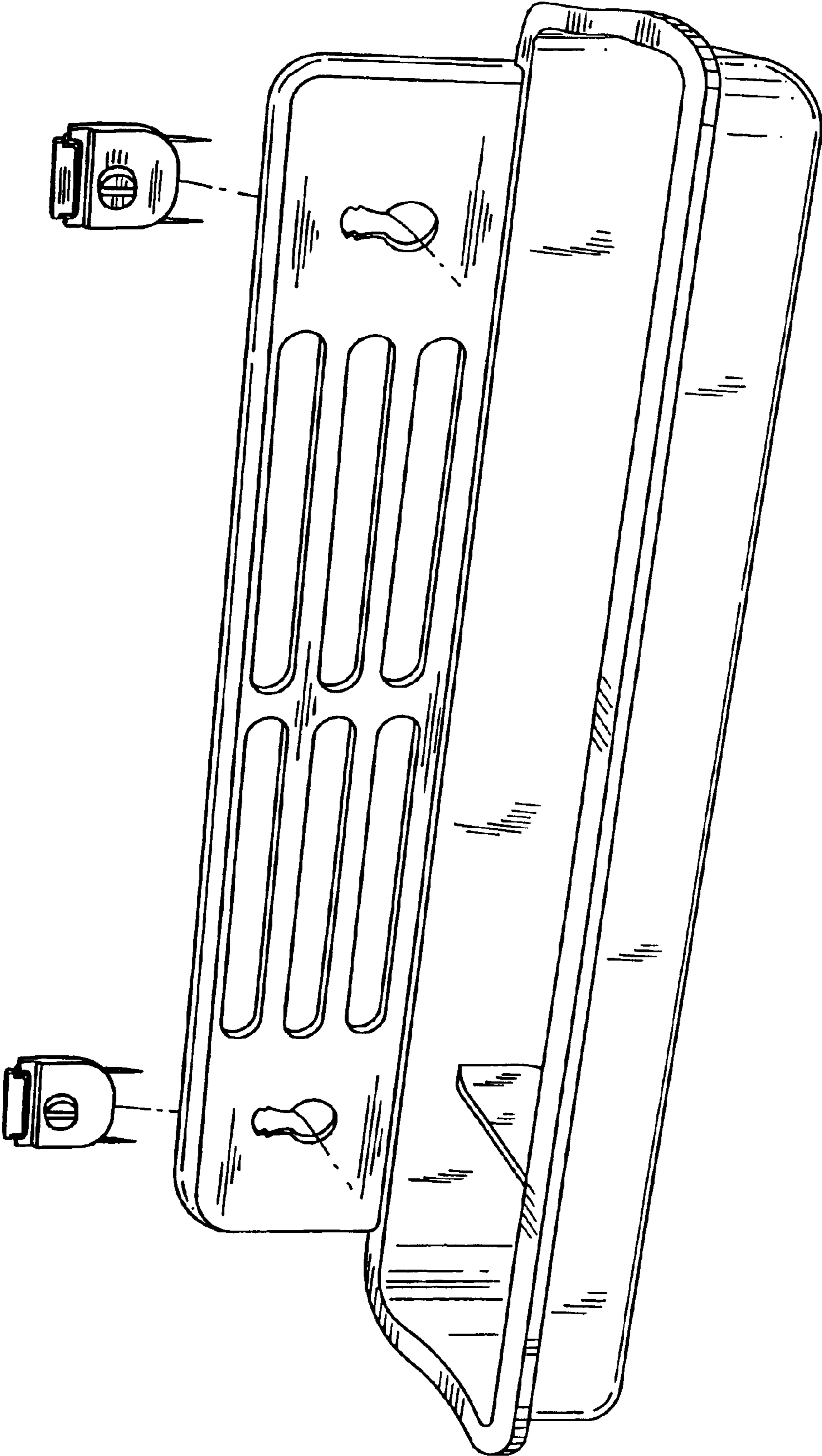


FIG. 8