

US00D493993S1

(12) **United States Design Patent**
Roberts, III et al.

(10) **Patent No.: US D493,993 S**

(45) **Date of Patent: ** Aug. 10, 2004**

(54) **BASE ESCUTCHEON FOR POST**
(75) Inventors: **Rockwood T. Roberts, III**, Shillington,
PA (US); **Mark Edward Ayers**,
Leesport, PA (US)

D405,995 S * 2/1999 Harris D6/524
D431,948 S * 10/2000 Chen D6/524
D452,790 S * 1/2002 Chen D6/524
D453,433 S * 2/2002 Gilbert et al. D6/524
D466,350 S * 12/2002 Tai D6/550
D481,234 S * 10/2003 Lai D6/524

(73) Assignee: **Newfrey LLC**, Newark, DE (US)

* cited by examiner

(**) Term: **14 Years**

Primary Examiner—Brian N Vinson

(21) Appl. No.: **29/188,408**

(74) *Attorney, Agent, or Firm*—Richard J. Veltman; John D.
Del Ponti

(22) Filed: **Aug. 18, 2003**

(57) **CLAIM**

(51) **LOC (7) Cl.** **23-02**

The ornamental design for a base escutcheon for post, as
shown and described.

(52) **U.S. Cl.** **D6/550**

(58) **Field of Search** D6/546–550, 518–519,
D6/522–524; D8/300, 303, 315–321; 108/28–29;
211/13.1, 16, 60.1, 86.01, 87.01, 88.01,
88.04, 100, 105.1–105.2, 123, 181.1, 182;
248/175, 176.1, 251, 302; 16/110.1, 412,
415; 242/570, 590, 595–598

DESCRIPTION

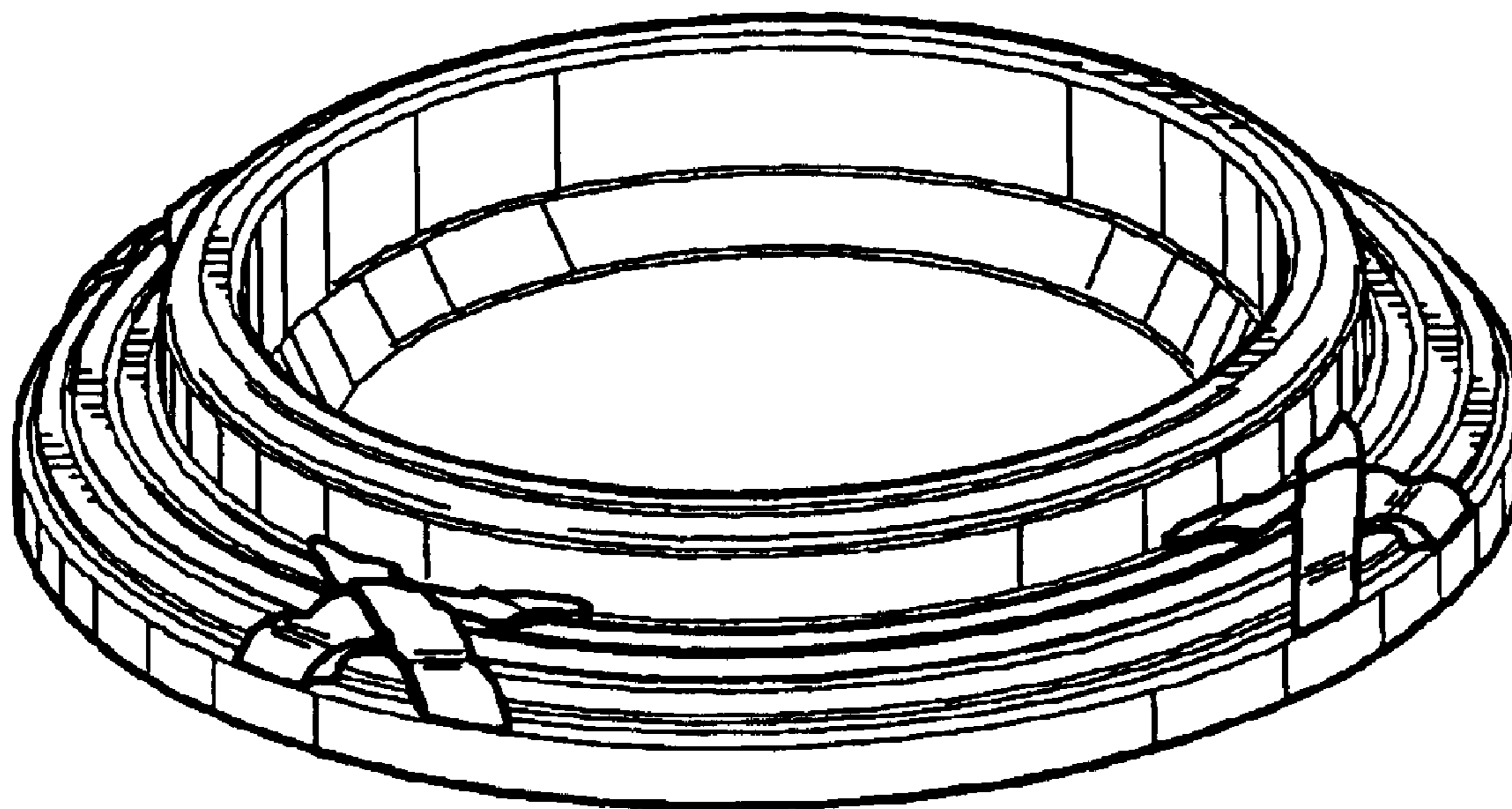
FIG. 1 is a perspective view of a base escutcheon for post
showing our new design;
FIG. 2 is a first side view thereof;
FIG. 3 is a front elevational view thereof;
FIG. 4 is a second side view thereof; and,
FIG. 5 is a rear view thereof.

(56) **References Cited**

U.S. PATENT DOCUMENTS

D361,671 S * 8/1995 Sharpe D6/323

1 Claim, 2 Drawing Sheets



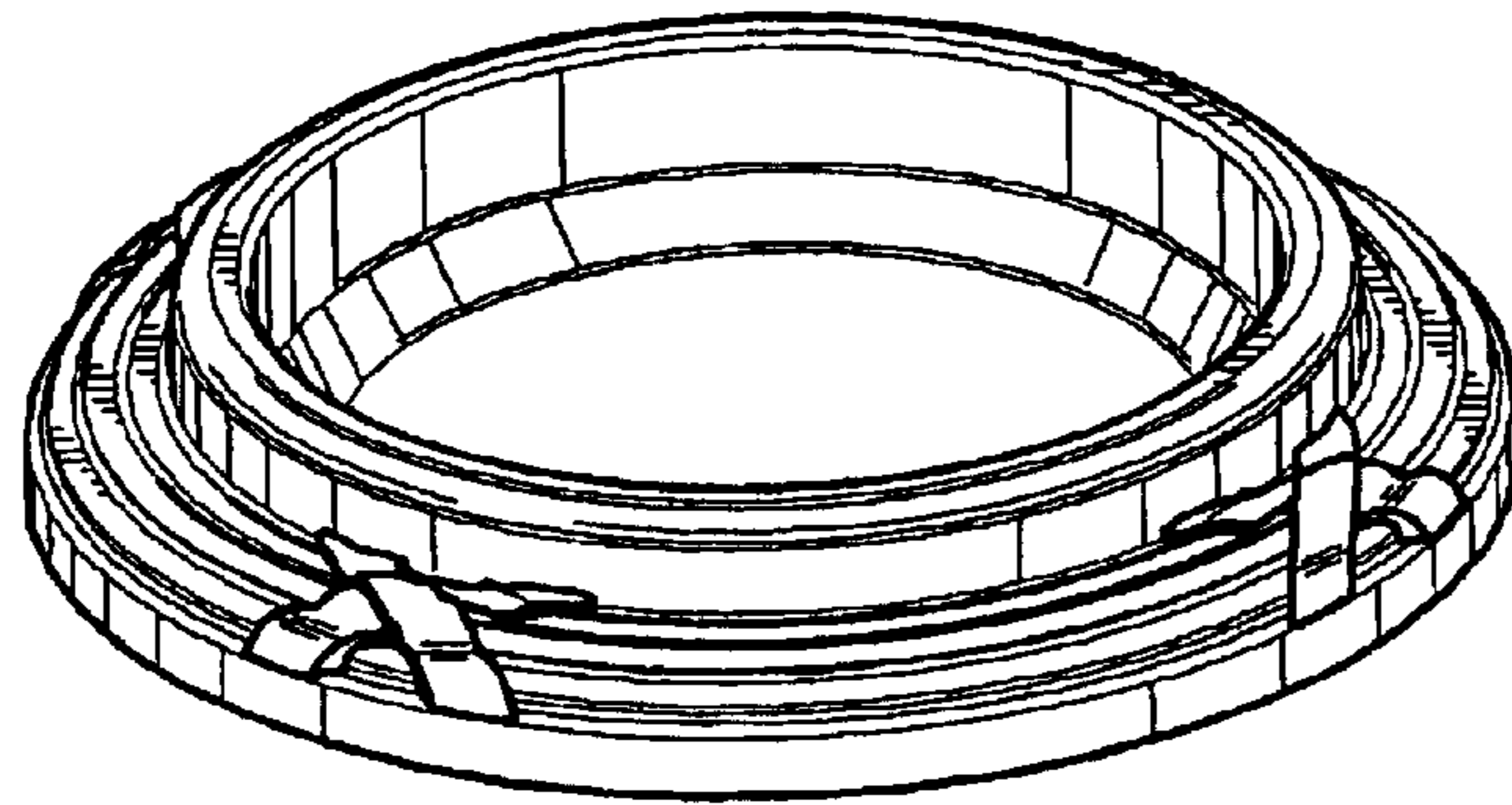


FIG - 1



FIG - 2

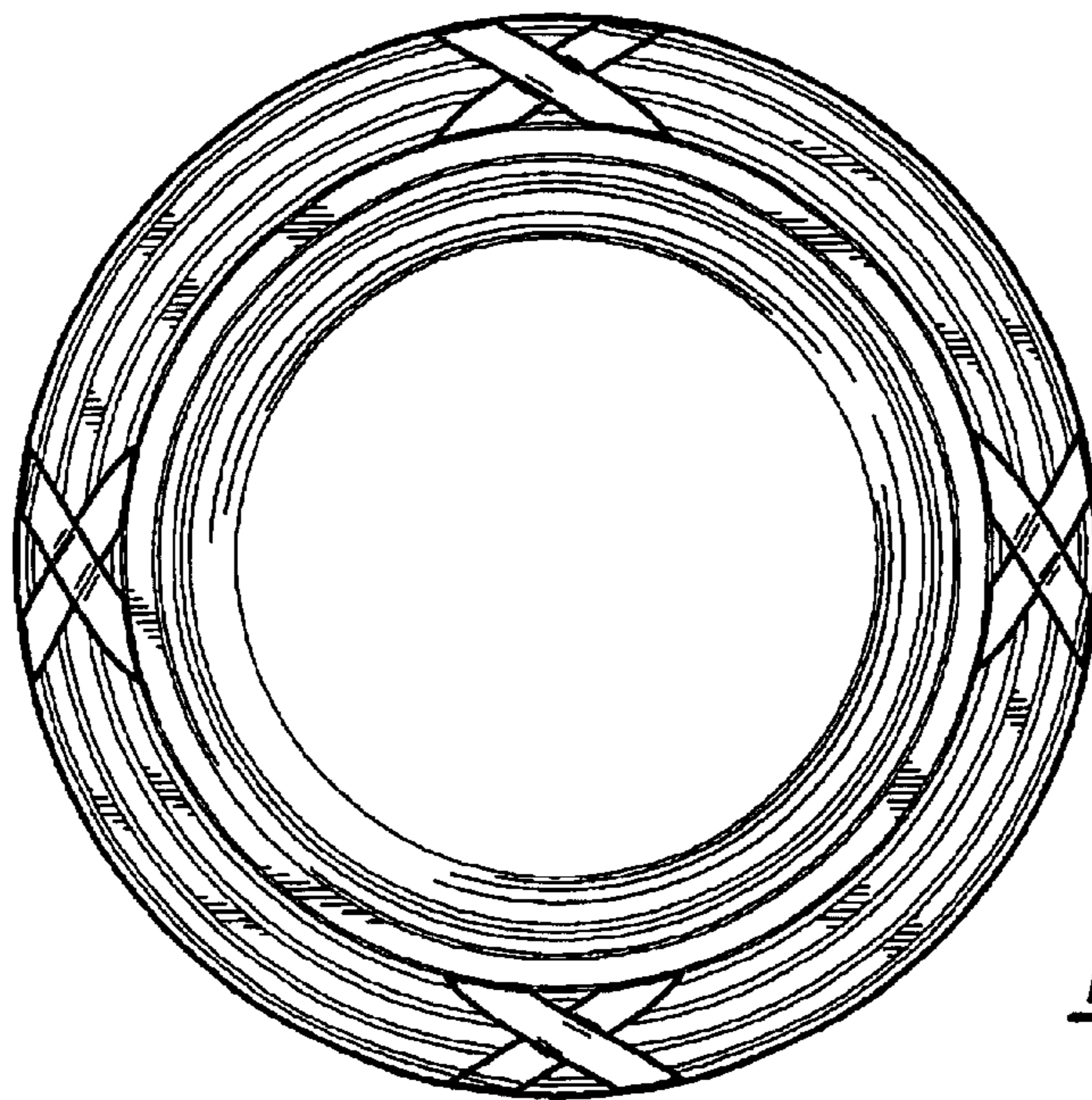


FIG - 3



FIG - 4

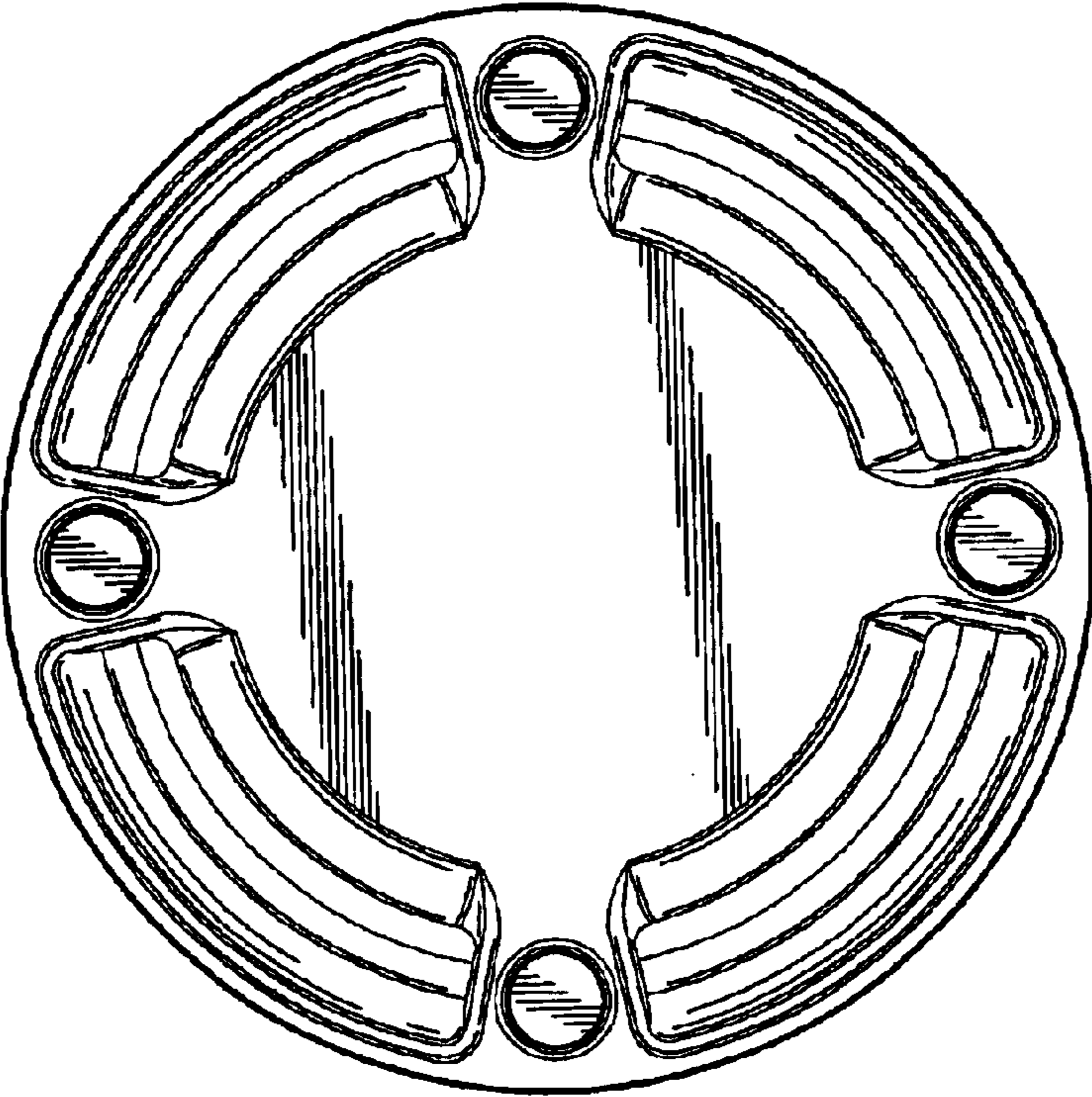


FIG - 5