

US00D493990S1

(12) **United States Design Patent**  
**Ayers et al.**

(10) **Patent No.: US D493,990 S**

(45) **Date of Patent: \*\* Aug. 10, 2004**

(54) **BATH ACCESSORY POST**

(75) Inventors: **Mark Edward Ayers**, Leesport, PA  
(US); **Rockwood T. Roberts, III**,  
Shillington, PA (US)

(73) Assignee: **Newfrey LLC**, Newmark, DE (US)

(\*\*) Term: **14 Years**

(21) Appl. No.: **29/190,916**

(22) Filed: **Sep. 29, 2003**

(51) **LOC (7) Cl.** ..... **23-02**

(52) **U.S. Cl.** ..... **D6/524**

(58) **Field of Search** ..... D6/546–550, 518–519,  
D6/522–524; D8/300, 303, 315–321, 354,  
363, 373, 380; 108/28–29; 211/13.1, 16,  
60.1, 86.01, 87.01, 88.01, 88.04, 100, 105.1–105.2,  
119.003, 123, 126.1, 133.6, 134, 181.1,  
182; 248/175, 176.1, 200, 214, 251, 302,  
309.1; 16/110.1, 412, 415; 242/570, 590;  
206/389, 557

(56) **References Cited**

**U.S. PATENT DOCUMENTS**

D41,956 S \* 12/1911 Nelson ..... D6/549

D53,683 S \* 8/1919 Jordan ..... D6/549  
D465,956 S \* 11/2002 Ouyoung ..... D6/550  
D477,946 S \* 8/2003 Ouano ..... D6/524  
D478,755 S \* 8/2003 Moore ..... D6/524  
D482,917 S \* 12/2003 Chen ..... D6/524

\* cited by examiner

*Primary Examiner*—Brian N. Vinson

(74) *Attorney, Agent, or Firm*—Richard J. Veltman; John D.  
Del Ponti

(57) **CLAIM**

The ornamental design for a bath accessory post, as shown  
and described.

**DESCRIPTION**

FIG. 1 is a perspective view of a bath accessory post  
showing our new design;

FIG. 2 is a right side view thereof;

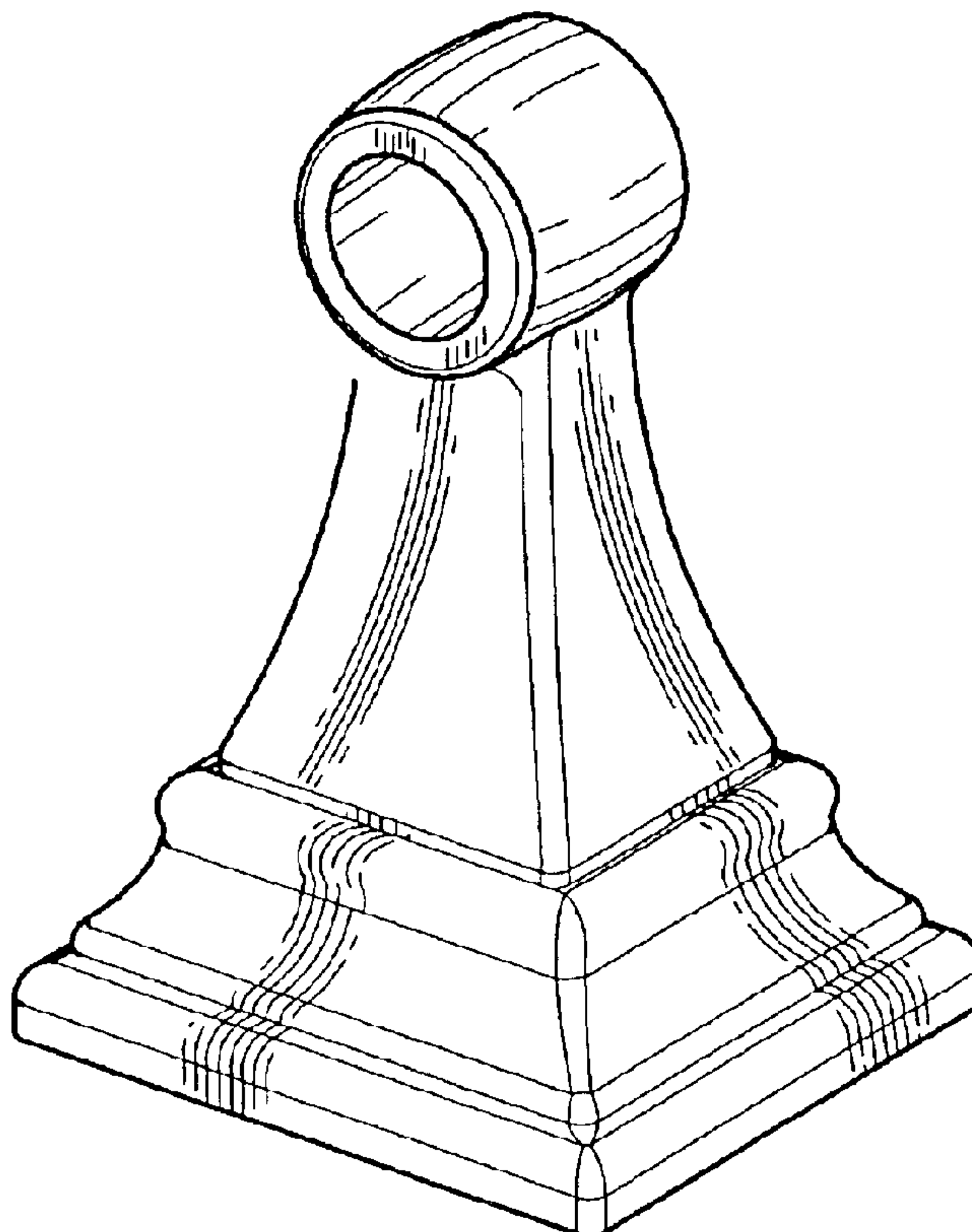
FIG. 3 is a front elevational view thereof;

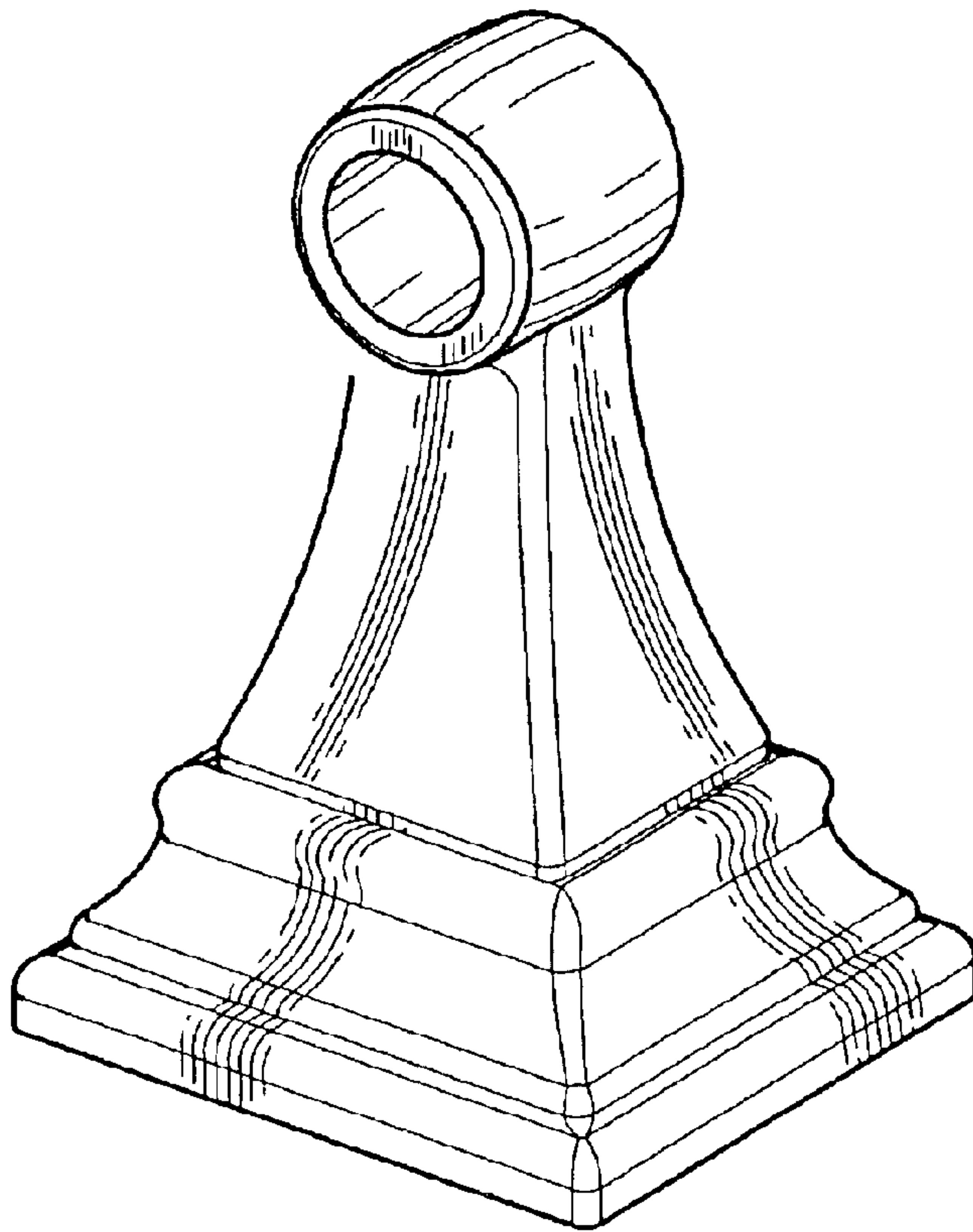
FIG. 4 is a left side view thereof;

FIG. 5 is a top plan view thereof; and,

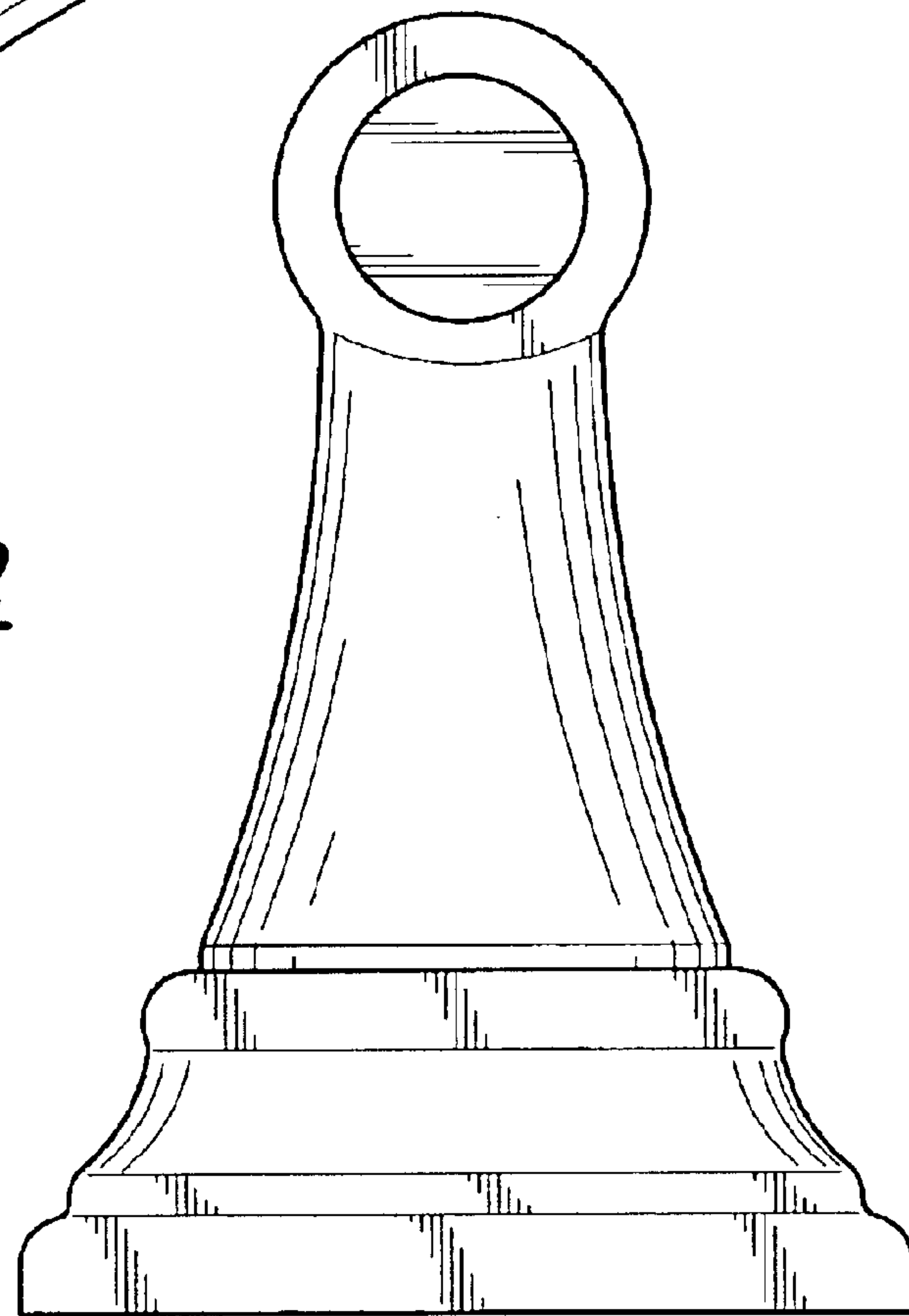
FIG. 6 is a bottom view thereof.

**1 Claim, 3 Drawing Sheets**

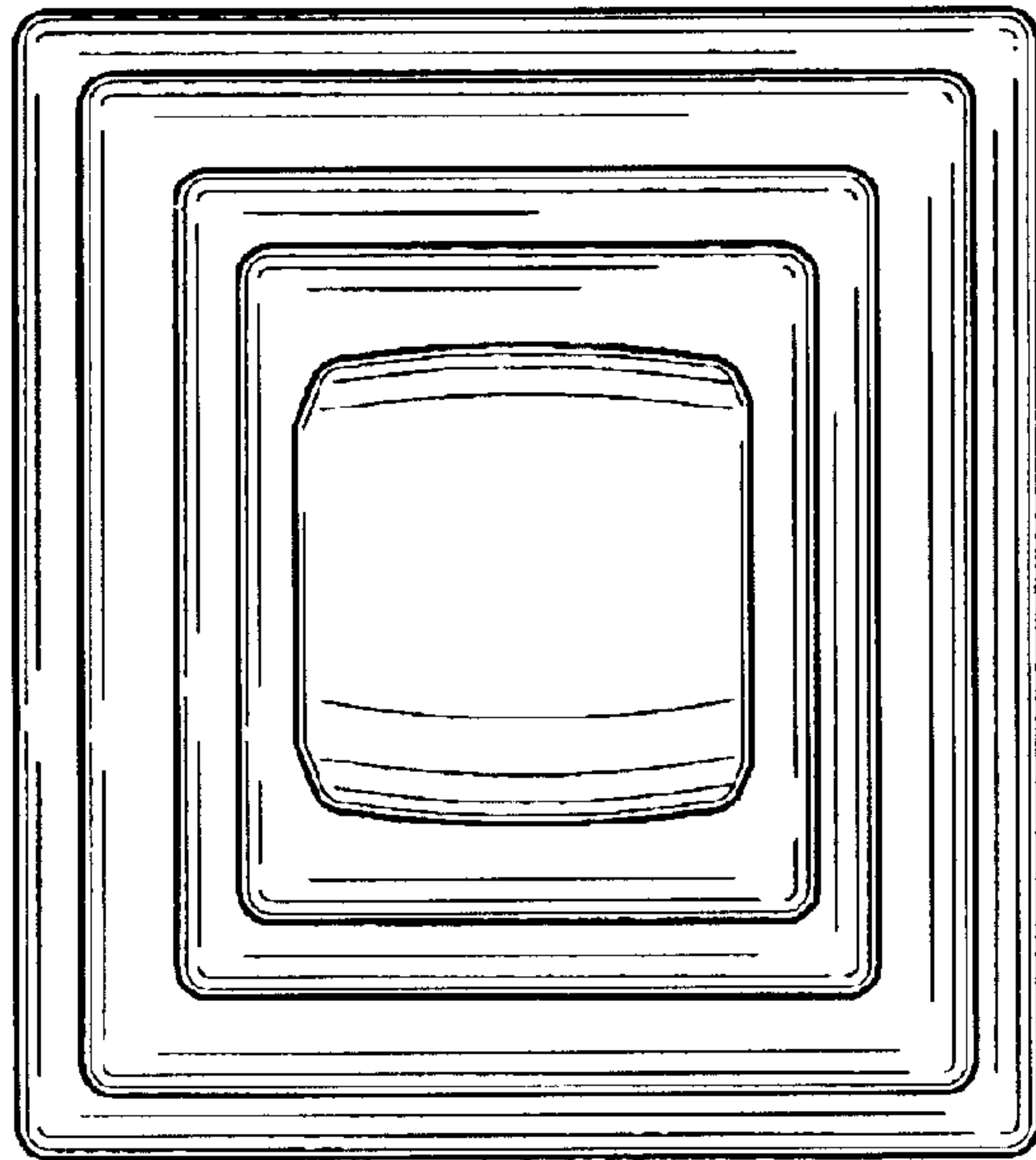




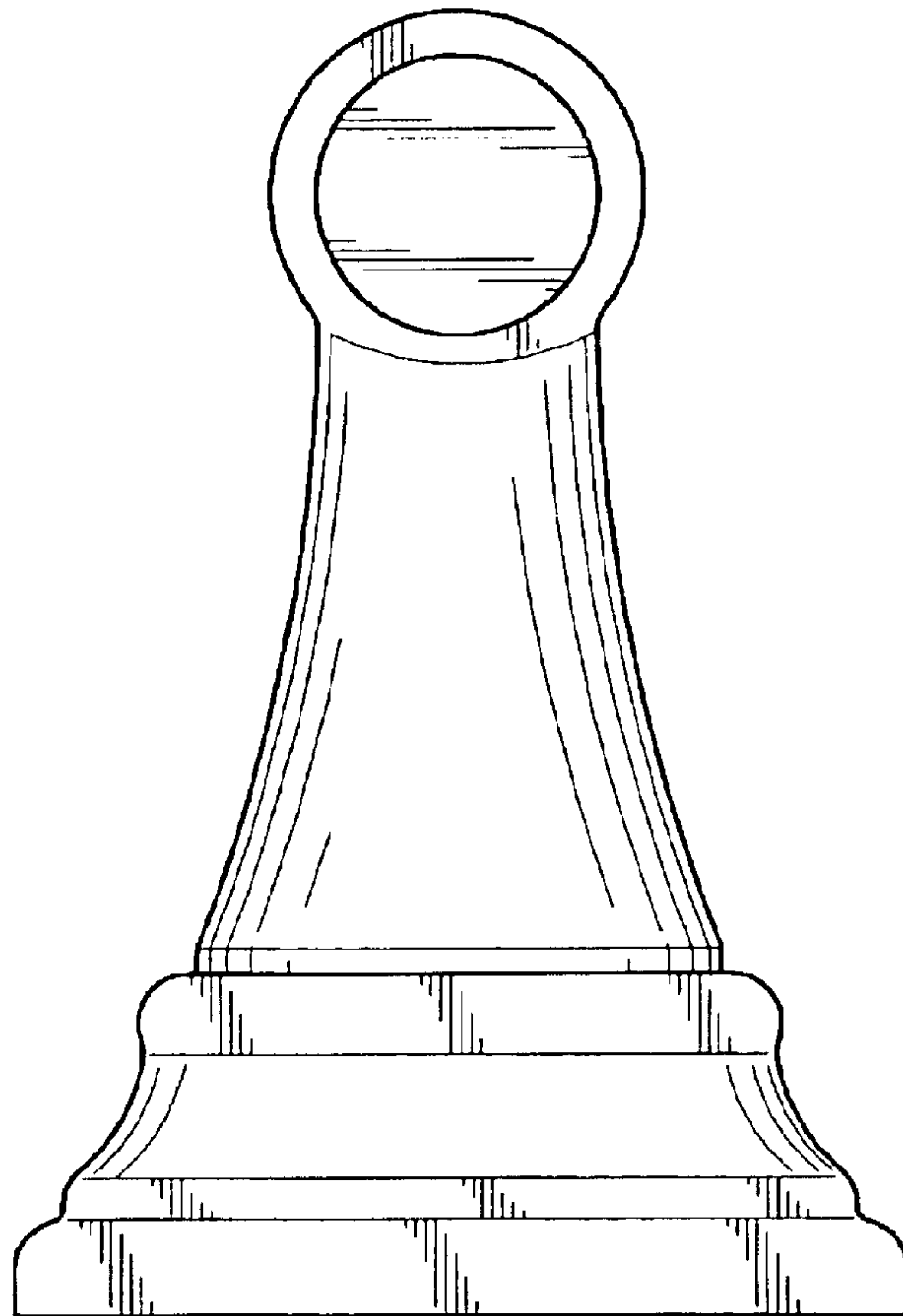
**FIG - 1**



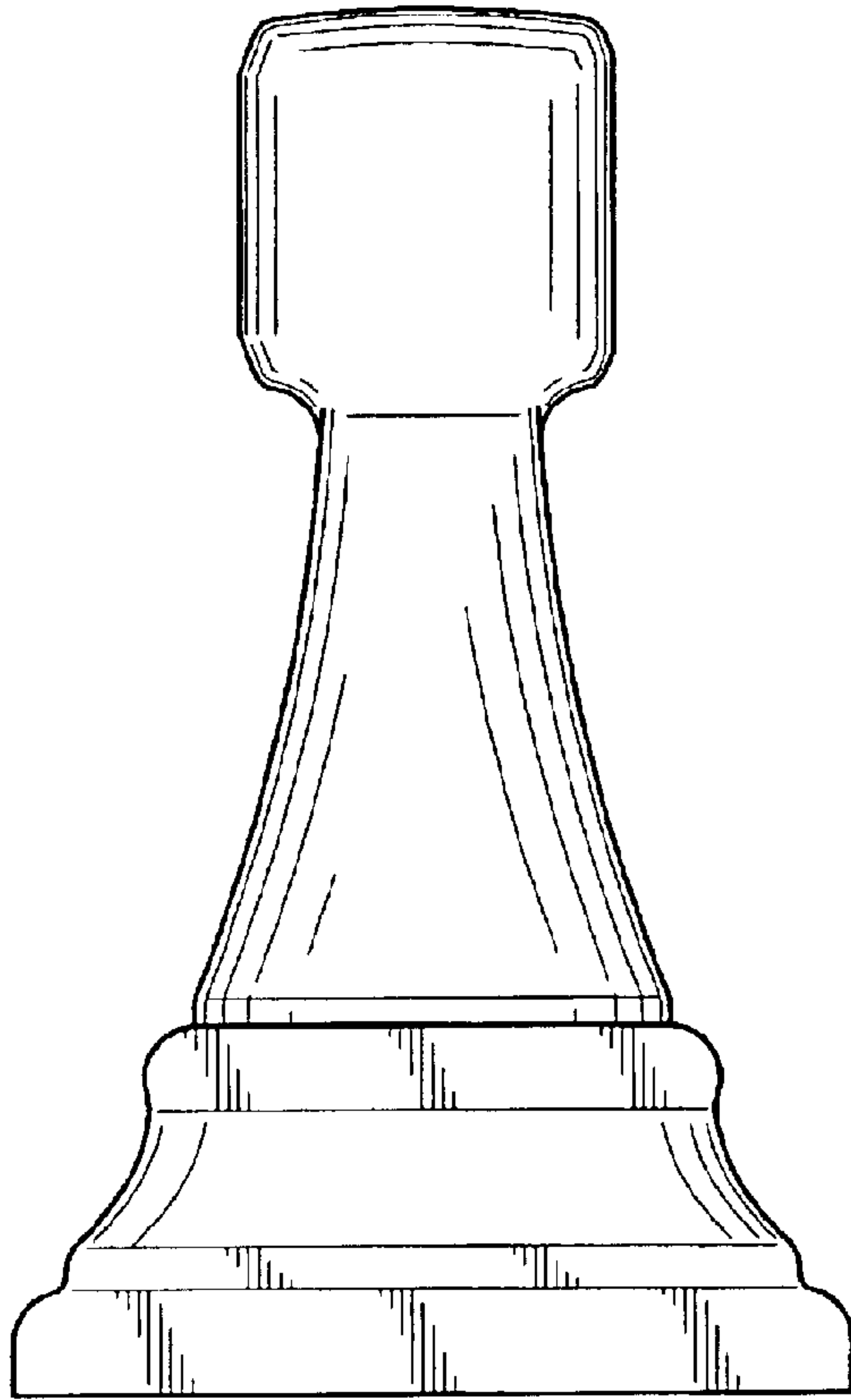
**FIG - 2**



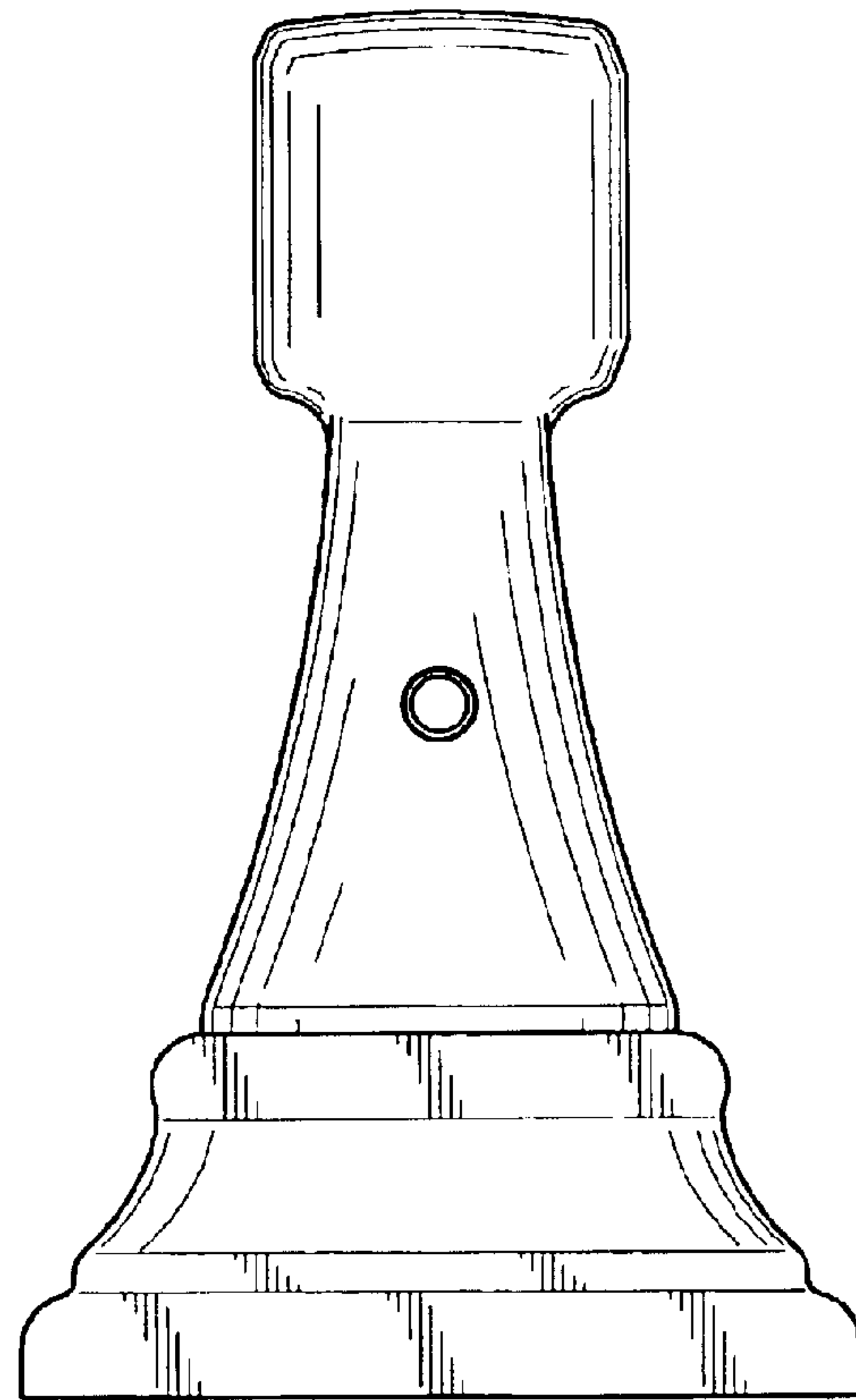
**FIG - 3**



**FIG - 4**



**FIG - 5**



**FIG - 6**