

US00D493989S1

(12) **United States Design Patent** (10) **Patent No.:** **US D493,989 S**  
**Farber et al.** (45) **Date of Patent:** **\*\* Aug. 10, 2004**

(54) **TABLE TOP**  
(75) Inventors: **Robert Farber, Montreal (CA); Jason C. Farber, Montreal (CA)**  
(73) Assignee: **GSC Technology Corporation (CA)**  
(\*\*) Term: **14 Years**  
(21) Appl. No.: **29/181,431**

2,673,773 A 3/1954 Dusenbury  
2,678,858 A 5/1954 Davis  
2,683,944 A 7/1954 Kiel  
2,733,971 A 2/1956 House  
2,802,578 A 8/1957 Barile  
2,977,169 A 3/1961 Geller  
3,025,119 A 3/1962 Lucier  
3,185,113 A 5/1965 Nathan et al.  
3,199,472 A 8/1965 Stelniceanu  
3,298,328 A 1/1967 Hoodis  
3,393,649 A 7/1968 Miotke

(22) Filed: **May 9, 2003**

(List continued on next page.)

(51) **LOC (7) Cl.** ..... **06-06**  
(52) **U.S. Cl.** ..... **D6/511**  
(58) **Field of Search** ..... 108/115, 117,  
108/118, 120, 150, 153.1, 155, 156, 157.1,  
157.15, 159.12, 161; 312/140.3, 140.2;  
D6/480-489, 511, 422

**FOREIGN PATENT DOCUMENTS**

DE 33 39 903 A1 5/1985  
EP 0 153 045 A2 1/1985  
EP 0 193 201 A1 3/1986  
GB 2 215 191 A 9/1989

(56) **References Cited**

**U.S. PATENT DOCUMENTS**

152,691 A 6/1874 Samson  
166,874 A 8/1875 Hood  
200,057 A 2/1878 Hart  
291,525 A 1/1884 Long  
292,084 A 1/1884 Witt  
313,632 A 3/1885 Stowell  
349,627 A 9/1886 Blackmer  
366,069 A 7/1887 Blackmer  
981,114 A 1/1911 Ridgely  
1,053,357 A 2/1913 Carter  
1,062,434 A 5/1913 Brooks  
1,190,984 A 7/1916 Clark  
1,278,797 A 9/1918 Broyles  
1,391,755 A 9/1921 Boysen  
1,593,835 A 7/1926 McNeal et al.  
1,942,190 A 1/1934 Smullin  
2,106,309 A 1/1938 Sweeney  
D145,965 S 11/1946 Baker  
2,432,192 A 12/1947 Guadette  
D149,619 S 5/1948 Dahm  
2,472,722 A 6/1949 Newstead  
2,582,791 A 1/1952 Page  
2,609,627 A 9/1952 Delf et al.  
2,624,469 A 1/1953 Cadwell

*Primary Examiner*—Janice Seeger  
(74) *Attorney, Agent, or Firm*—Cook,Alex,McFarron,  
Manzo,Cummings & Mehler, Ltd.

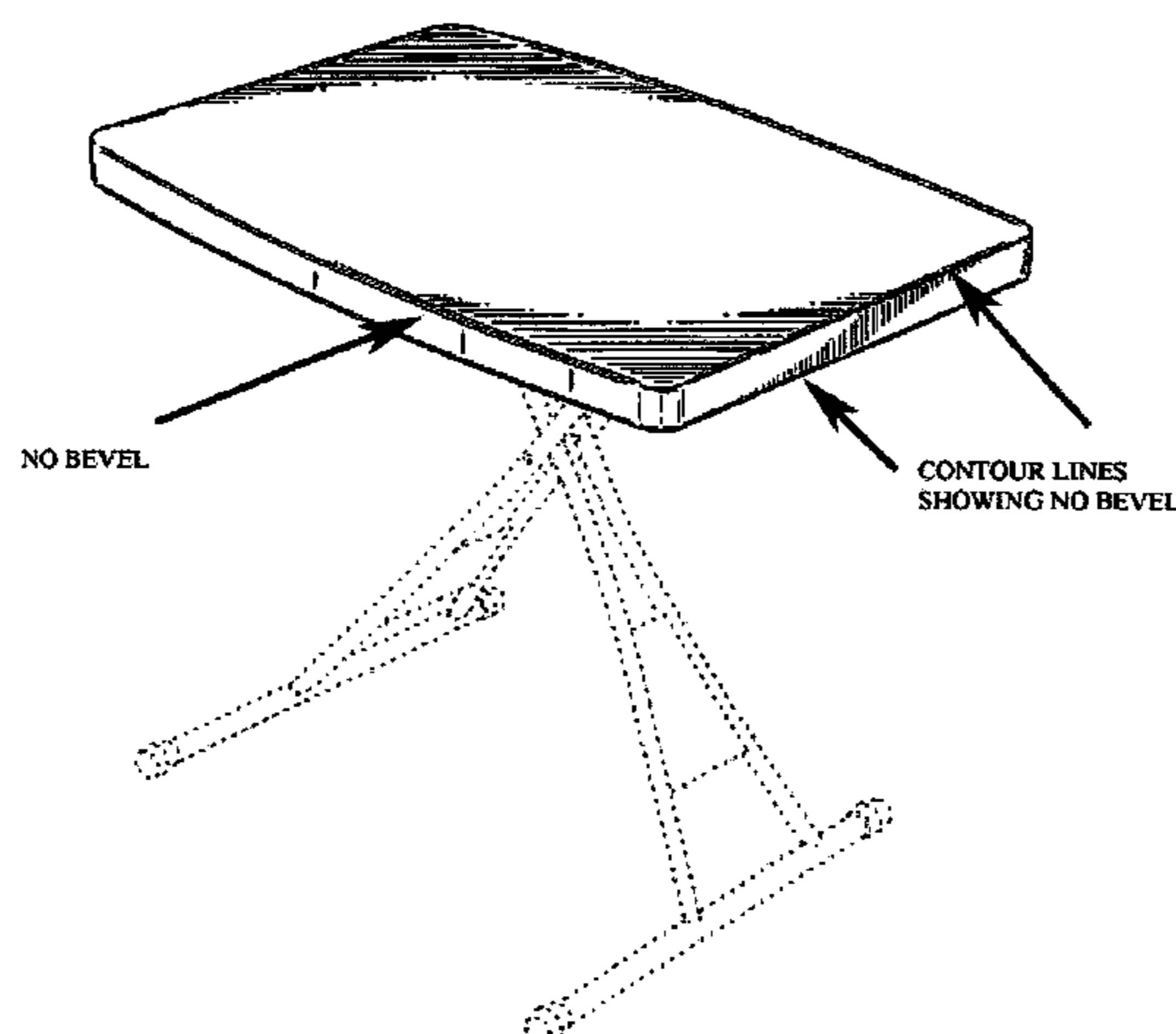
(57) **CLAIM**

The ornamental design for a table top, as shown and described.

**DESCRIPTION**

FIG. 1 is a front perspective view of our new design for a table top;  
FIG. 2 is a rear perspective view of our new design for a table top;  
FIG. 3 is a top view of the table top shown in FIG. 1;  
FIG. 4 is a bottom view of the table top shown in FIG. 1;  
FIG. 5 is a rear view of the table top shown in FIG. 1;  
FIG. 6 is a front view of the table top shown in FIG. 1;  
FIG. 7 is a right side view of the table top shown in FIG. 1;  
FIG. 8 is a left side view of the table top shown in FIG. 1;  
and,  
FIG. 9 is another perspective view of the bottom of the table top shown in FIG. 4;  
The broken lines in the drawings are for illustrative purposes only and form no part of the invention.

**1 Claim, 5 Drawing Sheets**



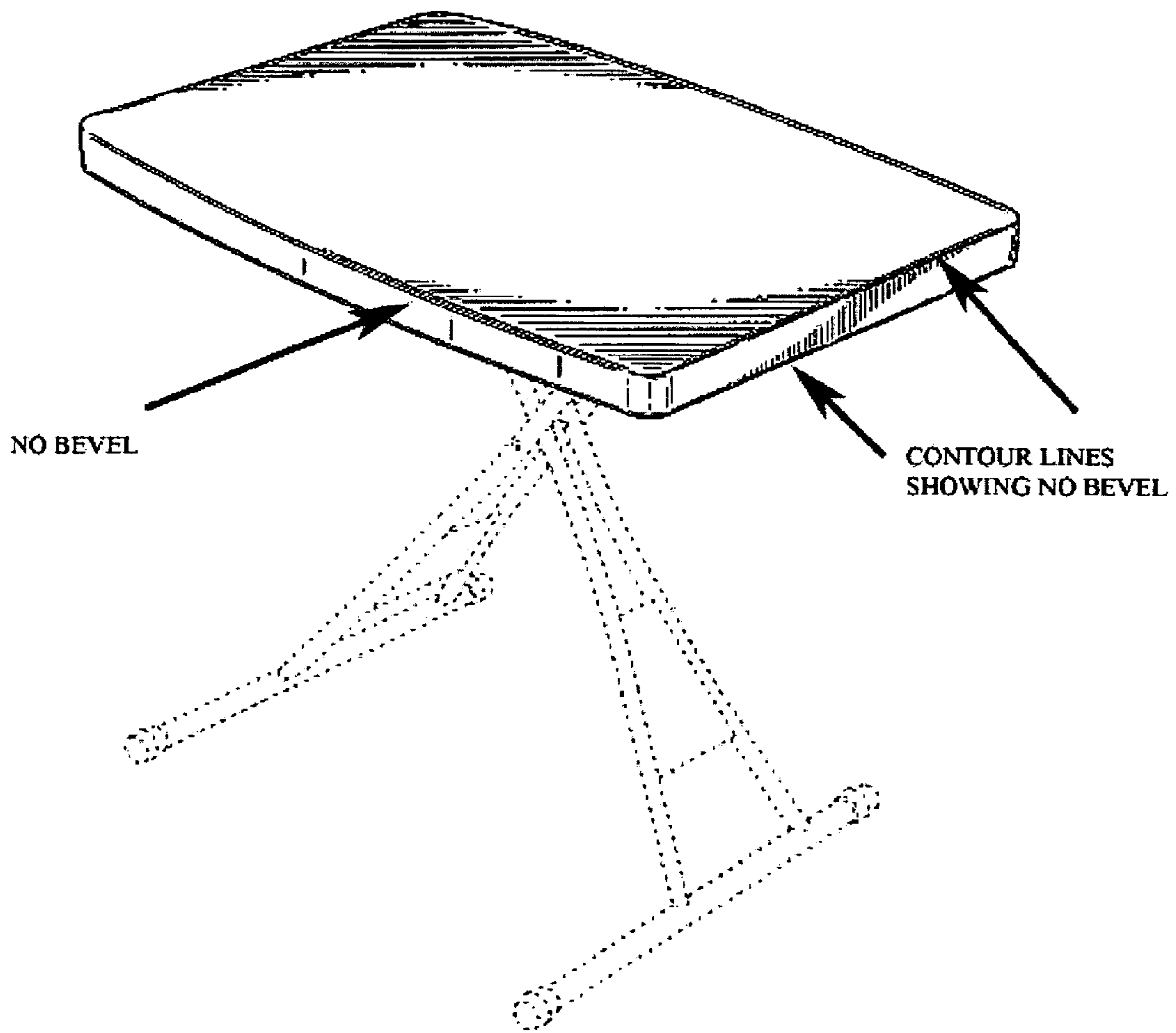
# US D493,989 S

Page 2

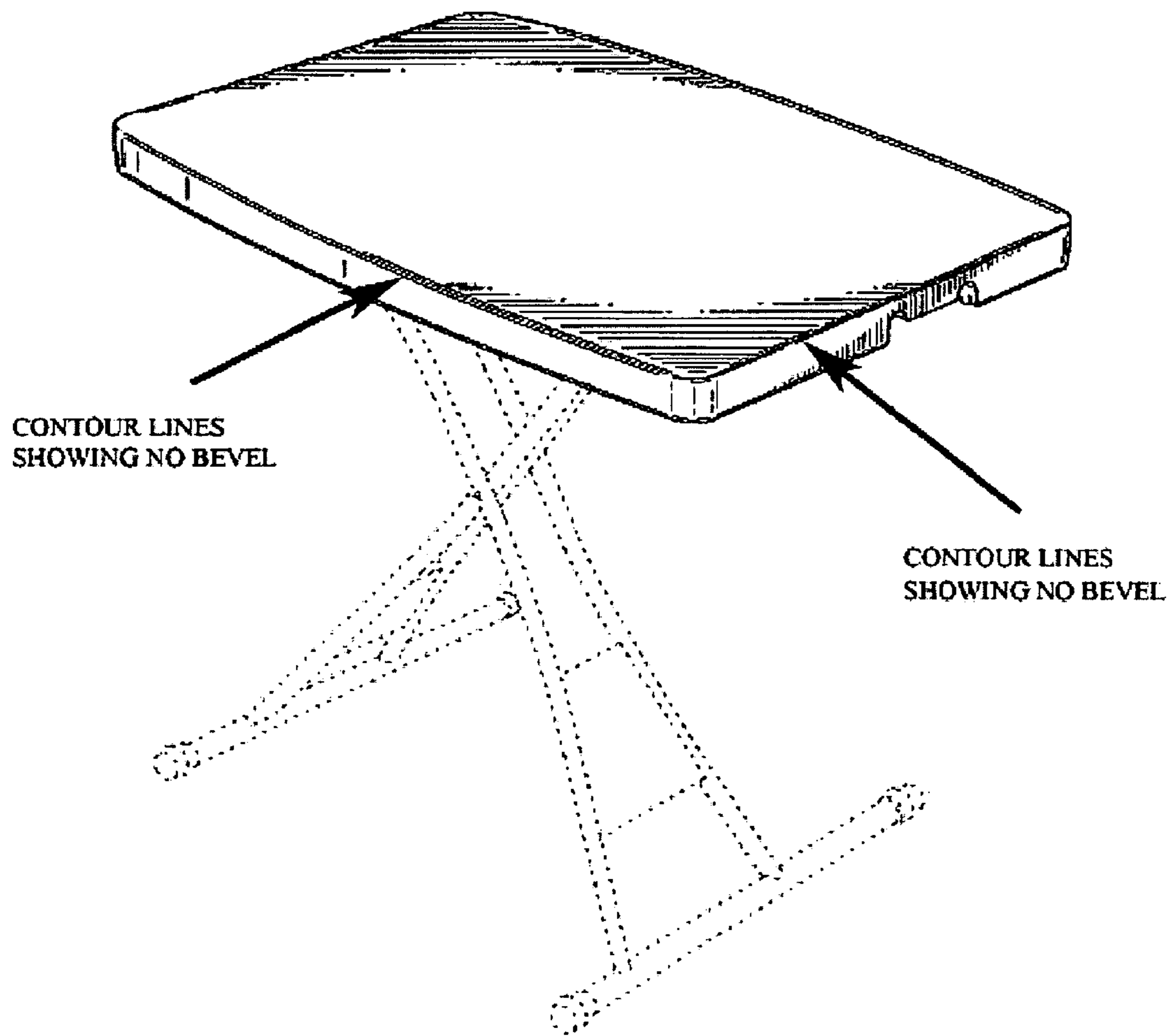
## U.S. PATENT DOCUMENTS

3,401,653 A	9/1968	Knoblock	D391,788 S	3/1998	Hutton
3,491,705 A	1/1970	Blanke	D392,812 S	3/1998	Hicks
D219,080 S	10/1970	Zellner	5,732,637 A	3/1998	Raab
3,680,942 A	8/1972	Davis	D399,684 S	10/1998	Glass
D226,603 S	4/1973	Knighten	5,823,121 A	10/1998	Reiter
3,738,286 A	6/1973	Hoffman	D402,830 S	12/1998	Chalmers
3,742,871 A	7/1973	Kienel	D403,182 S	12/1998	Fu
D229,999 S	1/1974	Blazey	D403,183 S	12/1998	Lewis
D230,232 S	2/1974	Howard	5,868,081 A	2/1999	Raab
3,967,562 A	7/1976	Anacker	5,947,037 A	9/1999	Hornberger et al.
D243,376 S	2/1977	Scott	D416,148 S	11/1999	Pagnon et al.
D243,983 S	4/1977	Carter	6,058,854 A	5/2000	Tarnay et al.
4,122,780 A	10/1978	Brickman	6,089,667 A	7/2000	Hobbs
D252,431 S	7/1979	Pfister	6,112,674 A	9/2000	Stanford
D252,659 S	8/1979	Brickman	D438,033 S	2/2001	Schultz
4,168,669 A	9/1979	Arnoff	D440,080 S	4/2001	Suzuki
D256,532 S	8/1980	Aulenti	D443,442 S	6/2001	Hutton
4,311,099 A	1/1982	Roberts	6,247,772 B1	6/2001	Tuttle et al.
D266,218 S	9/1982	Hodson	D444,650 S	7/2001	Jeup
D273,448 S	4/1984	Colquhoun	D449,184 S	10/2001	Cain
D288,513 S	3/1987	Shelly	D455,918 S *	4/2002	Moore ..... D6/487
D294,318 S	2/1988	Zapf	6,371,034 B1	4/2002	Simpson et al.
4,850,282 A	7/1989	Postic	6,431,092 B1	8/2002	Stanford
4,951,576 A	8/1990	Cobos et al.	D463,687 S	10/2002	Goodworth
D315,073 S	3/1991	Goetz	D468,135 S	1/2003	Ashby et al.
D327,592 S	7/1992	Kerem	6,508,184 B1	1/2003	Winter et al.
5,271,338 A	12/1993	Bonham	D469,994 S	2/2003	Smith
5,353,715 A	10/1994	Luyk	D469,996 S	2/2003	Ashby
D355,091 S *	2/1995	Green et al. .... D6/511	D470,352 S	2/2003	Strong
D358,954 S *	6/1995	Leduc ..... D6/480	6,530,331 B2	3/2003	Stanford
5,443,020 A	8/1995	Price	6,550,404 B2	4/2003	Stanford
5,445,085 A	8/1995	Westerburgen	6,550,728 B1	4/2003	Fuhrman
5,644,994 A	7/1997	Liang et al.	6,615,743 B2	9/2003	Nien
5,678,491 A	10/1997	Price et al.	6,622,644 B2	9/2003	Buono
5,694,865 A	12/1997	Raab	D481,559 S	11/2003	Weaver

\* cited by examiner



*Fig. 1*



*Fig. 2*

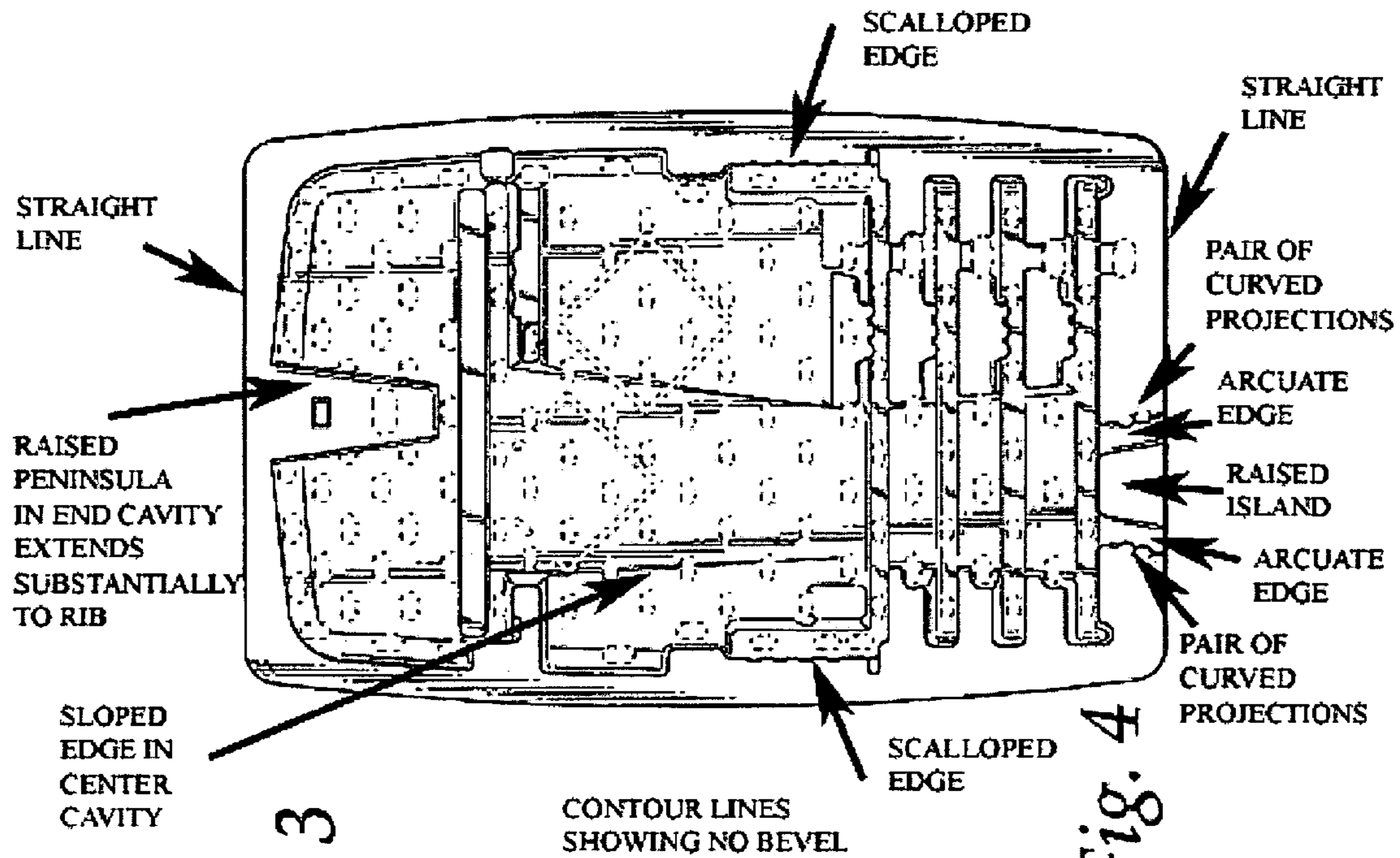
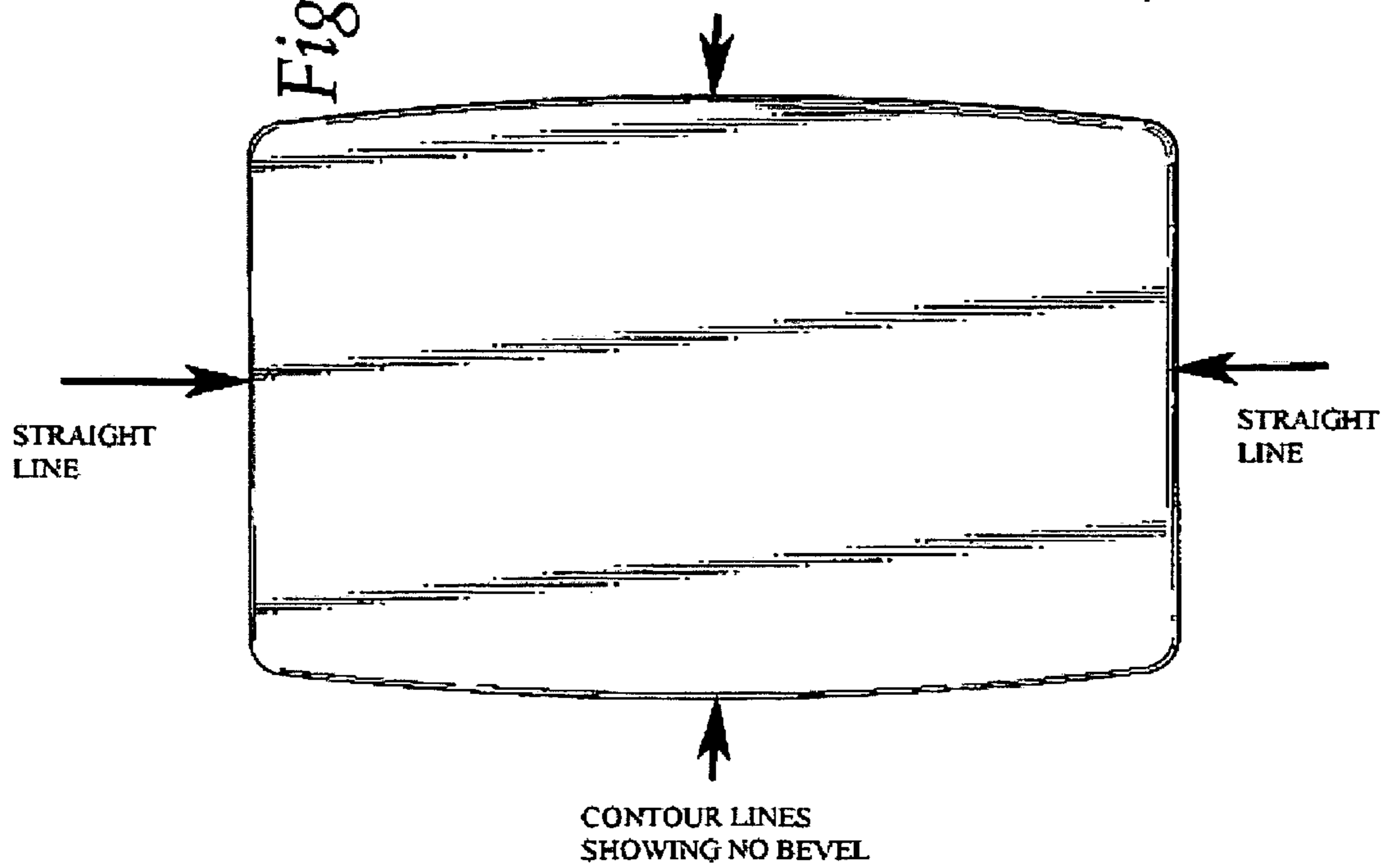
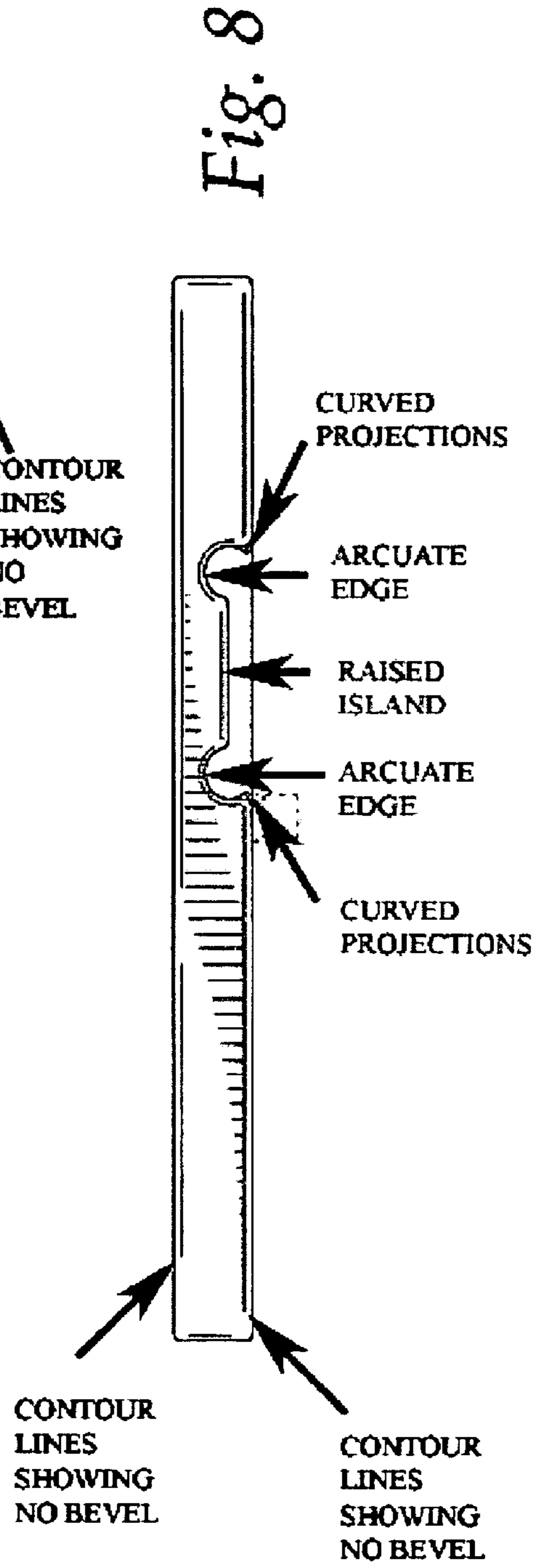
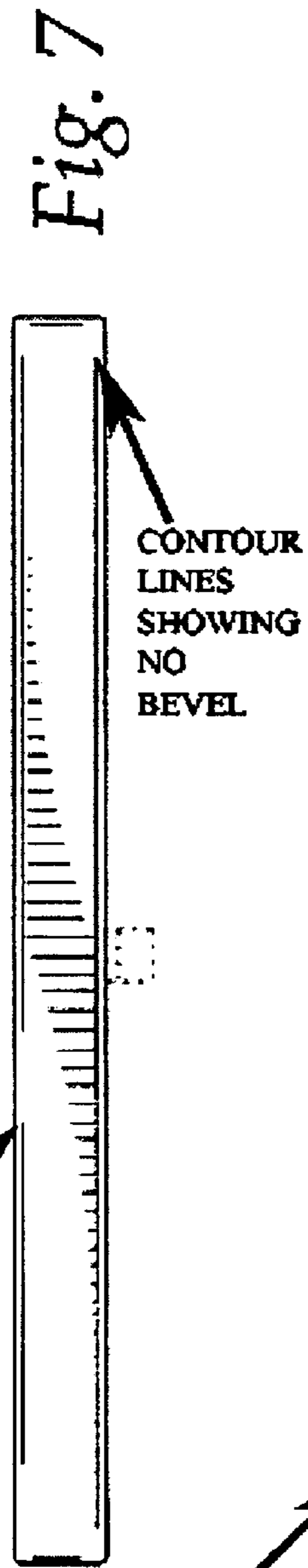
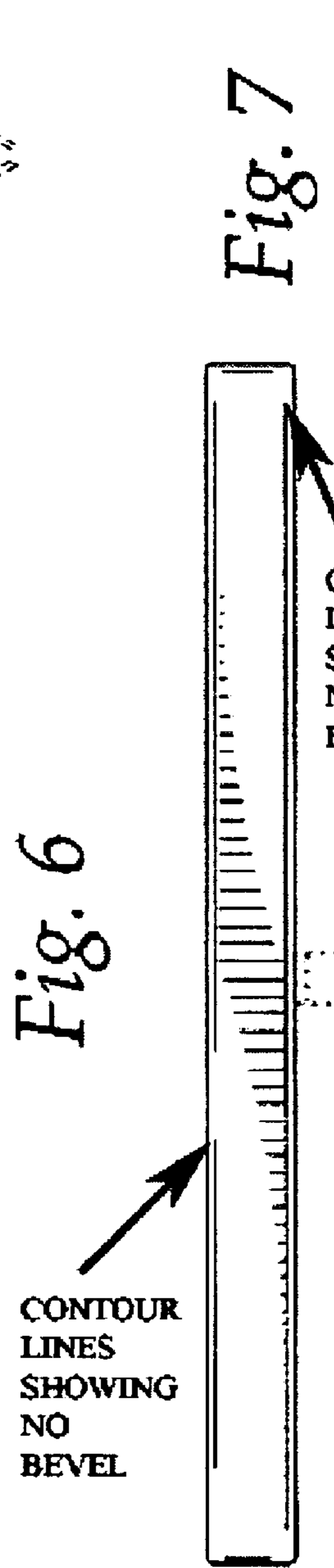
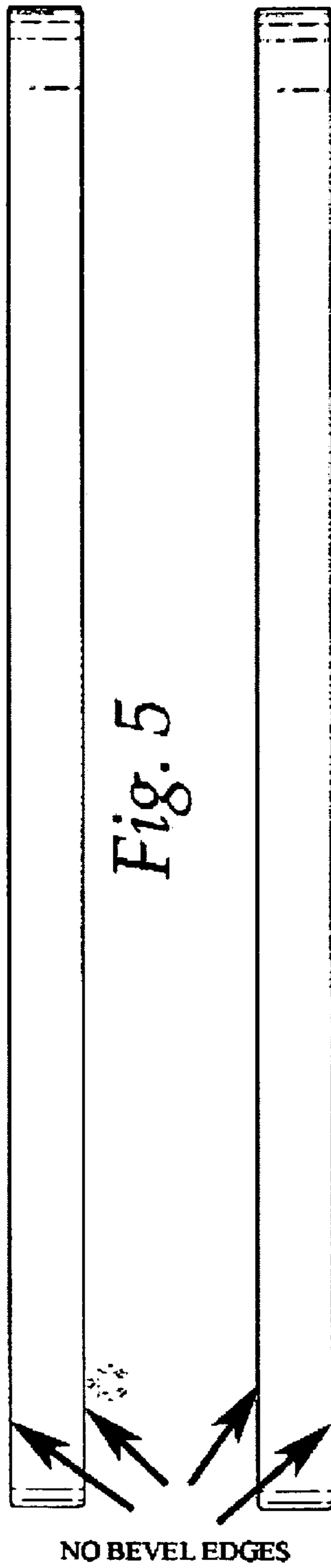
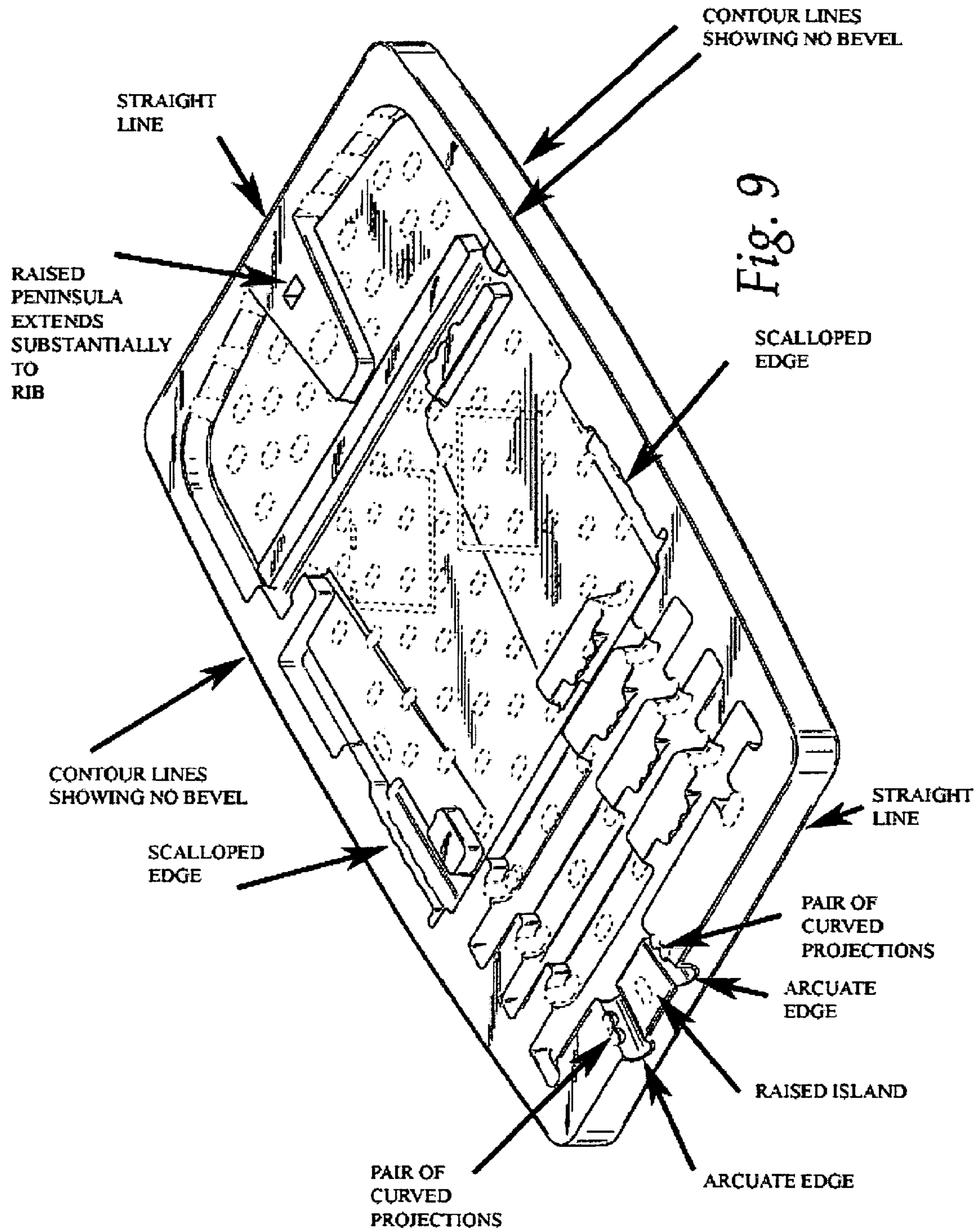


Fig. 3

Fig. 4







UNITED STATES PATENT AND TRADEMARK OFFICE  
**CERTIFICATE OF CORRECTION**

PATENT NO. : Des. 493,989 S  
APPLICATION NO. : 29/181431  
DATED : August 10, 2004  
INVENTOR(S) : Farber et al.

Page 1 of 7

It is certified that error appears in the above-identified patent and that said Letters Patent is hereby corrected as shown below:

The title page showing the illustrative figure should be deleted and substitute with the attached title page.

The drawing sheet, consisting of Fig. 1 – 9, should be deleted and replaced with drawing sheet, consisting of Fig. 1 – 9, as shown on the attached page.

Signed and Sealed this

Fourth Day of December, 2007

A handwritten signature in black ink on a light gray dotted background. The signature reads "Jon W. Dudas" in a cursive style.

JON W. DUDAS

*Director of the United States Patent and Trademark Office*



(12) **United States Design Patent** (10) Patent No.: **US D493,989 S**  
**Farber et al.** (45) Date of Patent: **\*\* Aug. 10, 2004**

(54) **TABLE TOP**  
 (75) Inventors: **Robert Farber, Montreal (CA); Jason C. Farber, Montreal (CA)**  
 (73) Assignee: **GSC Technology Corporation (CA)**  
 (\*\*) Term: **14 Years**  
 (21) Appl. No.: **29/181,431**  
 (22) Filed: **May 9, 2003**  
 (51) **LOC (7) CL** ..... **06-06**  
 (52) **U.S. CL** ..... **D6/511**  
 (58) **Field of Search** ..... **108/115, 117, 108/118, 120, 150, 153.1, 155, 156, 157.1, 157.15, 159.12, 161; 312/140.3, 140.2; D6/480-489, 511, 422**

2,673,773 A 3/1954 Dusenbury  
 2,678,858 A 5/1954 Davis  
 2,683,944 A 7/1954 Klej  
 2,733,971 A 2/1956 House  
 2,802,578 A 8/1957 Barile  
 2,977,159 A 3/1961 Geller  
 3,025,119 A 3/1962 Lusler  
 3,185,113 A 5/1965 Nathan et al.  
 3,199,472 A 8/1965 Steinhilber  
 3,298,328 A 1/1967 Hoodis  
 3,393,649 A 7/1968 Miotke

(List continued on next page.)

**FOREIGN PATENT DOCUMENTS**

DE 53 39 903 A1 5/1985  
 EP 0 153 045 A2 1/1985  
 EP 0 193 201 A1 3/1986  
 GB 2 215 191 A 9/1989

*Primary Examiner*—Janice Seeger  
 (74) *Attorney, Agent, or Firm*—Cook, Alex, McFarron, Manzo, Cummings & Mahler, Ltd.

(56) **References Cited**

**U.S. PATENT DOCUMENTS**

192,691 A 6/1874 Samson  
 166,574 A 8/1875 Hood  
 200,057 A 2/1878 Hart  
 291,525 A 1/1884 Long  
 292,084 A 1/1884 Witt  
 313,632 A 3/1885 Stowell  
 349,527 A 9/1886 Blackmer  
 366,069 A 7/1887 Blackmer  
 981,114 A 1/1911 Ridgely  
 1,053,357 A 2/1913 Carter  
 1,062,434 A 5/1913 Brooks  
 1,190,984 A 7/1916 Clark  
 1,278,797 A 9/1918 Bayles  
 1,391,755 A 9/1921 Hoyson  
 1,593,835 A 7/1926 McNeal et al.  
 1,942,190 A 1/1934 Smollin  
 2,106,309 A 1/1938 Sweeney  
 D145,965 S 11/1946 Baker  
 2,432,192 A 12/1947 Guadalupe  
 D149,619 S 5/1948 Dahm  
 2,472,722 A 6/1949 Newstead  
 2,562,791 A 1/1952 Page  
 2,609,627 A 9/1952 Delf et al.  
 2,624,469 A 1/1953 Cadwell

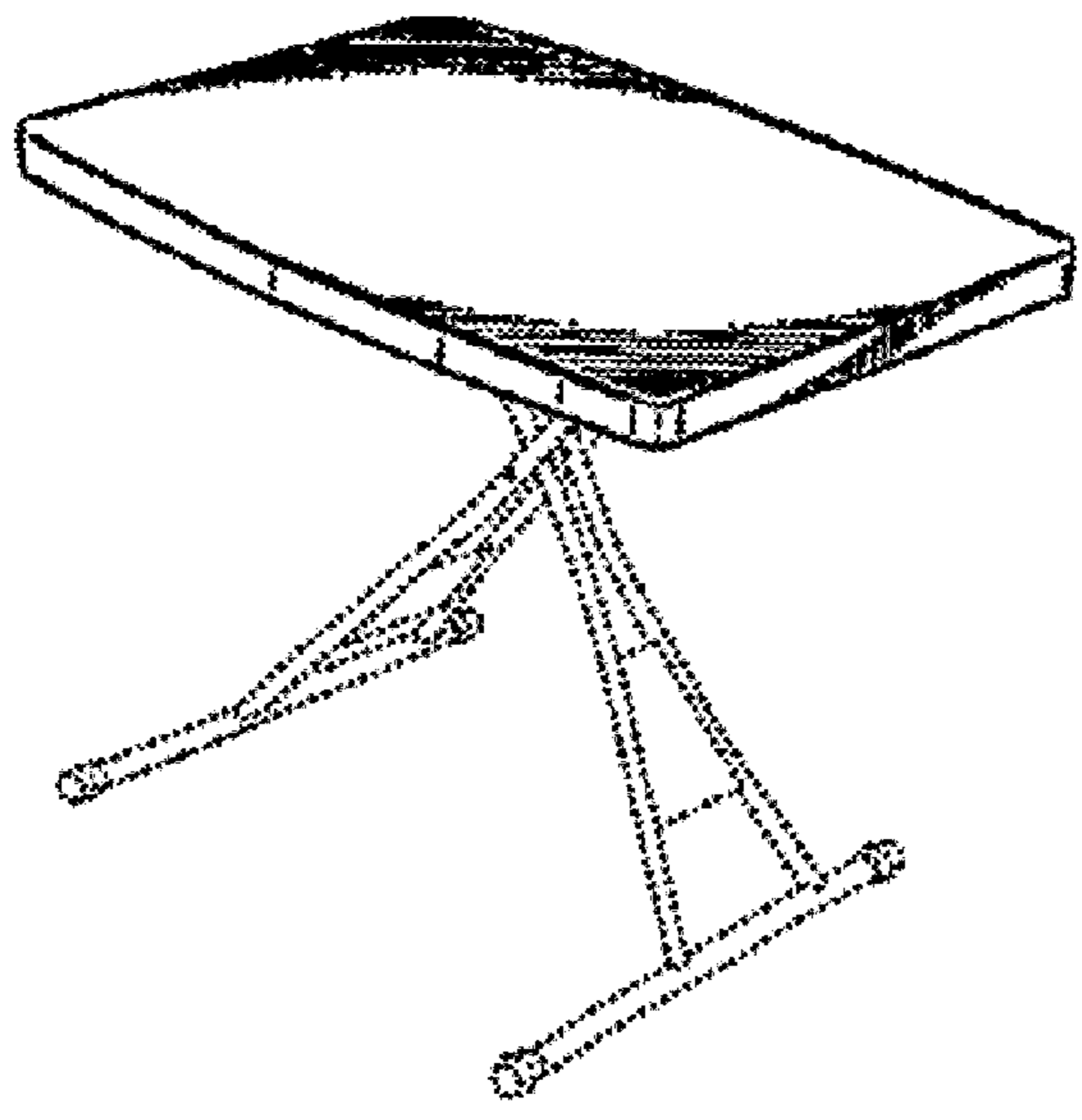
(57) **CLAIM**

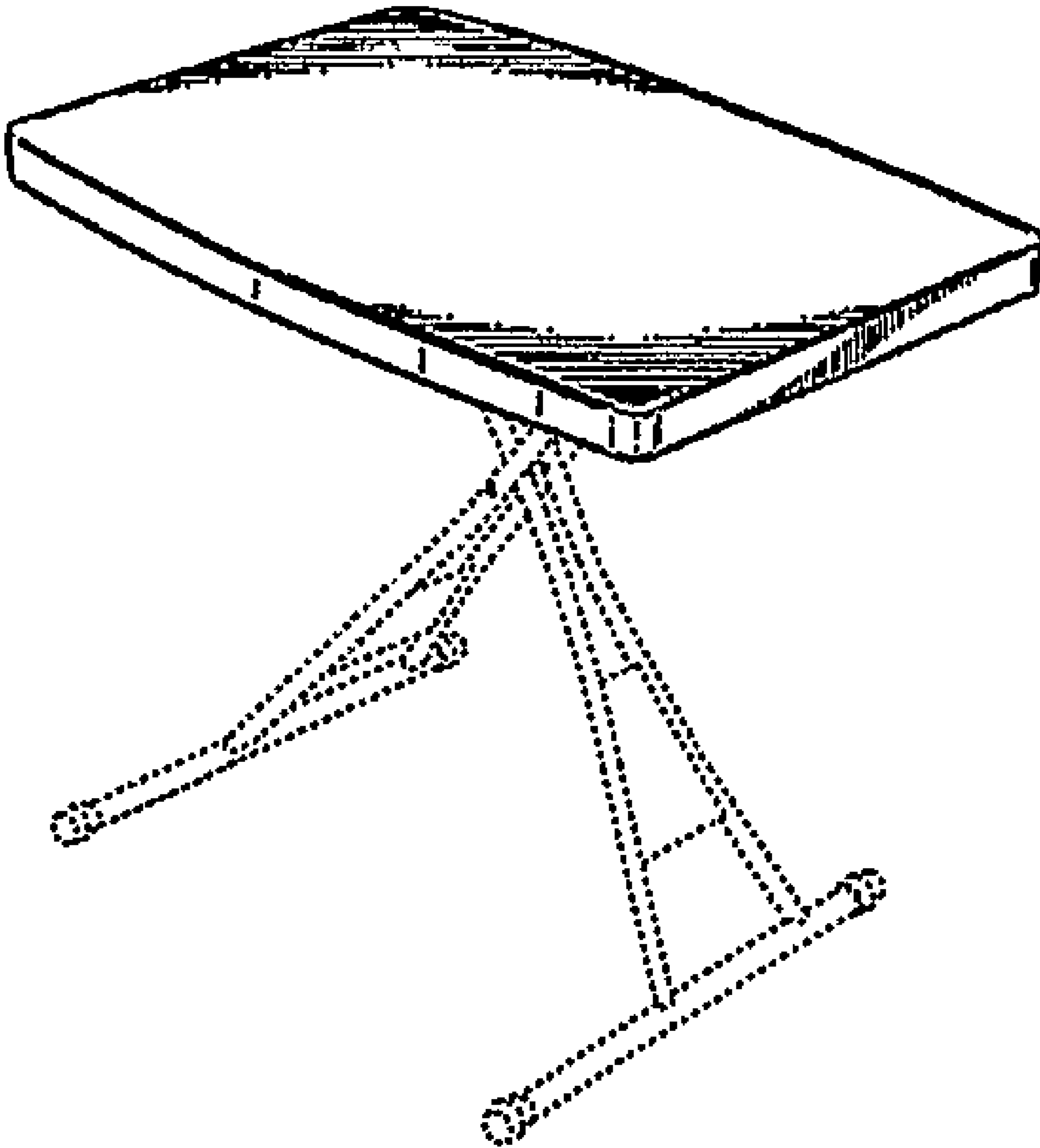
The ornamental design for a table top, as shown and described.

**DESCRIPTION**

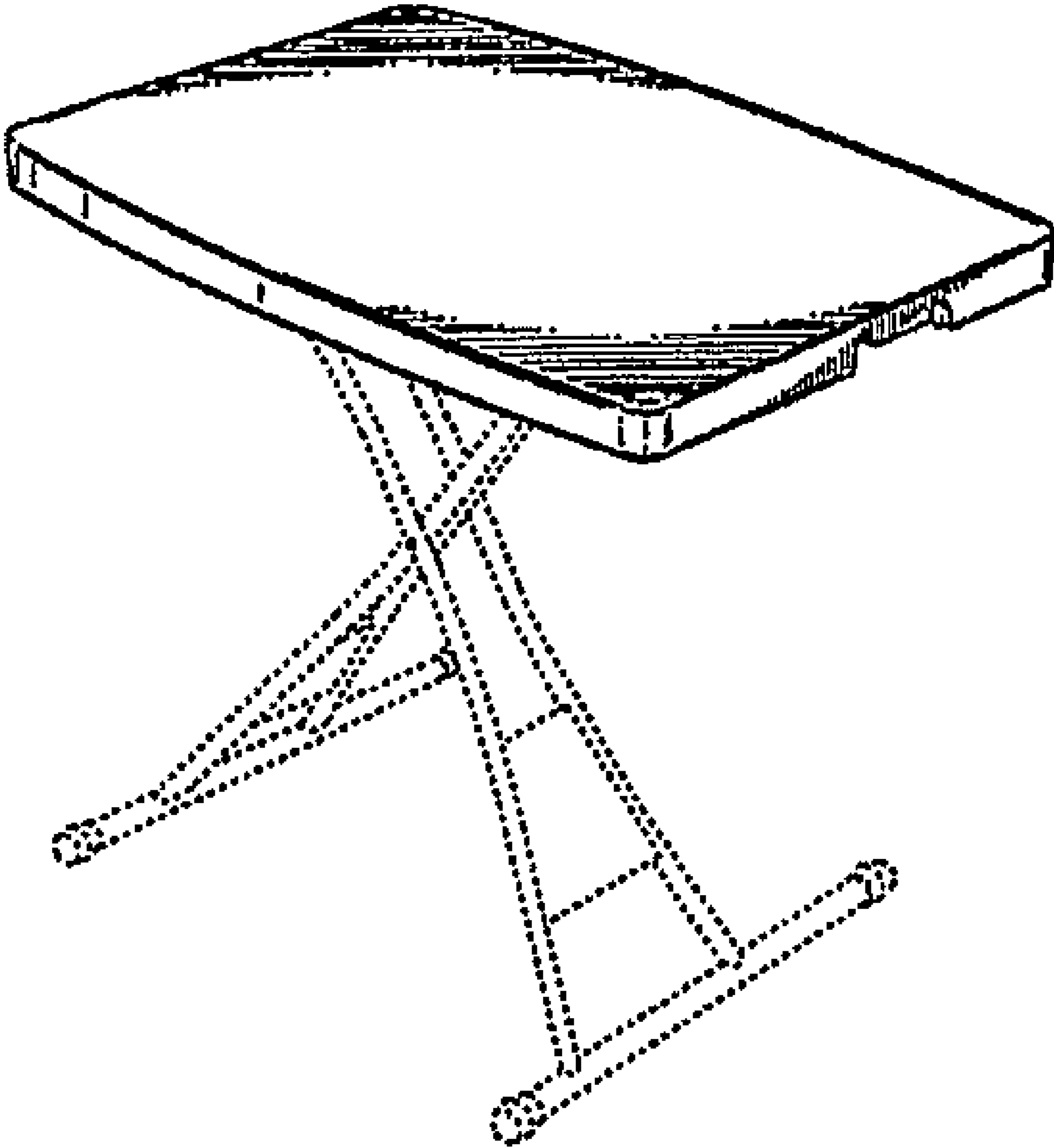
FIG. 1 is a front perspective view of our new design for a table top;  
 FIG. 2 is a rear perspective view of our new design for a table top;  
 FIG. 3 is a top view of the table top shown in FIG. 1;  
 FIG. 4 is a bottom view of the table top shown in FIG. 1;  
 FIG. 5 is a rear view of the table top shown in FIG. 1;  
 FIG. 6 is a front view of the table top shown in FIG. 1;  
 FIG. 7 is a right side view of the table top shown in FIG. 1;  
 FIG. 8 is a left side view of the table top shown in FIG. 1; and,  
 FIG. 9 is another perspective view of the bottom of the table top shown in FIG. 4;  
 The broken lines in the drawings are for illustrative purposes only and form no part of the invention.

1 Claim, 5 Drawing Sheets





*Fig. 1*



*Fig. 2*

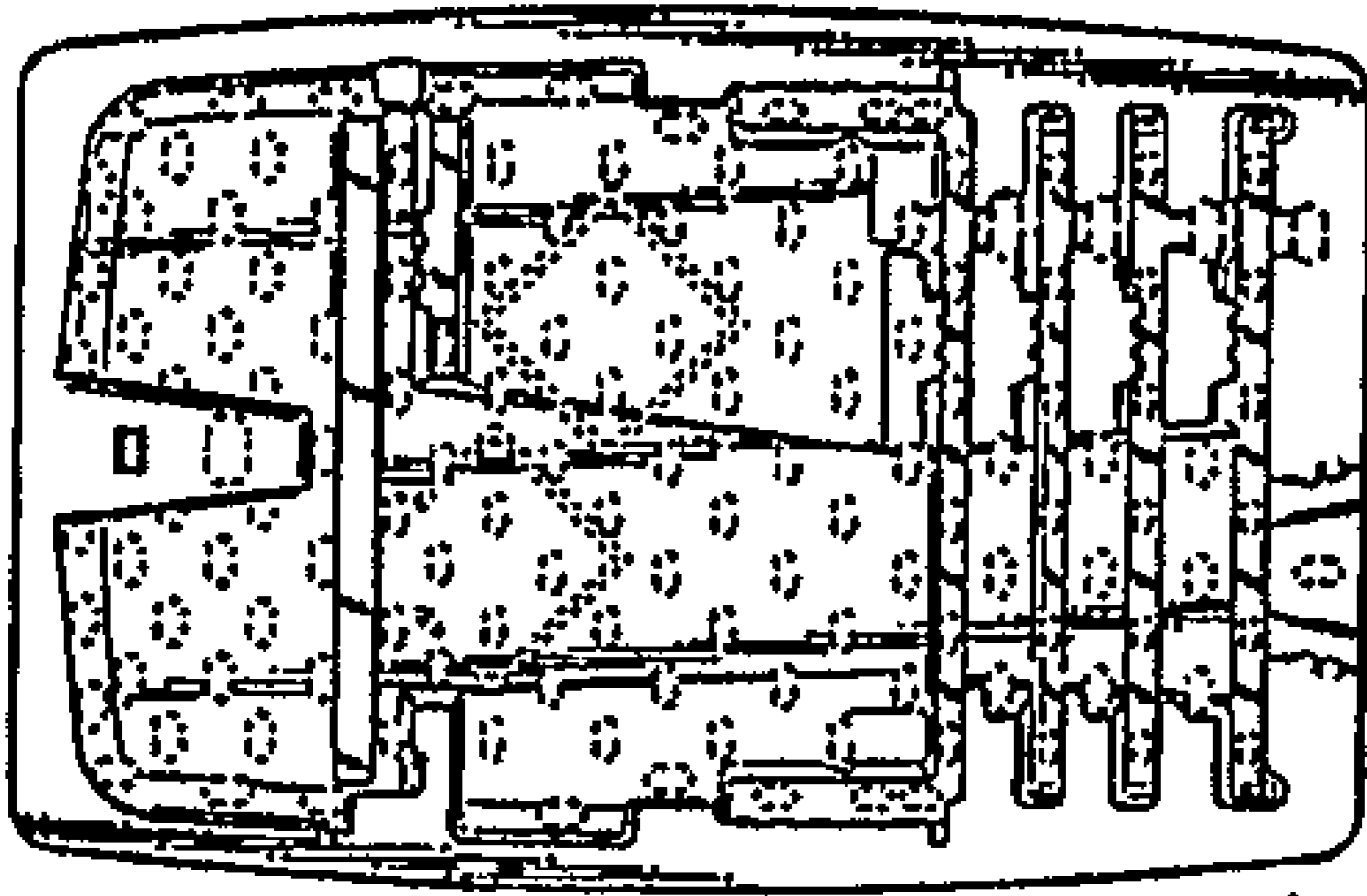


Fig. 3

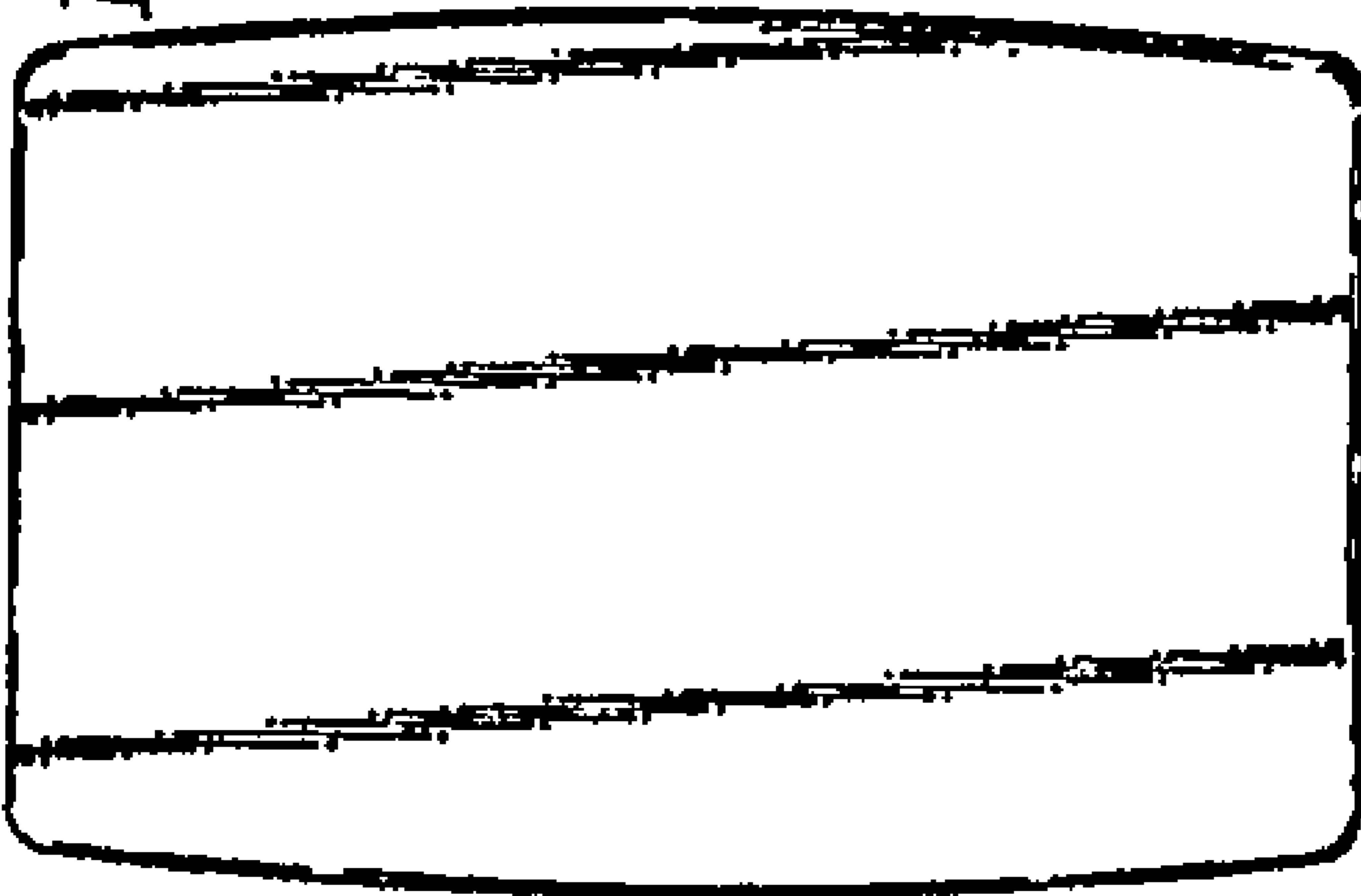


Fig. 4



Fig. 5



Fig. 6



Fig. 7

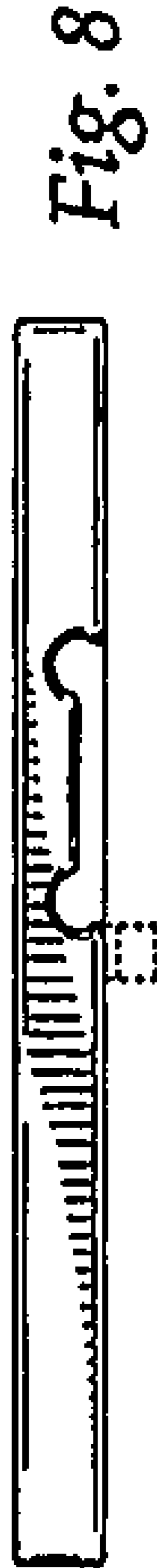


Fig. 8

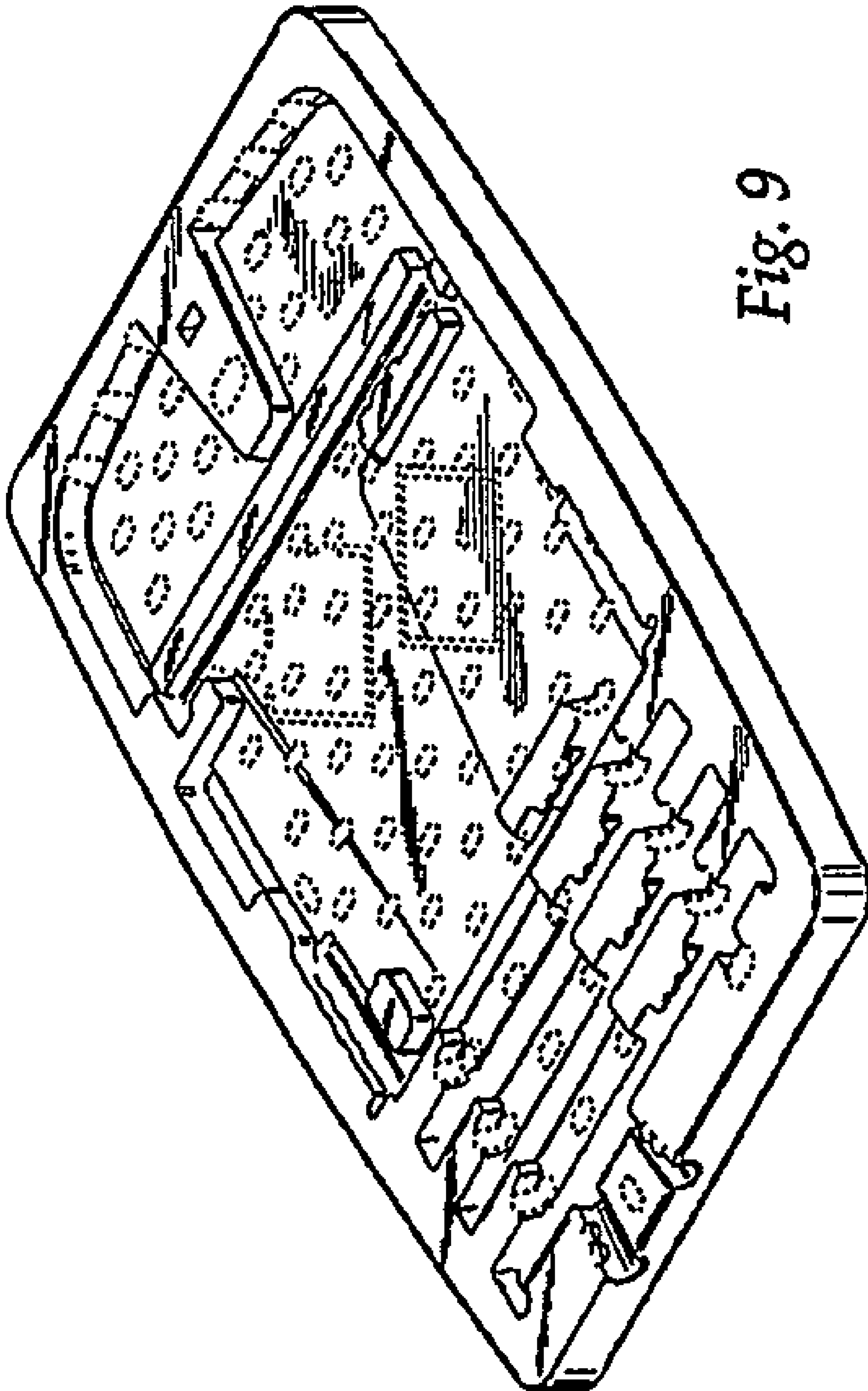


Fig. 9