



US00D493985S1

(12) **United States Design Patent**  
**Chen**

(10) **Patent No.:** **US D493,985 S**

(45) **Date of Patent:** **\*\* Aug. 10, 2004**

(54) **BABY'S BED LEG**

(75) Inventor: **Shun-Min Chen**, Taipei (TW)

(73) Assignee: **Wonderland Nursery Goods Co., Ltd.**,  
Taipei (TW)

(\*\*) Term: **14 Years**

(21) Appl. No.: **29/189,514**

(22) Filed: **Sep. 4, 2003**

(51) **LOC (7) Cl.** ..... **06-06**

(52) **U.S. Cl.** ..... **D6/495; D6/503**

(58) **Field of Search** ..... D6/390, 391, 393,  
D6/333, 331, 385, 389, 503, 495; 5/93.1,  
99.1, 101, 97, 98.1, 100, 310

(56) **References Cited**

**U.S. PATENT DOCUMENTS**

5,483,710	A	*	1/1996	Chan	.....	5/99.1
D382,718	S	*	8/1997	Mariol	.....	D6/331
6,671,902	B2	*	1/2004	Cheng	.....	5/310
2002/0184705	A1	*	12/2002	Cheng	.....	5/99.1
2003/0061657	A1	*	4/2003	Longenecker et al.	.....	5/99.1

\* cited by examiner

*Primary Examiner*—Janice Seeger

(74) *Attorney, Agent, or Firm*—Gray Cary Ware & Freidenrich LLP

(57) **CLAIM**

The ornamental design for baby's bed leg, as shown and described.

**DESCRIPTION**

FIG. 1 is a perspective view of baby's bed leg showing my new design;

FIG. 2 is a front elevational view thereof;

FIG. 3 is a rear elevational view thereof;

FIG. 4 is a left side elevational view thereof;

FIG. 5 is a right side elevational view thereof;

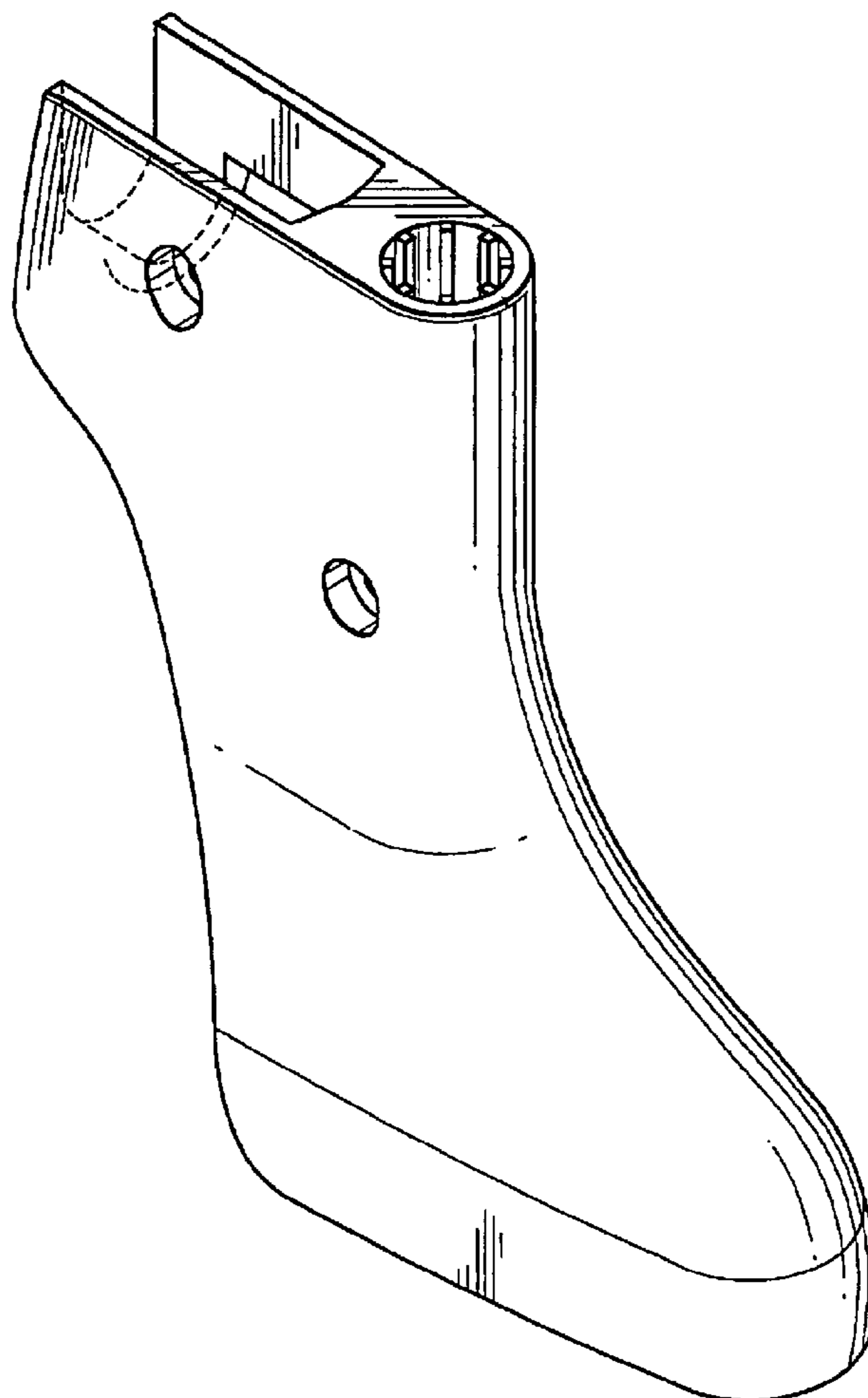
FIG. 6 is a top plan view thereof;

FIG. 7 is a bottom plan view thereof; and,

FIG. 8 is another perspective view in use.

The broken lines are for environmental purposes only and form no part of the claimed design.

**1 Claim, 5 Drawing Sheets**



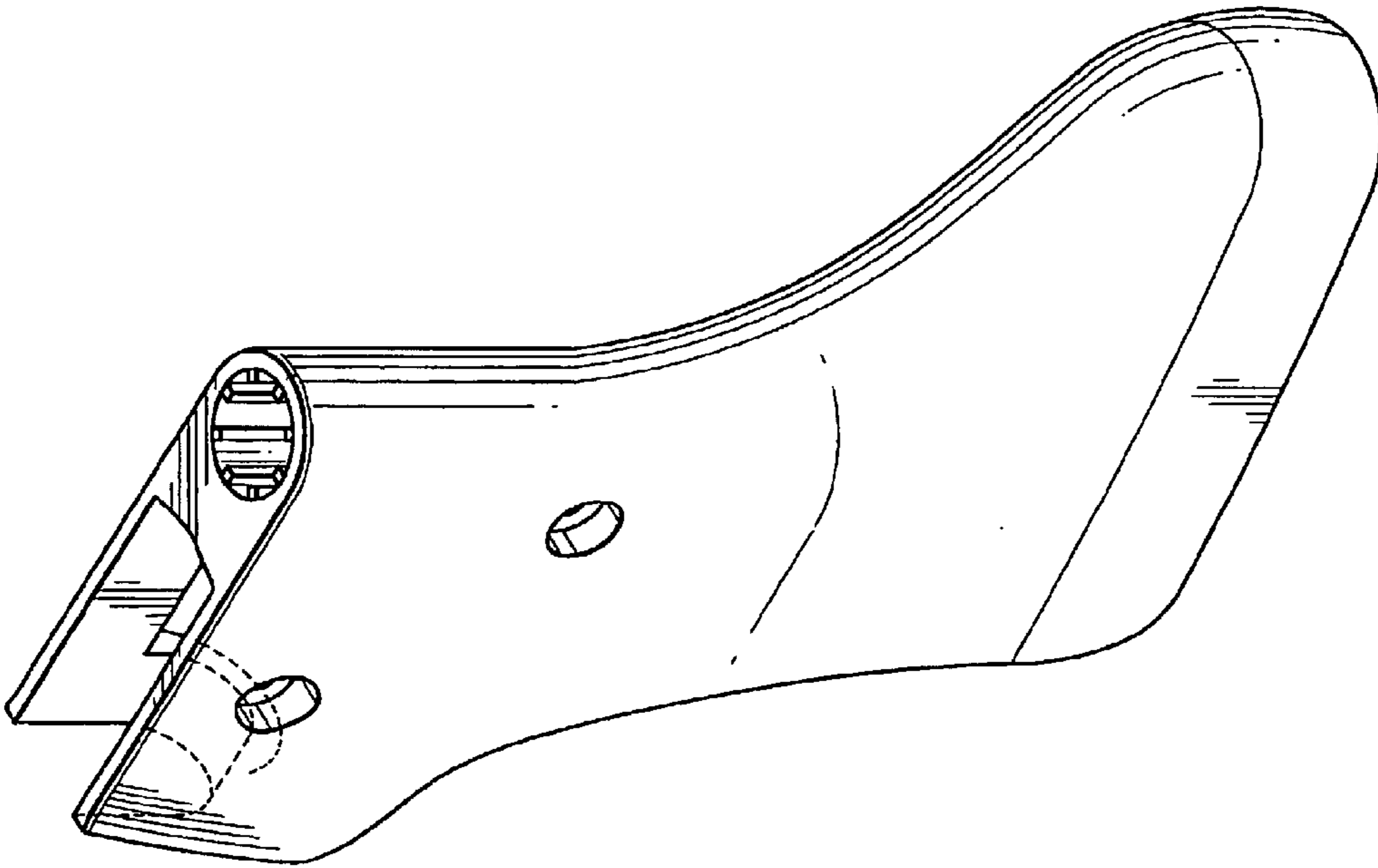


FIG.1

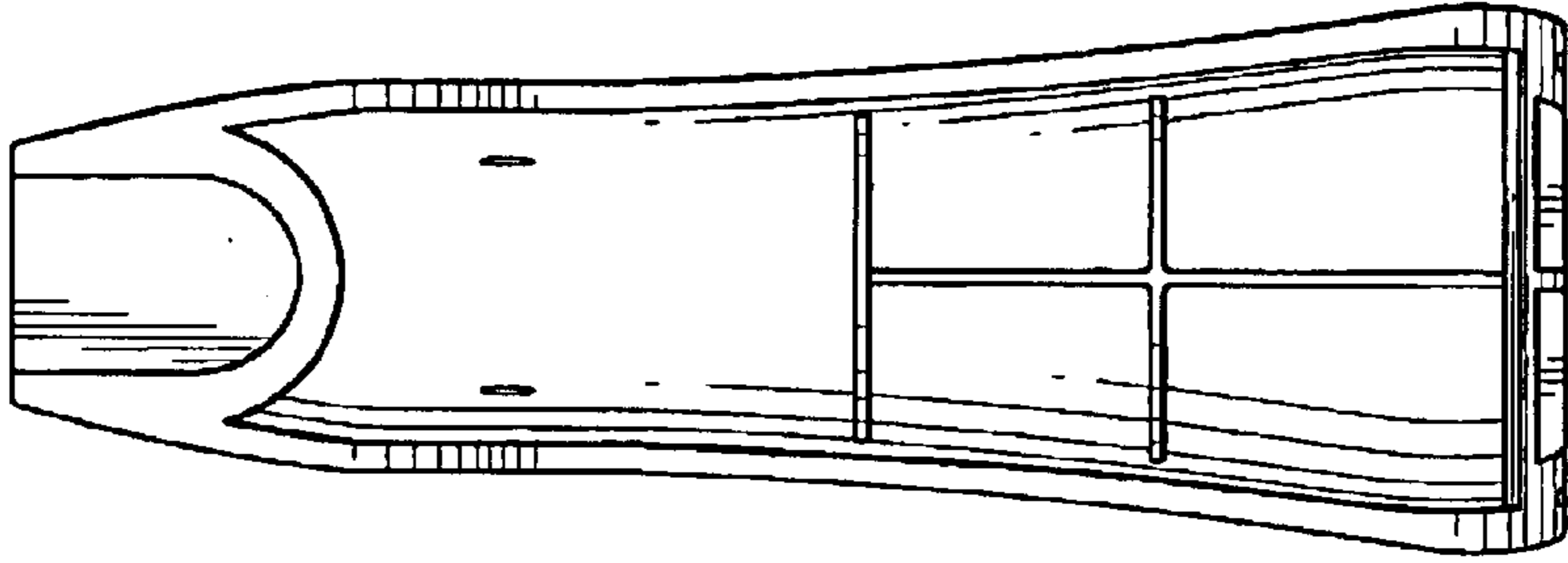


FIG. 3

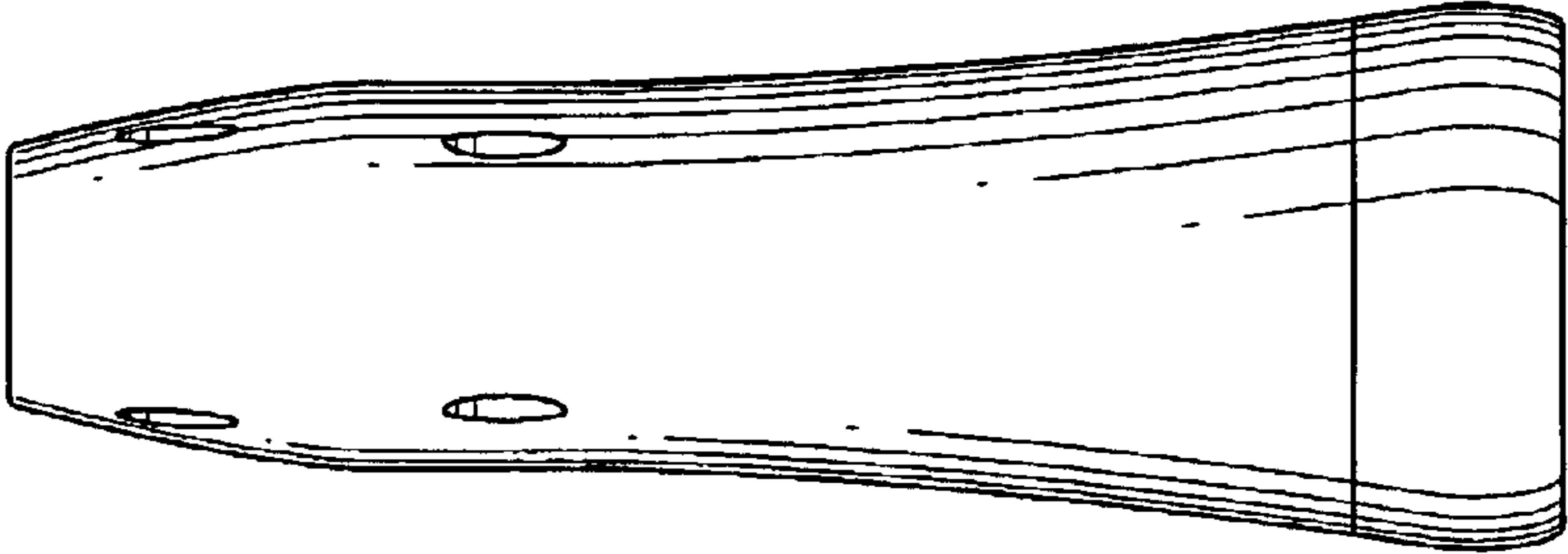


FIG. 2

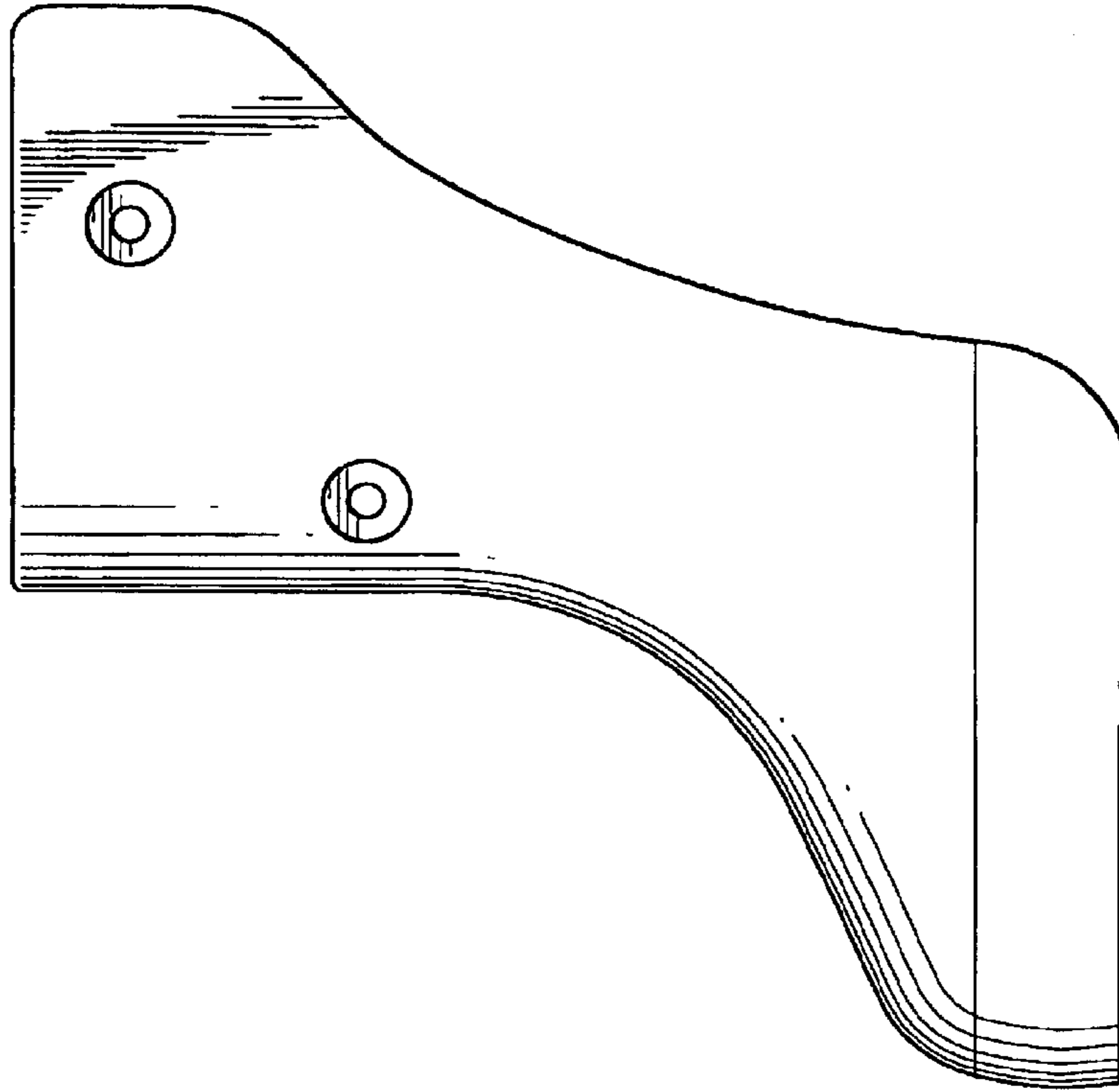


FIG. 5

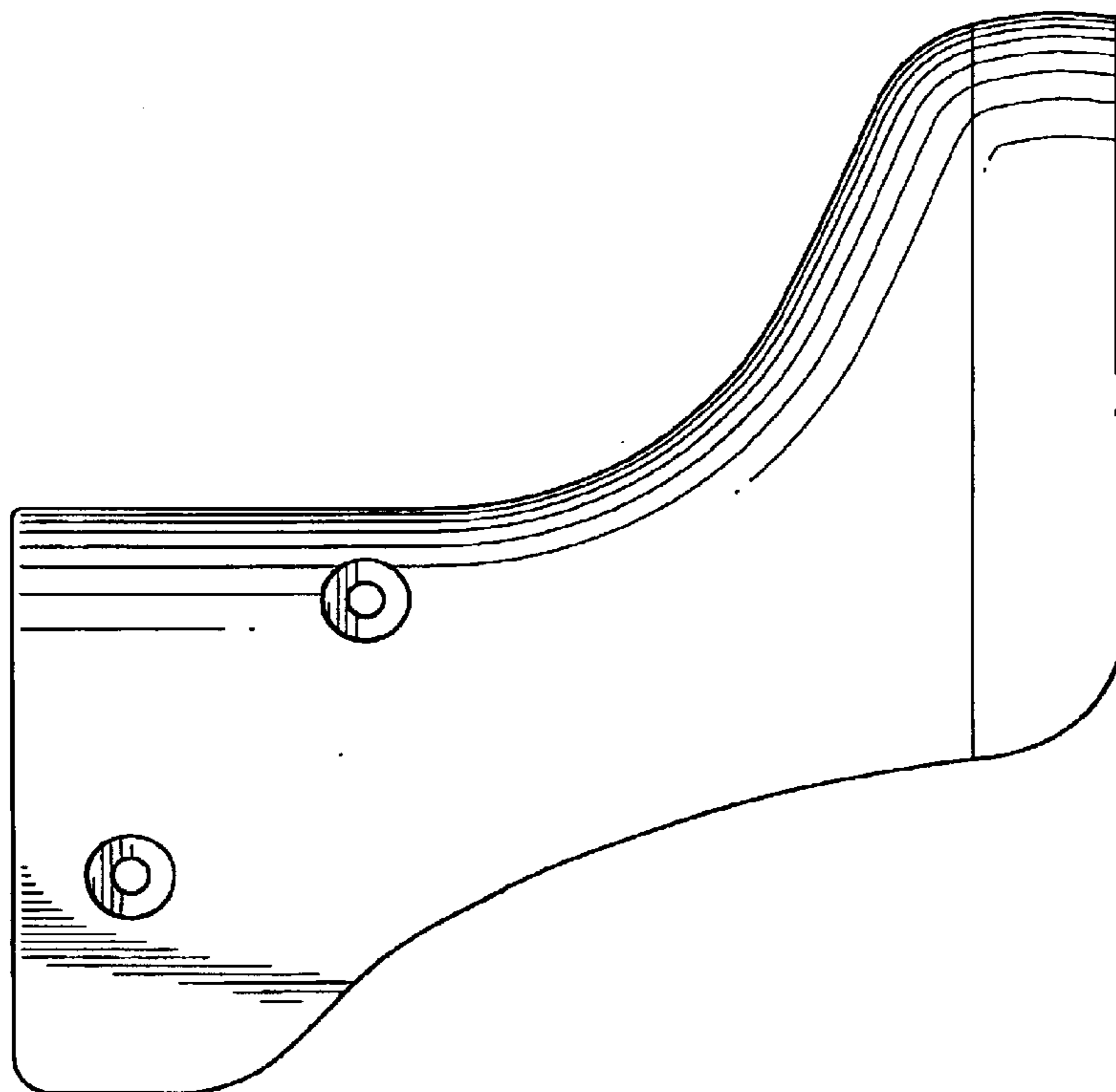


FIG. 4

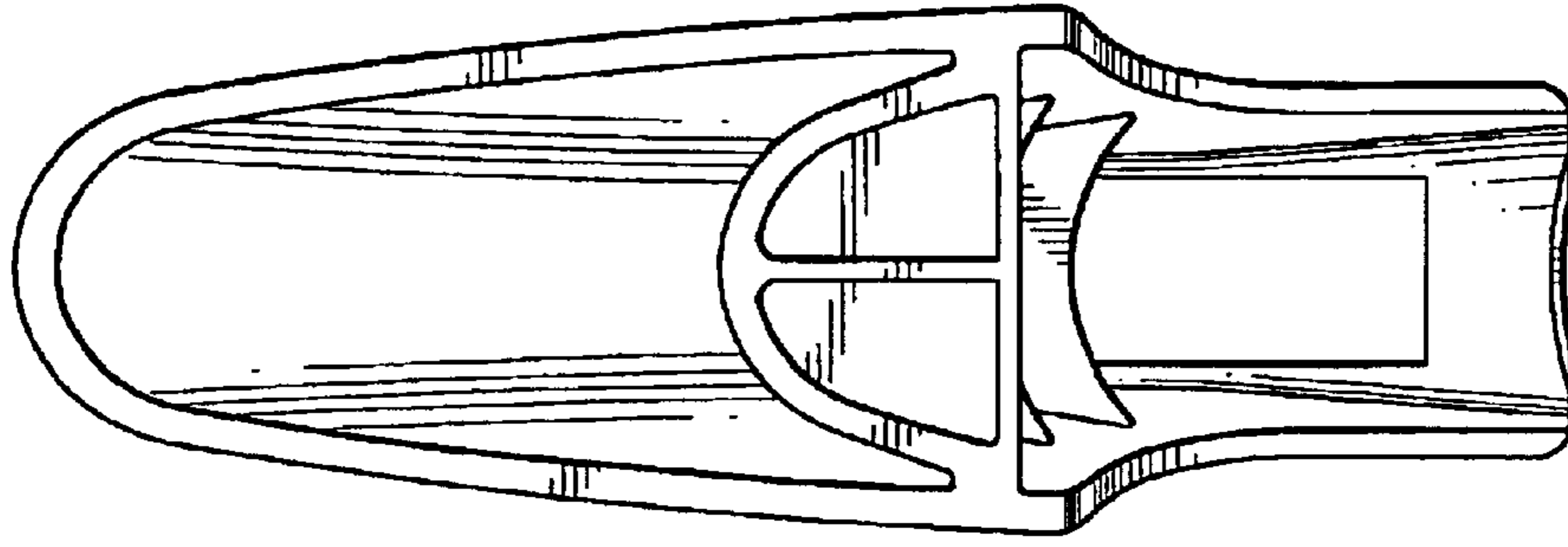


FIG. 7

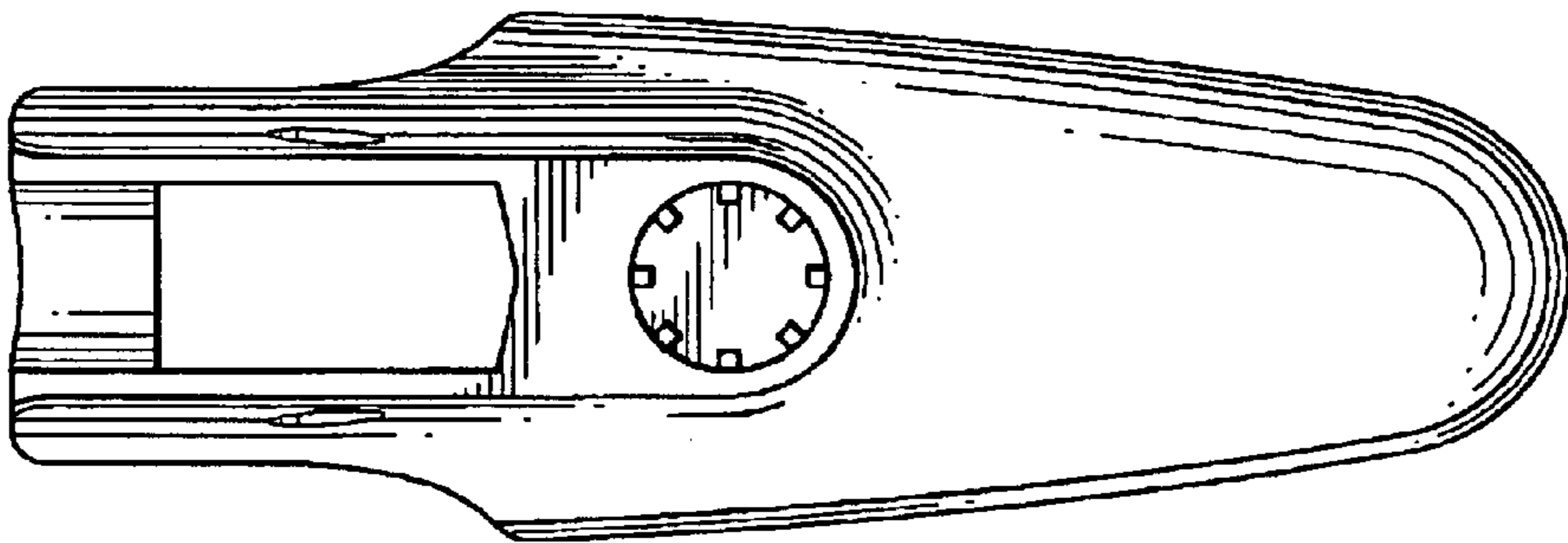


FIG. 6

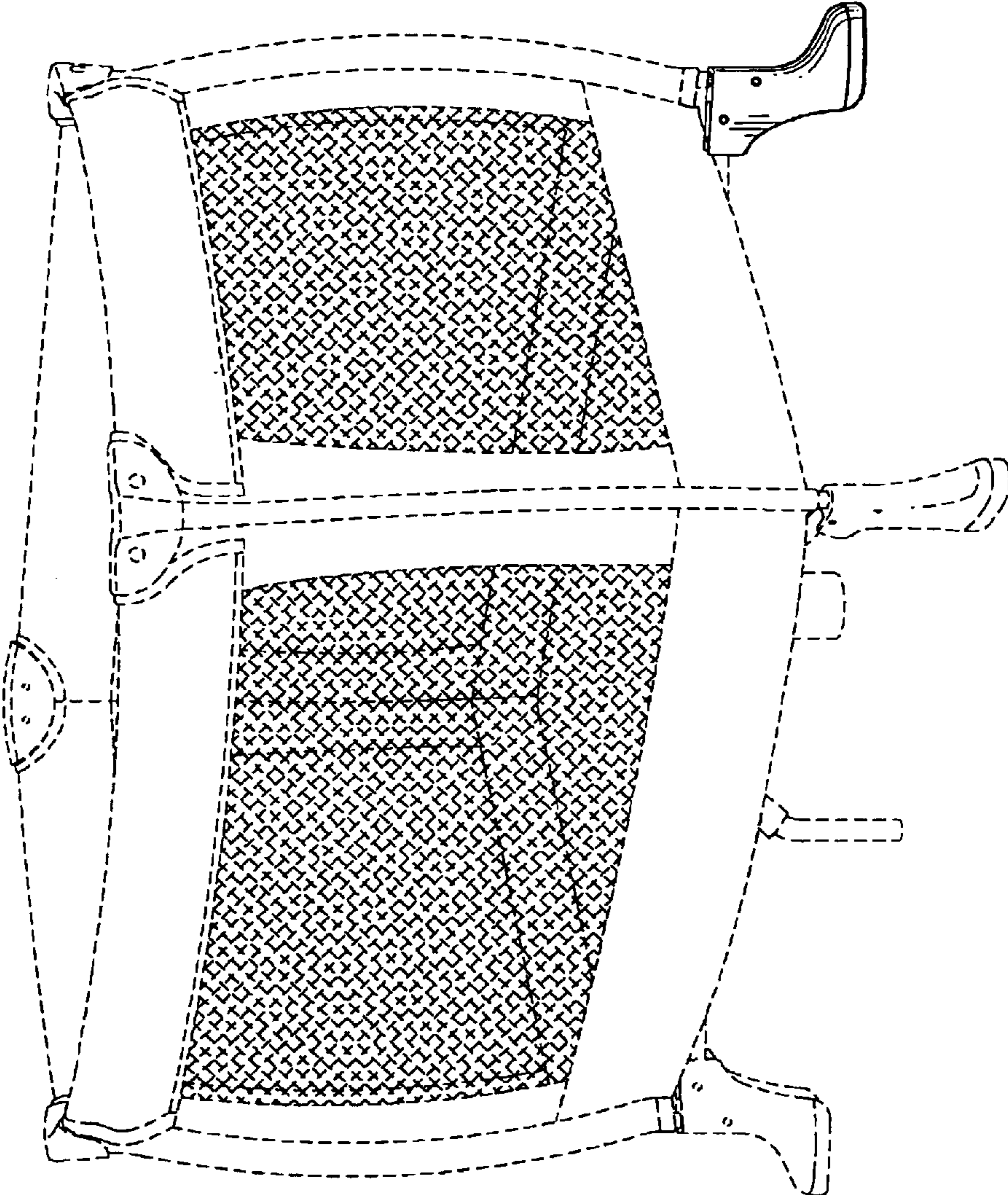


FIG. 8