

US00D493984S1

(12) **United States Design Patent**
Hussain

(10) **Patent No.:** **US D493,984 S**

(45) **Date of Patent:** **** Aug. 10, 2004**

(54) **COLLAPSIBLE SCREENED INSECT
BARRIER HOOD FOR BED**

5,752,537 A 5/1998 Kranzler
6,092,543 A 7/2000 Roh
6,123,091 A * 9/2000 Flynn et al. 5/93.1

(76) Inventor: **Syed Sahadat Hussain**, 35 Waltham
Crescent, Southend-on-Sea, Essex (GB),
SS2-4AY

* cited by examiner

Primary Examiner—Janice Seeger

(**) Term: **14 Years**

(74) *Attorney, Agent, or Firm*—Donald R. Schoonover

(21) Appl. No.: **29/191,981**

(57) **CLAIM**

(22) Filed: **Oct. 17, 2003**

I claim the ornamental design for a collapsible screened insect barrier hood for bed, as shown and described.

(51) **LOC (7) Cl.** **06-06**

DESCRIPTION

(52) **U.S. Cl.** **D6/491; D6/503**

(58) **Field of Search** D6/390, 391, 393,
D6/333, 331, 385, 389, 503; 5/93.1, 99.1,
101, 97, 98.1, 100, 946, 121, 416, 414,
113; D12/129, 133; 135/124, 88.01, 132

FIG. 1 is a perspective view of a collapsible screened insect barrier hood for bed showing my new design;

FIG. 2 is a side elevational view thereof, the elevational view of the opposing side being identical thereto;

FIG. 3 is a top plan view thereof, the bottom plan view being substantially identical thereto;

FIG. 4 is an end elevational view thereof, the elevational view of the opposing end being identical thereto; and,

FIG. 5 is a reduced perspective view showing the collapsible screened insect barrier hood for bed in use; the broken lines depict environmental structure for illustrative purposes only and form no part of the claimed design.

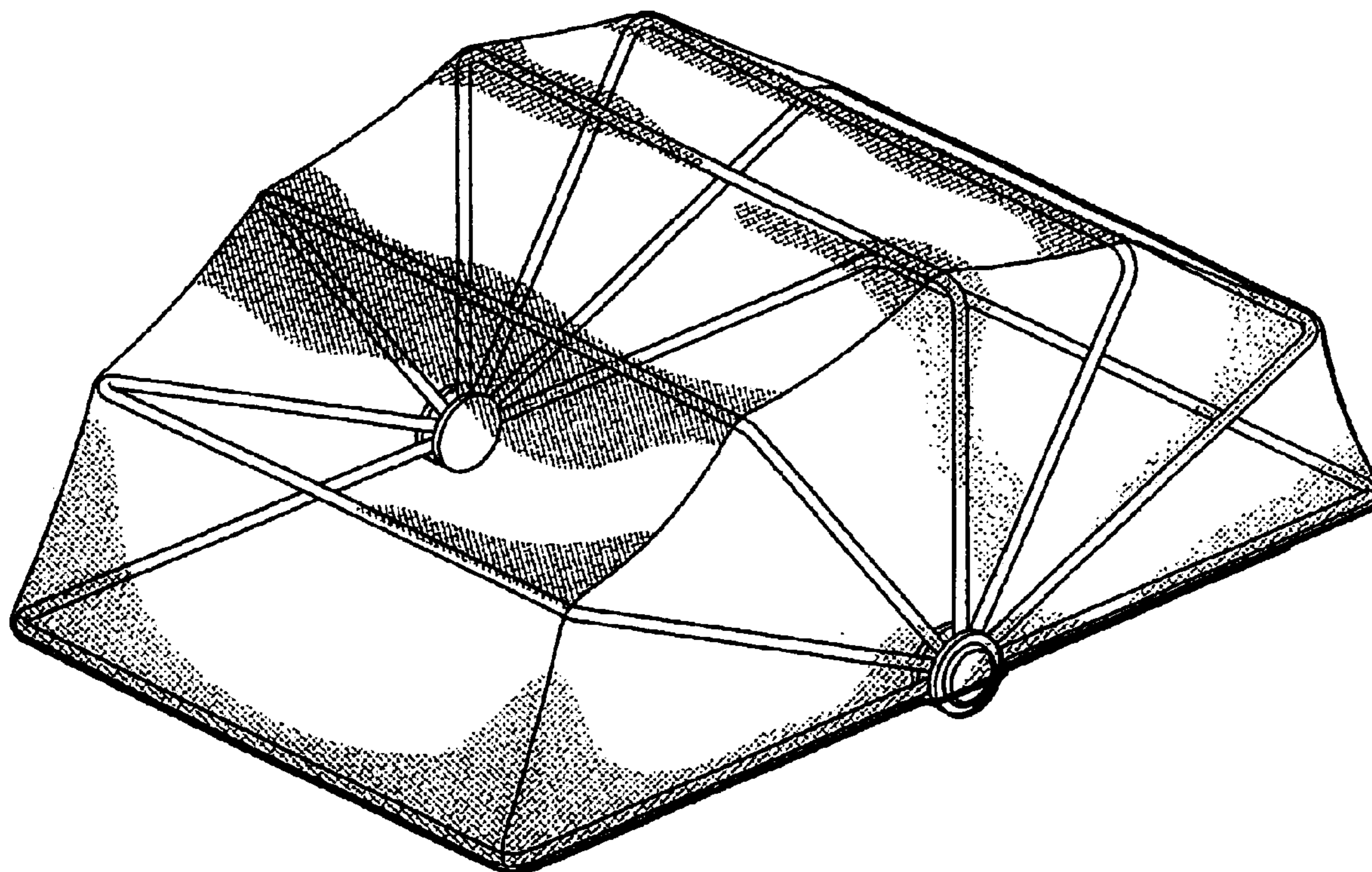
Each of the Figures show the collapsible screened insect barrier hood for bed in a deployed condition.

(56) **References Cited**

U.S. PATENT DOCUMENTS

2,142,851 A	*	1/1939	Jolly	135/132
3,093,838 A		6/1963	Beasley		
4,017,917 A		4/1977	Brown		
4,825,484 A	*	5/1989	Riegel	5/97
5,085,240 A	*	2/1992	Littledeer	135/132
5,184,865 A	*	2/1993	Mohtasham et al.	296/77.1
5,384,925 A		1/1995	Vail		
5,494,066 A		2/1996	McMahan		
D367,788 S	*	3/1996	Lawhorn	D6/491

1 Claim, 3 Drawing Sheets



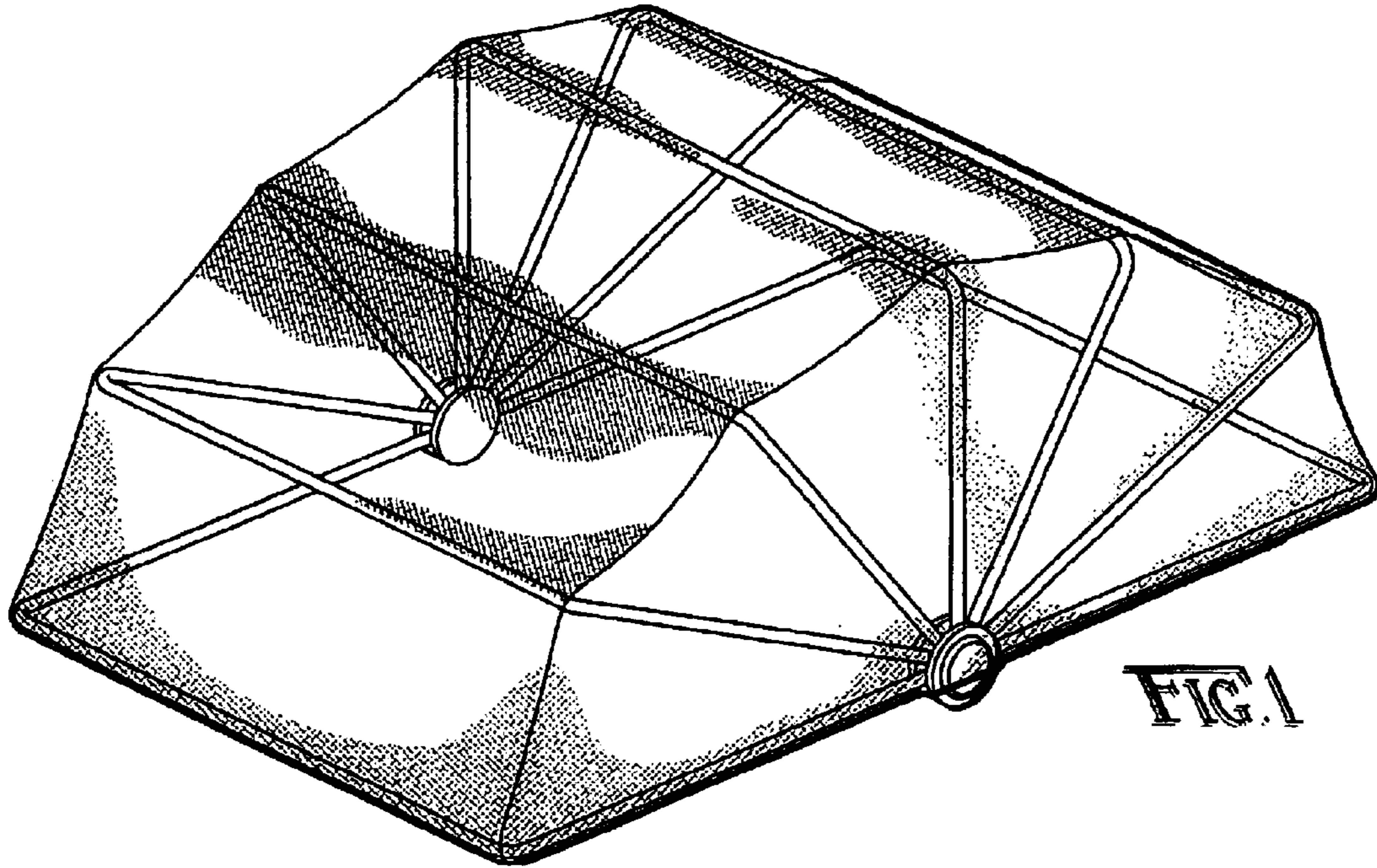


FIG. 1

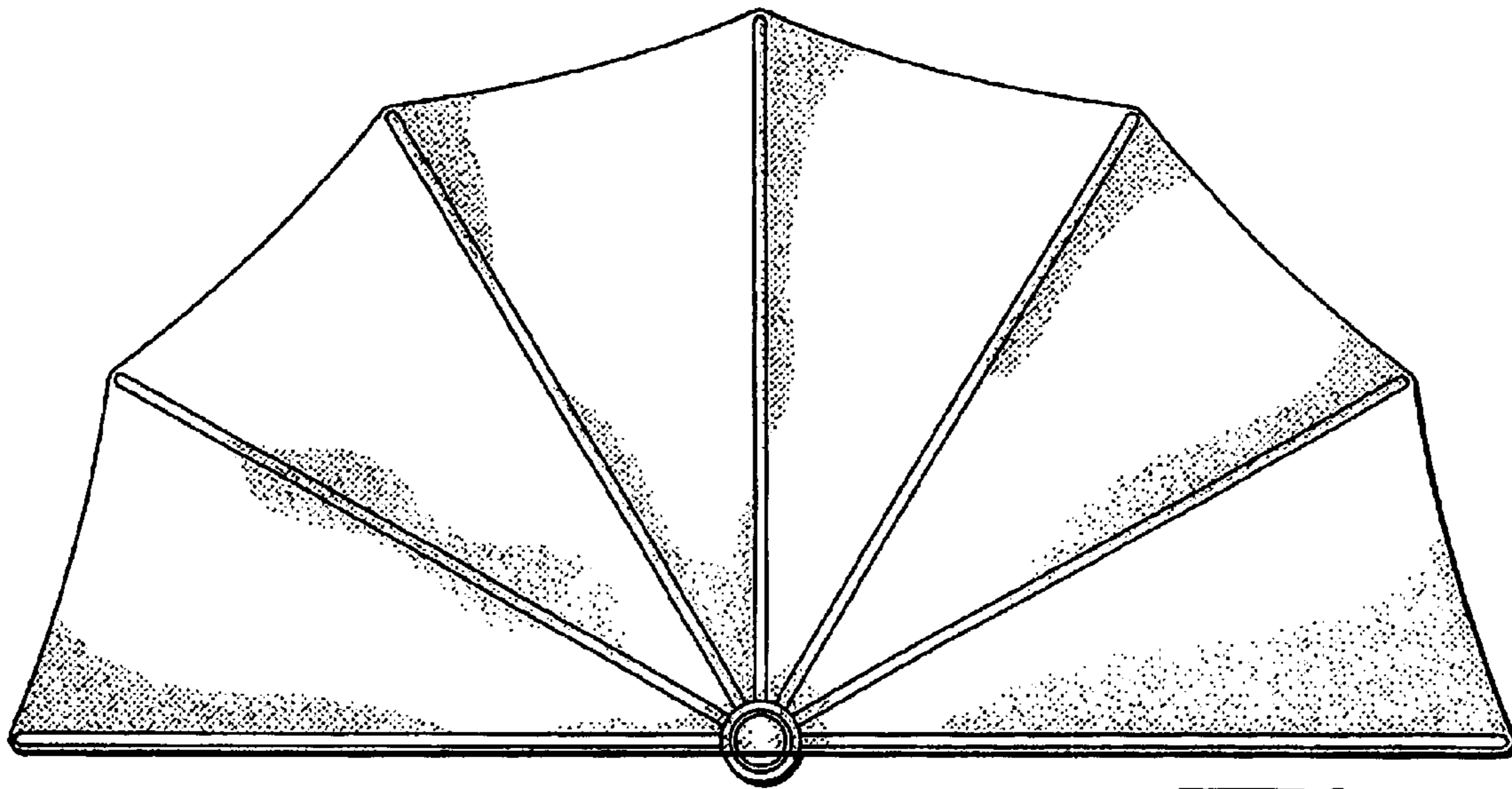


FIG. 2

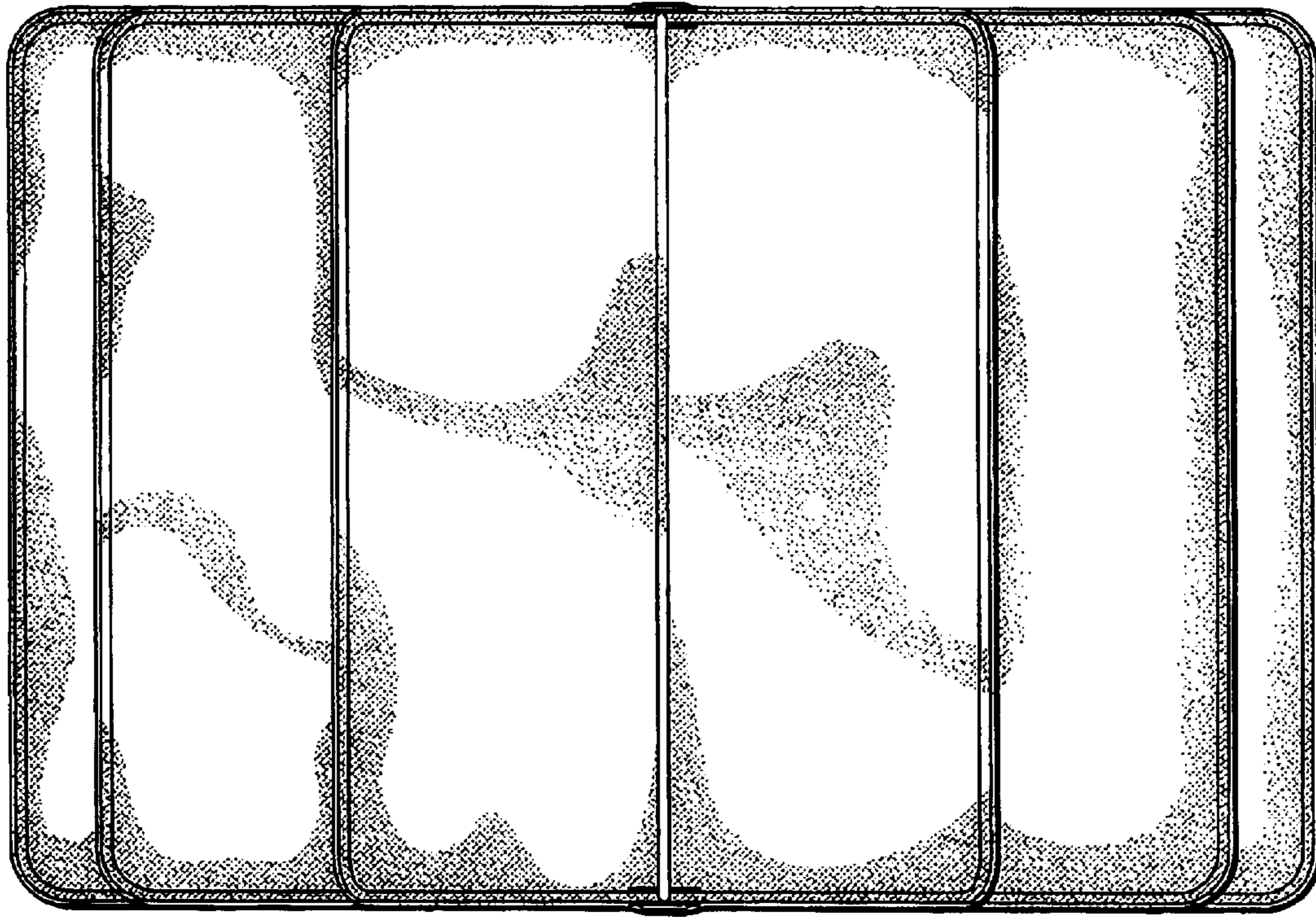


FIG. 3

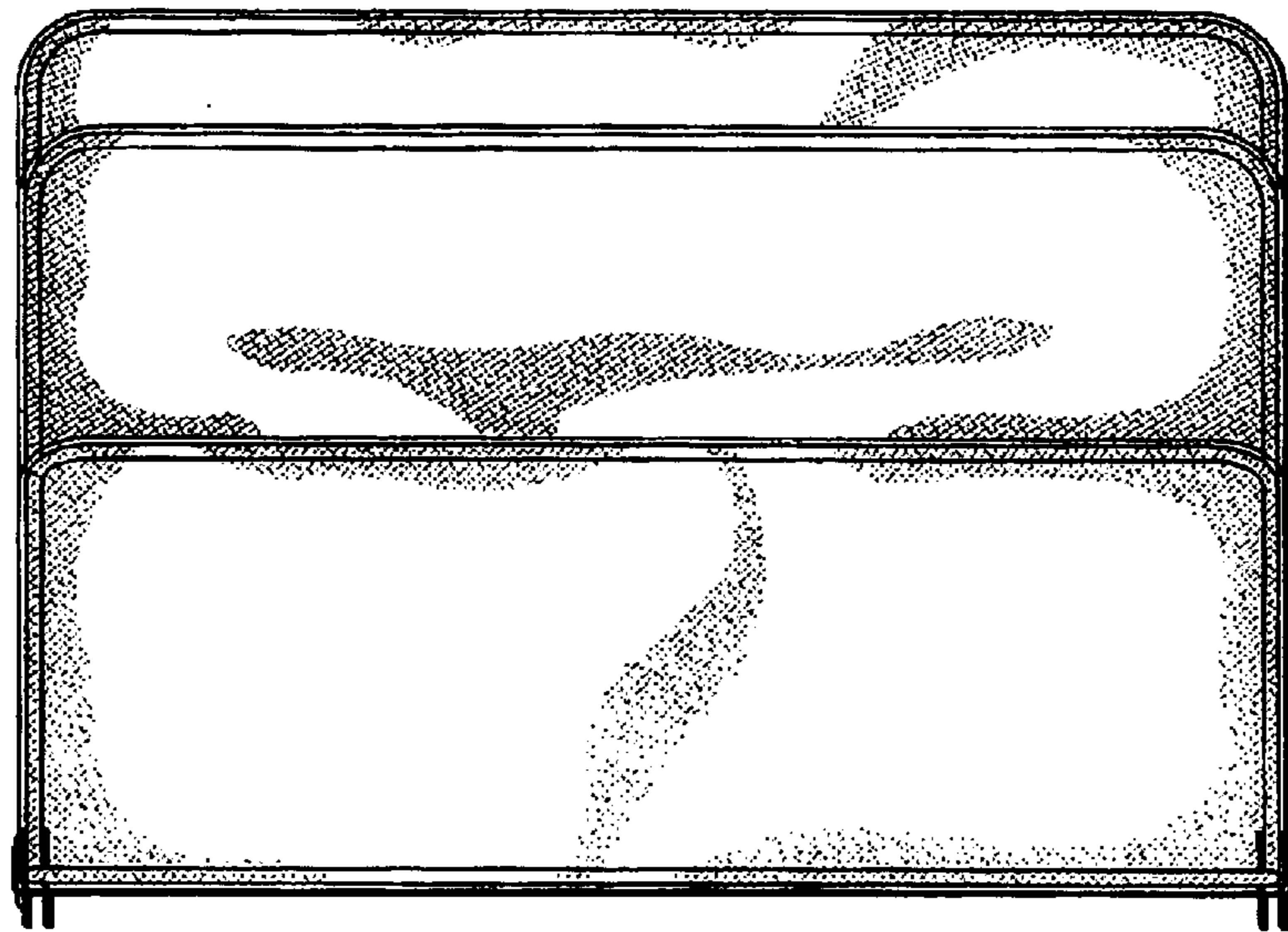


FIG. 4

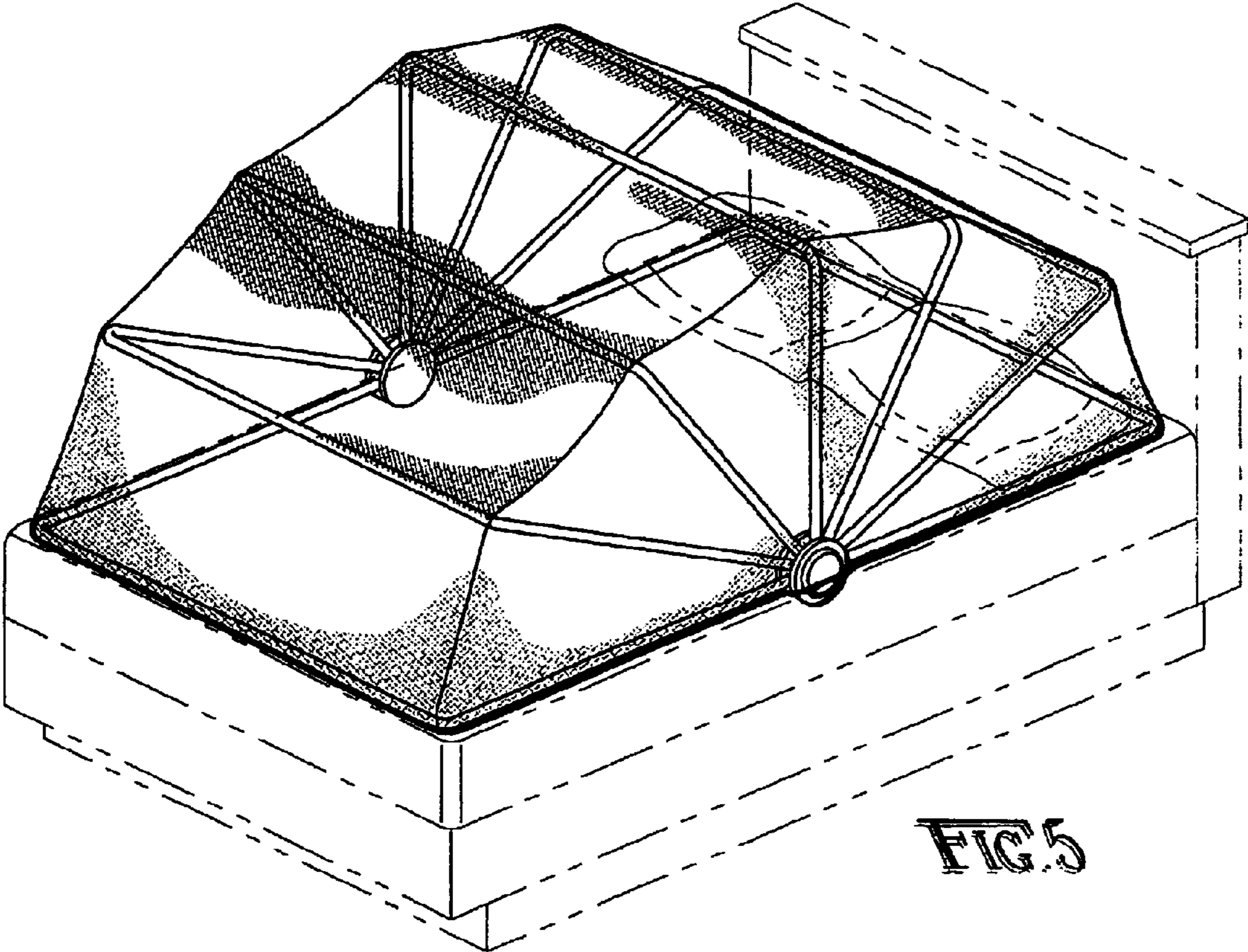


FIG. 5