

US00D493977S1

(12) **United States Design Patent** (10) **Patent No.:** **US D493,977 S**
Rossini et al. (45) **Date of Patent:** **** Aug. 10, 2004**

(54) **MOBILE COMPUTER CART, BASE ASSEMBLY**

Primary Examiner—Kay H. Chin
(74) *Attorney, Agent, or Firm—Brian M. Dingman, Esq.; Mirick, O’Connell, DeMallie & Lougee, LLP*

(75) Inventors: **Alfred P. Rossini**, Southboro, MA (US); **Louis F. Genatossio**, Shrewsbury, MA (US)

(57) **CLAIM**

(73) Assignee: **Jaco, Inc.**, Franklin, MA (US)

The ornamental design for a mobile computer cart, base assembly, as shown and described.

(**) Term: **14 Years**

(21) Appl. No.: **29/180,475**

DESCRIPTION

(22) Filed: **Apr. 24, 2003**

(51) **LOC (7) Cl.** **06-04**

(52) **U.S. Cl.** **D6/426; D34/27**

(58) **Field of Search** D34/12–27; D6/422, D6/423, 426–429, 474, 480, 511; 108/50.01, 50.02, 59

FIG. 1 is a perspective view of the mobile computer cart, base assembly of the invention;
FIG. 2 is a front elevational view of the mobile computer cart, base assembly of FIG. 1;
FIG. 3 is a rear elevational view of the mobile computer cart, base assembly of FIG. 1;
FIG. 4 is a left side elevational view of the mobile computer cart, base assembly of FIG. 1;
FIG. 5 is a right side elevational view of the mobile computer cart, base assembly of FIG. 1;
FIG. 6 is a top view of the mobile computer cart, base assembly of FIG. 1; and,
FIG. 7 is a bottom view of the mobile computer cart, base assembly of FIG. 1.

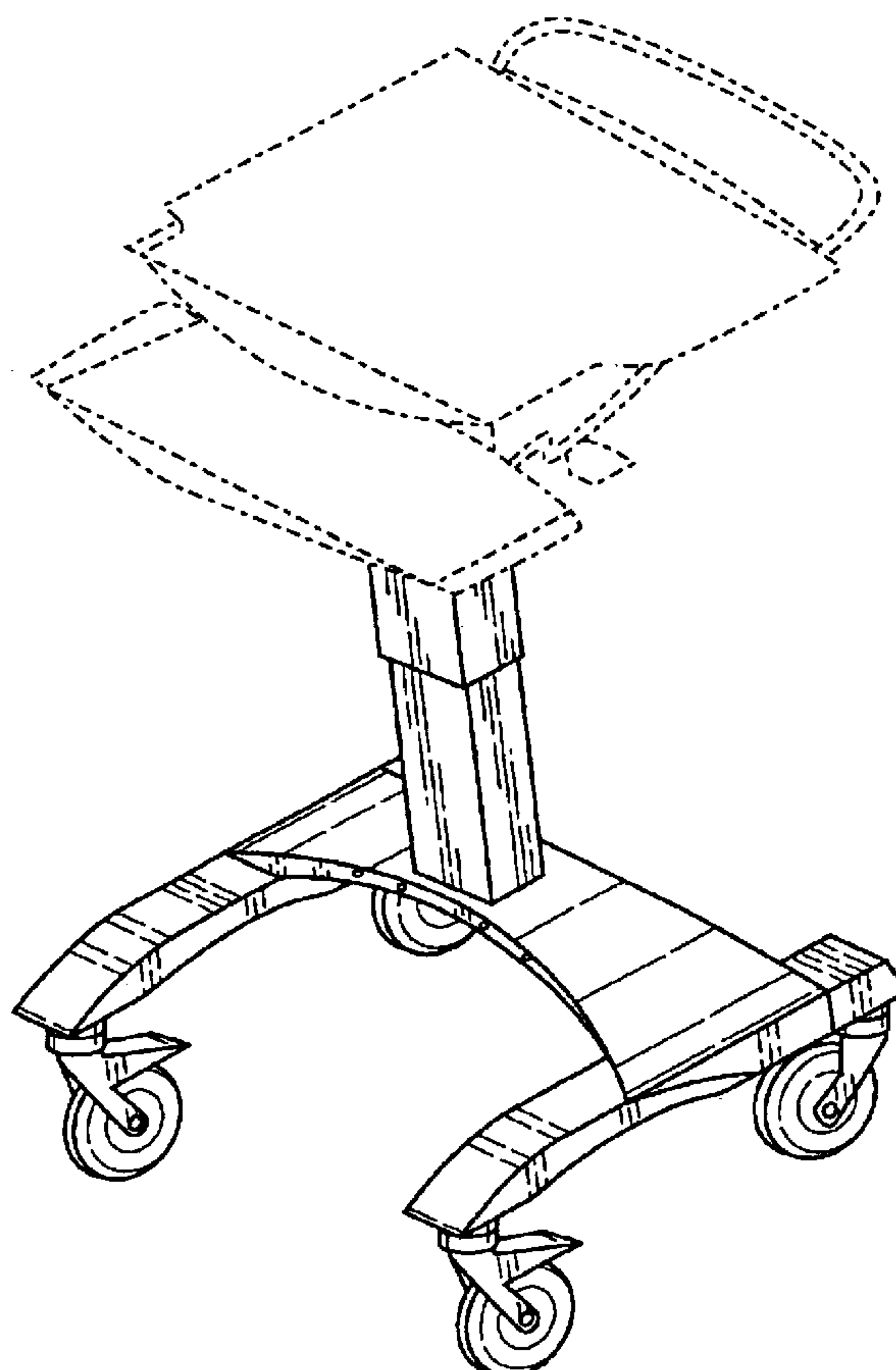
(56) **References Cited**

U.S. PATENT DOCUMENTS

D315,261 S	*	3/1991	Ng et al.	D6/426
D339,257 S	*	9/1993	Scharer et al.	D6/474
D435,367 S	*	12/2000	Tzeng	D6/480
6,397,761 B1	*	6/2002	Moore	108/50.01
D469,270 S	*	1/2003	Hawang	D6/425

* cited by examiner

1 Claim, 7 Drawing Sheets



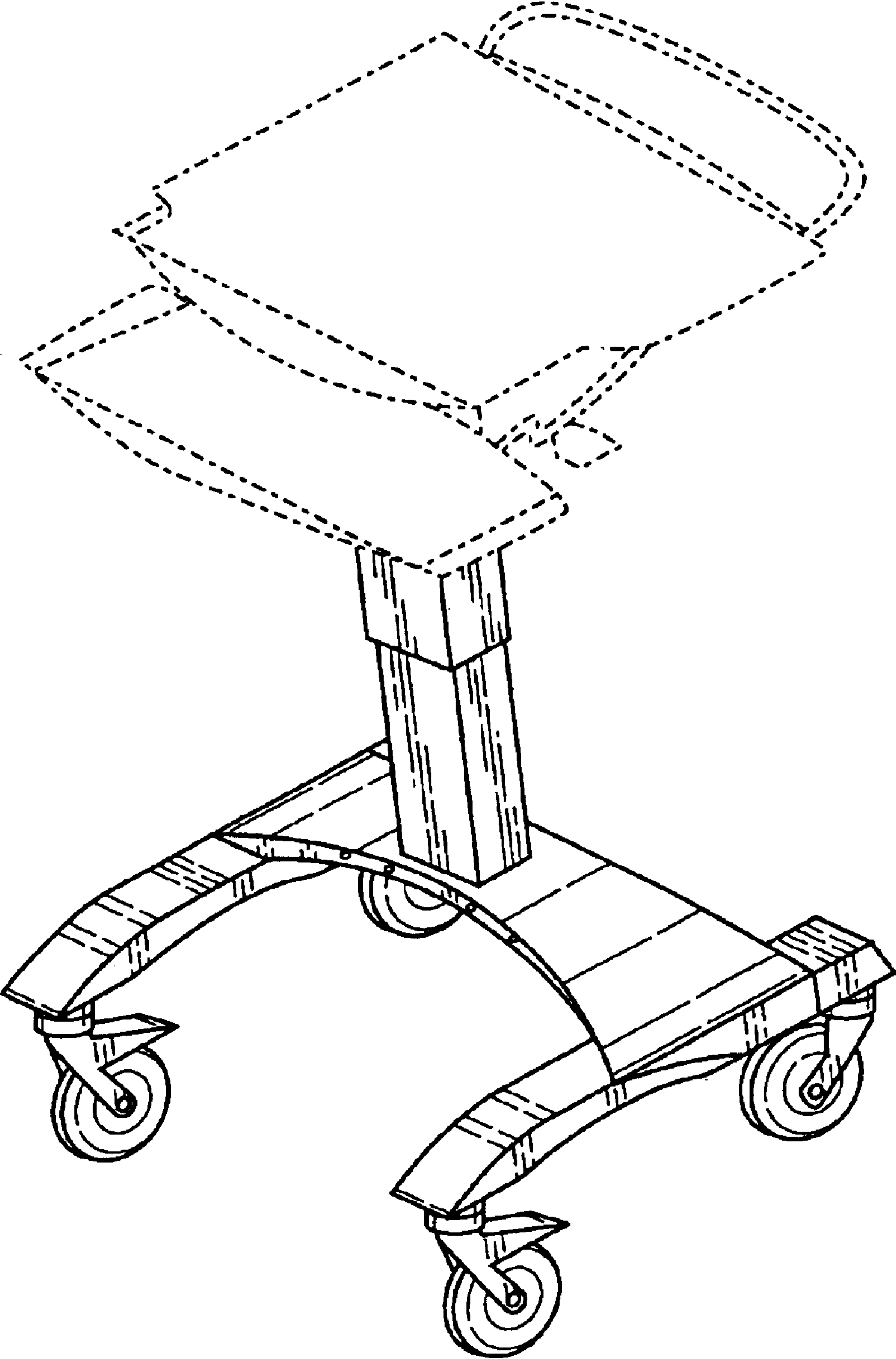


FIG. 1

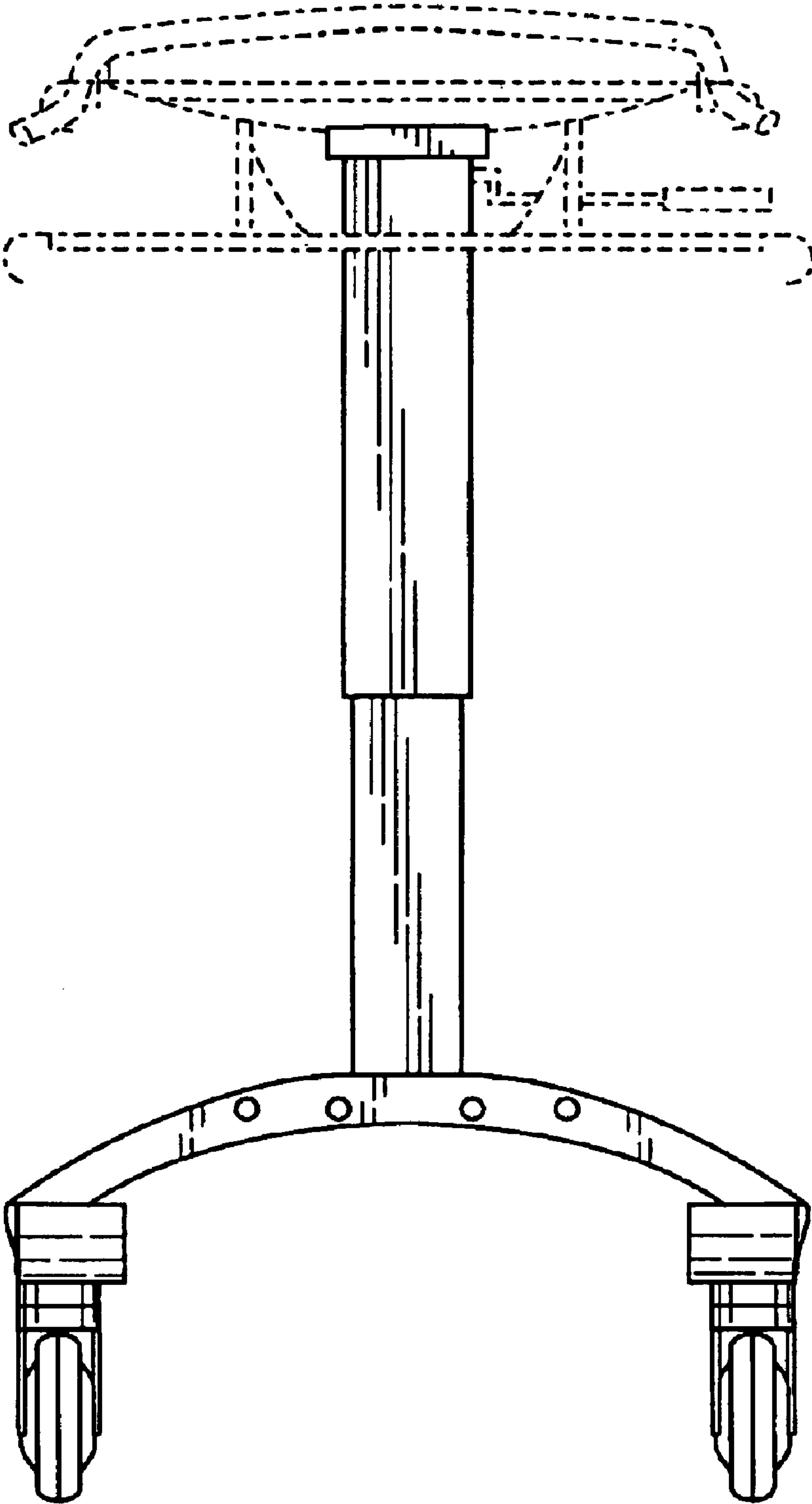


FIG. 2

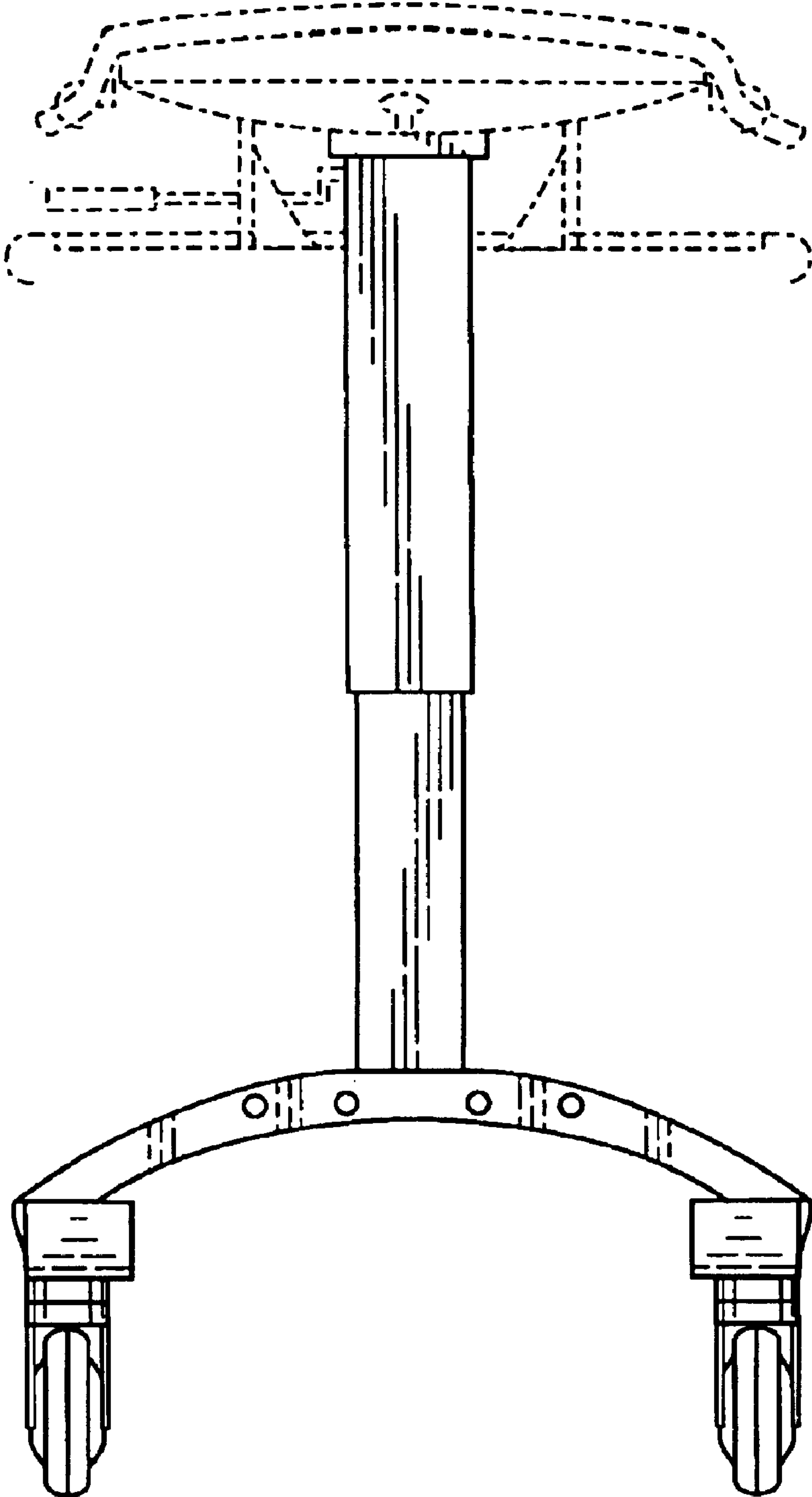


FIG. 3

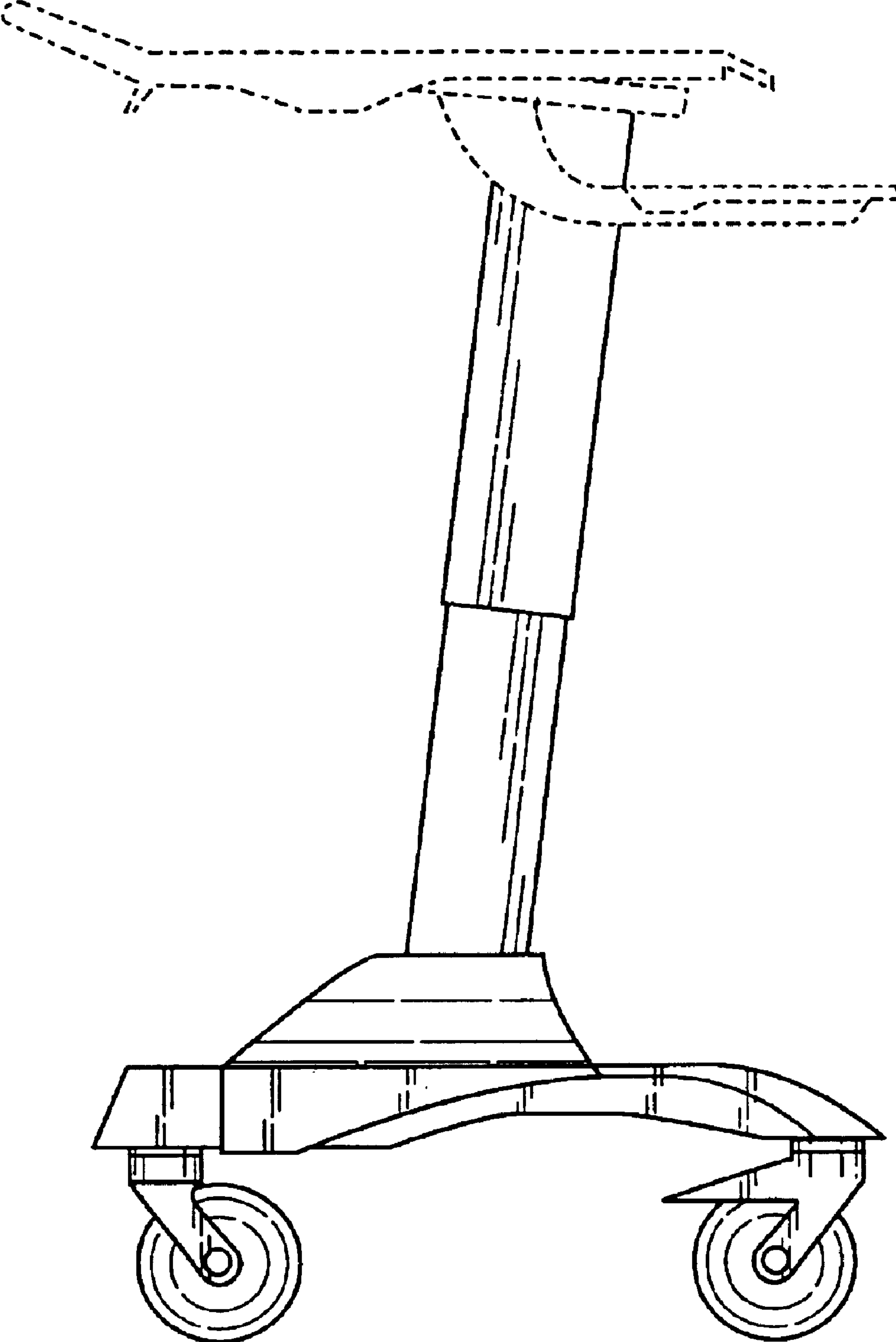


FIG. 4

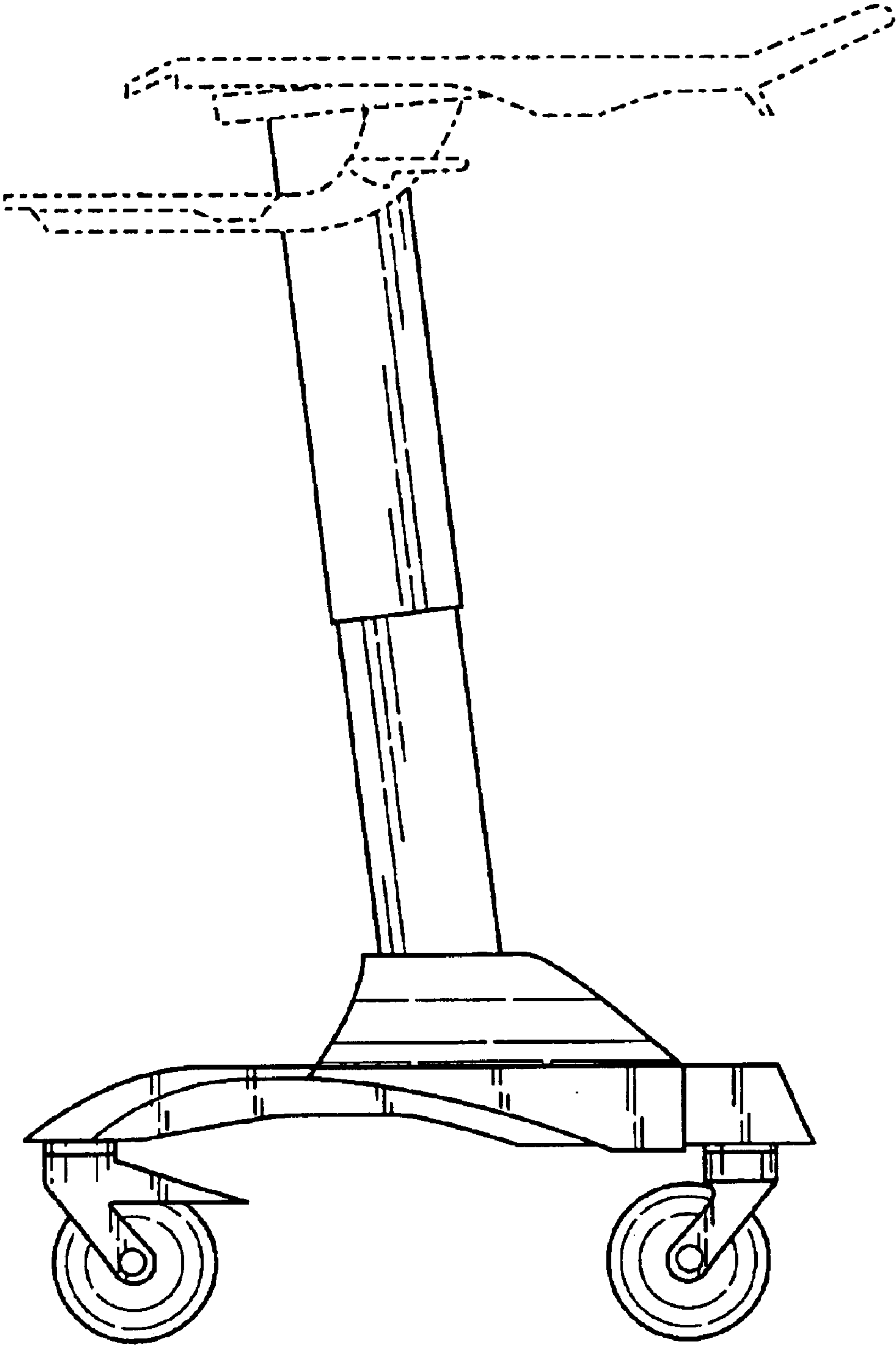


FIG. 5

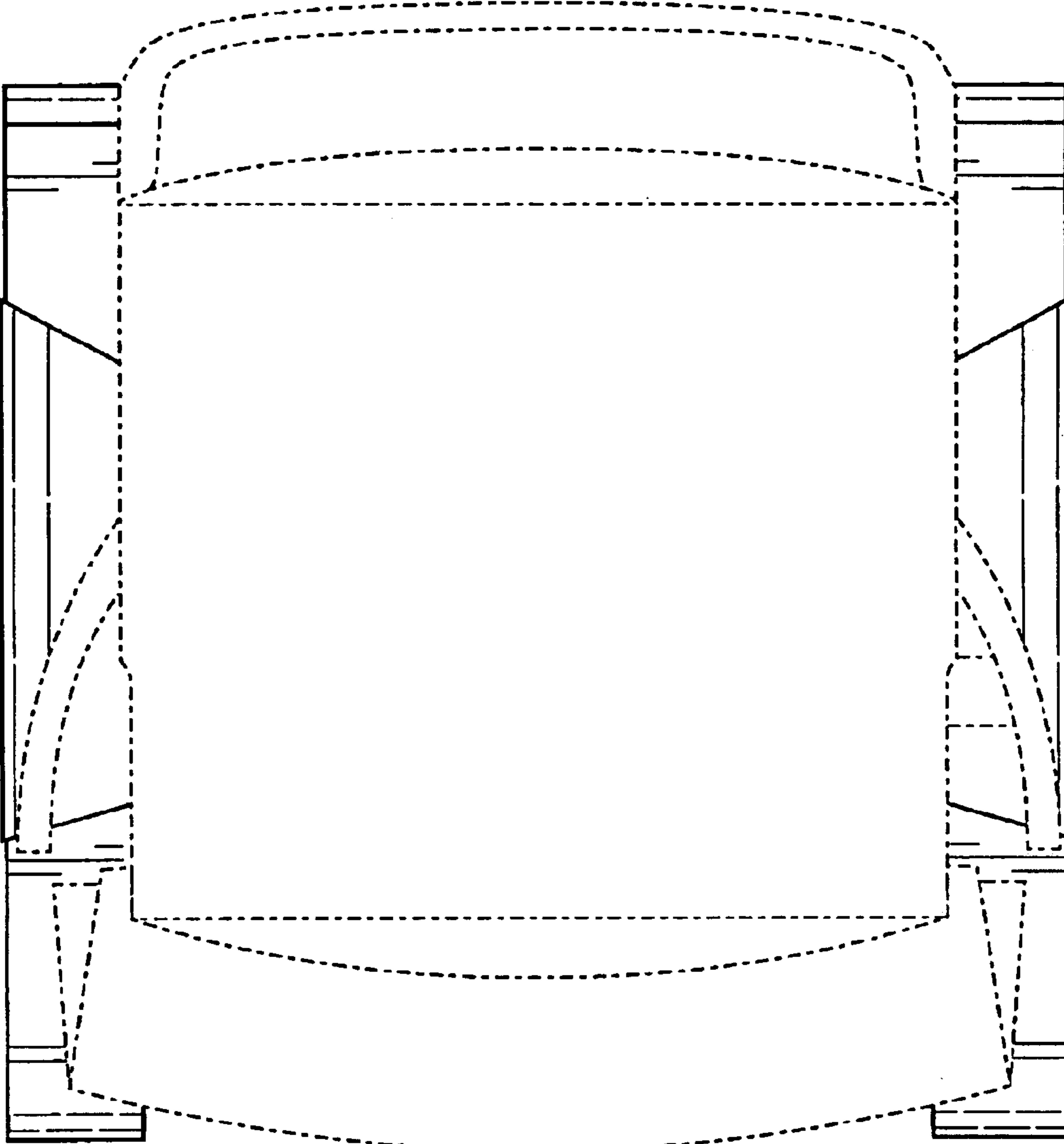


FIG. 6

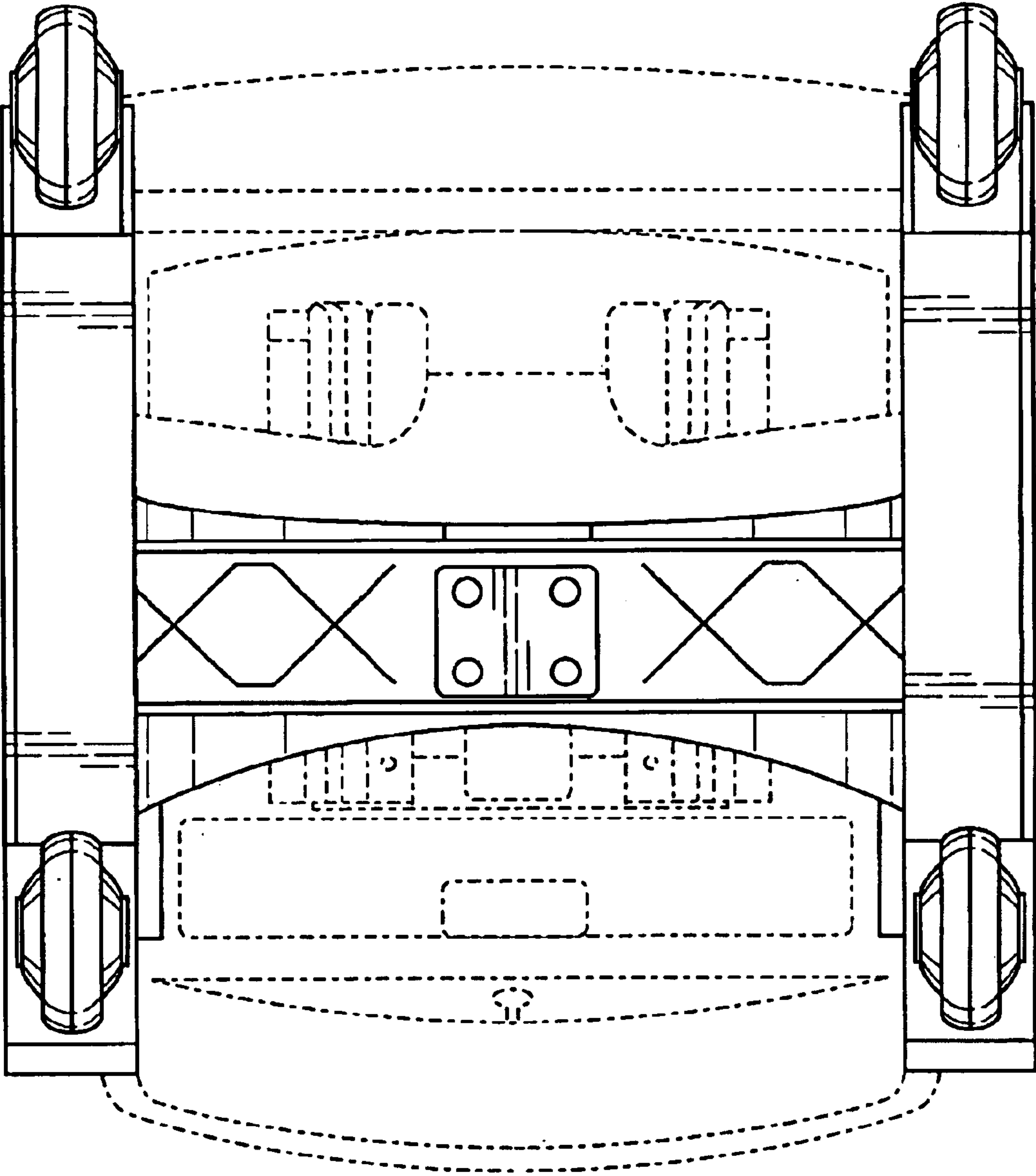


FIG. 7