

US00D493976S1

(12) **United States Design Patent**
Bergelin

(10) **Patent No.:** **US D493,976 S**

(45) **Date of Patent:** **** Aug. 10, 2004**

(54) **BEDSTEAD**

(75) **Inventor:** **Christopher Speir Bergelin,**
Morganton, NC (US)

(73) **Assignee:** **Henredon Furniture Industries, Inc.,**
Morganton, NC (US)

(**) **Term:** **14 Years**

(21) **Appl. No.:** **29/185,971**

(22) **Filed:** **Jul. 7, 2003**

(51) **LOC (7) Cl.** **06-01**

(52) **U.S. Cl.** **D6/393; D6/508**

(58) **Field of Search** **D6/388, 389, 392-395,**
D6/505-508, 382-384; 5/53.1, 279.1, 280,
281, 907, 2.1

(56) **References Cited**

U.S. PATENT DOCUMENTS

D22,864 S	*	10/1893	Mersereau	D6/395
D441,980 S	*	5/2001	McDaniel et al.	D6/393
D474,917 S	*	5/2003	Risdon	D6/393
D475,862 S	*	6/2003	McDaniel et al.	D6/393

OTHER PUBLICATIONS

Thomasville Terrace Garden, c1992/1990, p. 8.*

Thomasville Serenade, p. 4, Apr. 1988.*

* cited by examiner

Primary Examiner—Janice Seeger

(74) *Attorney, Agent, or Firm*—Womble Carlyle Sandridge & Rice, PLLC

(57) **CLAIM**

The ornamental design for a bedstead, as shown and described.

DESCRIPTION

FIG. 1 is a left front perspective view of a bedstead showing my new design;

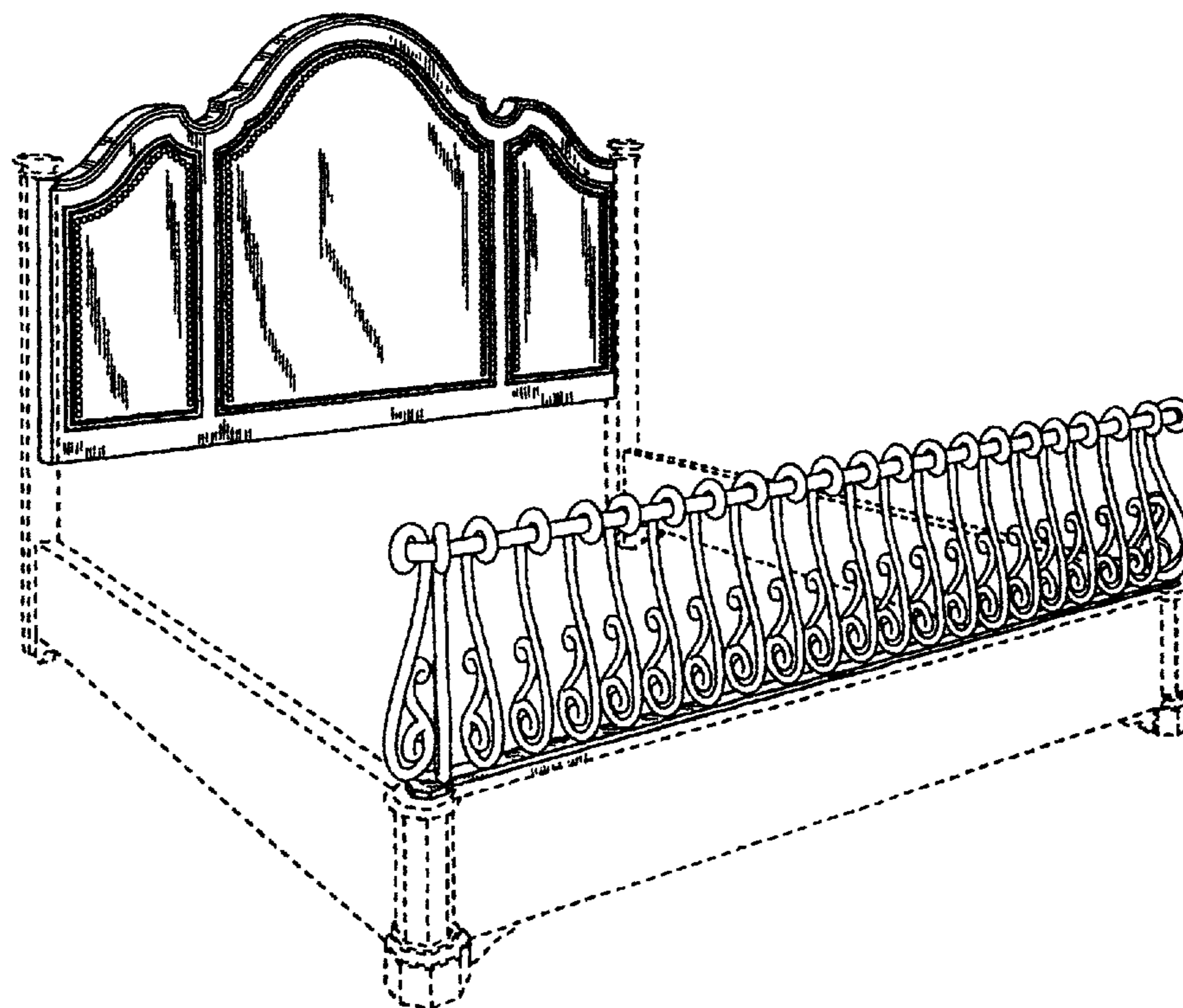
FIG. 2 is a side elevational view, the opposite side being a mirror image thereof;

FIG. 3 is a front elevational view thereof; and,

FIG. 4 is a rear perspective view of the footboard section thereof.

The views of the bedstead not shown form no part of the claimed design. The broken lines depicting finials, posts, side rails and feet represent environmental elements only and form no part of the claimed design.

1 Claim, 4 Drawing Sheets



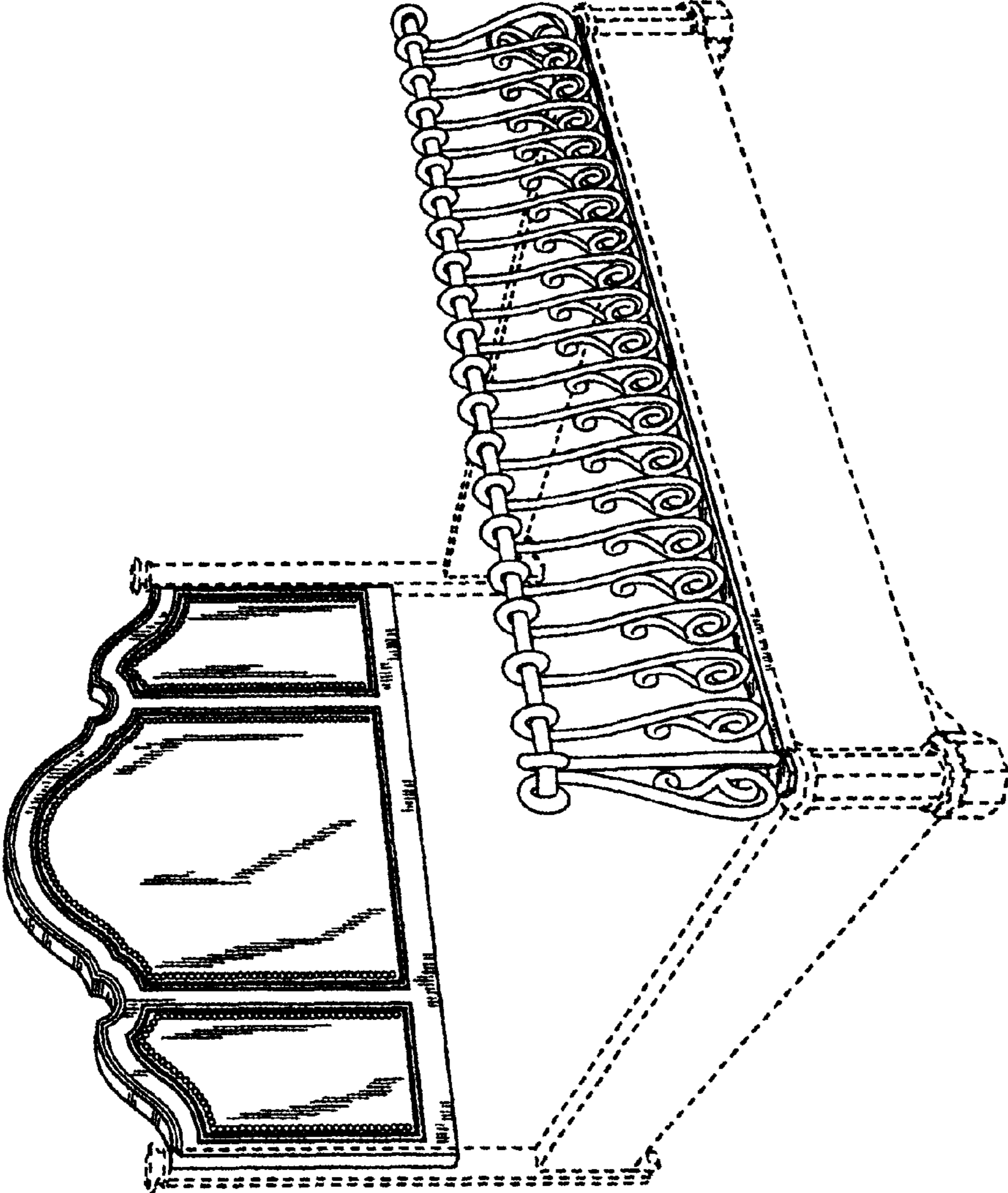


FIG. 1

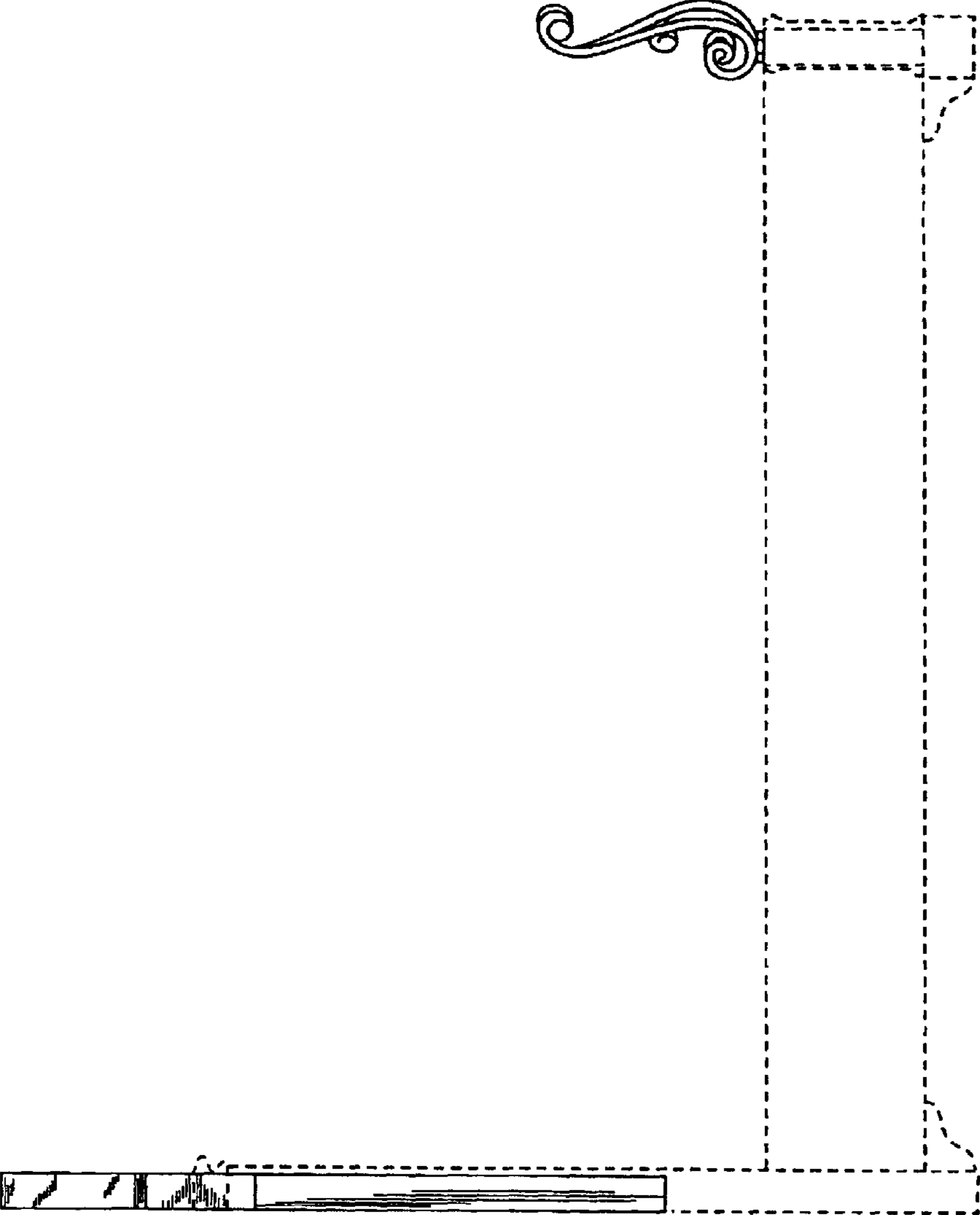


FIG. 2

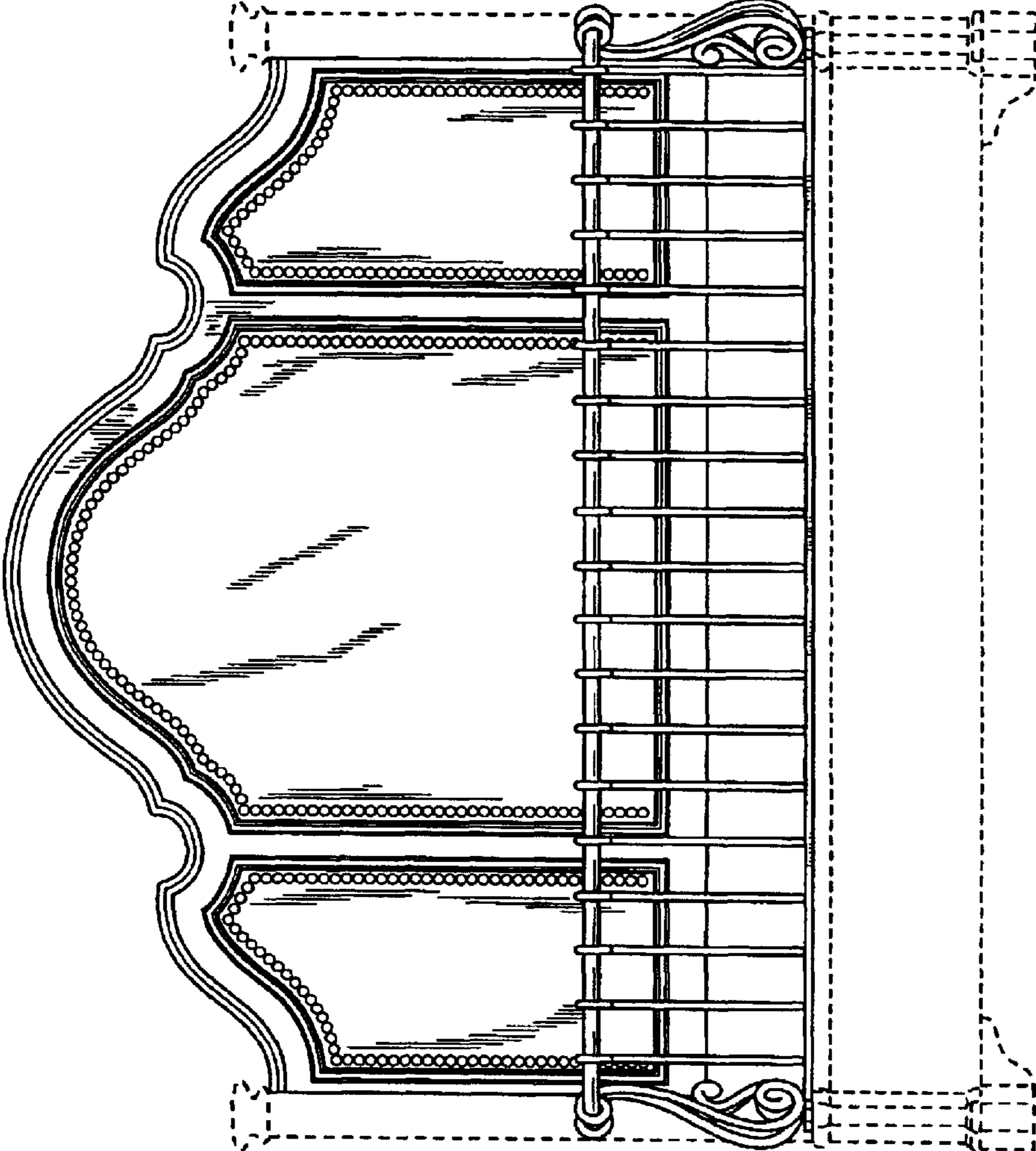


FIG. 3

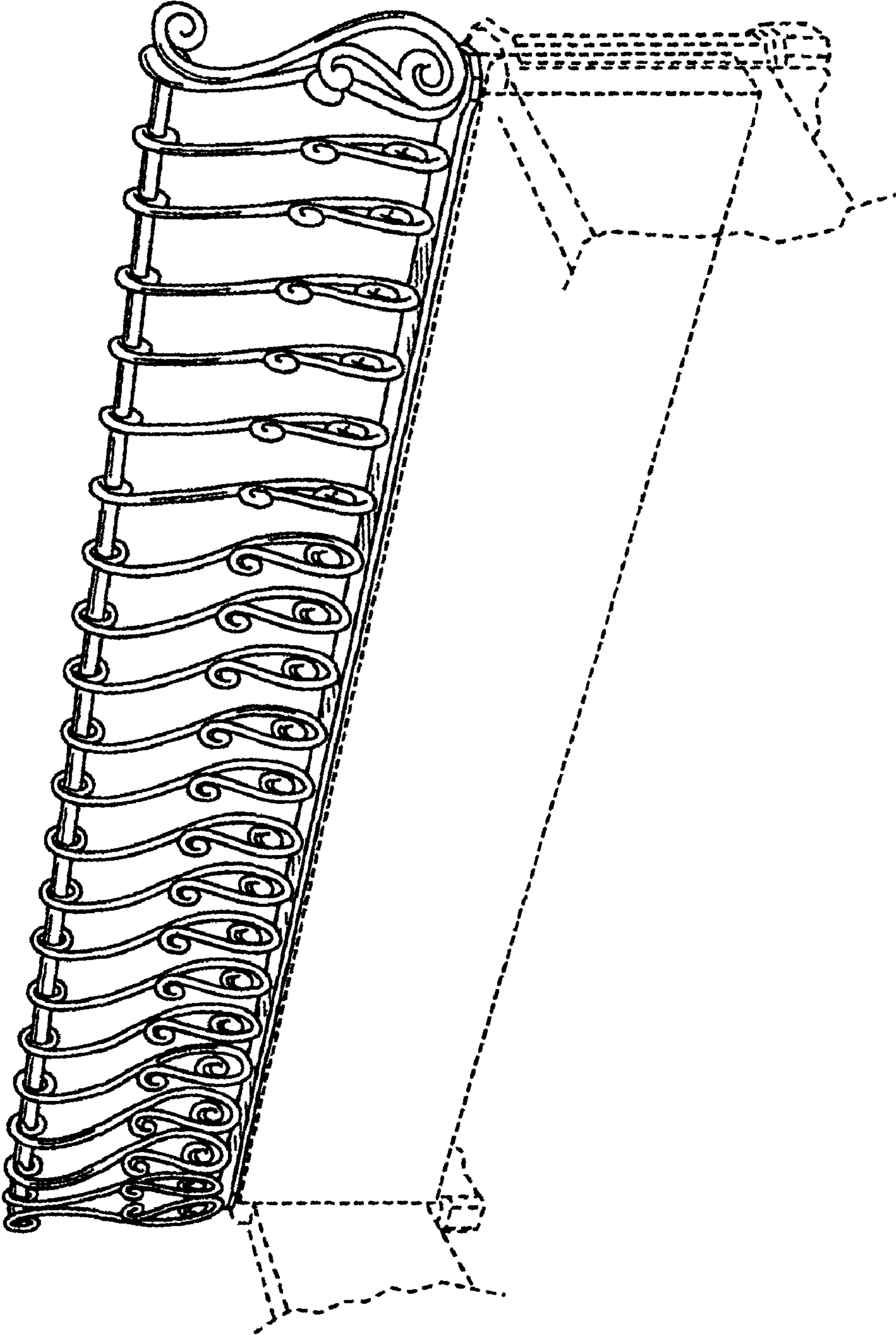


FIG. 4