

US00D493975S1

(12) **United States Design Patent**
Juneau et al.

(10) **Patent No.:** **US D493,975 S**

(45) **Date of Patent:** **** Aug. 10, 2004**

(54) **BED**

D93,438 S 10/1934 Geddes et al.
D160,571 S * 10/1950 Belanger D6/393
D417,973 S 12/1999 LaCroix et al.

(75) Inventors: **Alain Juneau**, St-Jean-Chrysostome
(CA); **Ivan LaCroix**, Sainte-Marie
(CA)

* cited by examiner

(73) Assignee: **Baronet, Inc.** (CA)

Primary Examiner—Janice Seeger
(74) *Attorney, Agent, or Firm*—SAIDMAN DesignLaw
Group

(**) Term: **14 Years**

(57) **CLAIM**

(21) Appl. No.: **29/178,129**

The ornamental design for a bed, as shown and described.

(22) Filed: **Mar. 21, 2003**

DESCRIPTION

(51) **LOC (7) Cl.** **06-01**

(52) **U.S. Cl.** **D6/393**

(58) **Field of Search** D6/388, 389, 392–395,
D6/505–508, 382–384; 5/53.1, 279.1, 280,
281, 907, 2.1

FIG. 1 is a perspective view of a first embodiment of a bed showing our new design;
FIG. 2 is a top view thereof;
FIG. 3 is a front view thereof;
FIG. 4 is a right-side view thereof, the left-side view being a mirror-image; and,
FIG. 5 is a perspective view of a second embodiment thereof.

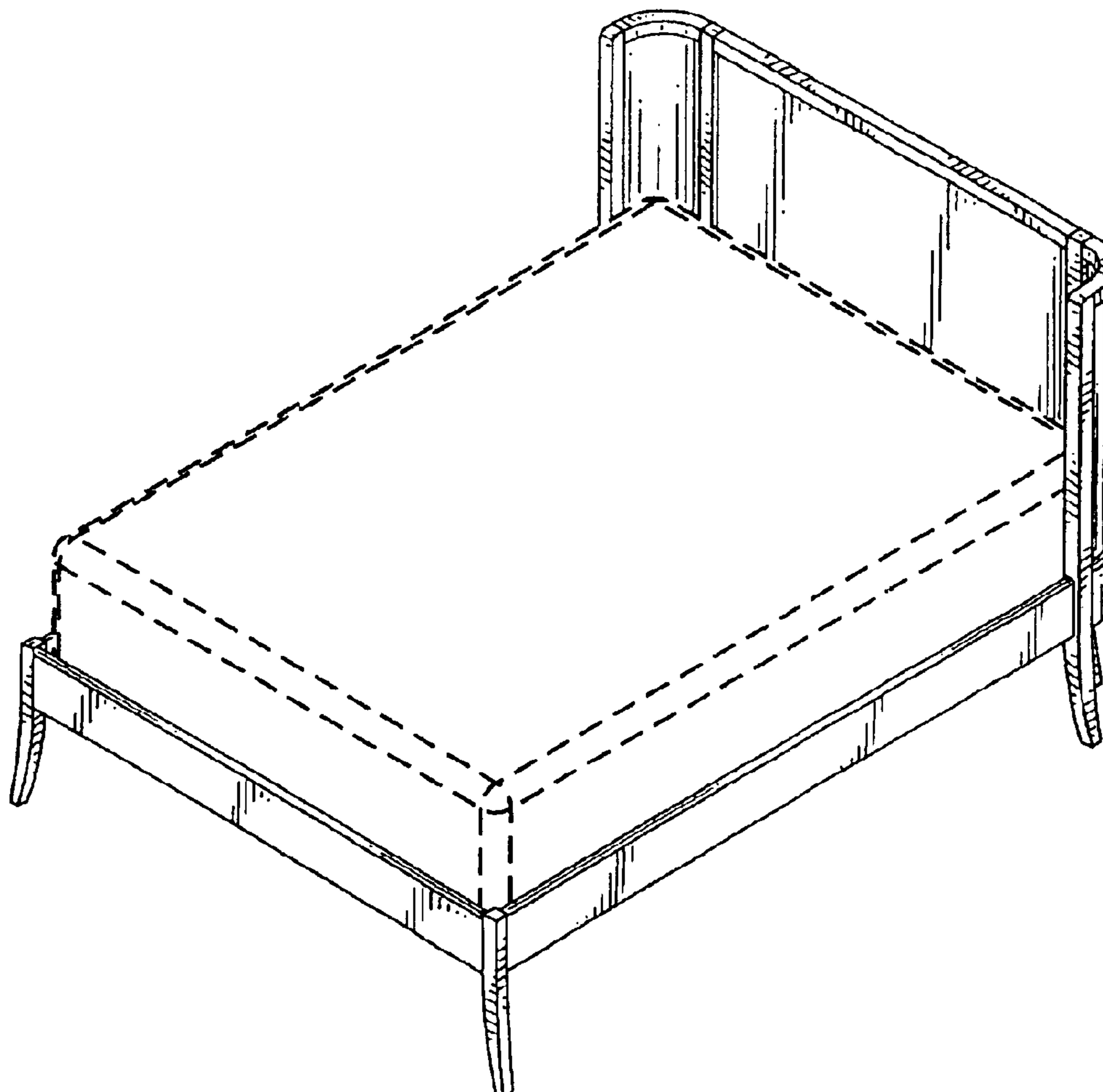
(56) **References Cited**

U.S. PATENT DOCUMENTS

D55,426 S * 6/1920 Lipshitz D6/393
D56,725 S * 12/1920 Isaacs D6/393
D58,387 S * 7/1921 Joynes D6/393

The mattress shown in broken lines in the drawings is illustrative and is not part of the claimed design.

1 Claim, 5 Drawing Sheets



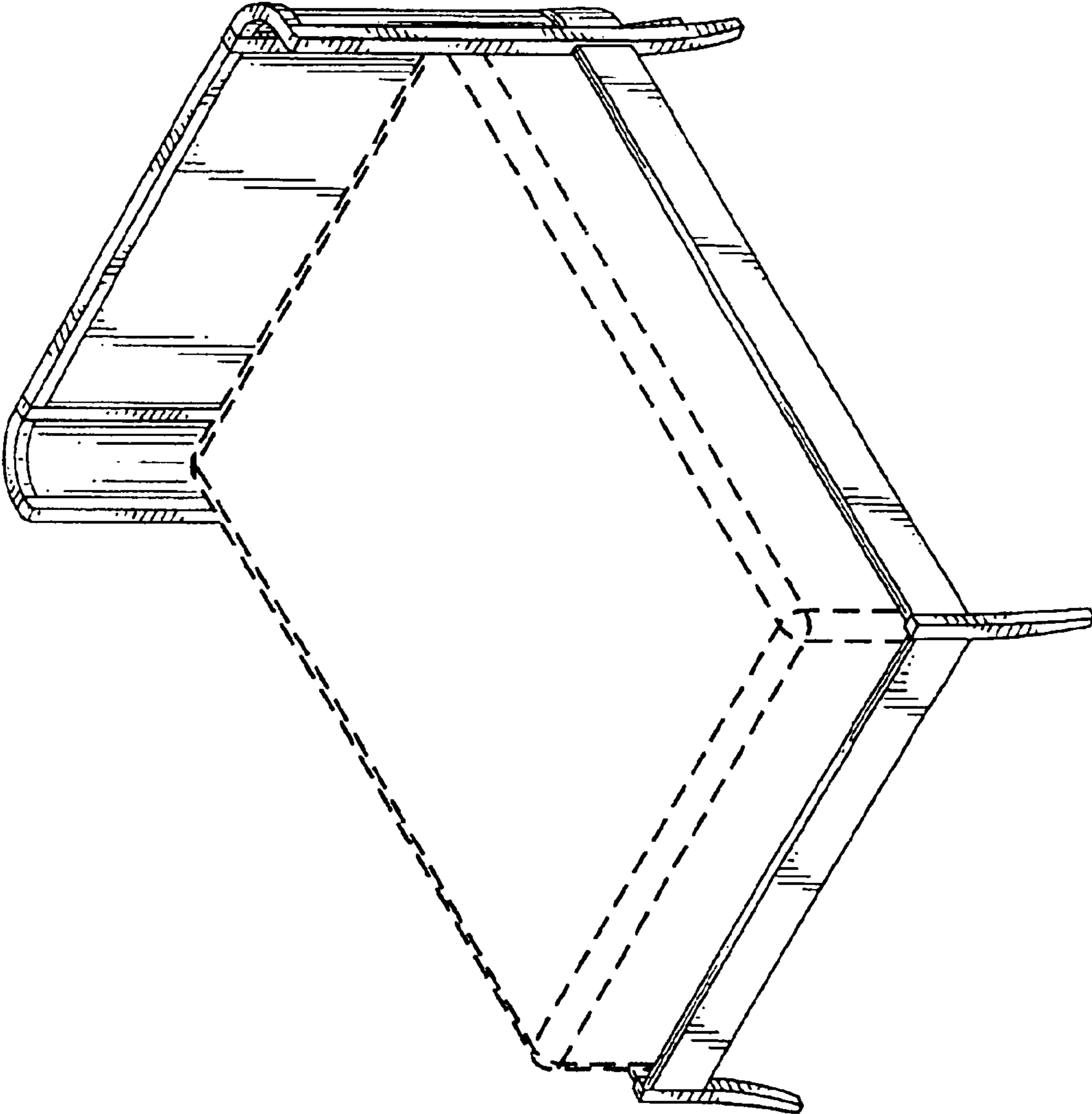


FIG.1

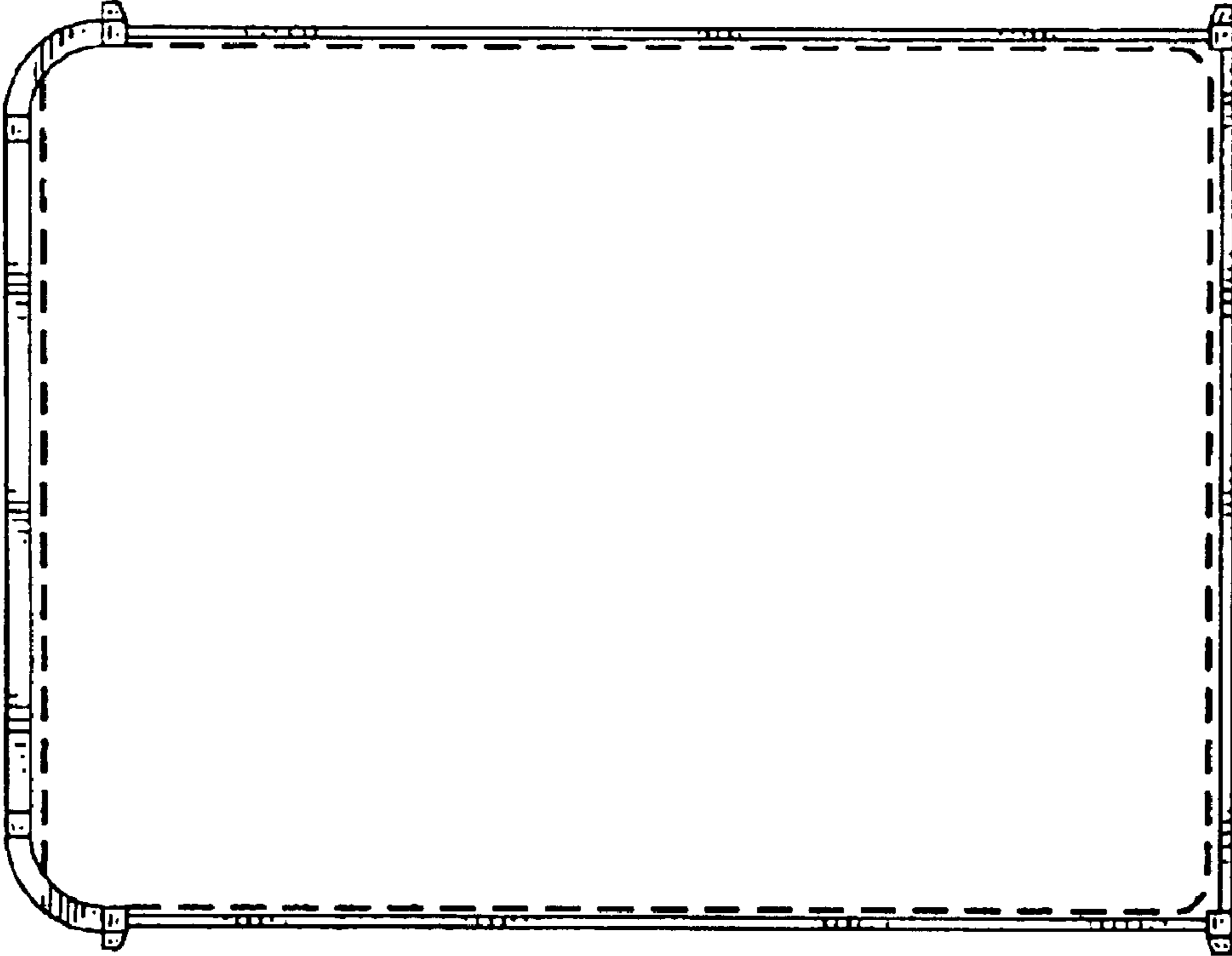


FIG.2

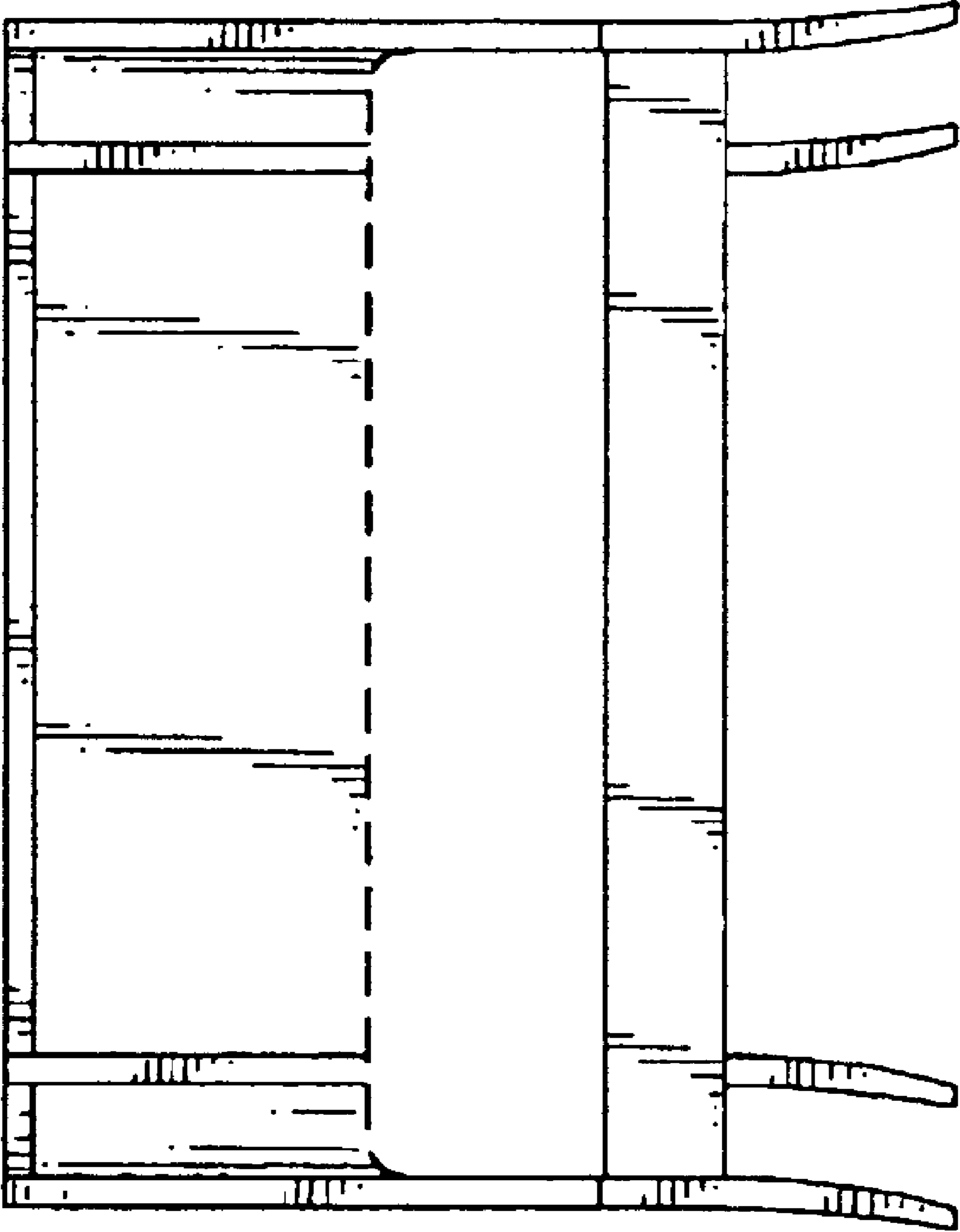


FIG. 3

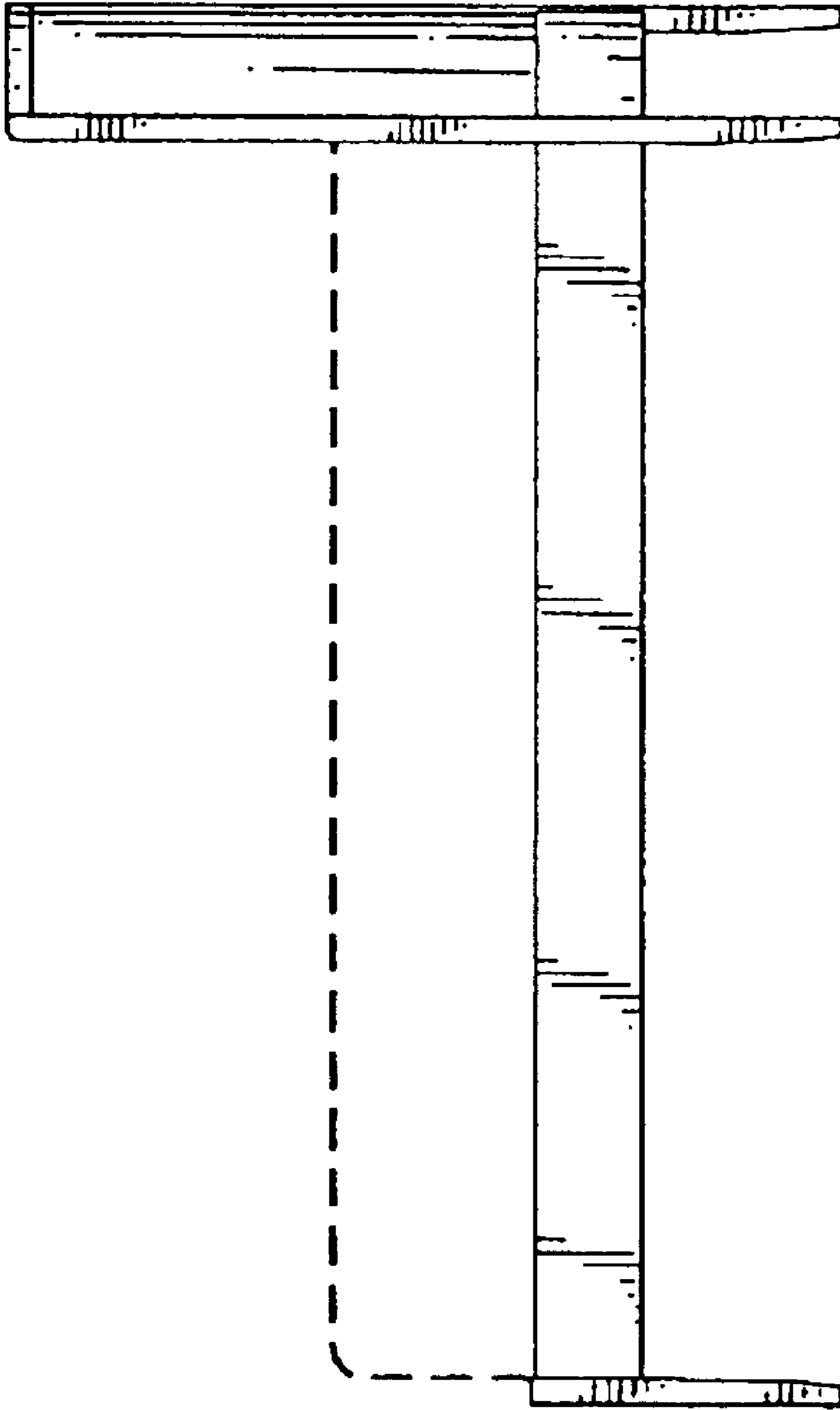


FIG.4

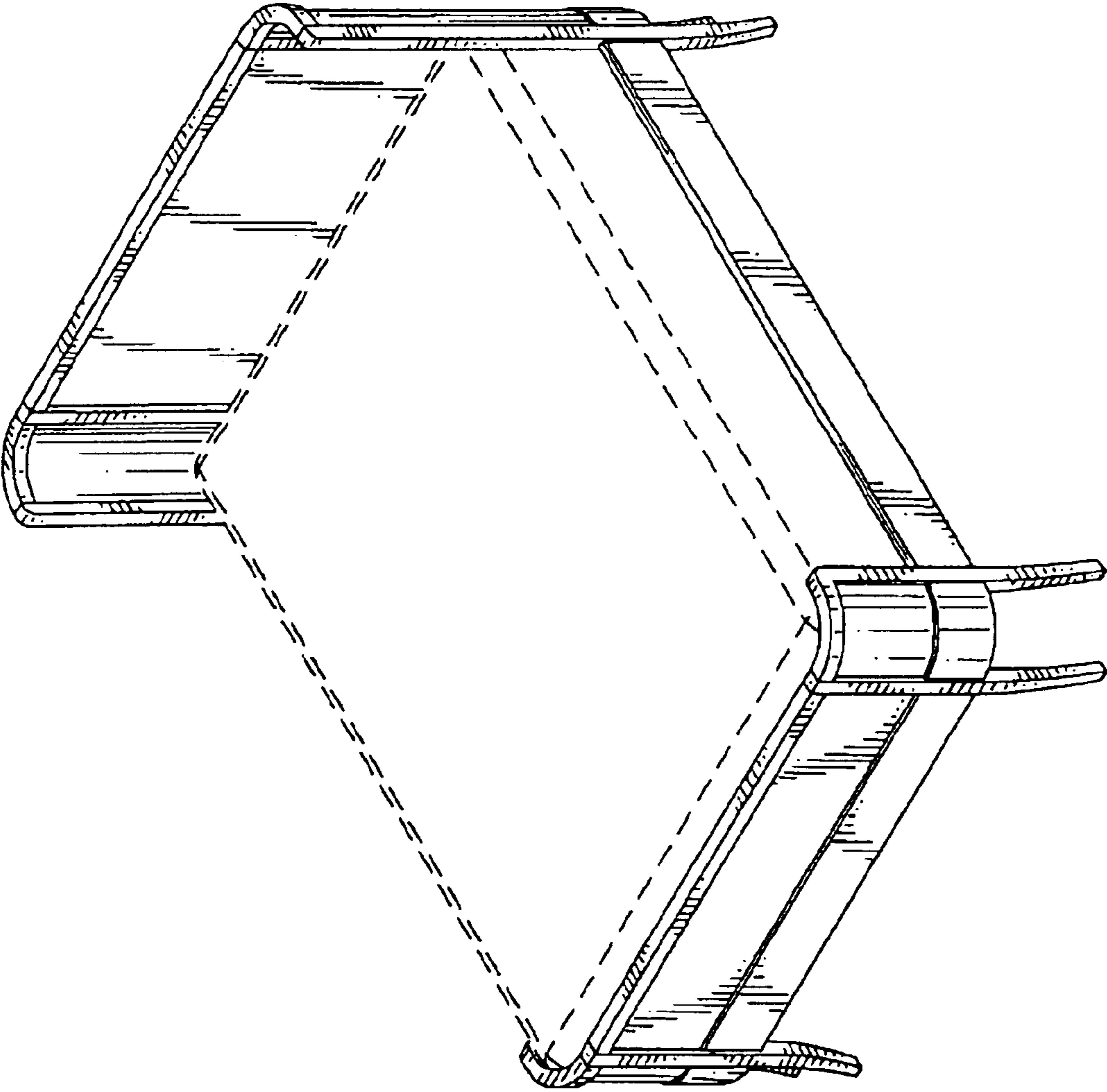


FIG.5