

US00D493974S1

(12) **United States Design Patent**
Chiu

(10) **Patent No.:** **US D493,974 S**

(45) **Date of Patent:** **** Aug. 10, 2004**

(54) **TRAVEL BASSINET**

D410,153 S * 5/1999 McAllister D6/390

(76) **Inventor:** **Li Man Chiu**, No.2, 3F Crown Ind.
Bldg, 106 How Ming Street, Kwun
Tong (HK)

* cited by examiner

Primary Examiner—Janice Seeger

(74) *Attorney, Agent, or Firm*—Wood, Phillips, Katz, Clark
& Mortimer

(**) **Term:** **14 Years**

(57) **CLAIM**

(21) **Appl. No.:** **29/179,147**

The ornamental design for a travel bassinet, substantially as
shown and described.

(22) **Filed:** **Apr. 4, 2003**

DESCRIPTION

(51) **LOC (7) Cl.** **06-01**

(52) **U.S. Cl.** **D6/390; D6/331**

(58) **Field of Search** D6/390, 391, 393,
D6/333, 331, 385, 389, 503; 5/93.1, 99.1,
101, 97, 98.1, 100, 946, 416

FIG. 1 is a perspective view of a travel bassinet showing my
new design;

FIG. 2 is a top plan view thereof;

FIG. 3 is a right side elevational view thereof;

FIG. 4 is a left side elevational view thereof;

FIG. 5 is a bottom plan view thereof;

FIG. 6 is a top end elevational view thereof; and,

FIG. 7 is a bottom end elevational view.

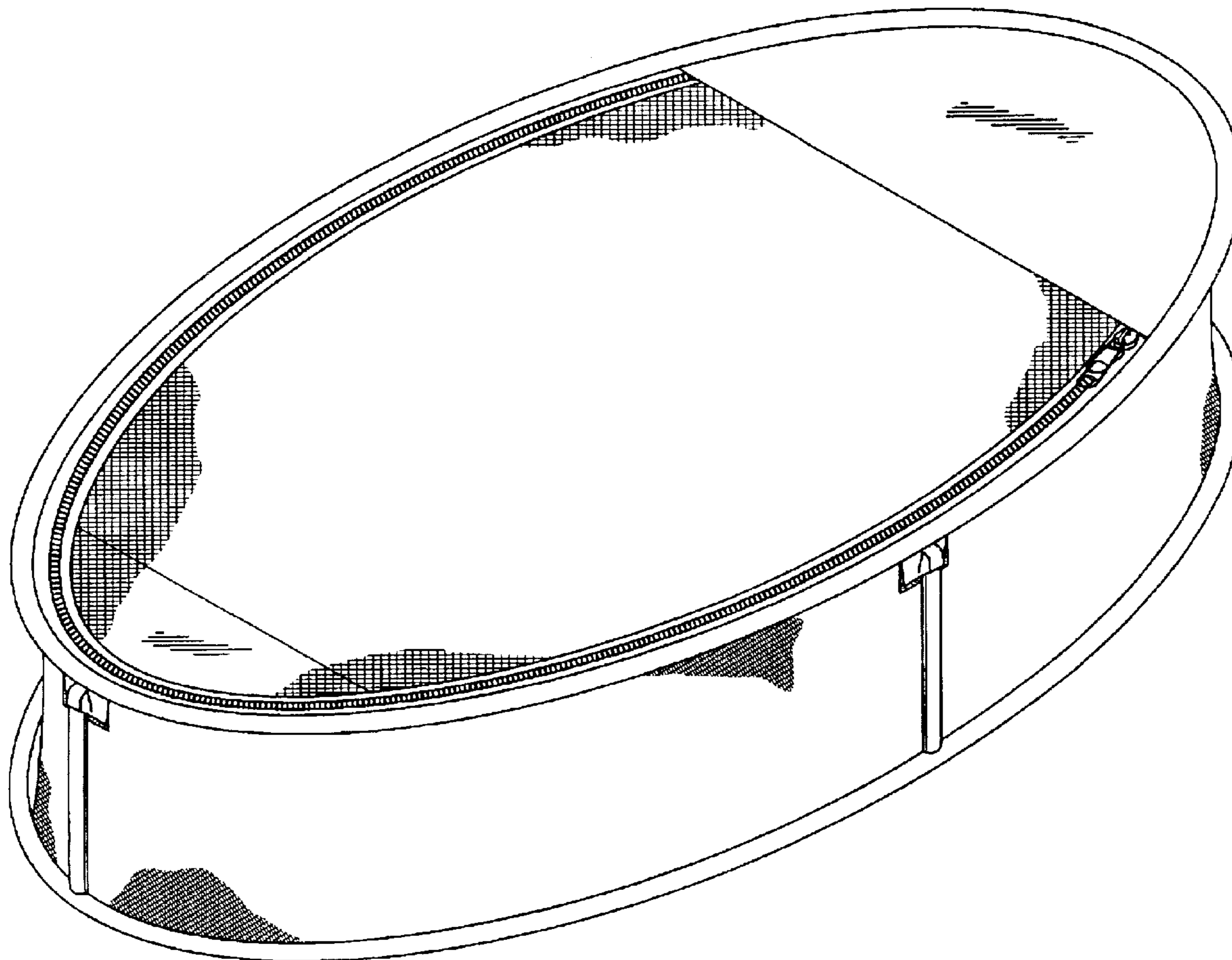
(56) **References Cited**

U.S. PATENT DOCUMENTS

D217,322 S * 4/1970 Ericksson D6/331

D394,978 S * 6/1998 Smith D6/604

1 Claim, 5 Drawing Sheets



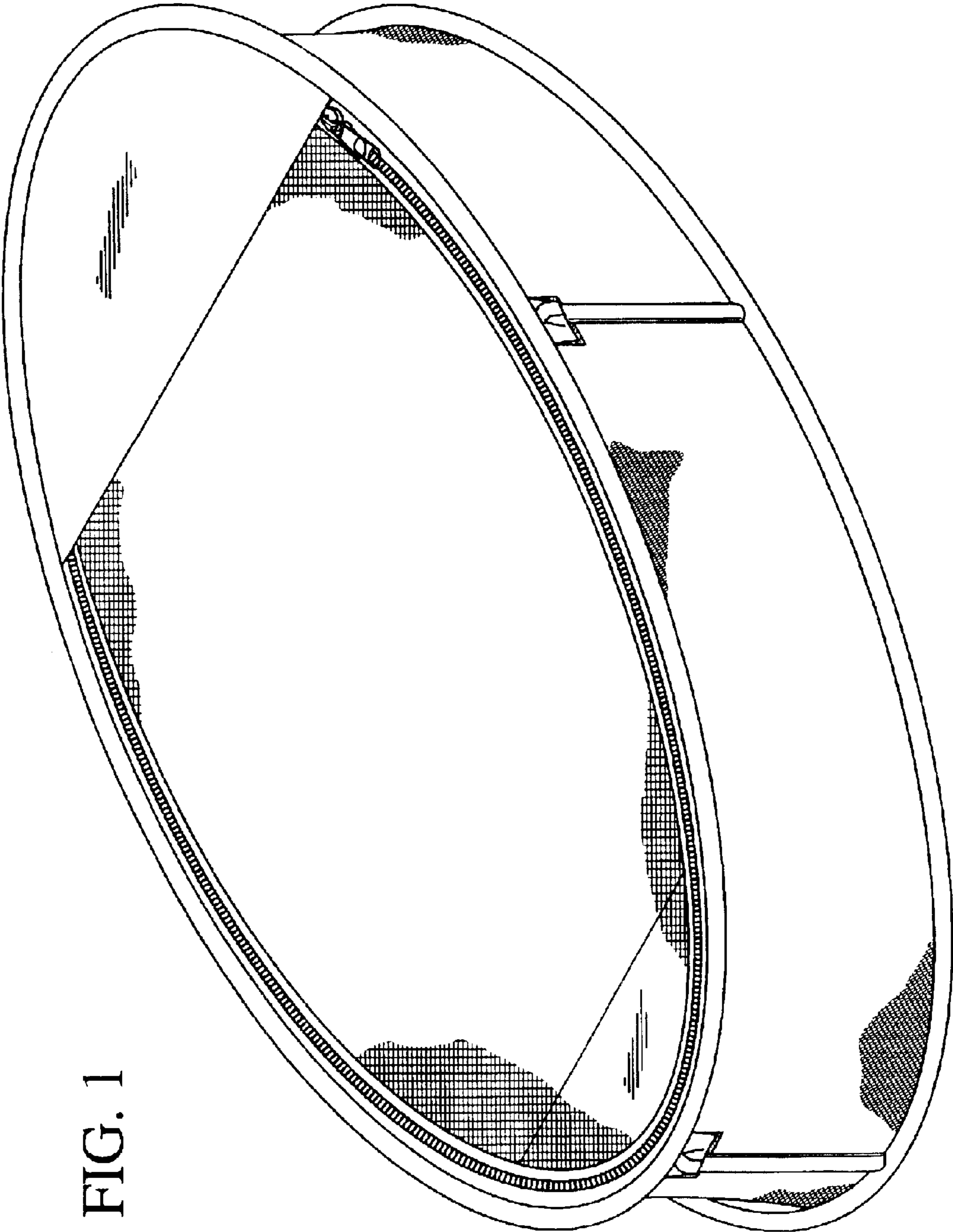


FIG. 1

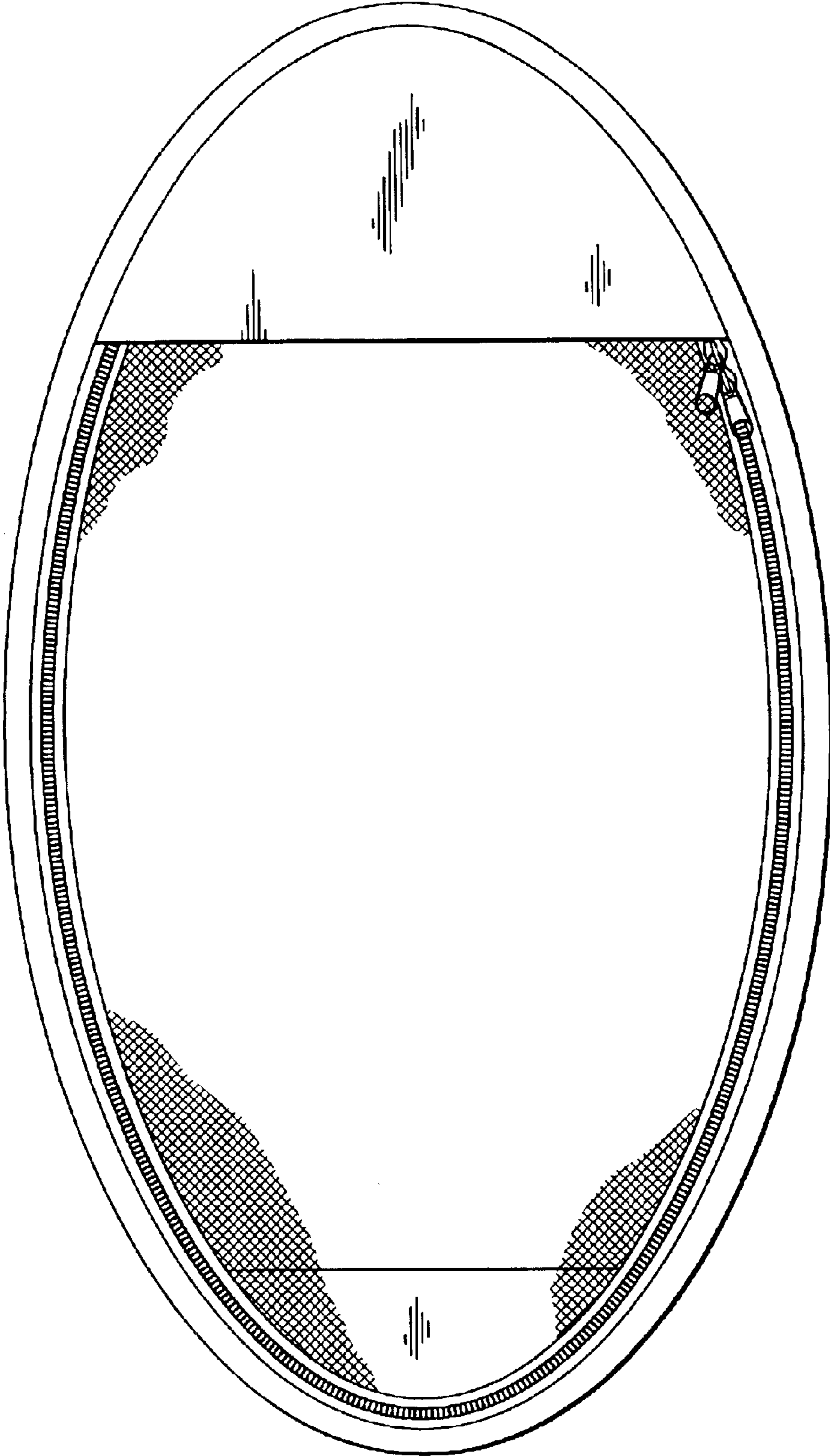


FIG. 2

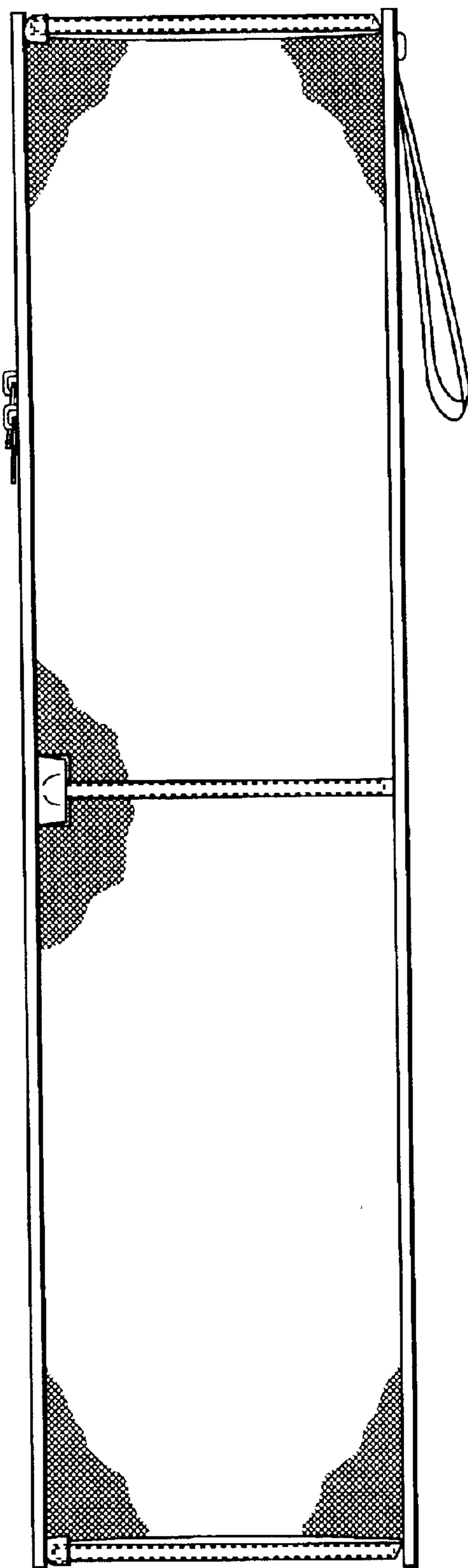


FIG. 3

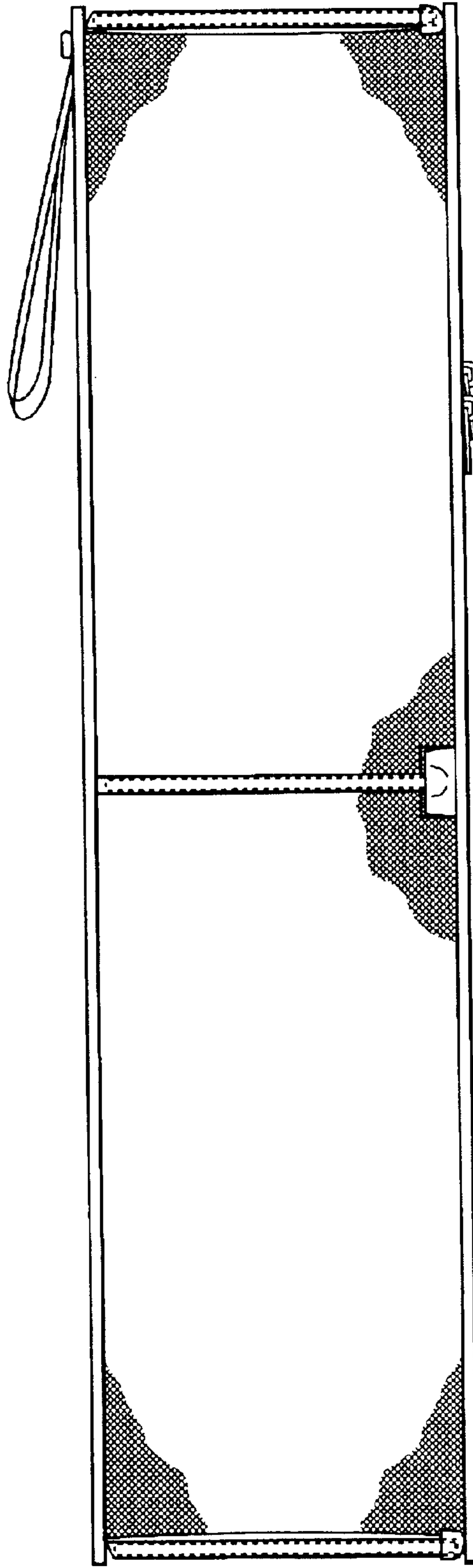


FIG. 4

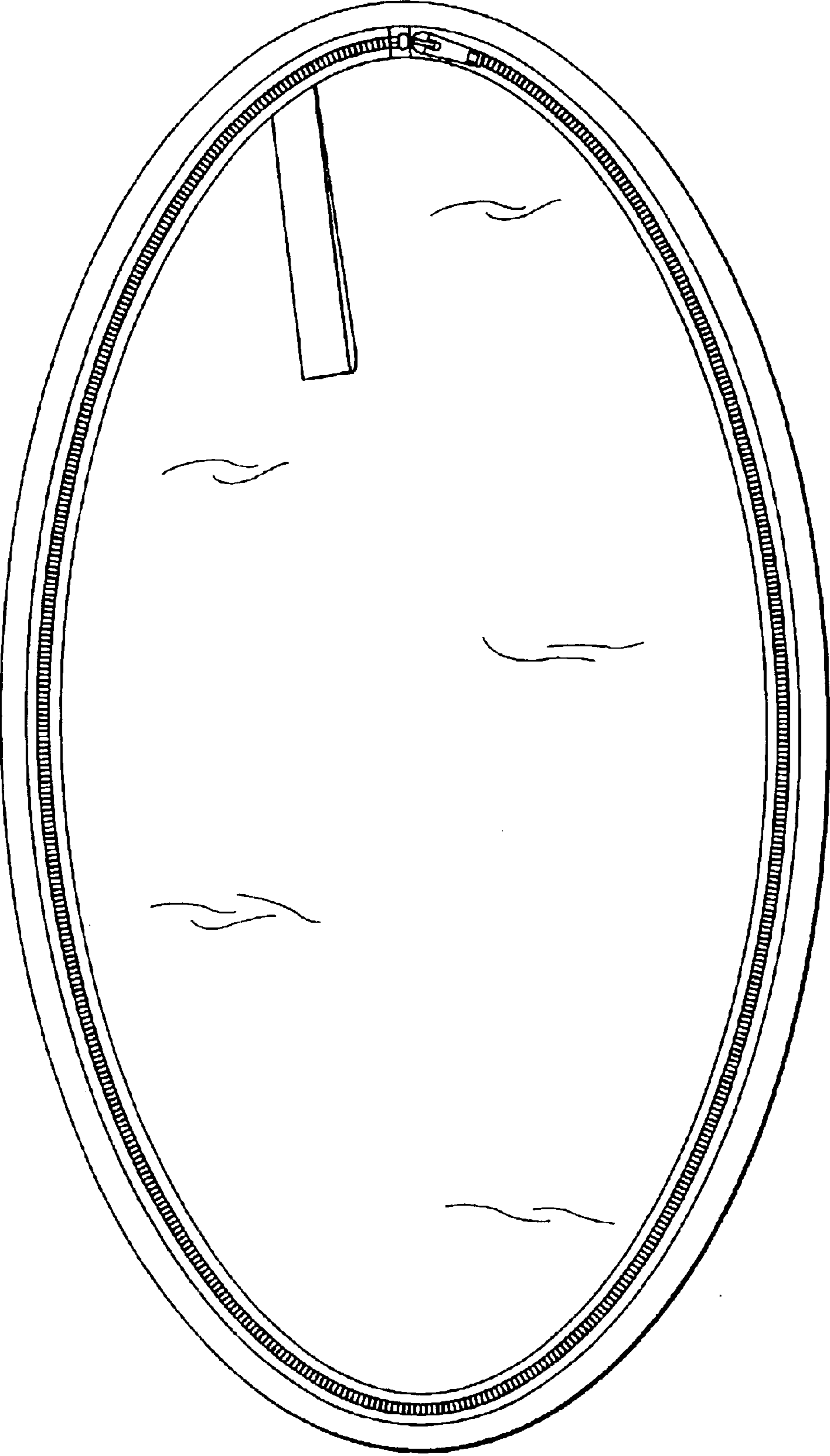


FIG. 5

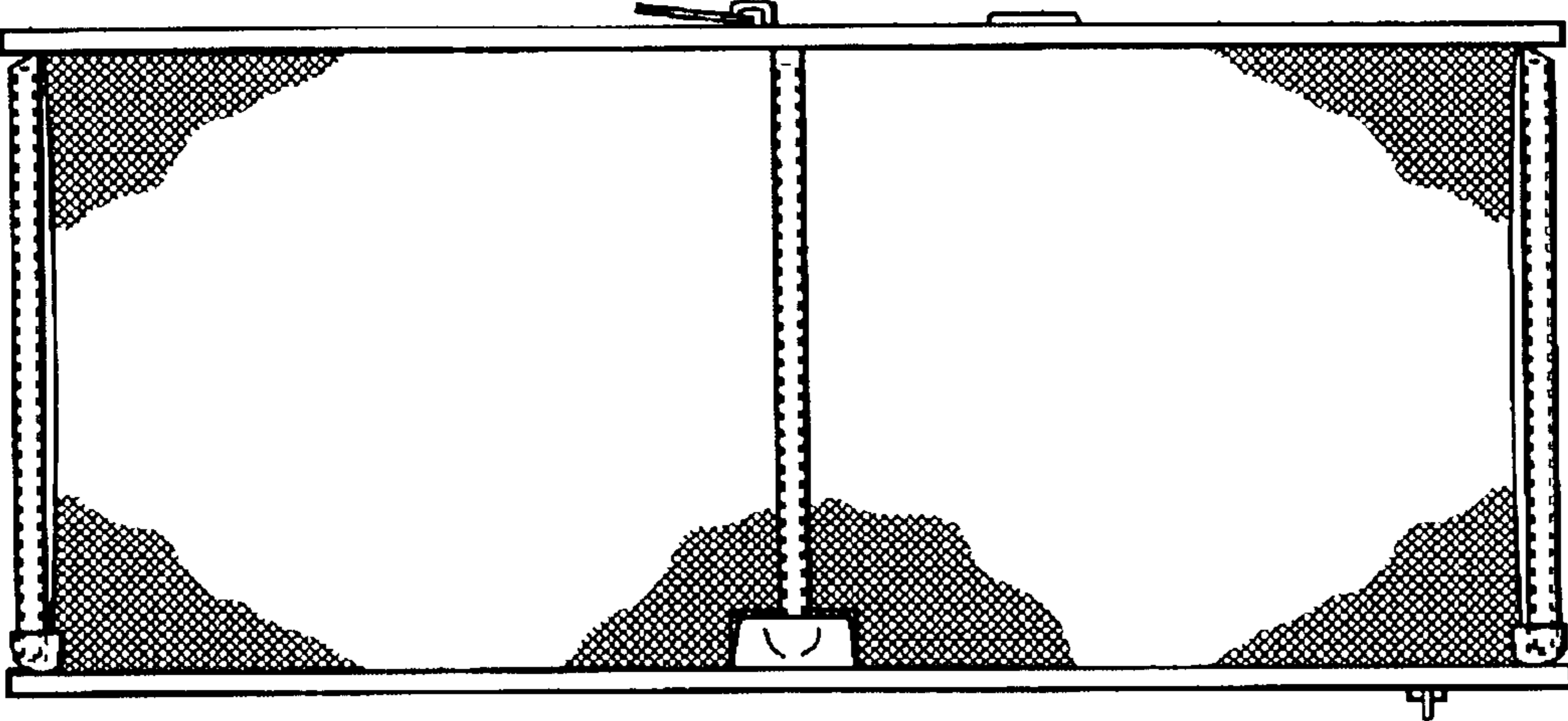


FIG. 6

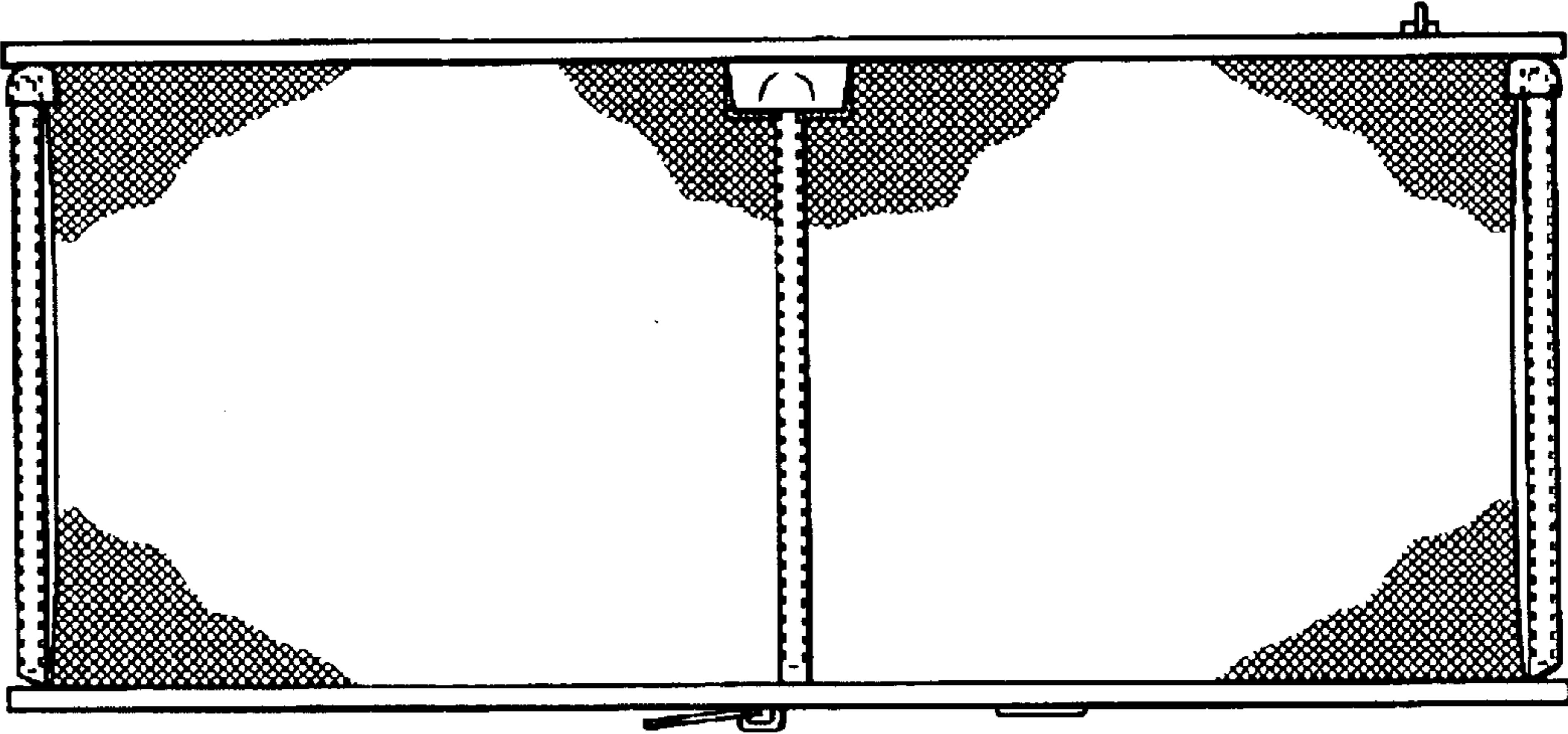


FIG. 7