

US00D493971S1

(12) **United States Design Patent**
Willy

(10) **Patent No.: US D493,971 S**
(45) **Date of Patent: ** Aug. 10, 2004**

- (54) **CHAIR**
- (76) Inventor: **Scott Willy**, 1870 E. 106th St., Carmel, IN (US) 46032
- (**) Term: **14 Years**
- (21) Appl. No.: **29/190,069**
- (22) Filed: **Sep. 15, 2003**

| | | | | |
|--------------|---|---------|------------|------------|
| 3,788,700 A | * | 1/1974 | Wartes | 297/440.13 |
| 4,082,356 A | | 4/1978 | Johnson | |
| 4,140,065 A | | 2/1979 | Chacon | |
| 4,145,827 A | | 3/1979 | Katsufakis | |
| 4,165,527 A | | 8/1979 | Paice | |
| 5,082,329 A | | 1/1992 | Mars | |
| 5,263,766 A | | 11/1993 | McCullough | |
| 5,653,531 A | | 8/1997 | Yang | |
| 5,803,548 A | | 9/1998 | Battle | |
| 5,992,938 A | | 11/1999 | Jones | |
| 6,264,349 B1 | | 7/2001 | Morter | |

Related U.S. Application Data

- (63) Continuation-in-part of application No. 10/199,875, filed on Jul. 19, 2002, now Pat. No. 6,619,749.
- (51) **LOC (7) Cl. 06-01**
- (52) **U.S. Cl. D6/368**
- (58) **Field of Search** D6/334, 335, 368, D6/371, 374, 375, 500-502; 297/440.1, 440.13

* cited by examiner

Primary Examiner—Stacia Cadmus
Assistant Examiner—Mimosa De
(74) *Attorney, Agent, or Firm*—Maginot, Moore & Beck

(57) **CLAIM**

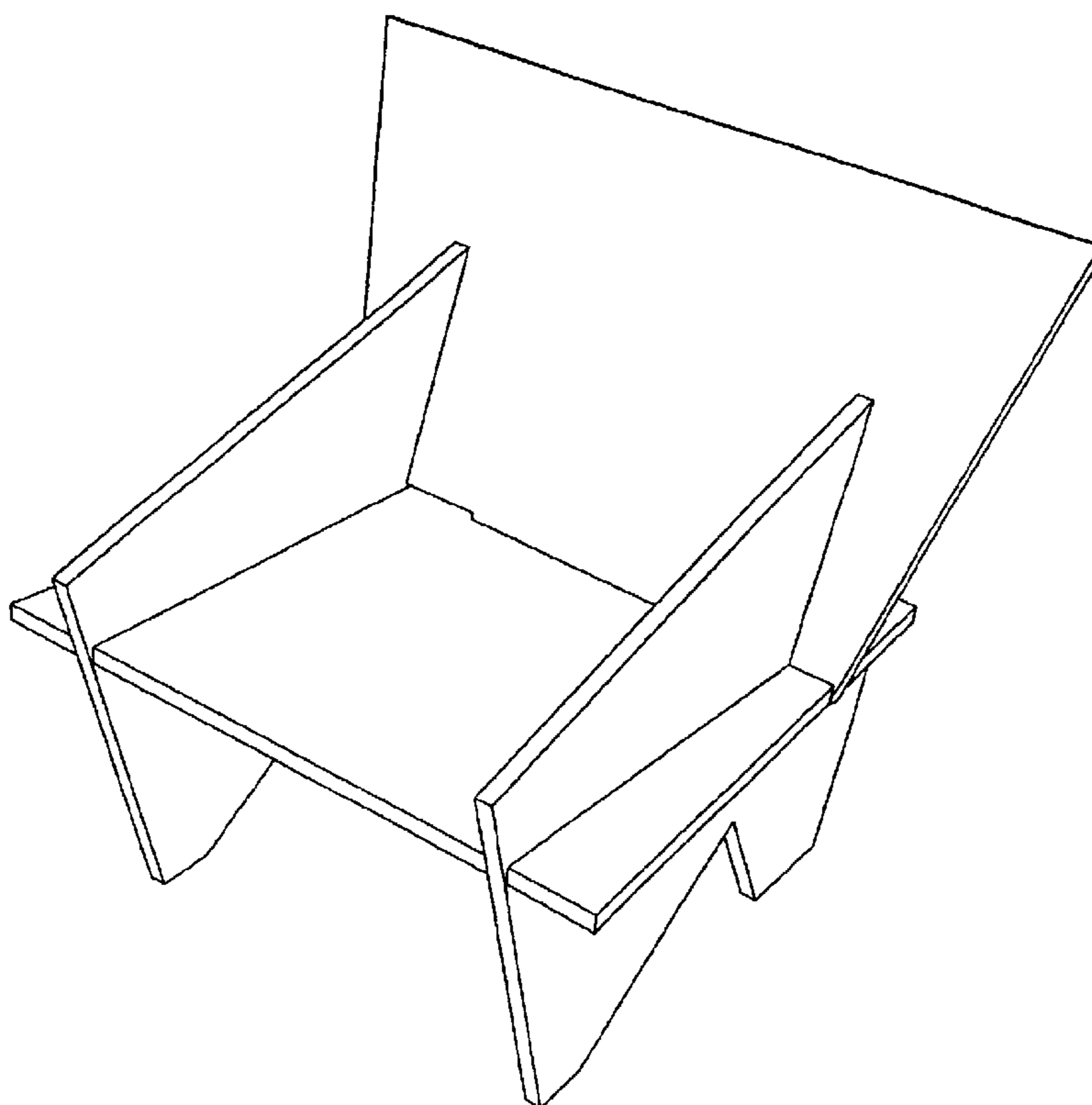
The ornamental designs for chair, as shown and described.

DESCRIPTION

FIG. 1 is a perspective view of a chair showing my new design.
FIG. 2 is a front elevational view thereof.
FIG. 3 is a back elevational view thereof.
FIG. 4 is a side elevational view thereof, with the opposite side view being a mirror image.
FIG. 5 is a bottom elevational view thereof; and,
FIG. 6 is a top elevational view thereof.

- (56) **References Cited**
- U.S. PATENT DOCUMENTS**
- D134,806 S * 1/1943 Brown et al. D6/368
- 2,334,912 A 11/1943 Eide
- D144,730 S * 5/1946 Perrault D6/374
- 2,543,875 A 3/1951 Silverman
- 2,825,101 A 3/1958 Rubenstein
- 2,990,010 A * 6/1961 Lincoln 297/440.1
- 3,488,527 A 1/1970 Ruegg
- 3,527,497 A 9/1970 Self

1 Claim, 3 Drawing Sheets



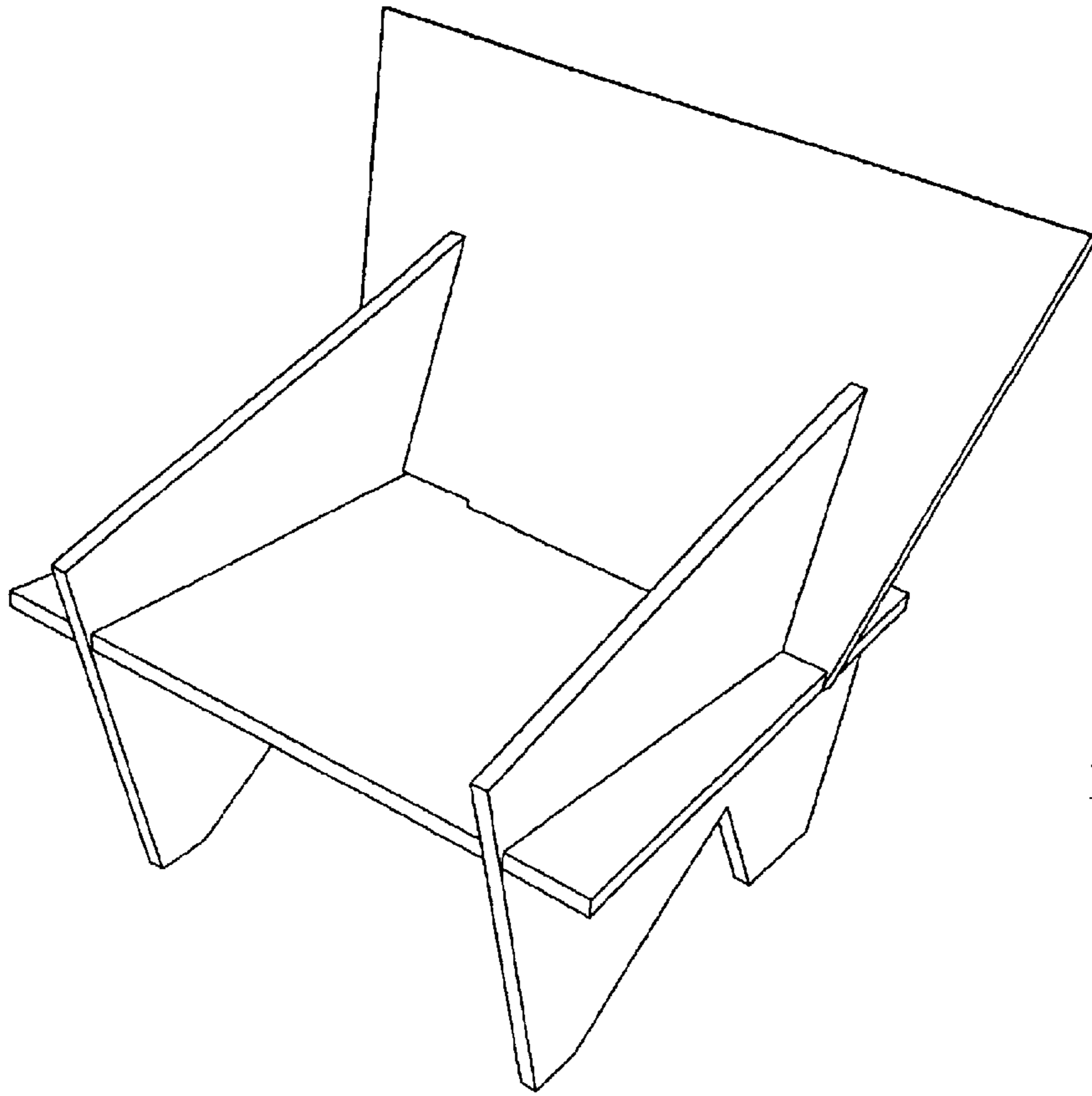


FIG. 1

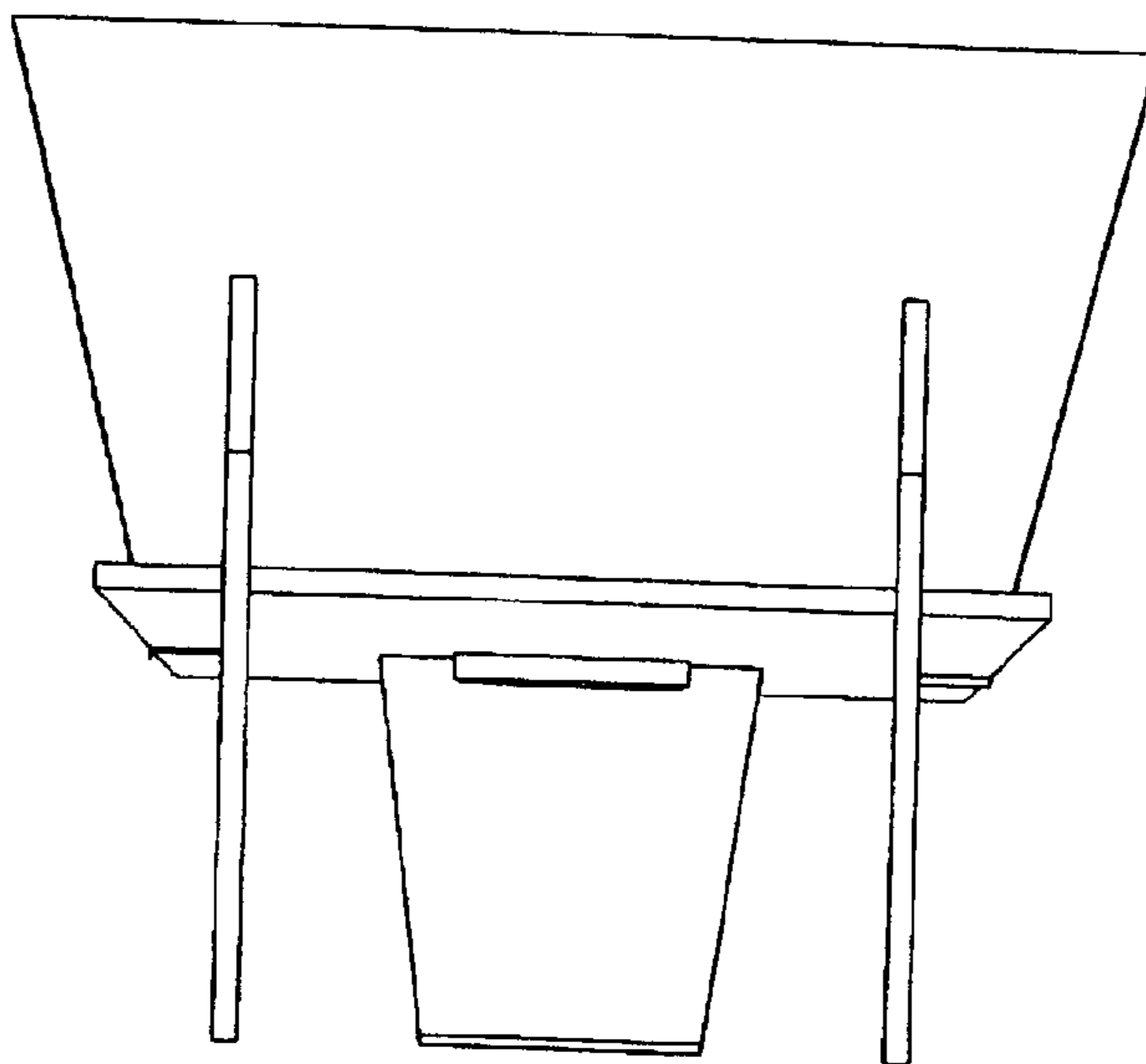


FIG. 2

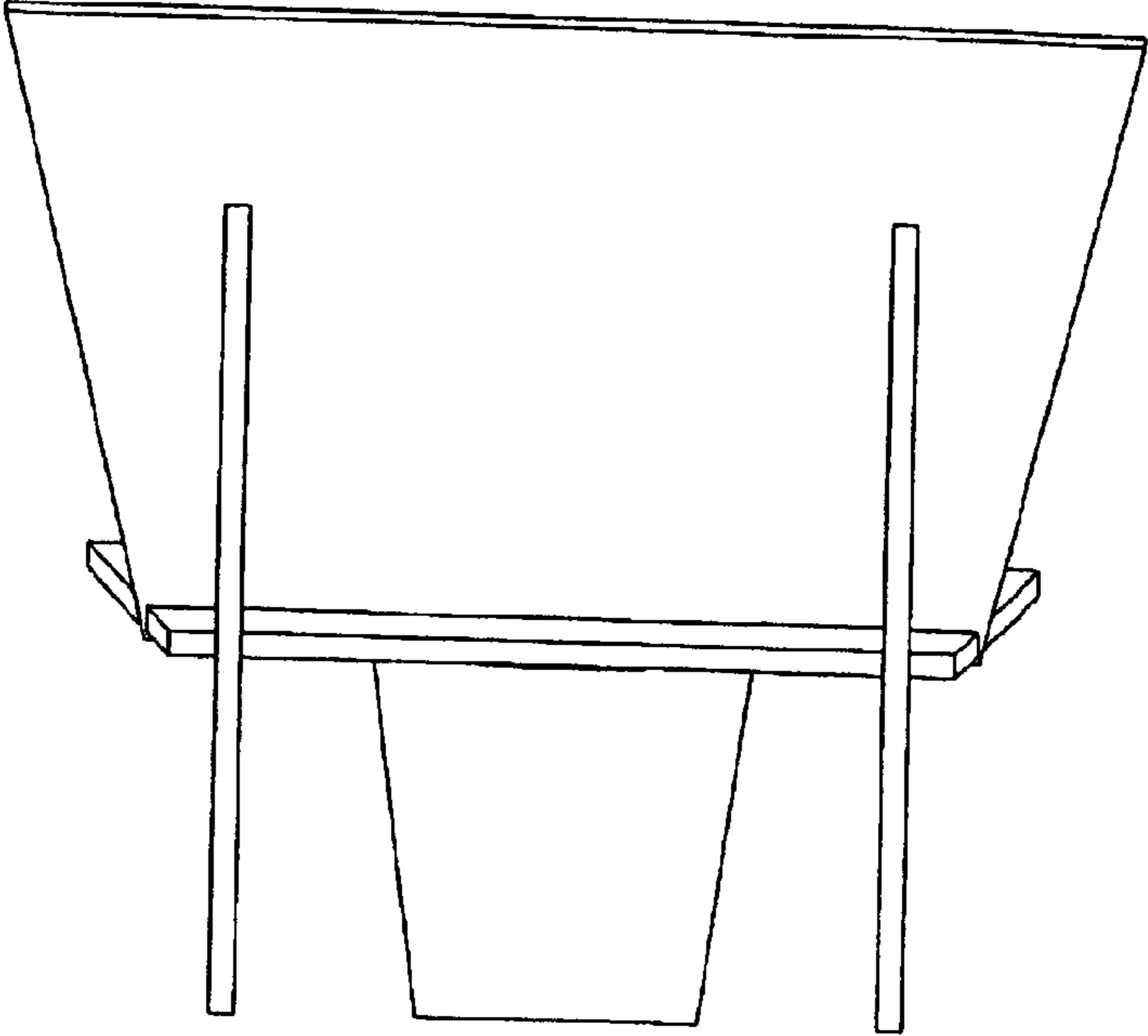


FIG. 3

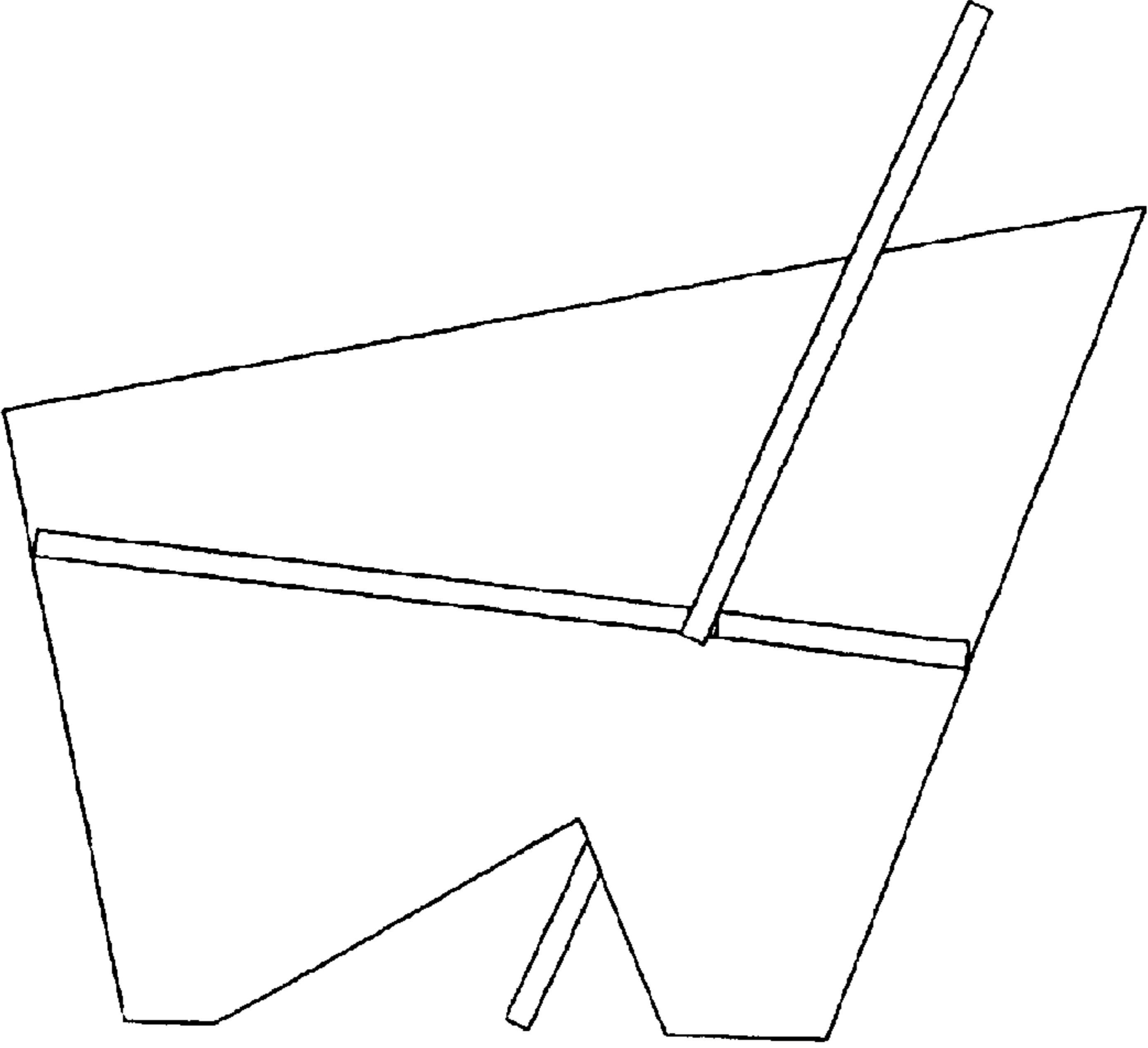


FIG. 4

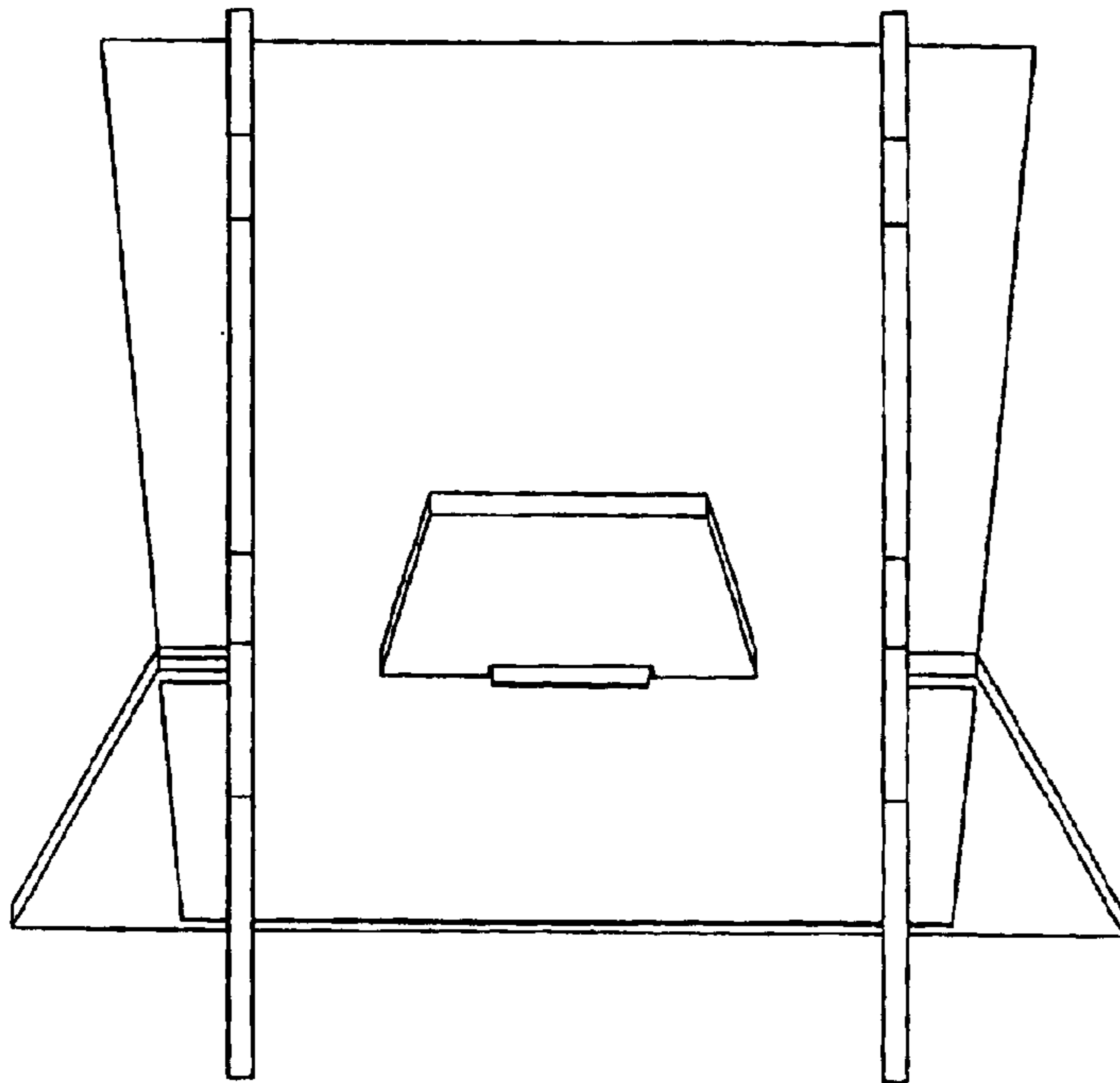


FIG. 5

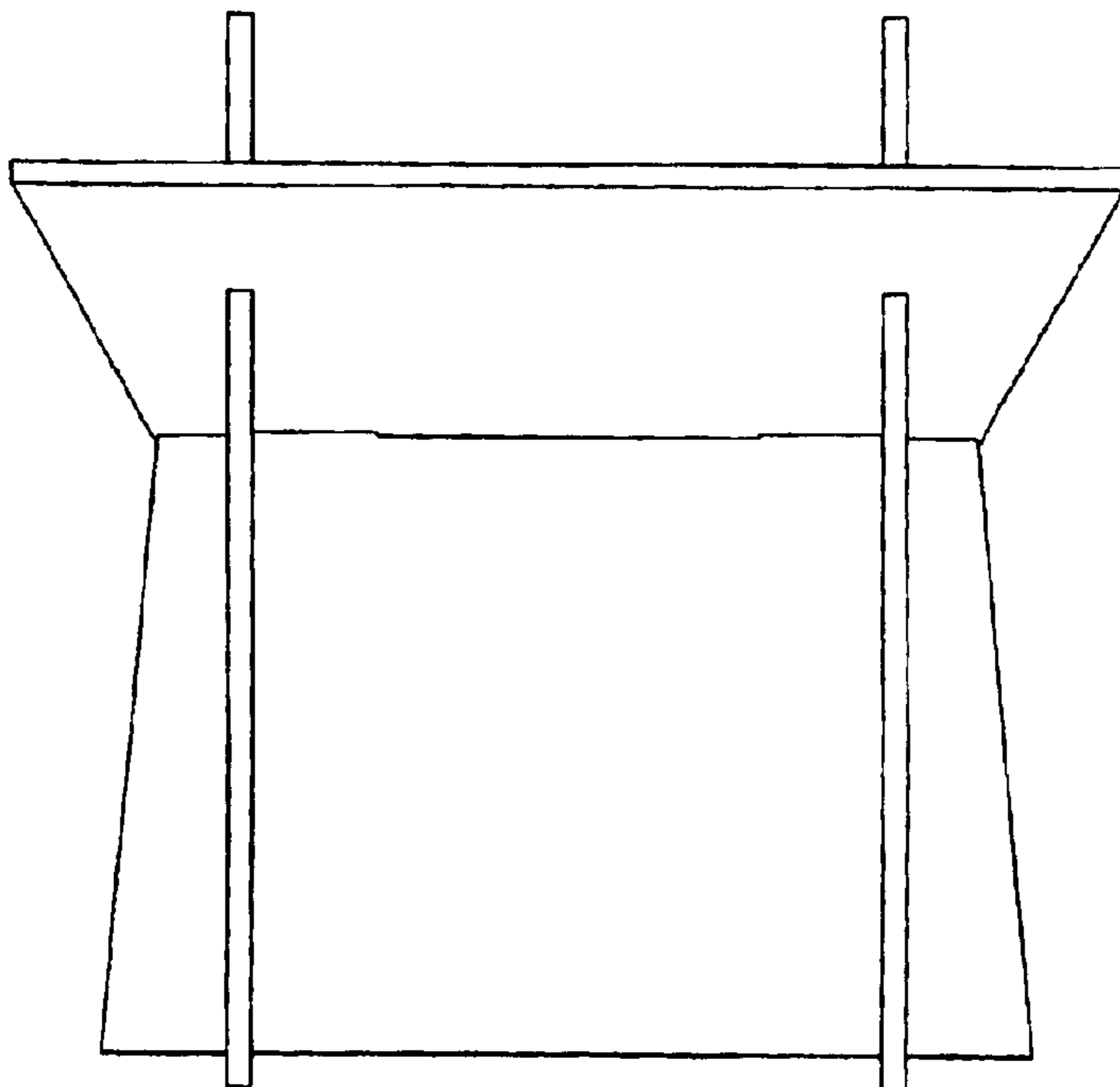


FIG. 6