

US00D493966S1

(12) **United States Design Patent** (10) **Patent No.:** **US D493,966 S**
Rach (45) **Date of Patent:** **** Aug. 10, 2004**

- (54) **OTTOMAN**
- (75) **Inventor:** **Bryan W. Rach**, Winnipeg (CA)
- (73) **Assignee:** **Palliser Furniture Ltd.**, Winnipeg (CA)
- (**) **Term:** **14 Years**
- (21) **Appl. No.:** **29/189,211**
- (22) **Filed:** **Aug. 29, 2003**
- (51) **LOC (7) Cl.** **06-01**
- (52) **U.S. Cl.** **D6/349**
- (58) **Field of Search** D6/349-353, 336;
297/461, 462, 181, 423.1, 423.39, 423.41,
188.01, 188.08, 188.11

(56) **References Cited**

U.S. PATENT DOCUMENTS

D253,377 S	*	11/1979	Spound et al.	D6/352
D253,378 S	*	11/1979	Spound et al.	D6/349
D265,529 S	*	7/1982	Mascheroni	D6/352
4,883,317 A	*	11/1989	Davenport	297/188.1
6,145,931 A	*	11/2000	Subotic	297/423.2

* cited by examiner

Primary Examiner—Janice Seeger
(74) *Attorney, Agent, or Firm*—Clifford W. Browning;
Woodard, Emhardt, Moriarty, McNett & Henry LLP

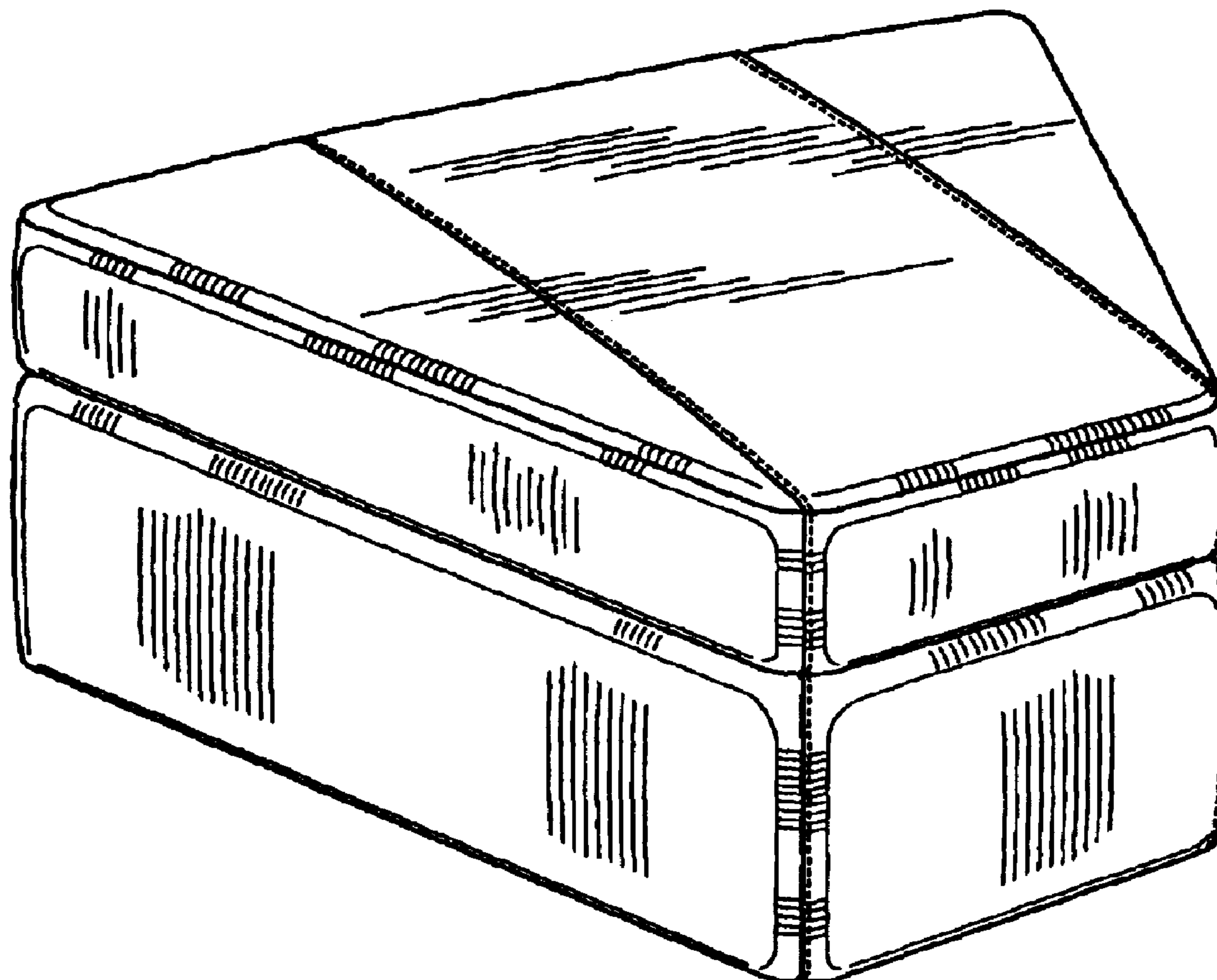
(57) **CLAIM**

The ornamental design for an ottoman, as shown and described.

DESCRIPTION

FIG. 1 is a front perspective view of an ottoman embodying my design;
 FIG. 2 is a left side view of the ottoman of FIG. 1;
 FIG. 3 is a front view of the ottoman of FIG. 1;
 FIG. 4 is a right side view of the ottoman of FIG. 1;
 FIG. 5 is a rear view of the ottoman of FIG. 1;
 FIG. 6 is a plan view of the ottoman of FIG. 1;
 FIG. 7 is a rear view of an alternate embodiment of my design;
 FIG. 8 is a rear perspective view of the design of FIG. 7, with a drawer shown in a closed position; and,
 FIG. 9 is a rear perspective view of the design of FIG. 7, with a drawer shown in an open position.

1 Claim, 3 Drawing Sheets



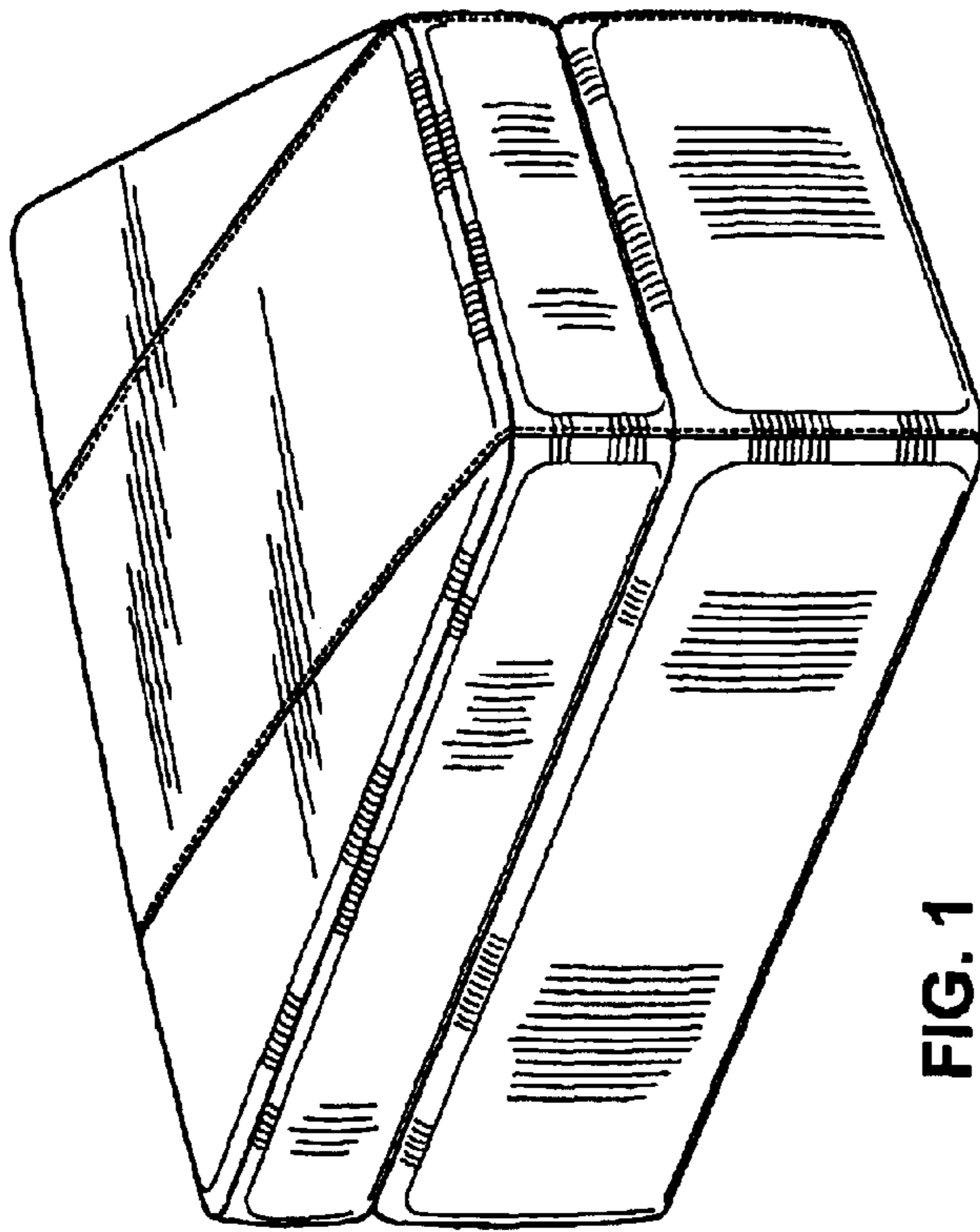


FIG. 1

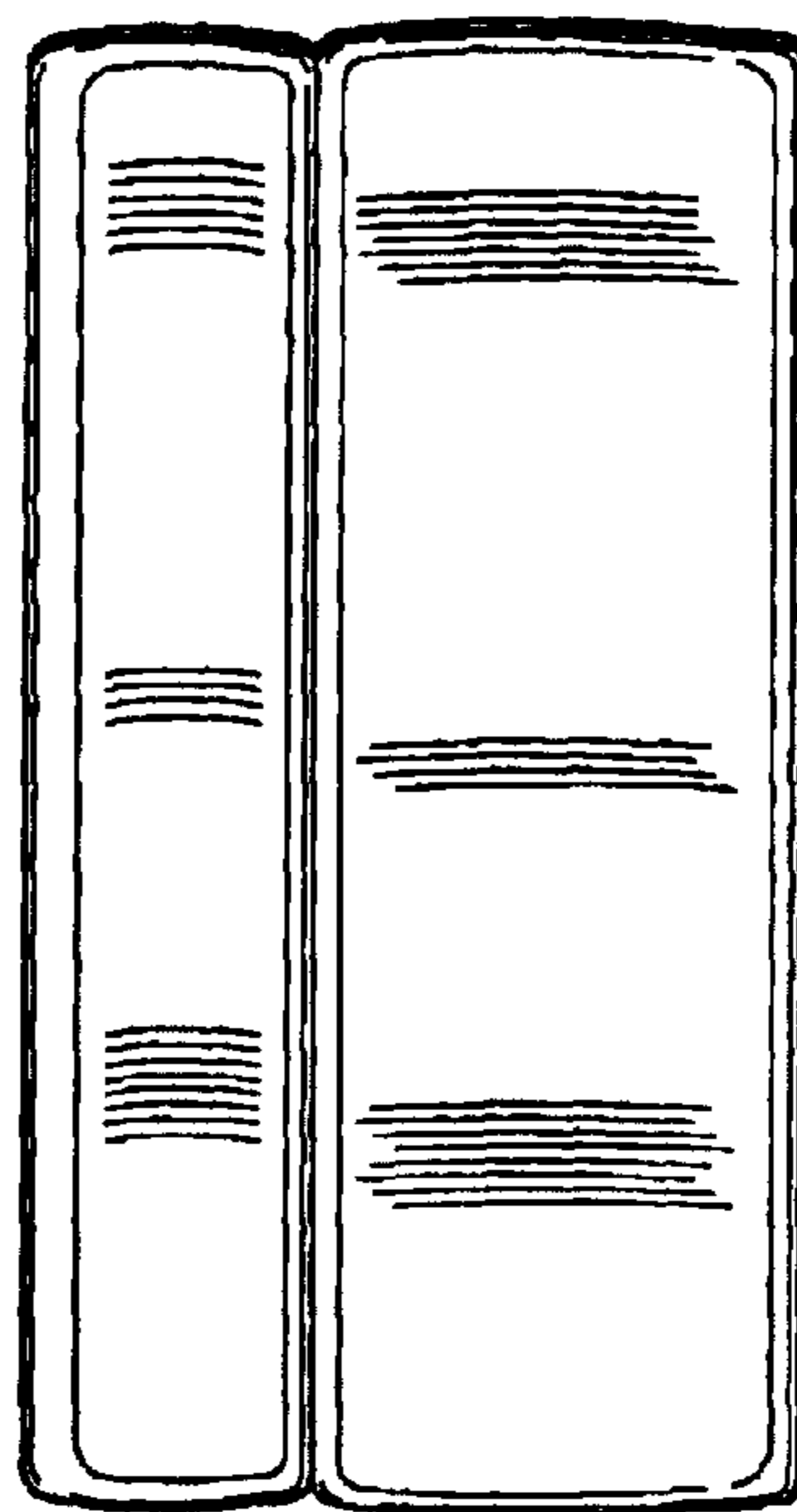


FIG. 2

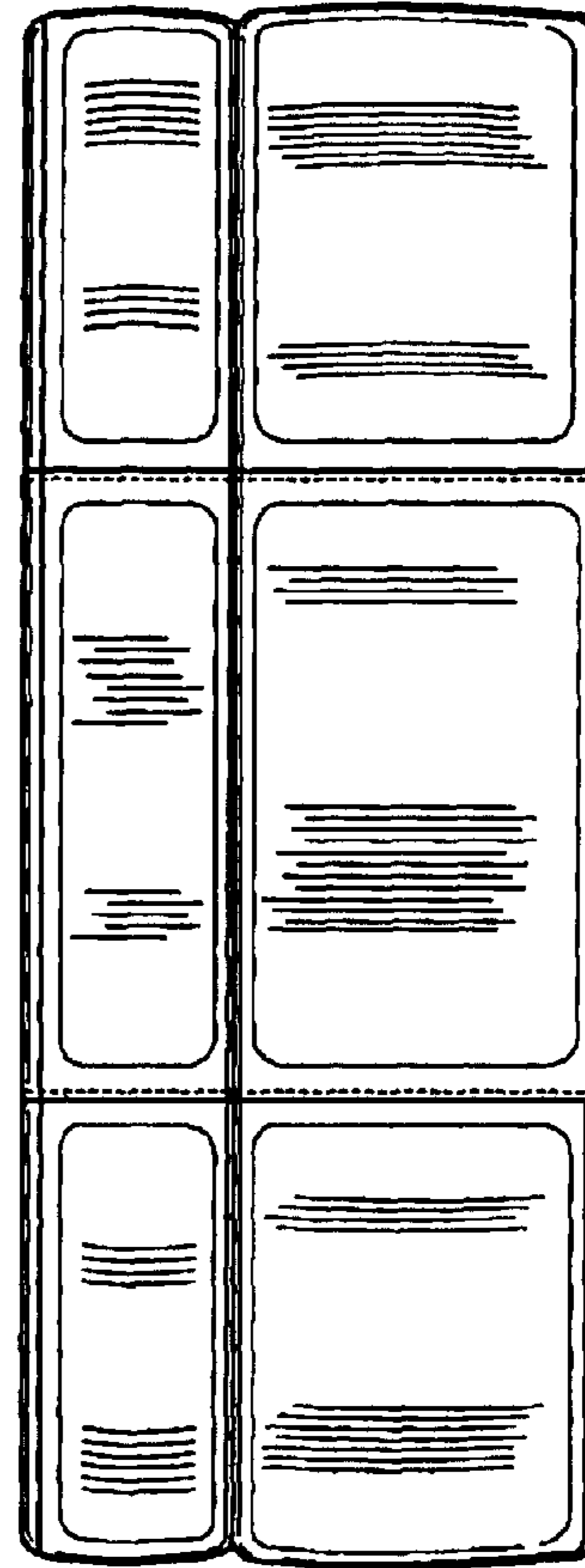


FIG. 3

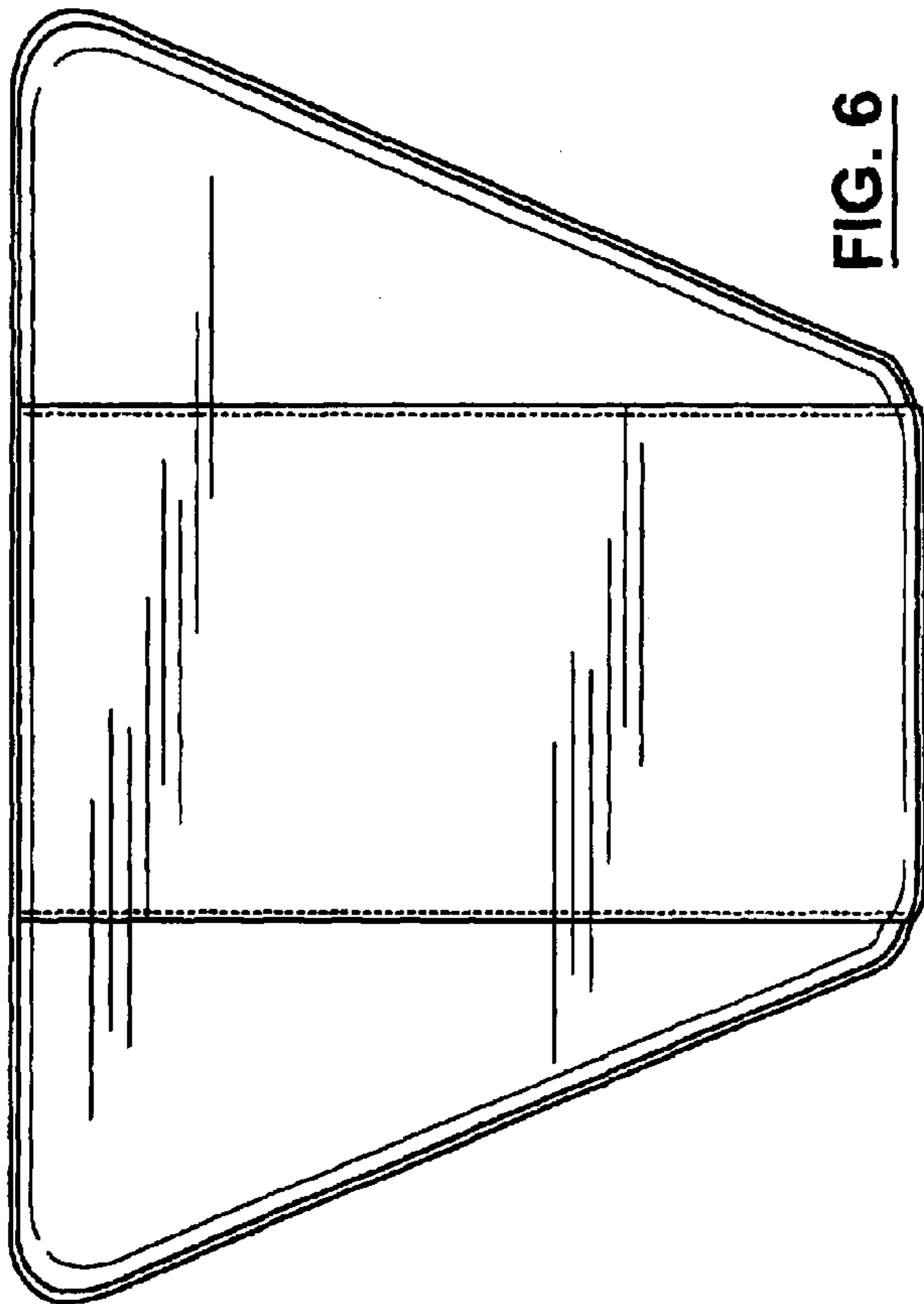


FIG. 6

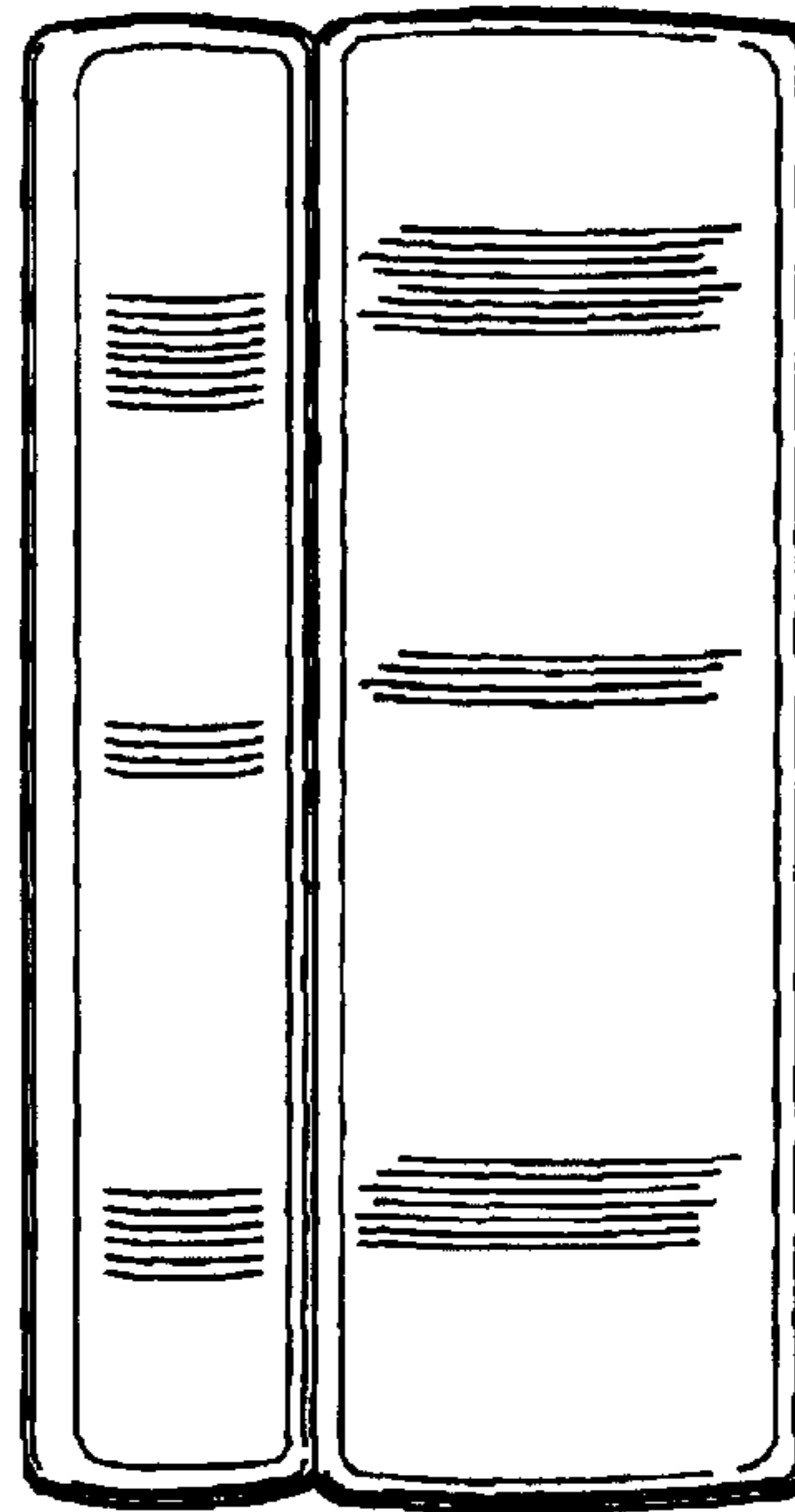


FIG. 4

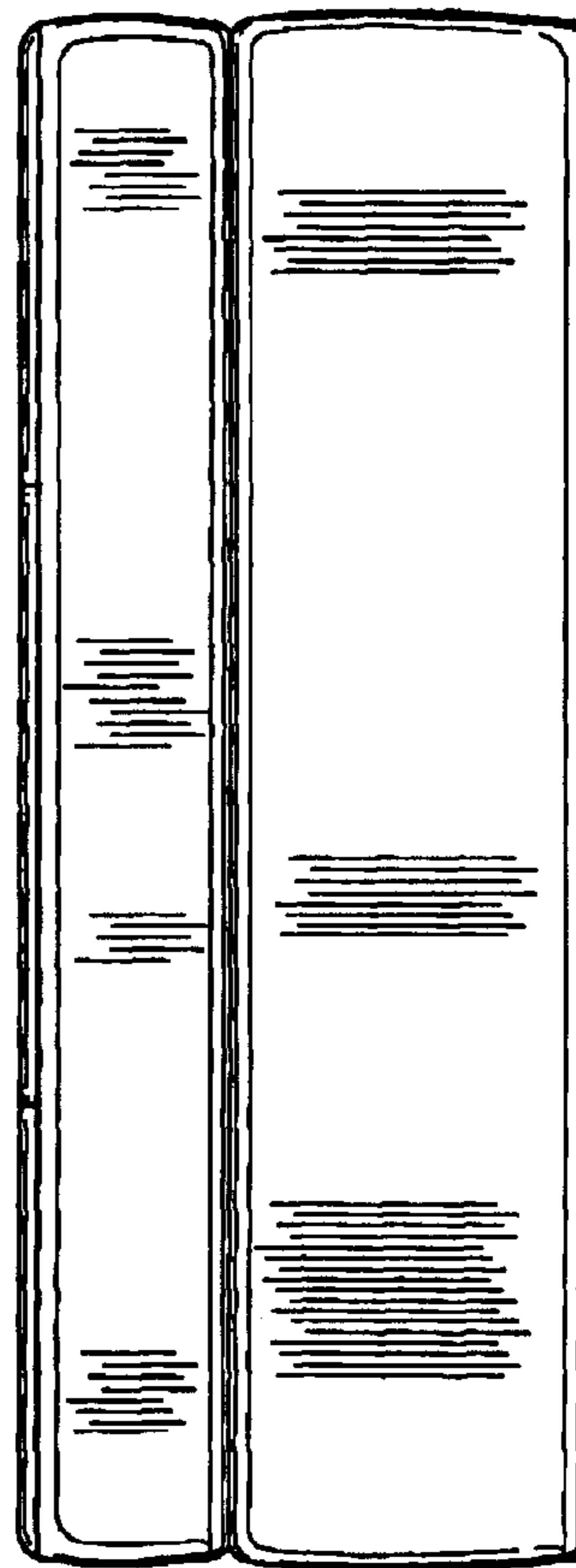


FIG. 5

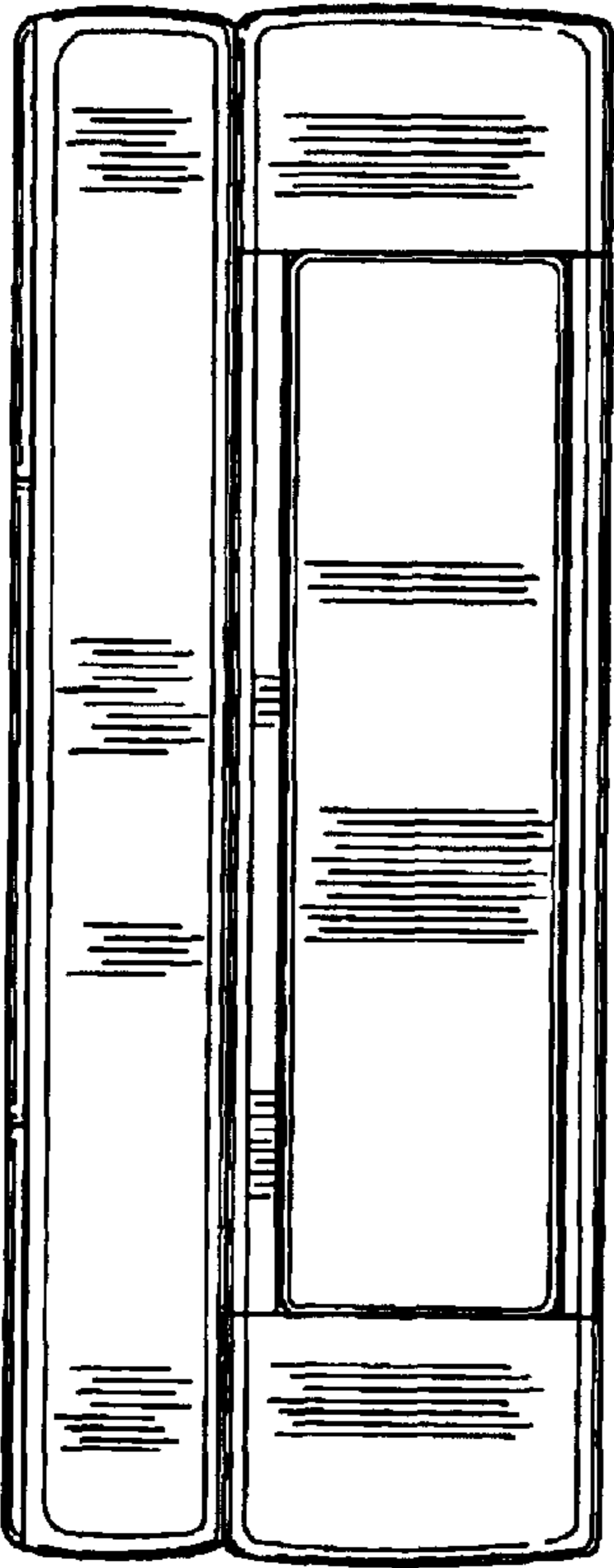


FIG. 7

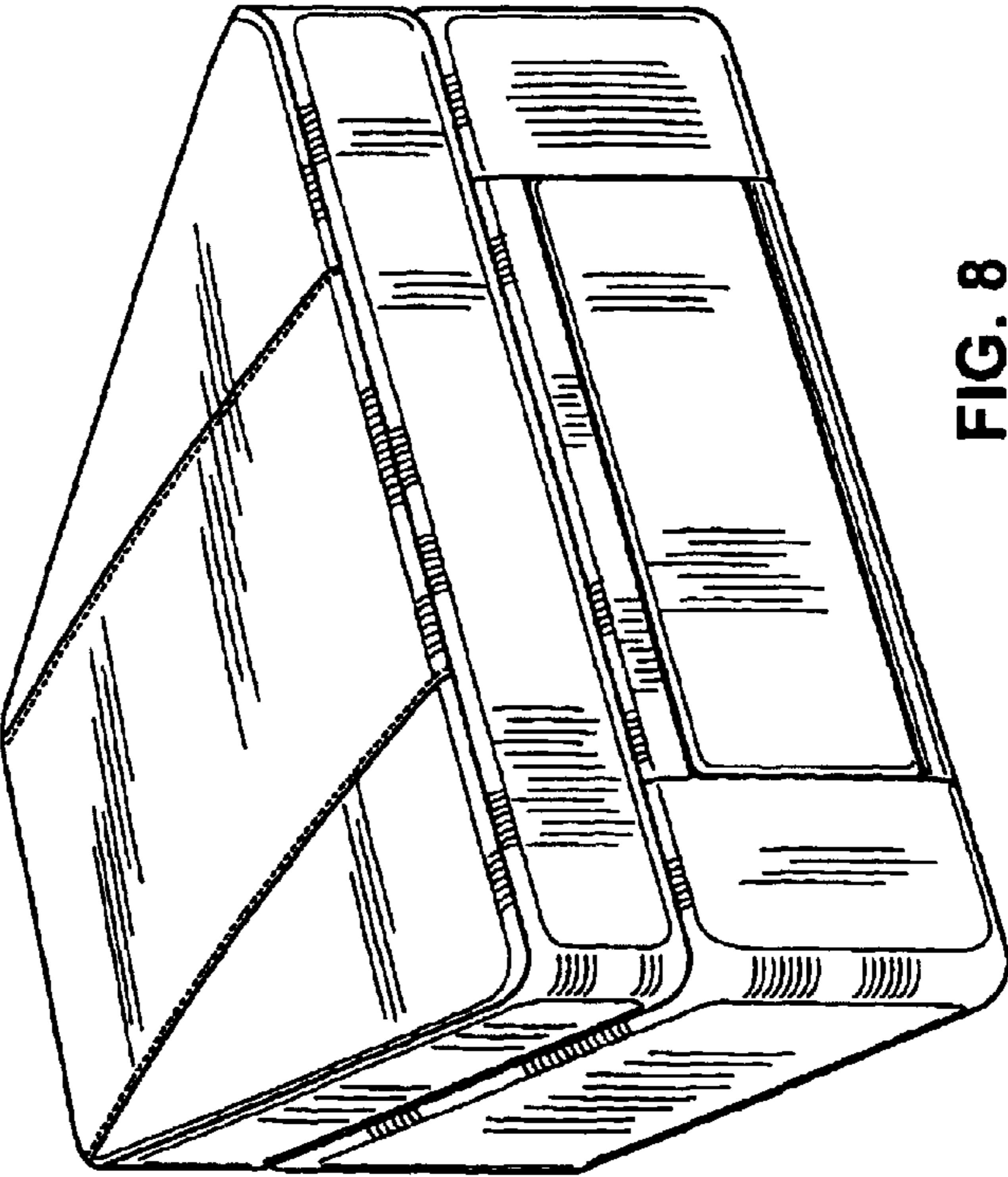


FIG. 8

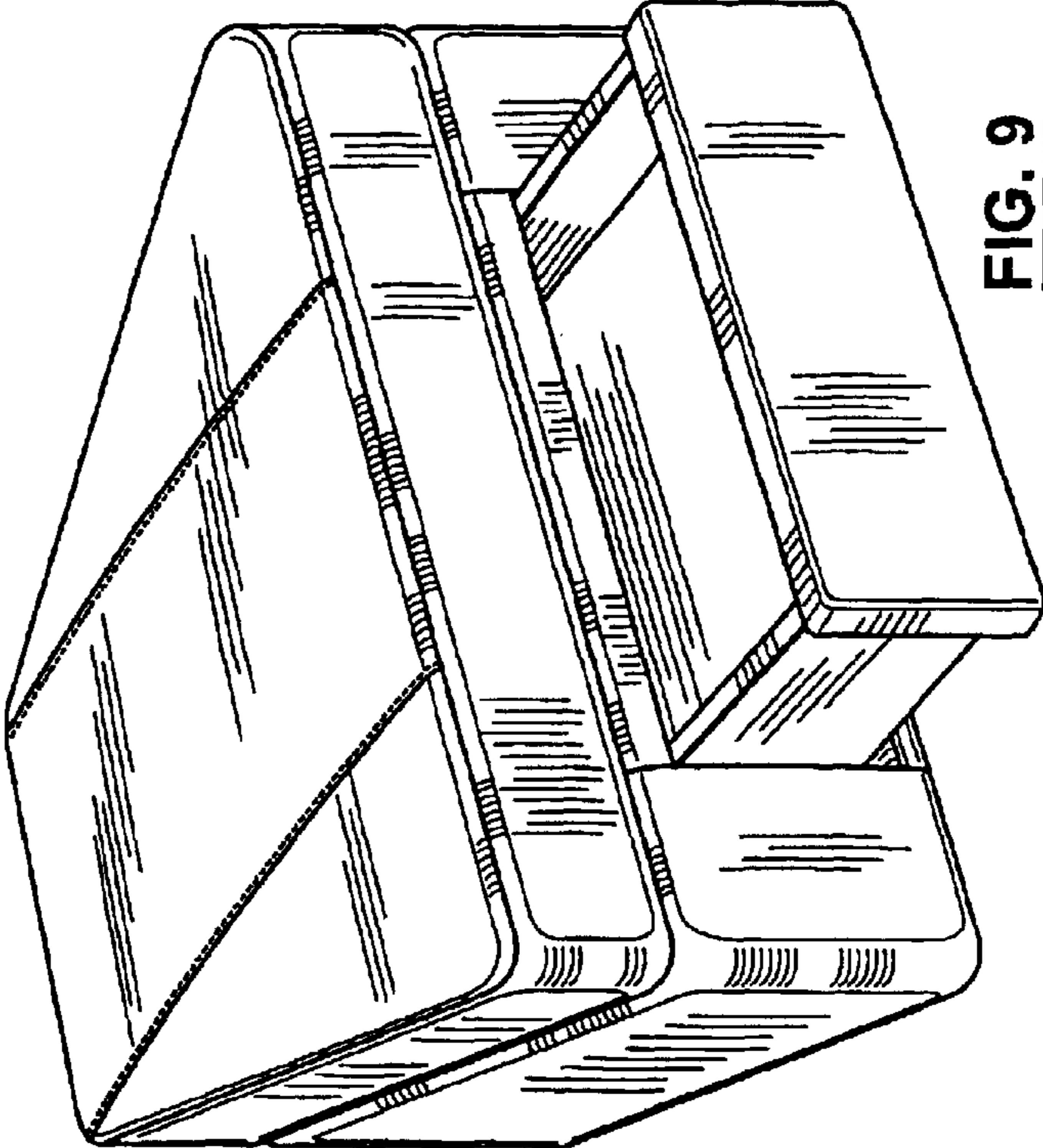


FIG. 9