



US00D493965S1

(12) **United States Design Patent**
Kuester

(10) **Patent No.:** **US D493,965 S**

(45) **Date of Patent:** **** Aug. 10, 2004**

(54) **HIGH-CHAIR**

(75) **Inventor:** **Stephen Michael Kuester**, Kidlington
(GB)

(73) **Assignee:** **Handley Kuester Ltd.**, Banbury (GB)

(**) **Term:** **14 Years**

(21) **Appl. No.:** **29/190,741**

(22) **Filed:** **Sep. 25, 2003**

(30) **Foreign Application Priority Data**

Mar. 29, 2003 (GB) 3012022

(51) **LOC (7) Cl.** **06-01**

(52) **U.S. Cl.** **D6/339**

(58) **Field of Search** D6/333, 334, 335,
D6/336, 338, 339, 379, 500-502; 297/148,
149, 153, 174, 250.1

(56) **References Cited**

U.S. PATENT DOCUMENTS

D85,119 S * 9/1931 Shipman D6/339

D160,633 S * 10/1950 Kvarnstrom D6/339
D181,106 S * 10/1957 Reguiti D6/339
3,649,074 A * 3/1972 McDonald et al. 297/153

* cited by examiner

Primary Examiner—Stacia Cadmus

Assistant Examiner—Mimosa De

(74) *Attorney, Agent, or Firm*—Davis & Bujold PLLC

(57) **CLAIM**

The ornamental design for a “high-chair”, as shown and described.

DESCRIPTION

FIG. 1 is a right side elevational view of a high-chair according to my design;

FIG. 2 is a front elevational view thereof;

FIG. 3 is a front and right side perspective view thereof;

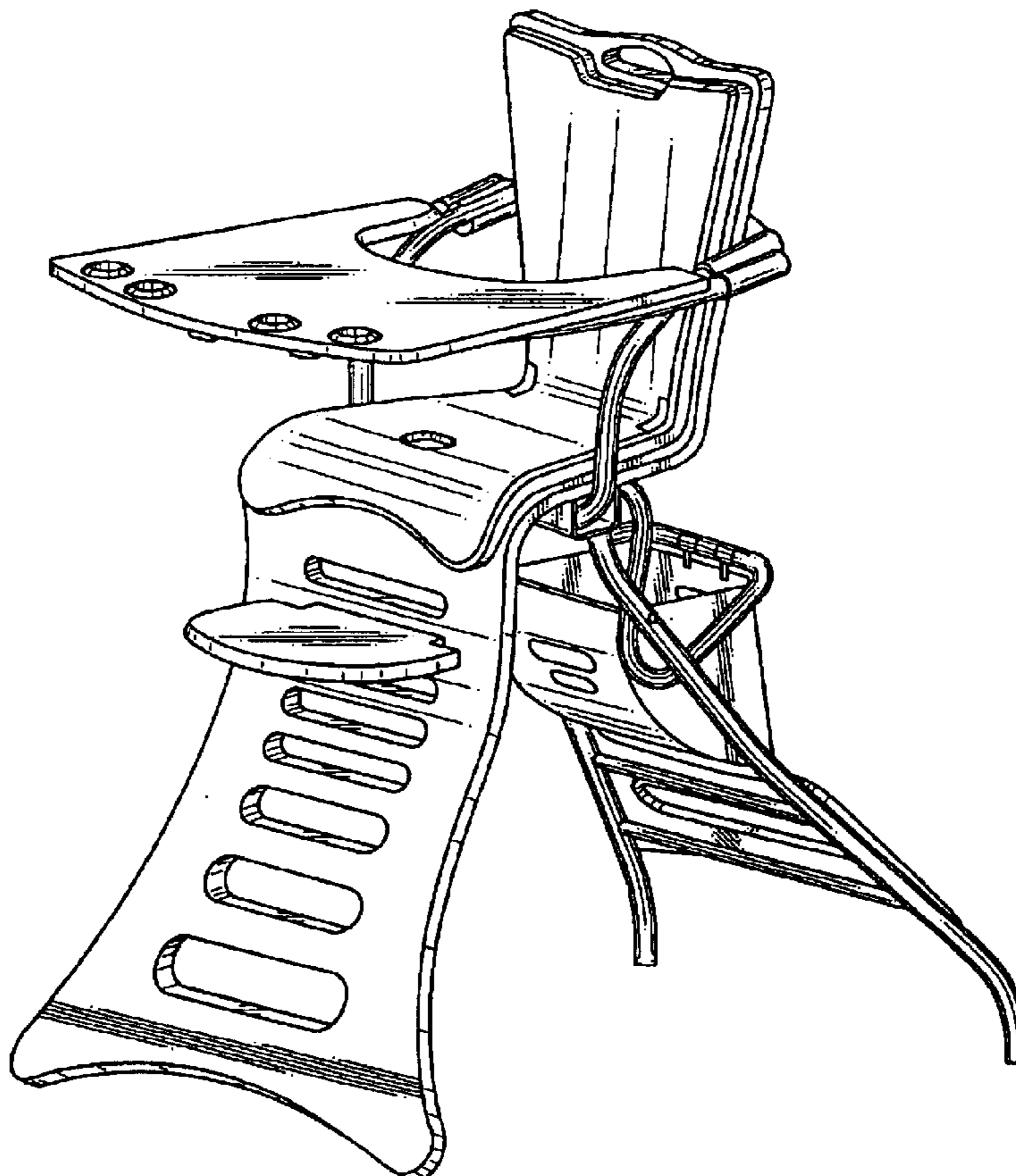
FIG. 4 is a rear side right side perspective view thereof;

FIG. 5 is a rear and right side perspective view from below thereof;

FIG. 6 is a top plan view thereof; and,

FIG. 7 is a left side elevation view thereof.

1 Claim, 7 Drawing Sheets



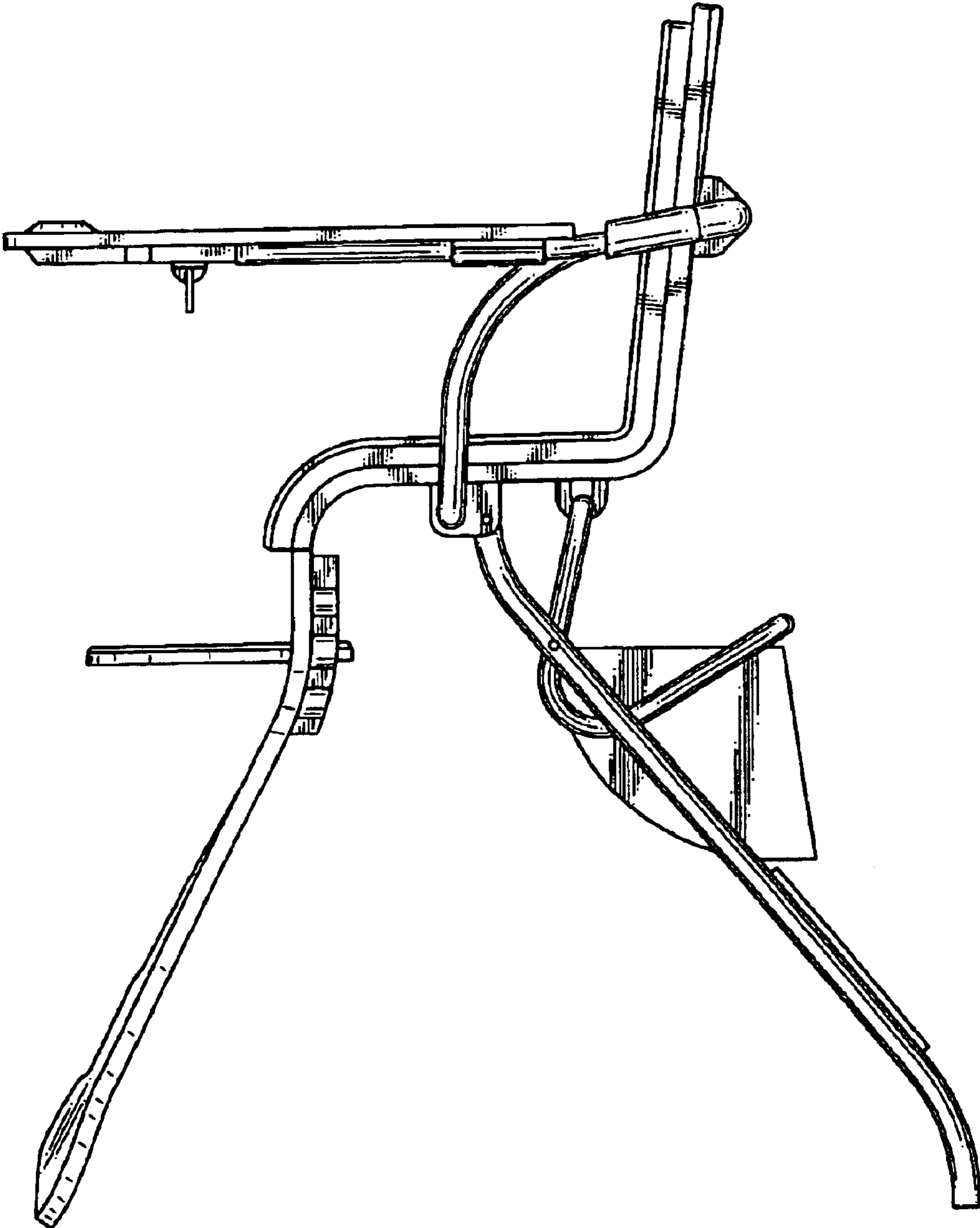


FIG. 1

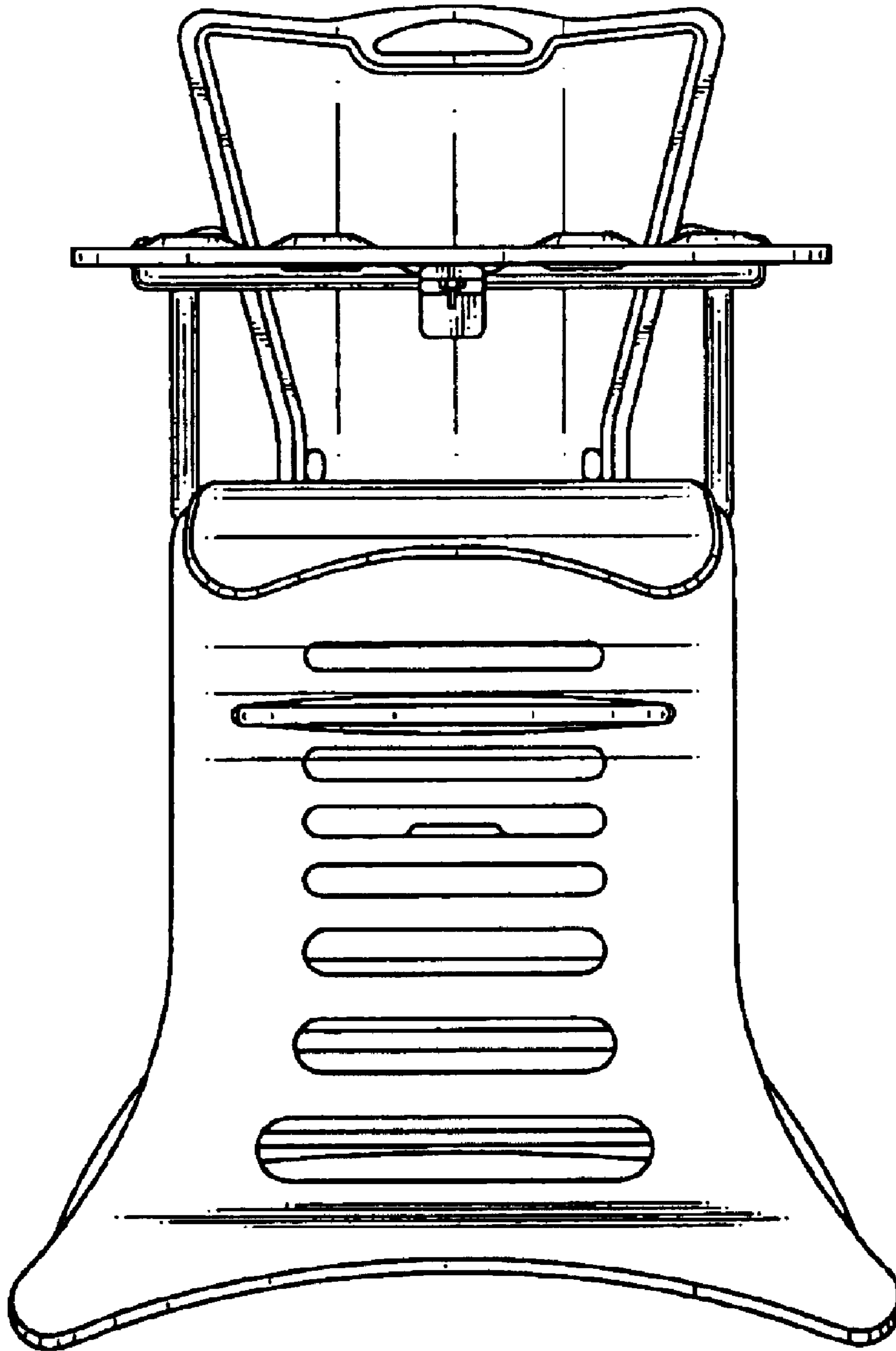


FIG. 2

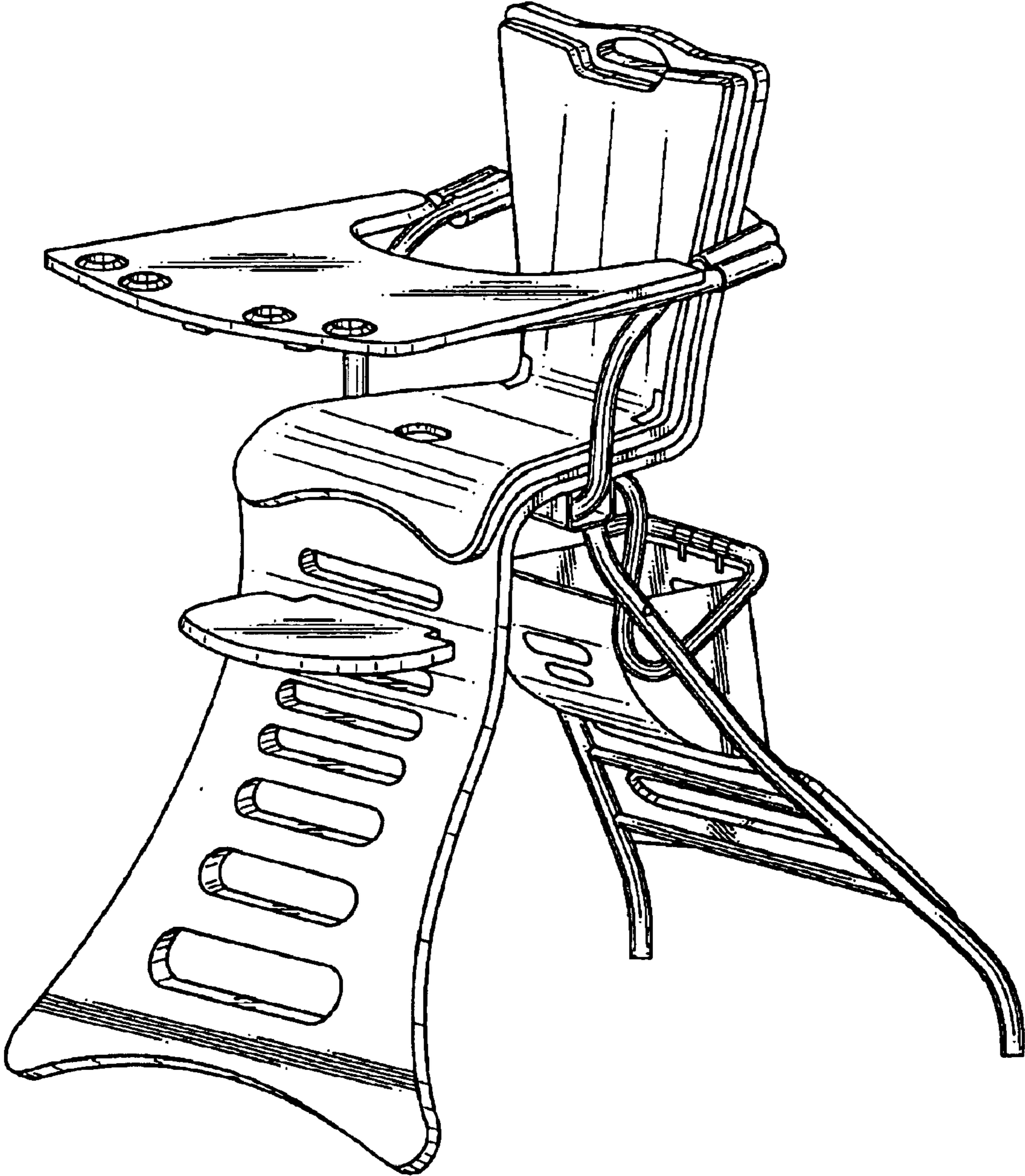


FIG.3

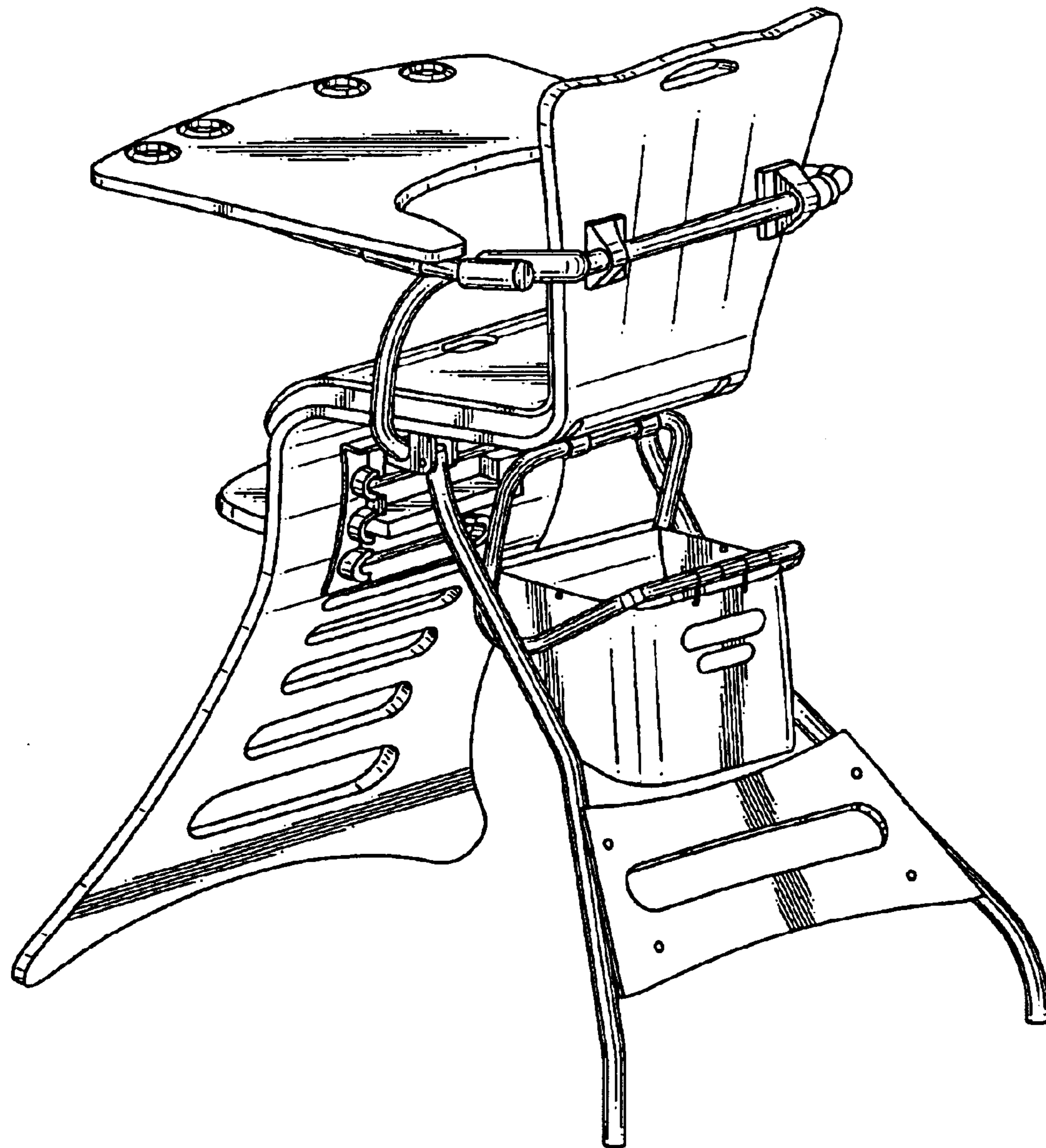


FIG.4

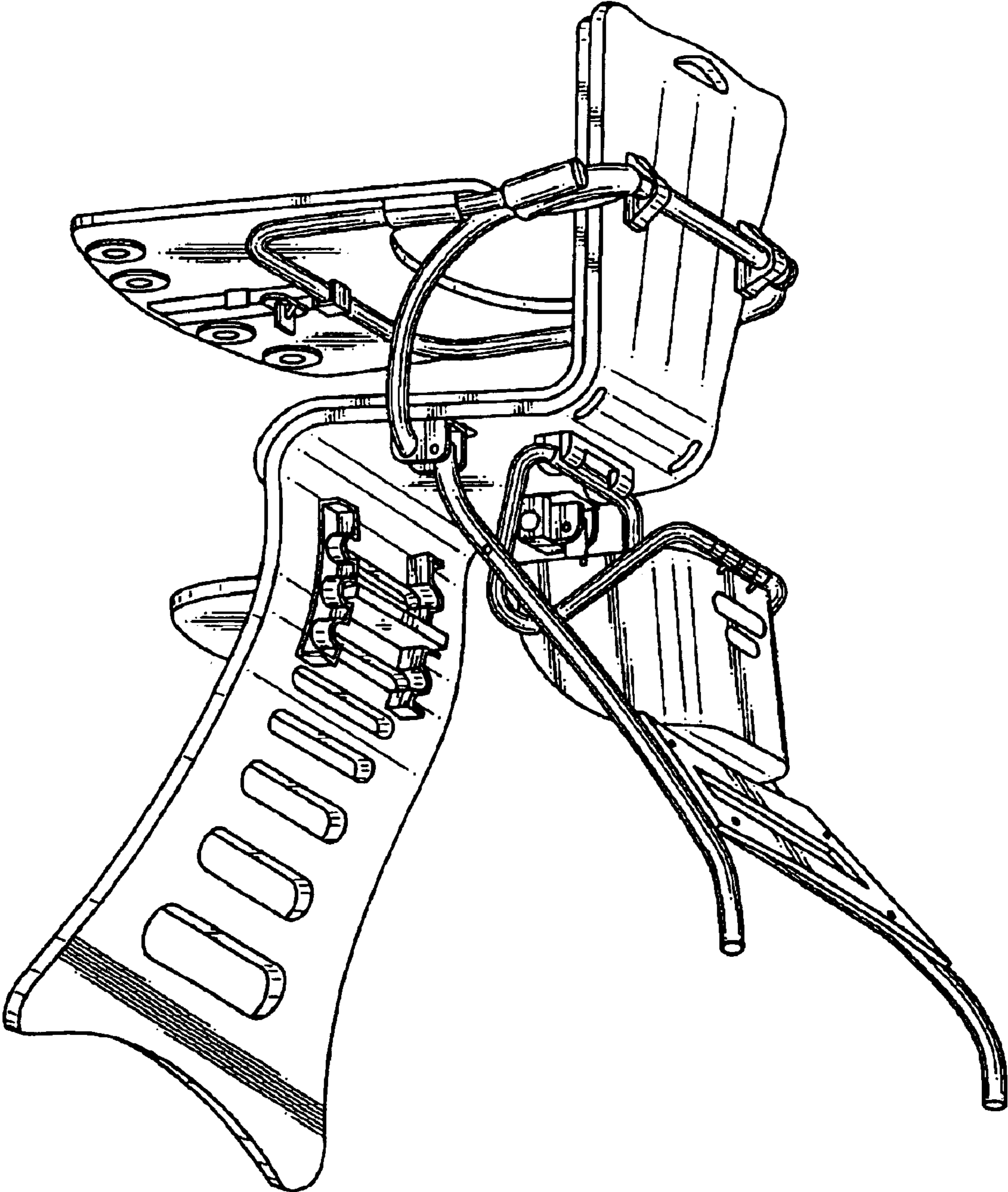


FIG.5

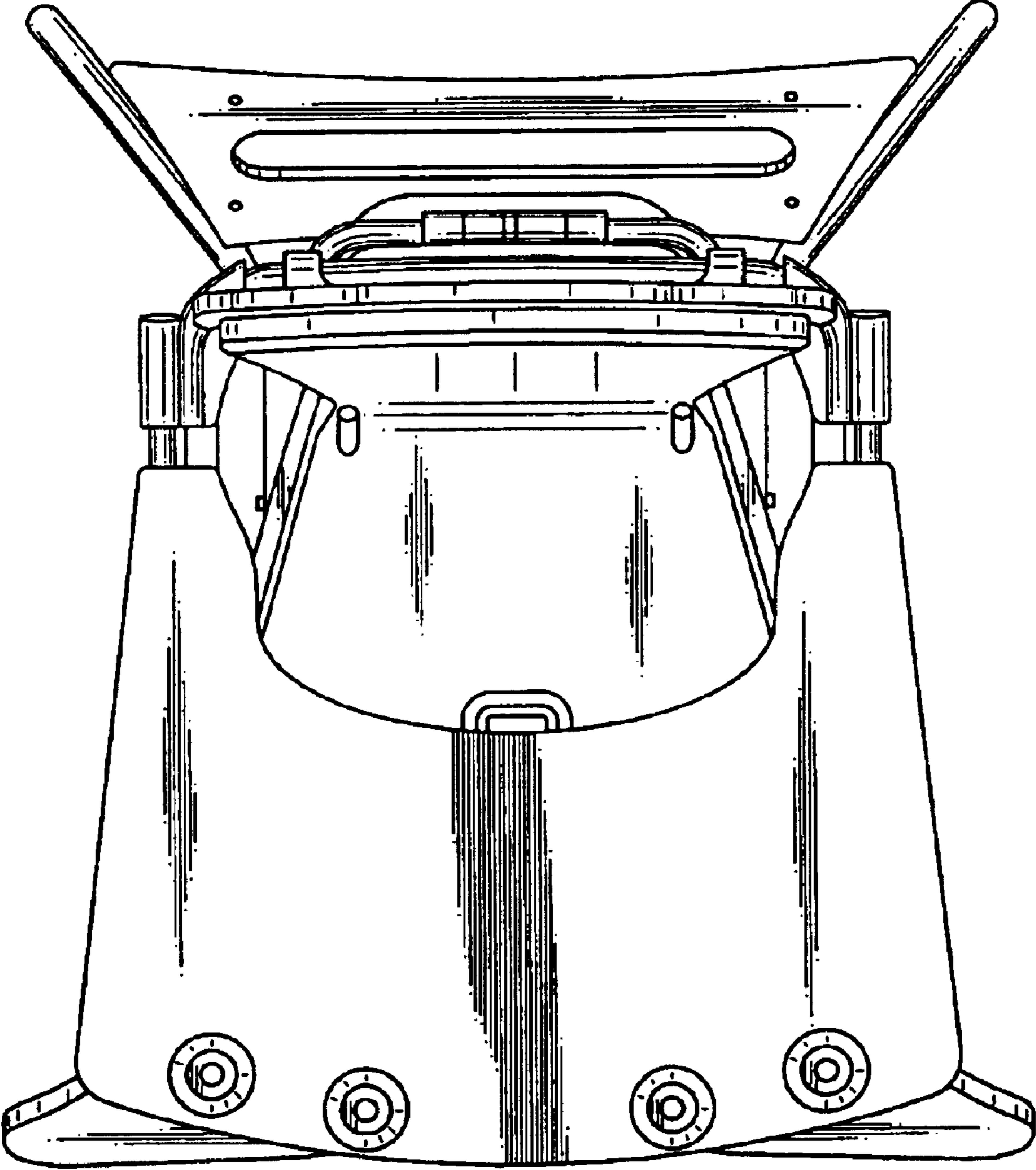


FIG. 6

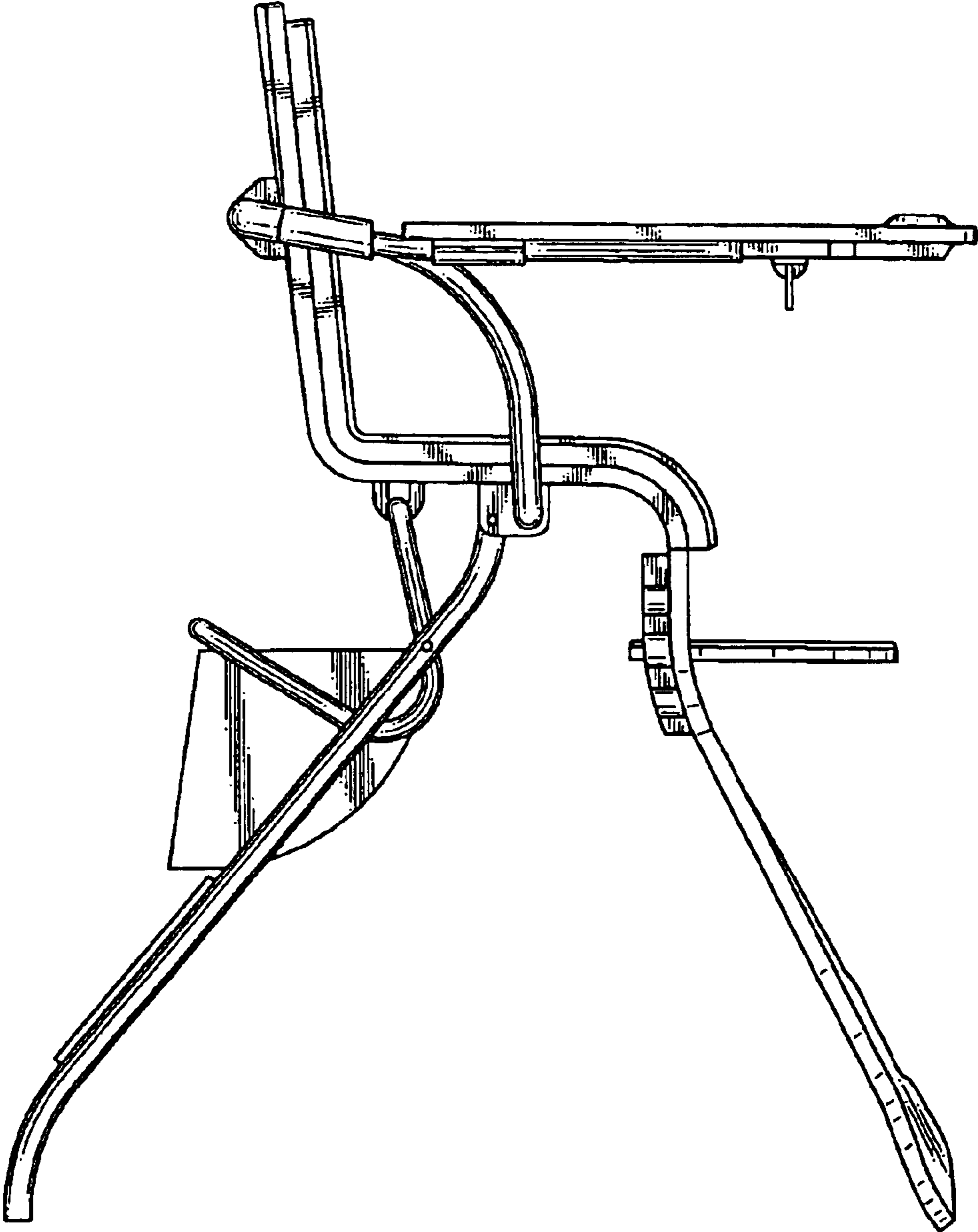


FIG.7