



US00D493963S1

(12) **United States Design Patent**
Alves

(10) **Patent No.:** **US D493,963 S**

(45) **Date of Patent:** **** Aug. 10, 2004**

(54) **DISPLAY HOLDER FOR A CAP OR THE LIKE**

D368,168 S * 3/1996 Bennett D6/323
D378,326 S * 3/1997 Goodner D6/320
D409,638 S * 5/1999 Fleck D16/136

(75) Inventor: **Manuel J. Alves**, Wilmington, NC (US)

* cited by examiner

(73) Assignee: **Joalpe International, Inc.**, Wilmington, NC (US)

Primary Examiner—Brian N Vinson

(74) *Attorney, Agent, or Firm*—Dougherty, Clements & Hofer

(**) Term: **14 Years**

(21) Appl. No.: **29/189,224**

(22) Filed: **Aug. 28, 2003**

(51) **LOC (7) Cl.** **06-08**

(52) **U.S. Cl.** **D6/320**

(58) **Field of Search** D6/320, 552, 567,
D6/569, 570; 211/87.01, 89.01, 85.3, 30,
32; 223/1

(56) **References Cited**

U.S. PATENT DOCUMENTS

2,670,084 A * 2/1954 Evans 211/32
5,480,073 A * 1/1996 LaManna 223/1
D366,766 S * 2/1996 Bennett D6/320

(57) **CLAIM**

The ornamental design for a display holder for a cap or the like, as shown and described.

DESCRIPTION

FIG. 1 is a perspective view of the invented display holder for a cap or the like, showing my new design; FIG. 2 is a bottom plan view thereof; FIG. 3 is a rear elevational view thereof; FIG. 4 is a left side elevational view thereof; FIG. 5 is a top plan view a mirror image; FIG. 6 is a right side elevational view thereof; and, FIG. 7 is a front elevational thereof.

1 Claim, 3 Drawing Sheets

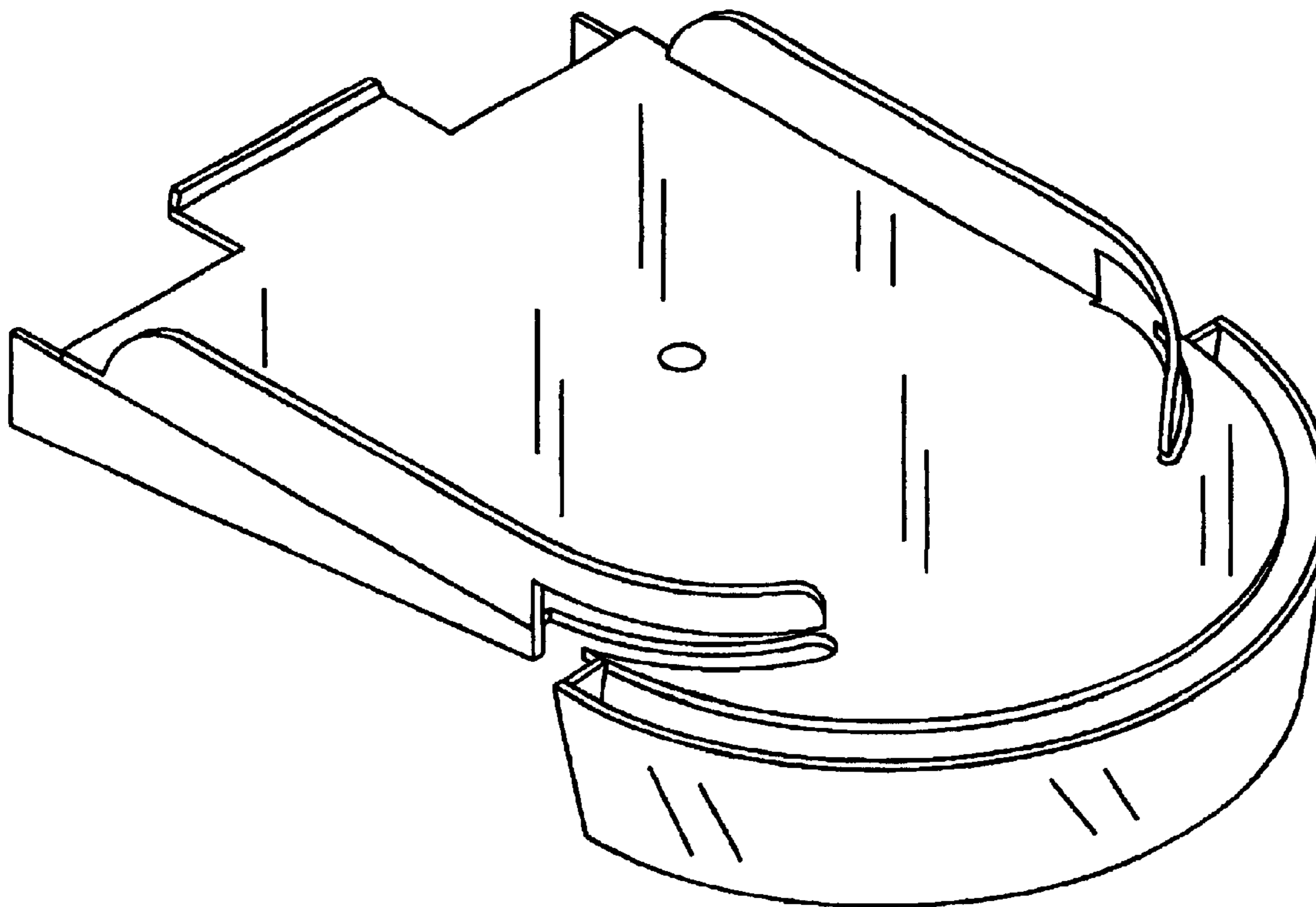


Fig. 1

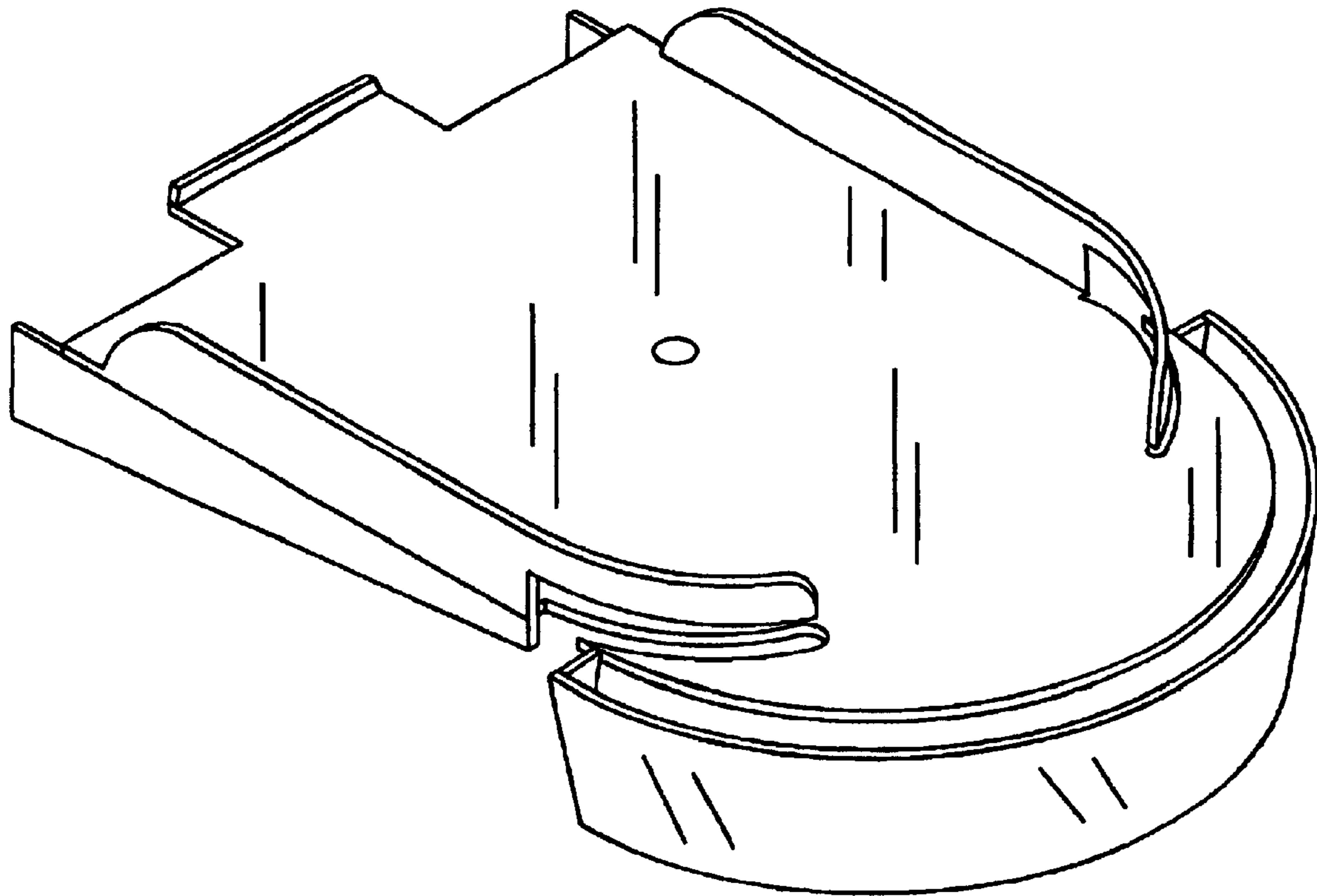
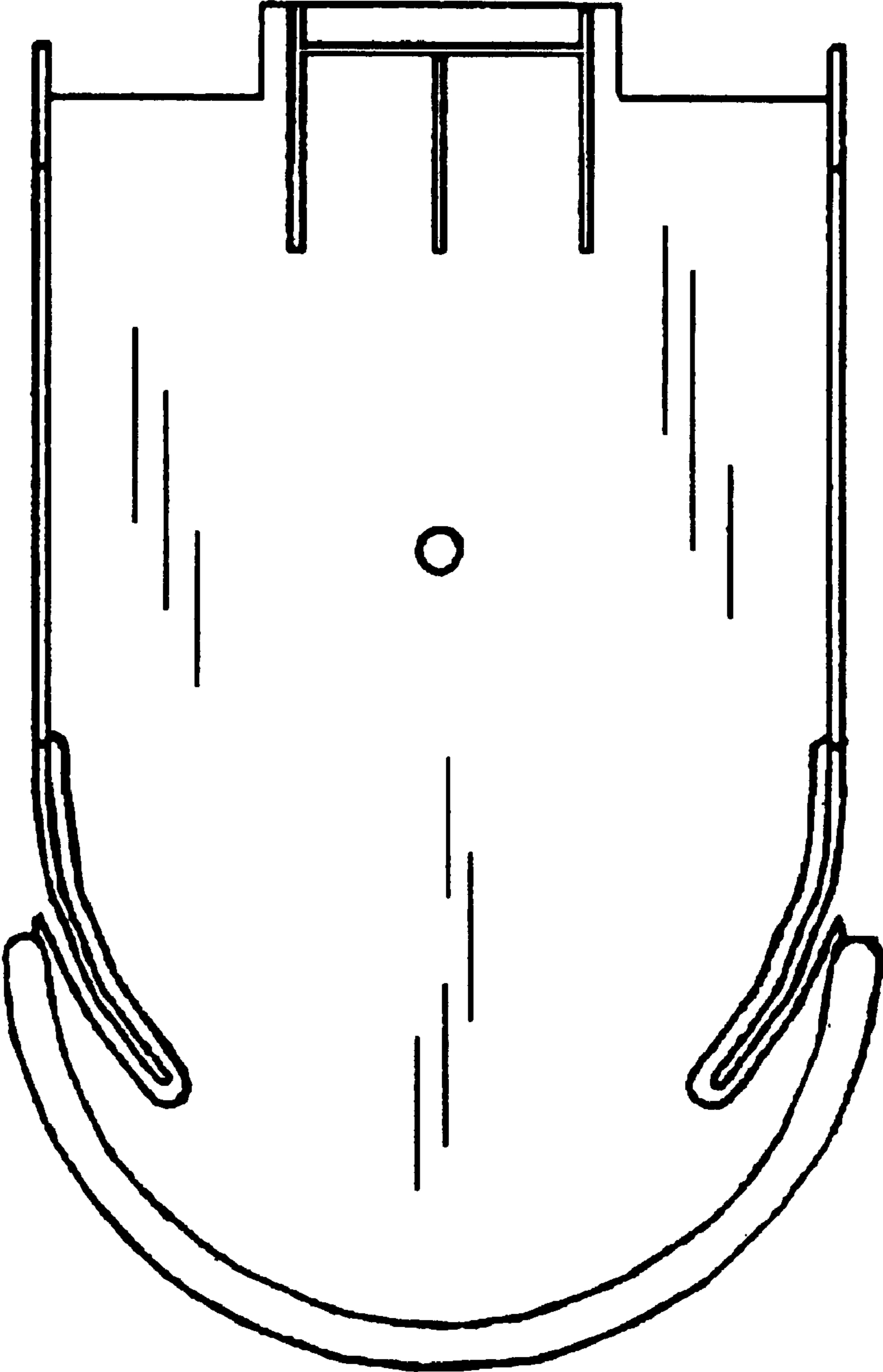


Fig. 2



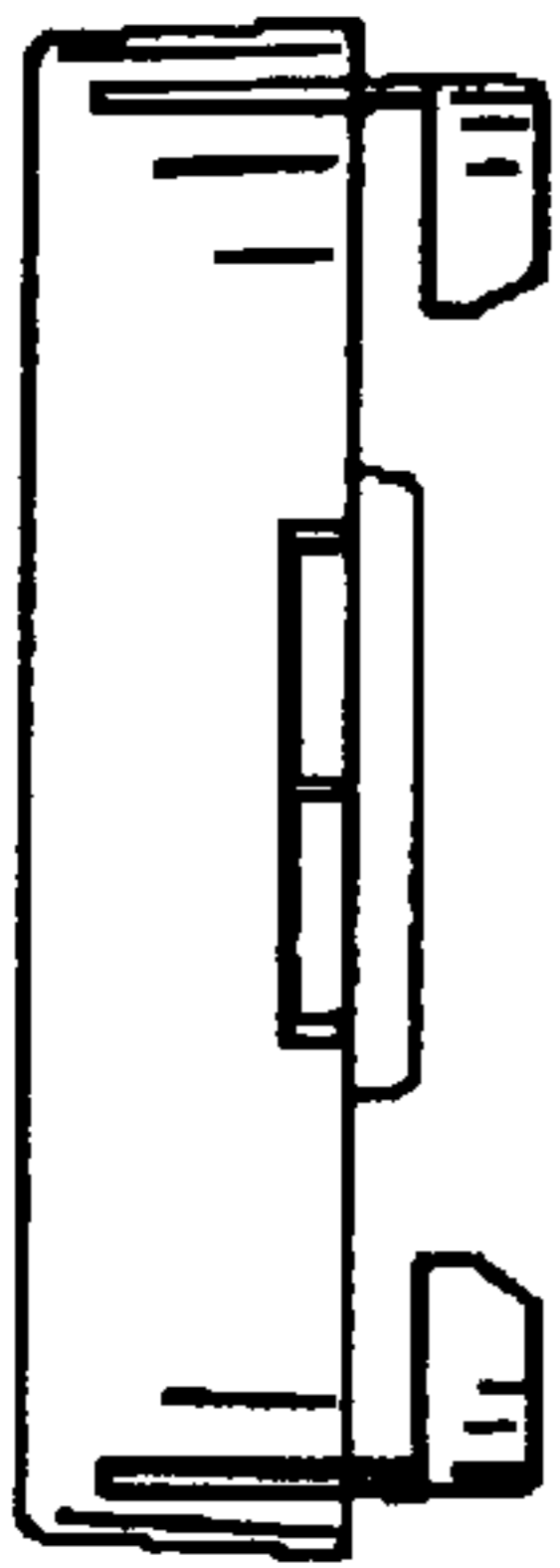


Fig. 3

Fig. 6

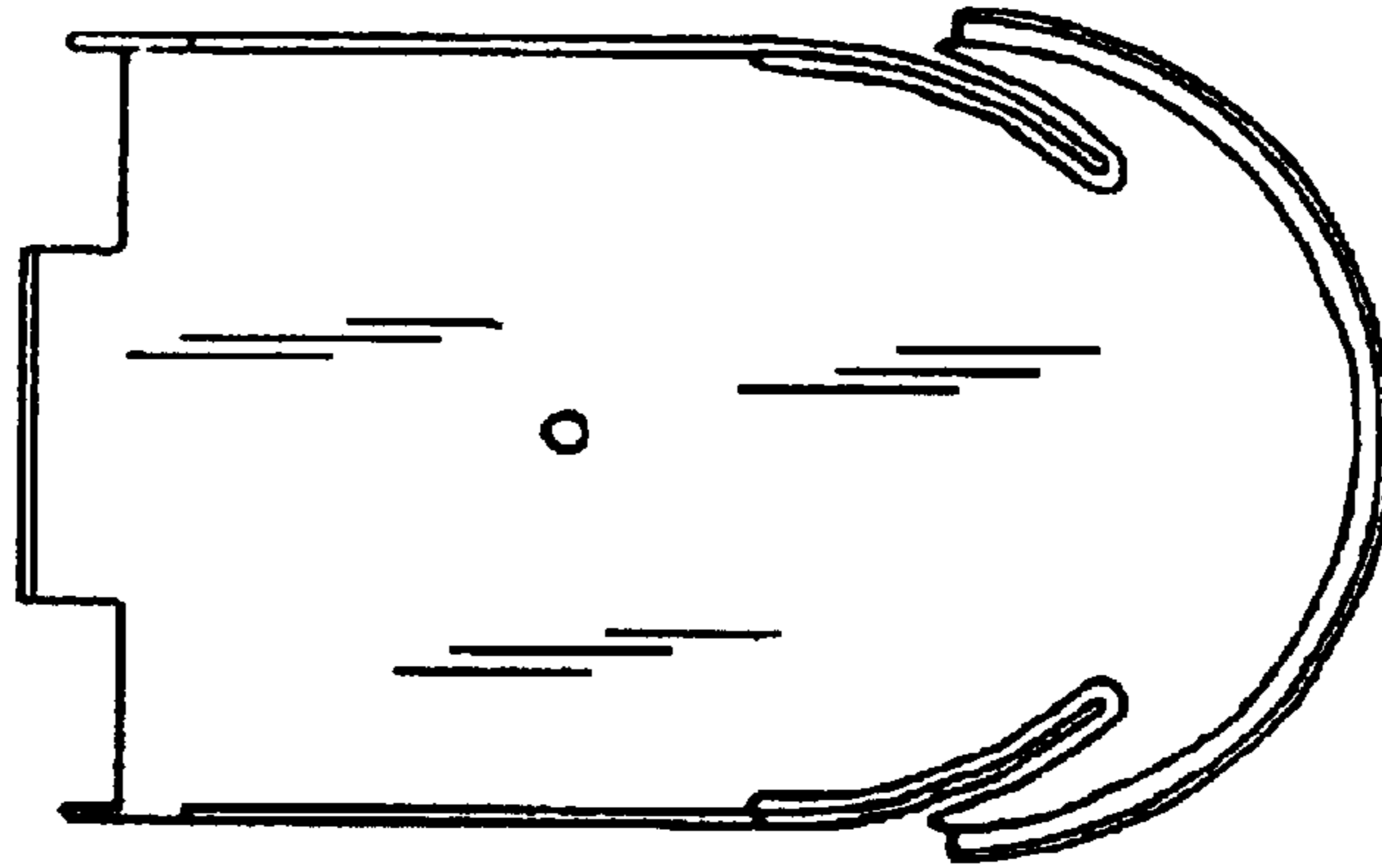
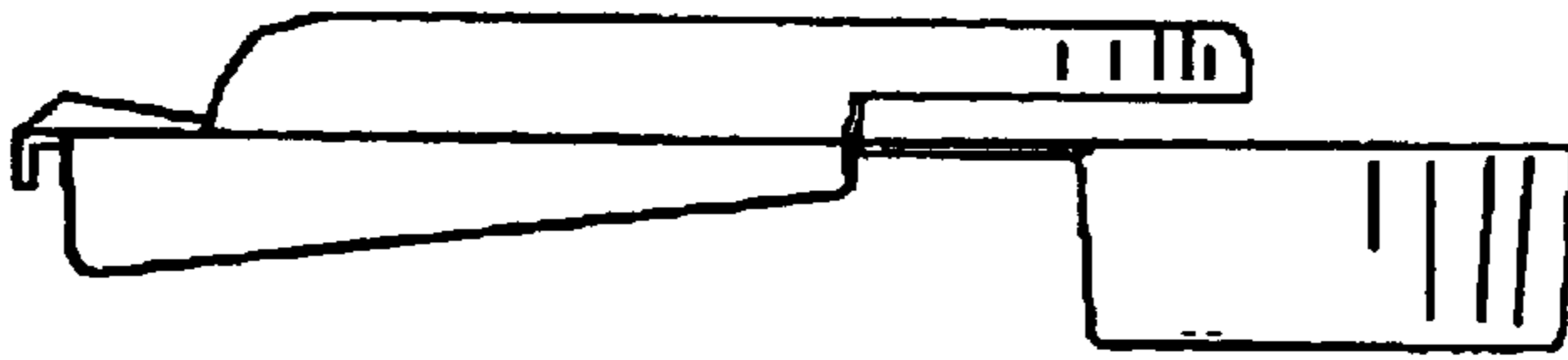


Fig. 5

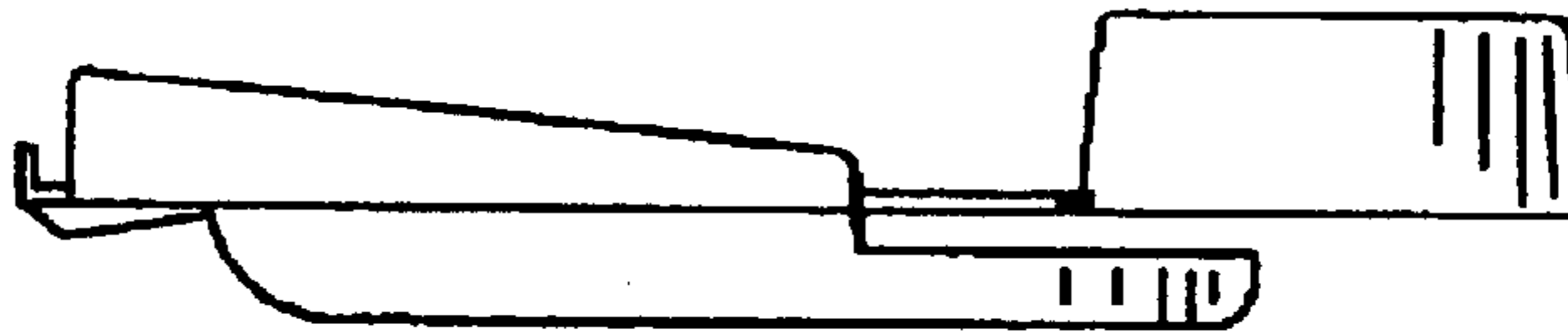


Fig. 4



Fig. 7