

US00D493959S1

(12) **United States Design Patent**
Kirkwood

(10) **Patent No.:** **US D493,959 S**

(45) **Date of Patent:** **** Aug. 10, 2004**

(54) **STUDENT SUPPLY BAG AND REFLECTIVE STRIP COMBINATION**

(76) Inventor: **Linda J. Kirkwood**, 528 County Rd. 313, Taylor, MS (US) 38673

(**) Term: **14 Years**

(21) Appl. No.: **29/180,809**

(22) Filed: **May 1, 2003**

(51) **LOC (7) Cl.** **03-01**

(52) **U.S. Cl.** **D3/303; D3/276**

(58) **Field of Search** **D3/232, 273, 303, D3/276; 150/107, 115, 117, 118; 190/110, 109; 383/119**

(56) **References Cited**

U.S. PATENT DOCUMENTS

4,236,559	A	*	12/1980	Archbold	224/610
D328,522	S	*	8/1992	Buck	D3/303
D423,215	S	*	4/2000	Furlanetto	D3/303
D423,216	S	*	4/2000	Medeiros	D3/303
D426,060	S	*	6/2000	Chapelier	D3/303
D439,041	S	*	3/2001	Guyon	D3/246
D441,529	S	*	5/2001	Guyon	D3/246
D457,317	S	*	5/2002	Steere	D3/303
6,513,693	B1	*	2/2003	DeLoach	224/629

* cited by examiner

Primary Examiner—Philip S. Hyder

(57) **CLAIM**

The ornamental design for a student supply bag and reflective strip combination, as shown and described.

DESCRIPTION

FIG. 1 is a front elevated view of a student supply bag and reflective strip combination showing my new design;

FIG. 2 is a rear elevated view of the student supply bag and reflective strip combination;

FIG. 3 is a side elevated view of the student supply bag and reflective strip combination;

FIG. 4 is a top plan view of the student supply bag and reflective strip combination;

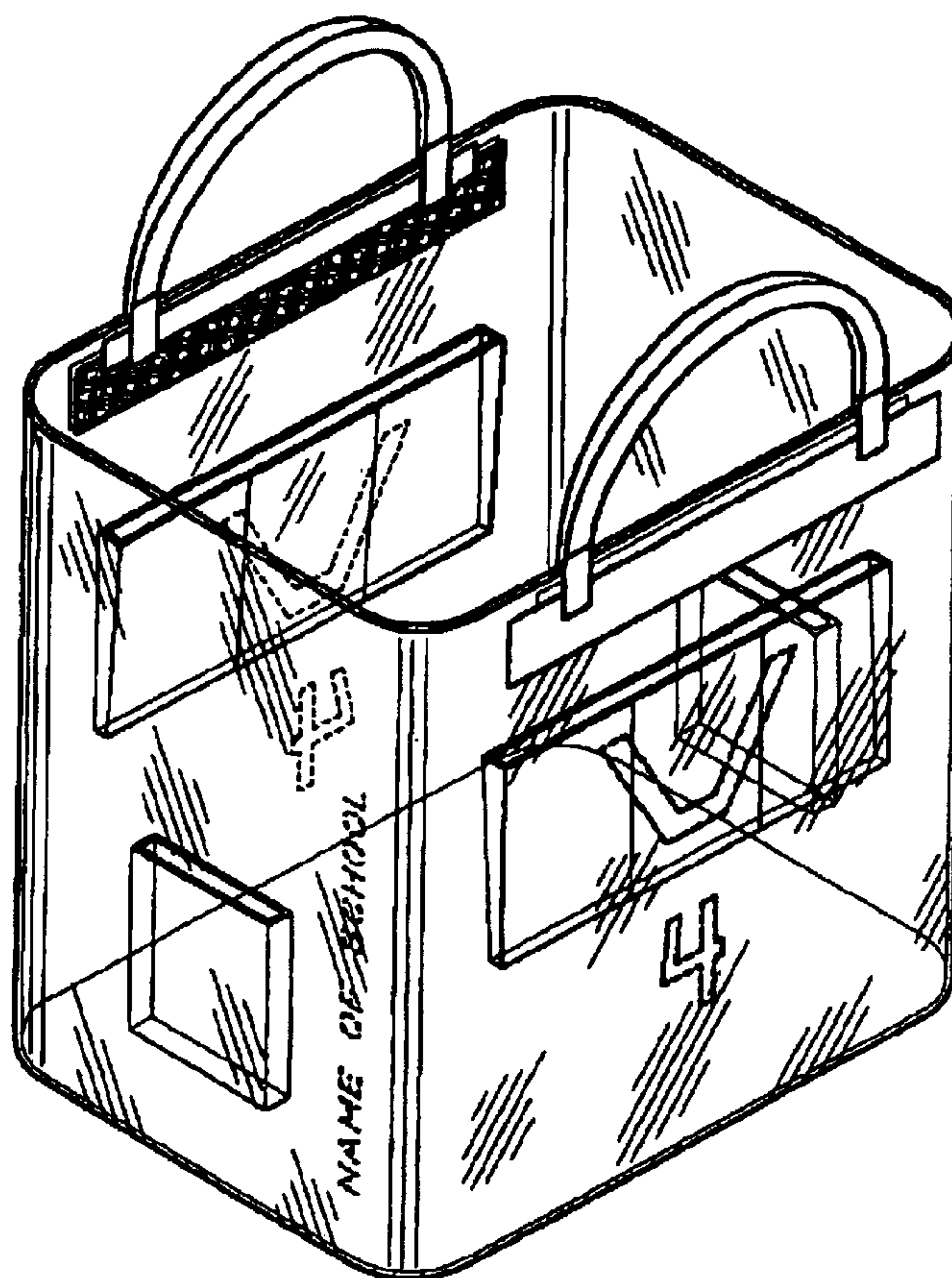
FIG. 5 is a bottom plan view of the student supply bag and reflective strip combination; and,

FIG. 6 is a perspective view of the student supply bag and reflective strip combination.

The markings in dashed lines in FIGS. 1, 3, 3 and 6 are for illustrative purposes only and form no part of the claimed invention.

The broken line portions of the drawing are for illustrative purposes only and form no part of the claimed design.

1 Claim, 3 Drawing Sheets



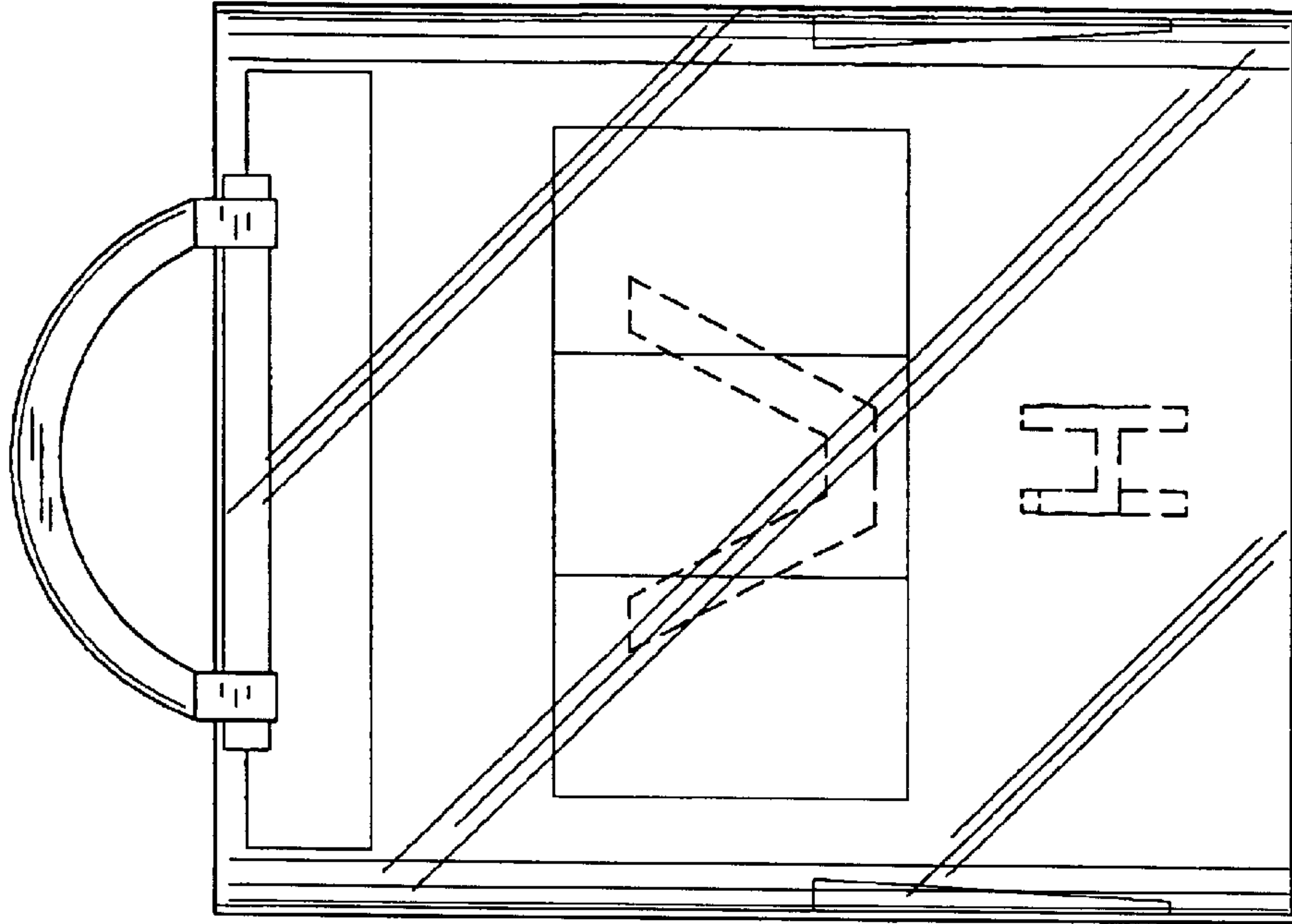


FIG. 1

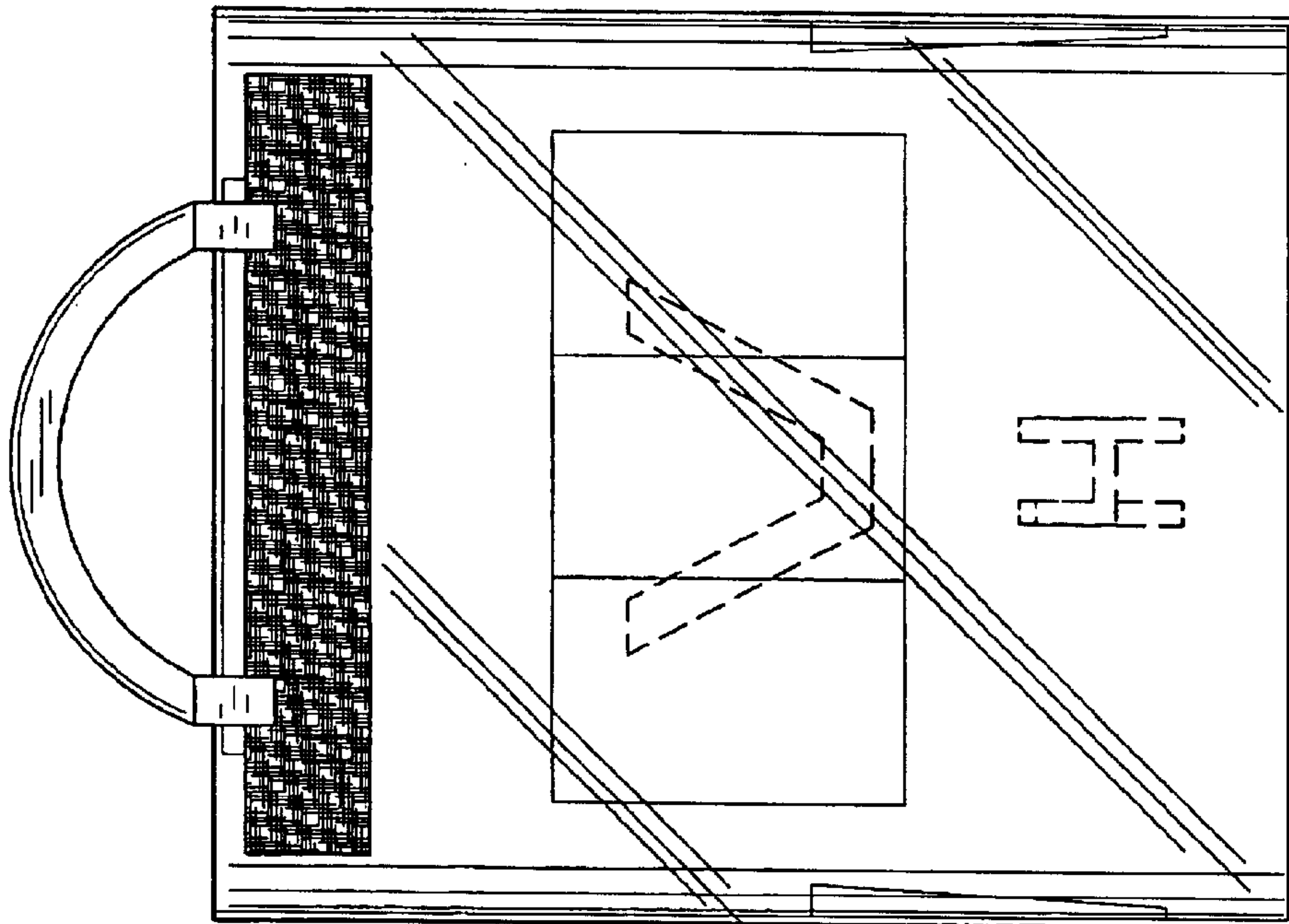


FIG. 2

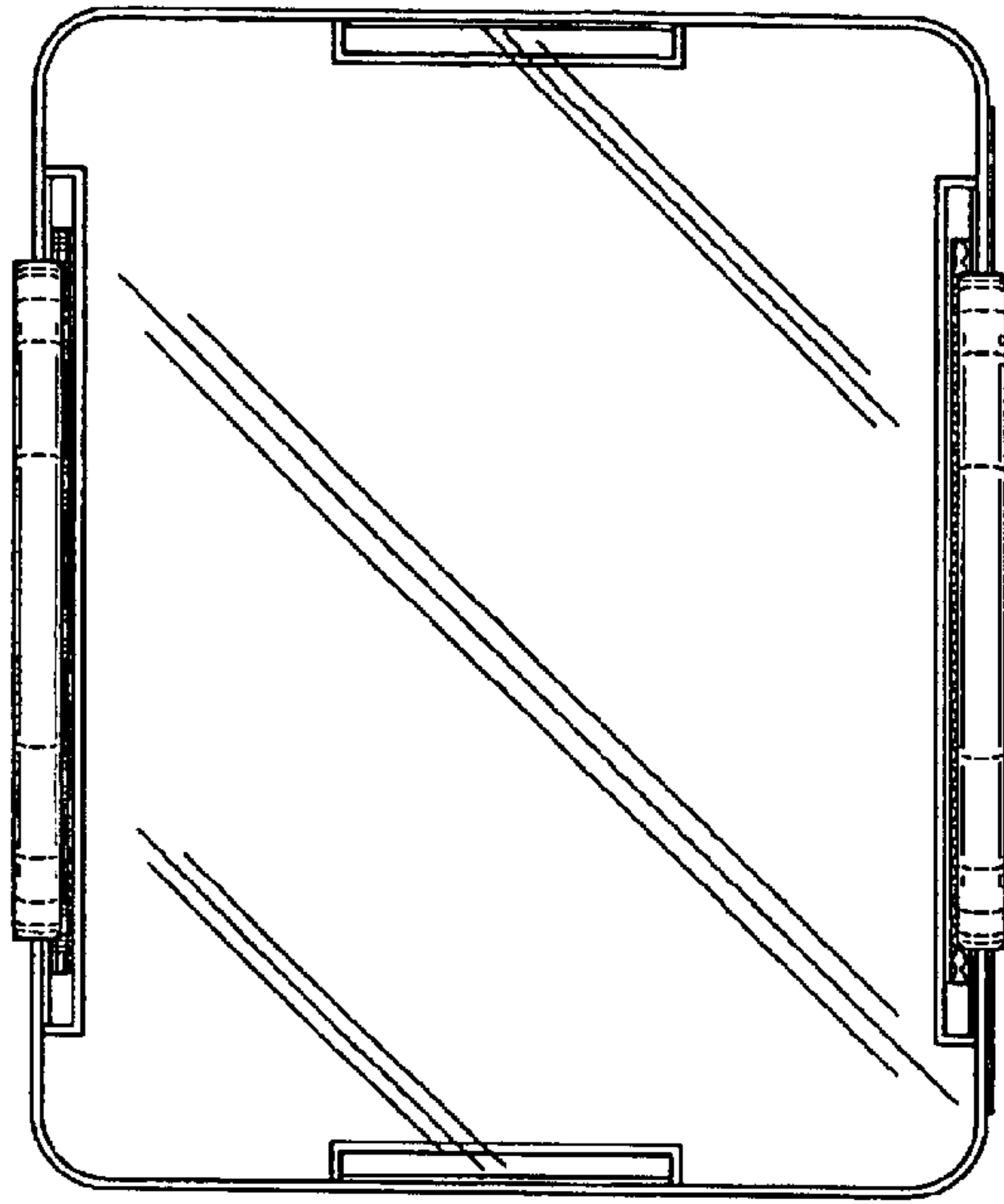


FIG. 4

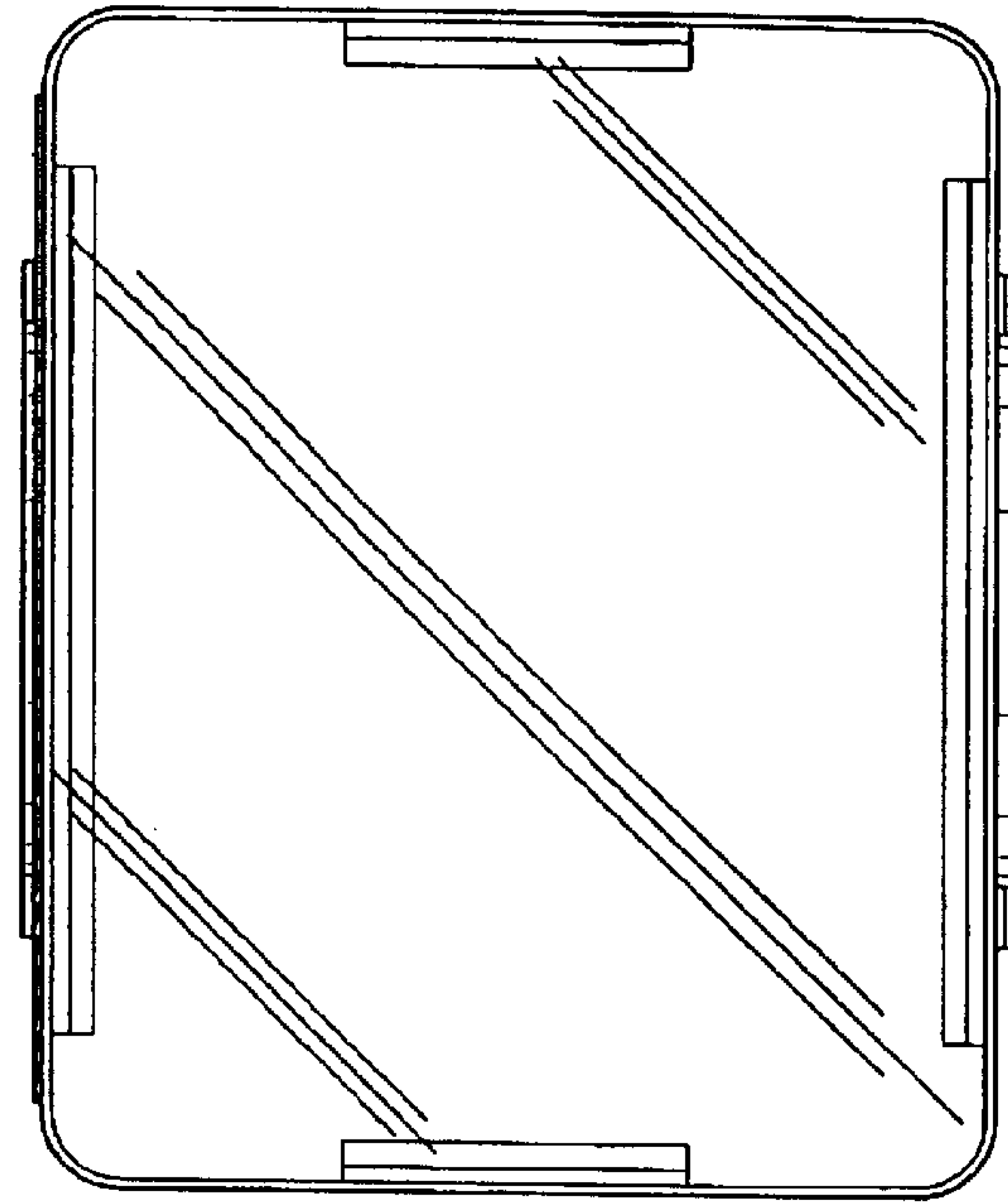


FIG. 5

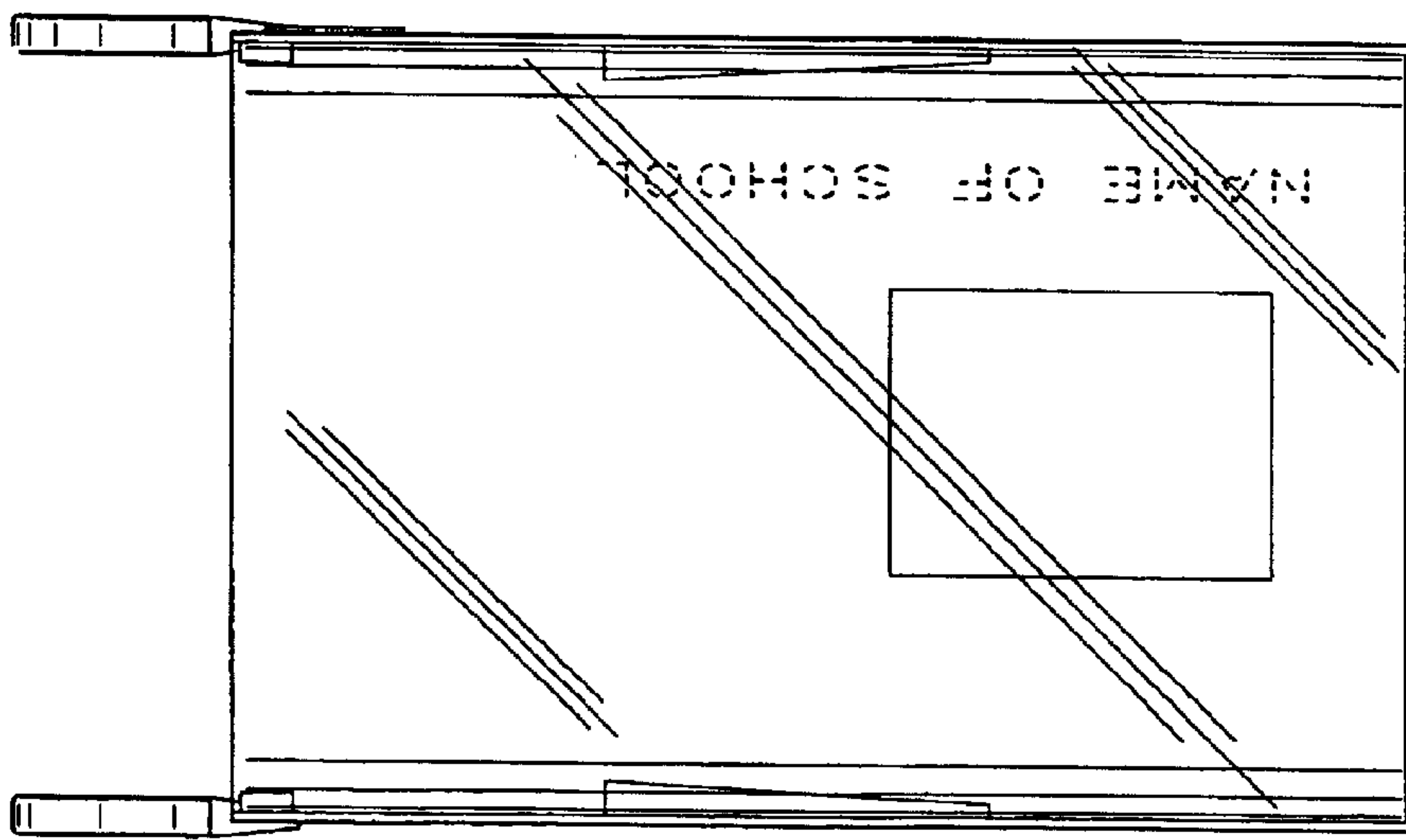


FIG. 3

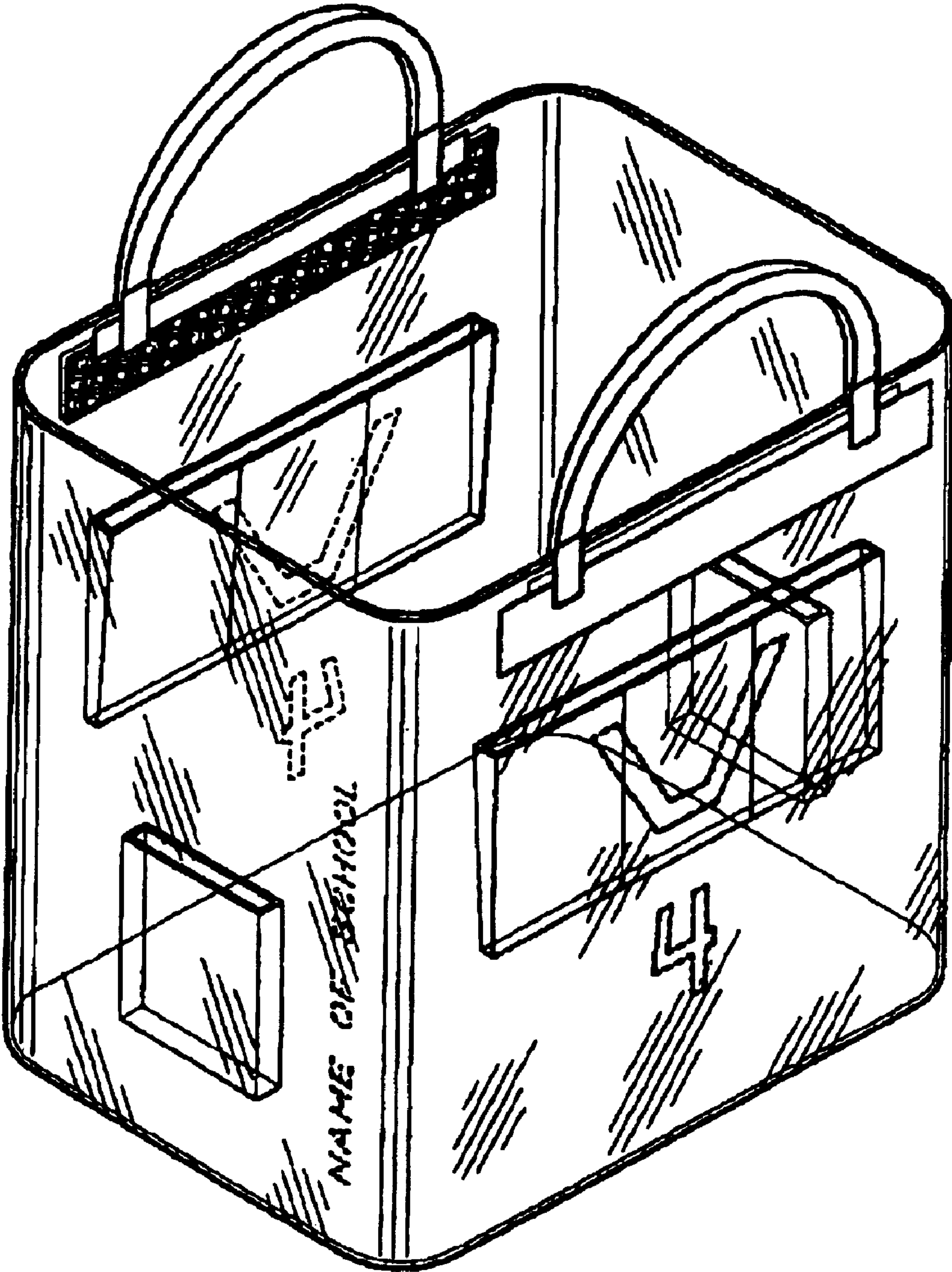


FIG.6