

US00D493957S1

(12) **United States Design Patent**
Balliet

(10) **Patent No.:** **US D493,957 S**

(45) **Date of Patent:** **** Aug. 10, 2004**

(54) **MAGNETIC TOOL HOLDER**

(76) **Inventor:** **James L. Balliet**, 531 S. Main St.,
Perkasie, PA (US) 18944

(**) **Term:** **14 Years**

(21) **Appl. No.:** **29/187,914**

(22) **Filed:** **Aug. 8, 2003**

(51) **LOC (7) Cl.** **03-01**

(52) **U.S. Cl.** **D3/228**

(58) **Field of Search** D3/228, 215, 224,
D3/226; 224/183, 219, 222, 267, 904, 312,
547, 683; D12/187; D11/200-231

(56) **References Cited**

U.S. PATENT DOCUMENTS

4,736,877 A	4/1988	Clark	224/666
D317,730 S *	6/1991	Mo	224/183
5,025,966 A	6/1991	Potter	224/183
5,056,661 A	10/1991	Balzano	206/372
5,758,807 A	6/1998	Wright	224/183

D457,311 S	5/2002	Dedrick	D3/228
6,382,482 B1 *	5/2002	Chao	224/312
6,530,508 B1	3/2003	Devine	224/183
D486,106 S *	2/2004	Huang	D12/187
2003/0197042 A1 *	10/2003	Warren	224/183

* cited by examiner

Primary Examiner—Catherine R. Oliver

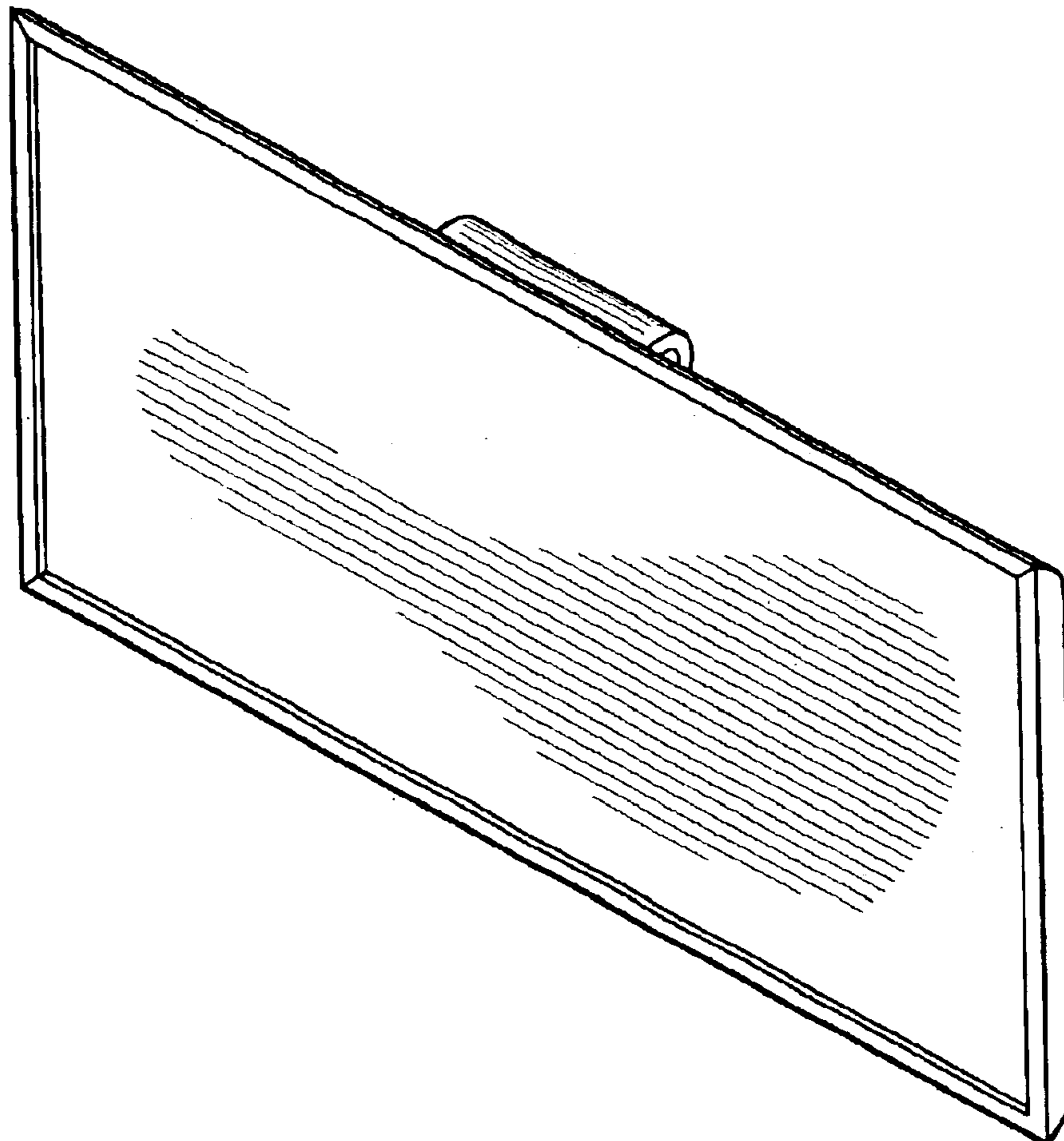
(57) **CLAIM**

The ornamental design for a magnetic tool holder, as shown and described.

DESCRIPTION

FIG. 1 is a front elevational view of a magnetic tool holder showing my new design;
FIG. 2 is a rear elevational view thereof;
FIG. 3 is a side view, taken from the left side of FIG. 1, the right side view being a mirror image thereof;
FIG. 4 is a top plan view thereof;
FIG. 5 is a bottom plan view thereof; and,
FIG. 6 is a perspective view thereof.

1 Claim, 2 Drawing Sheets



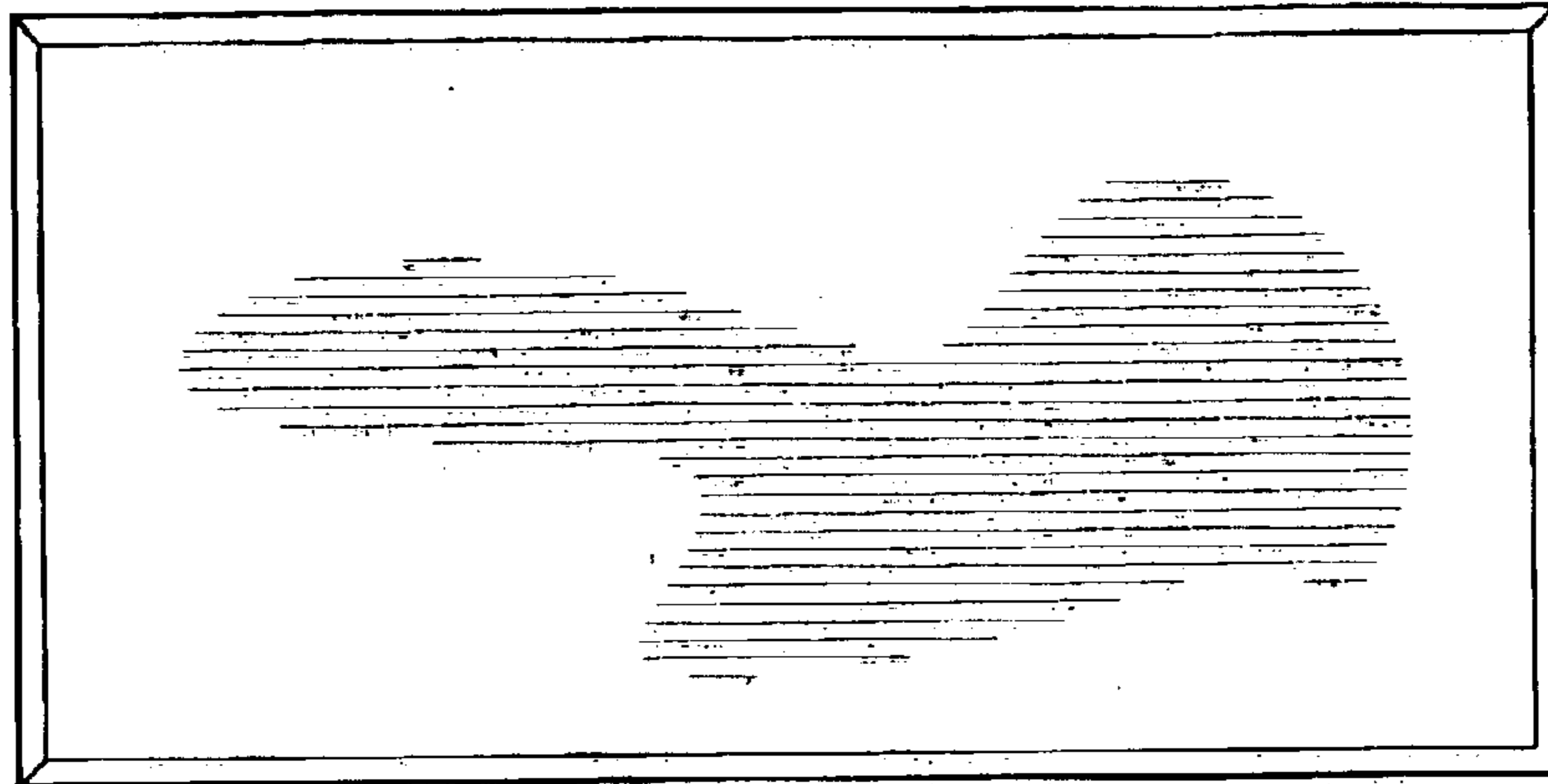


FIG. 1

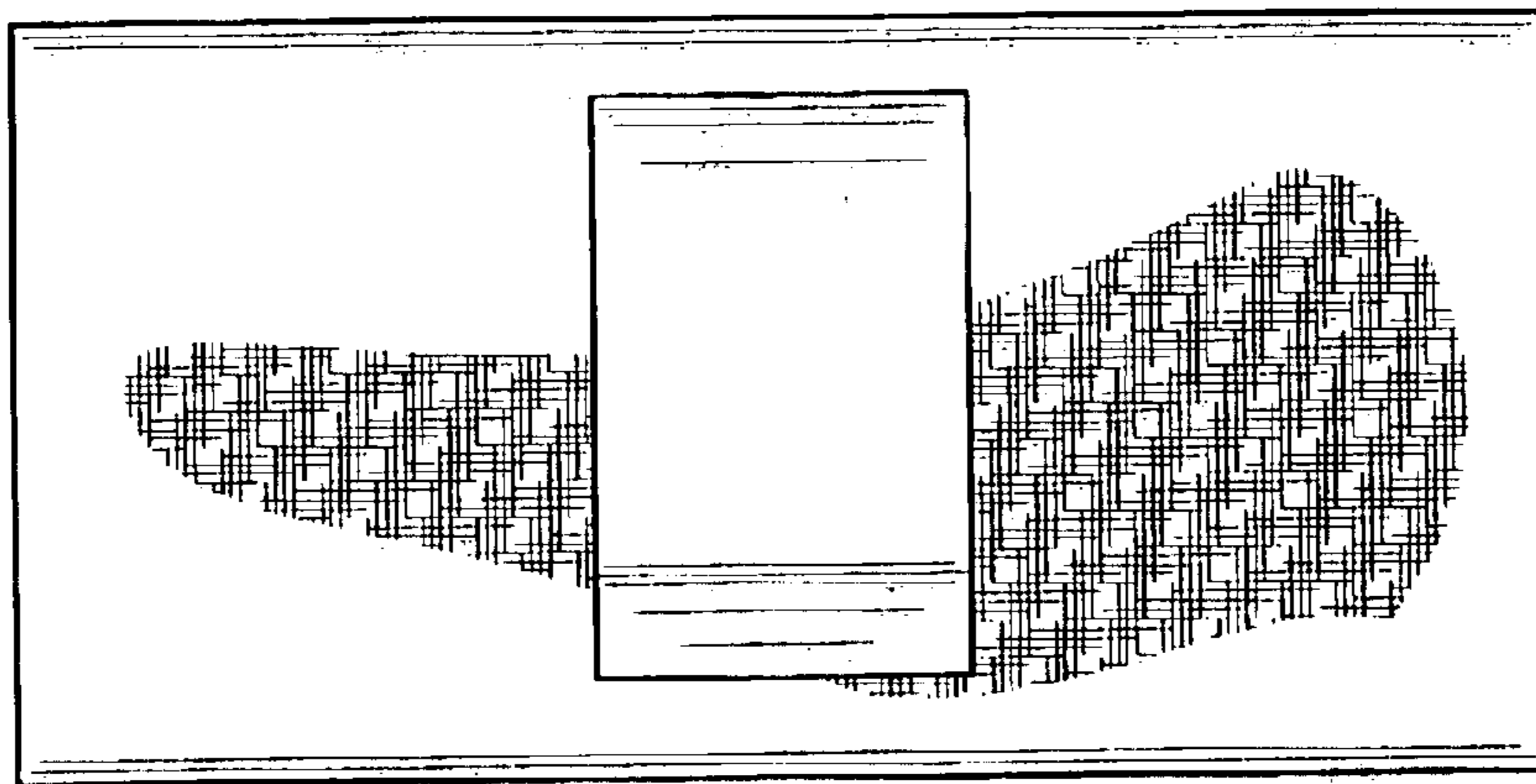


FIG. 2



FIG. 3

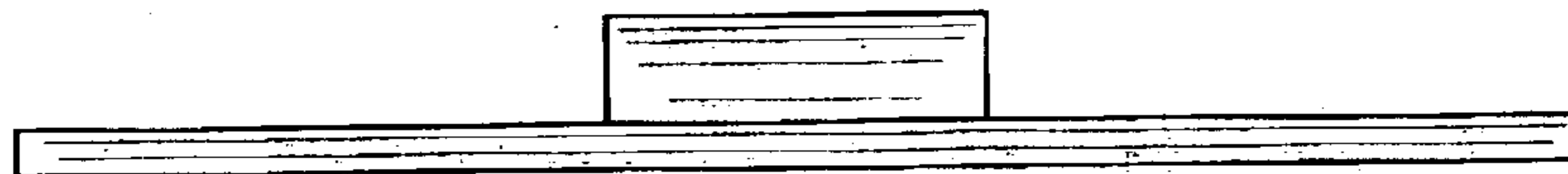


FIG. 4

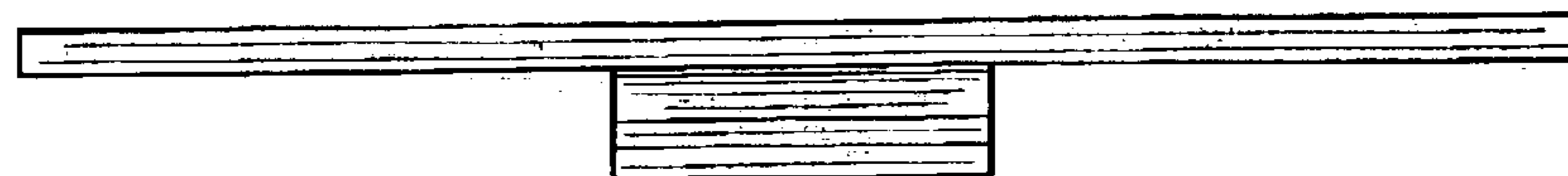


FIG. 5

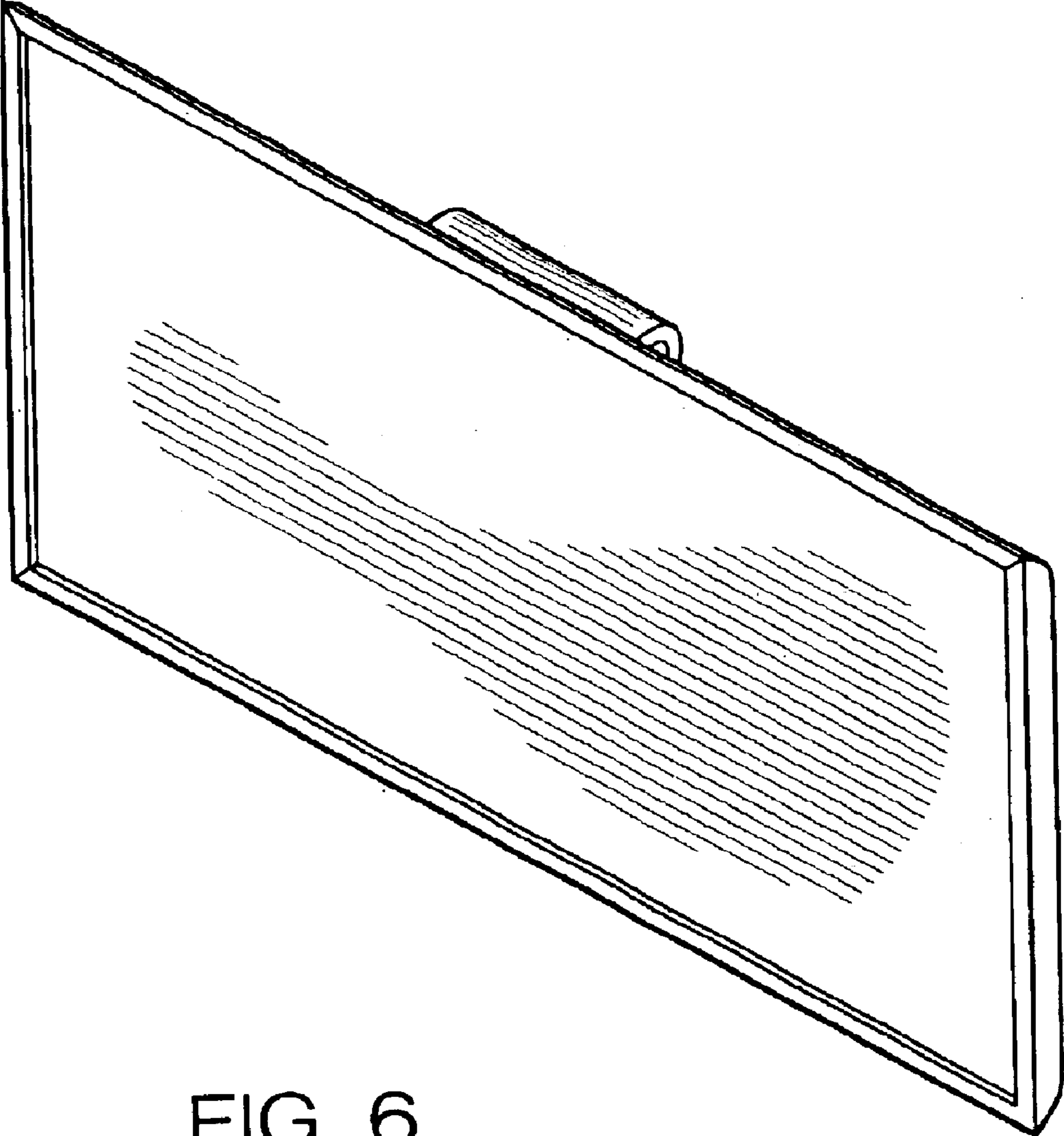


FIG. 6