

US00D493953S1

(12) **United States Design Patent**
Chang

(10) **Patent No.:** **US D493,953 S**

(45) **Date of Patent:** **** Aug. 10, 2004**

(54) **SHOE SPIKE**

D460,605 S * 7/2002 Whittington D2/902

(76) **Inventor:** **Feng-Cheng Chang**, 6F, No. 118, Sec. 2, Ta-An Rd., Taipei (TW)

* cited by examiner

Primary Examiner—Dominic Simone

(**) **Term:** **14 Years**

(74) *Attorney, Agent, or Firm*—Rosenberg, Klein & Lee

(21) **Appl. No.:** **29/177,906**

(57) **CLAIM**

(22) **Filed:** **Mar. 19, 2003**

The ornamental design for a “shoe spike,” as shown and described.

(51) **LOC (7) Cl.** **02-99**

DESCRIPTION

(52) **U.S. Cl.** **D2/962**

(58) **Field of Search** D2/906, 946, 962;
36/67 A, 134

FIG. 1 is a perspective view of a “shoe spike” showing my new design;

FIG. 2 is a front view thereof;

FIG. 3 is a rear view thereof;

FIG. 4 is a left side view thereof;

FIG. 5 is a right side view thereof;

FIG. 6 is a top view thereof;

FIG. 7 is a bottom view thereof; and,

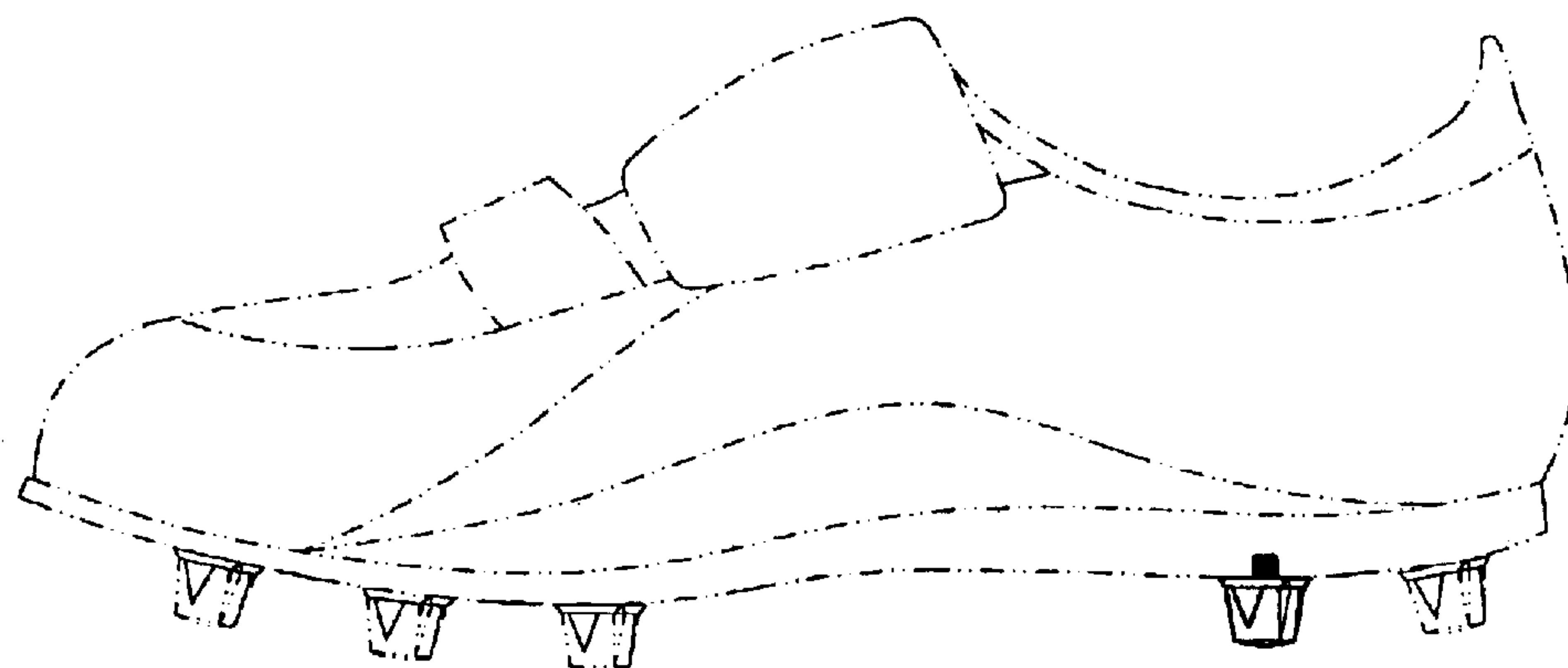
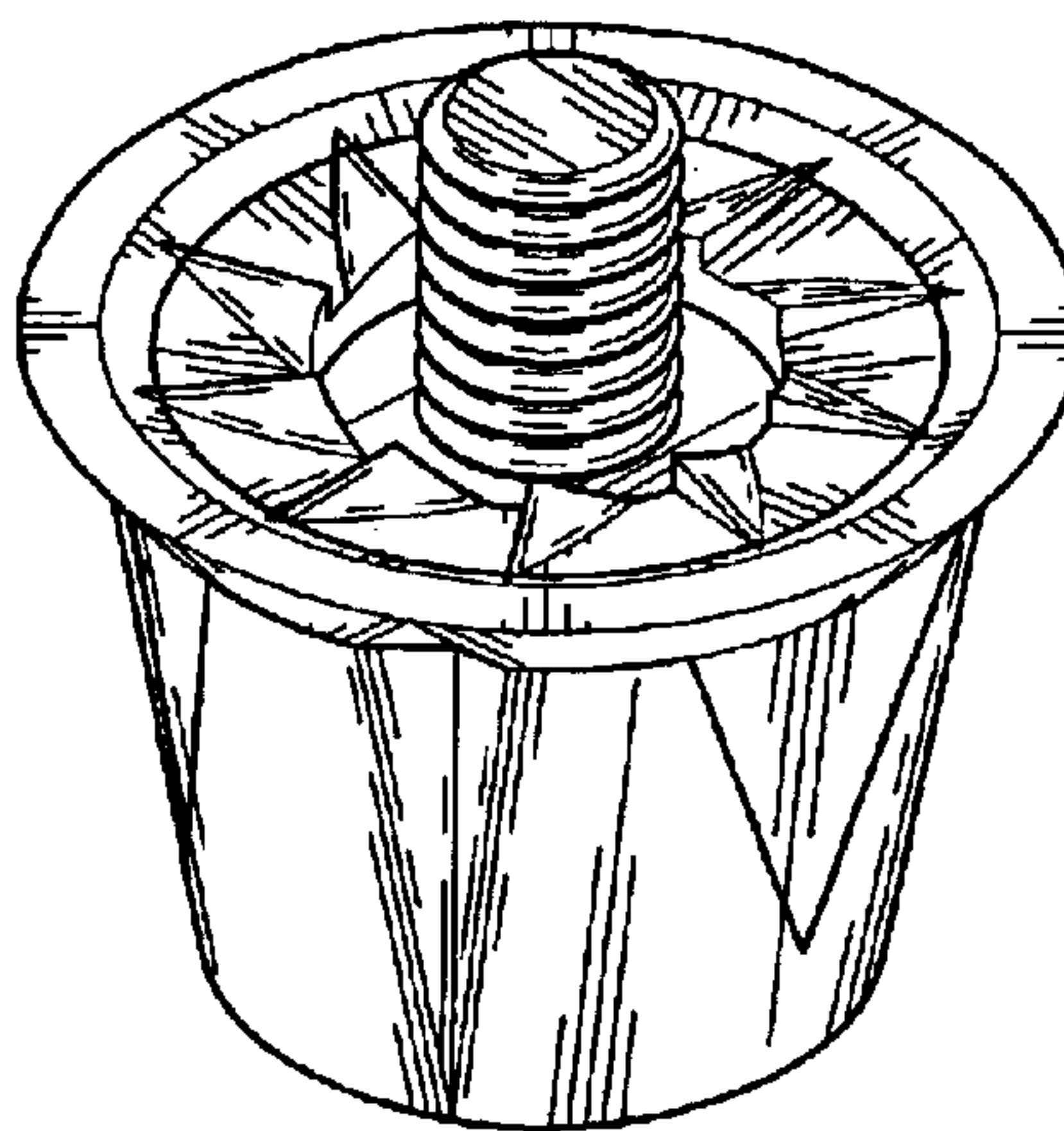
FIG. 8 is the perspective view showing the practical usage thereof.

(56) **References Cited**

U.S. PATENT DOCUMENTS

3,413,737 A	*	12/1968	Kneebusch	36/134
4,644,672 A	*	2/1987	Dassler et al.	36/134
5,386,651 A	*	2/1995	Okamoto	36/134
5,901,473 A	*	5/1999	Heifort, IV	36/134
D450,432 S	*	11/2001	Savoie	D2/962
6,367,167 B1	*	4/2002	Krstic et al.	36/67 A

1 Claim, 5 Drawing Sheets



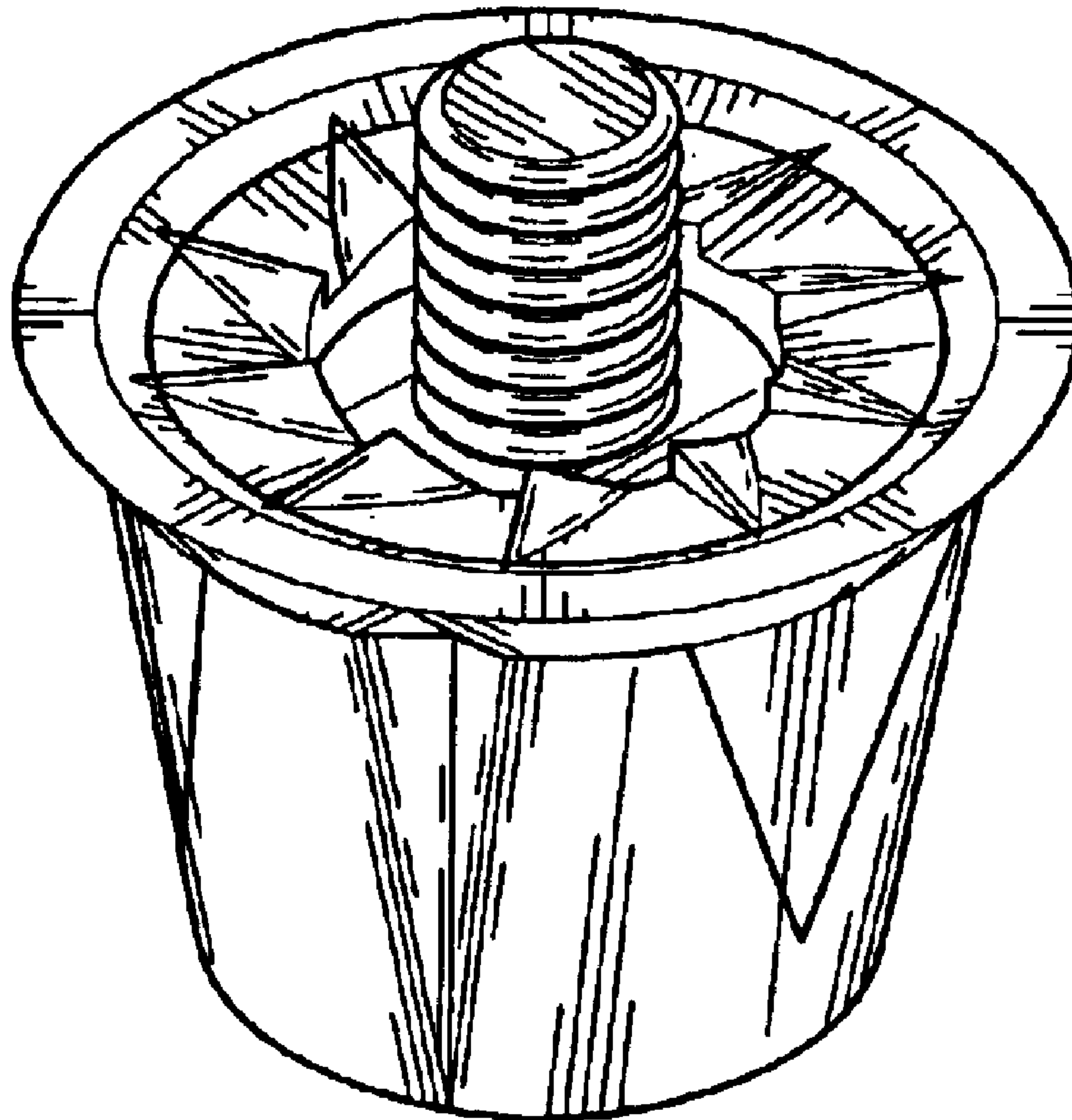


FIG. 1

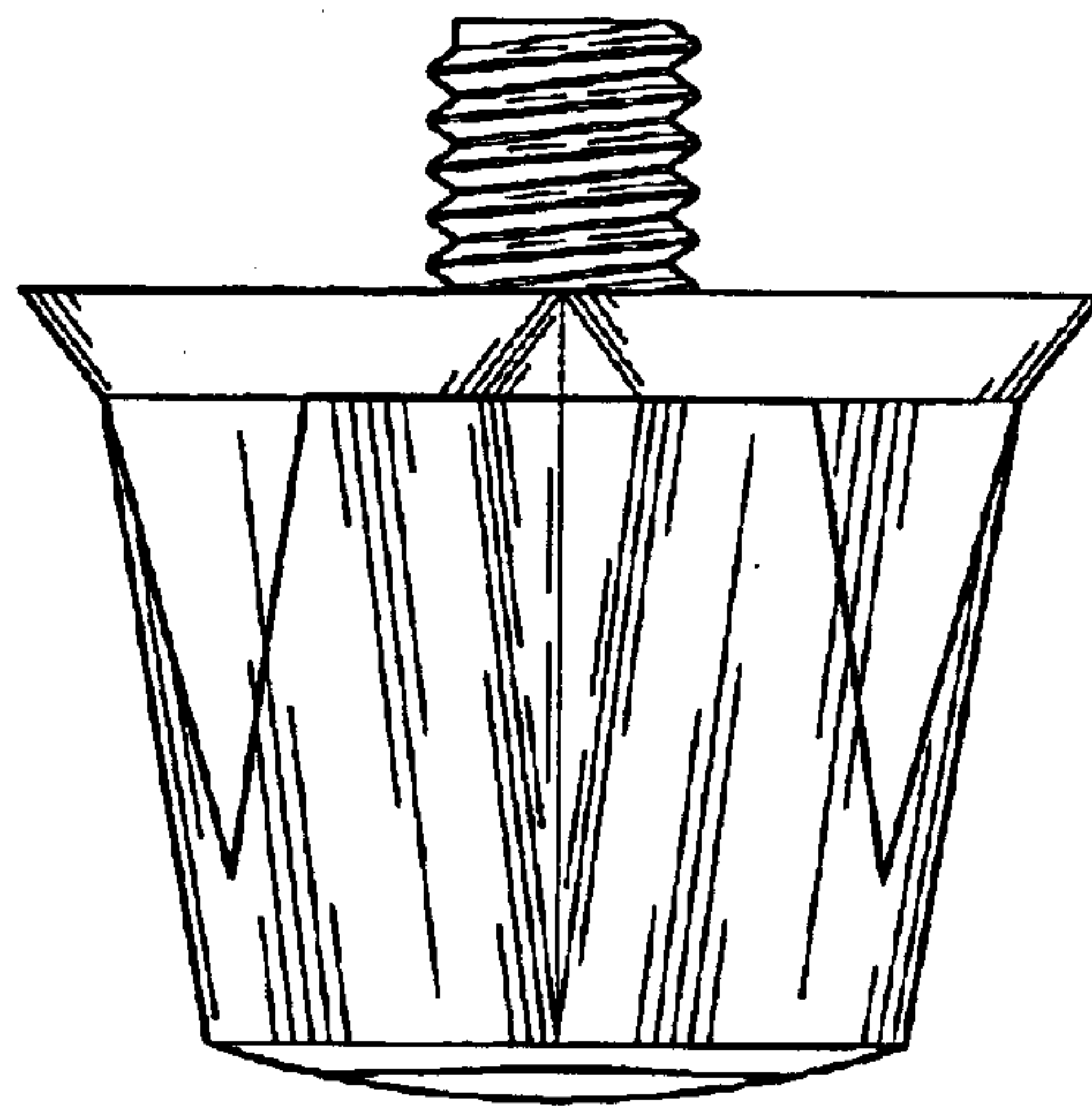


FIG. 2

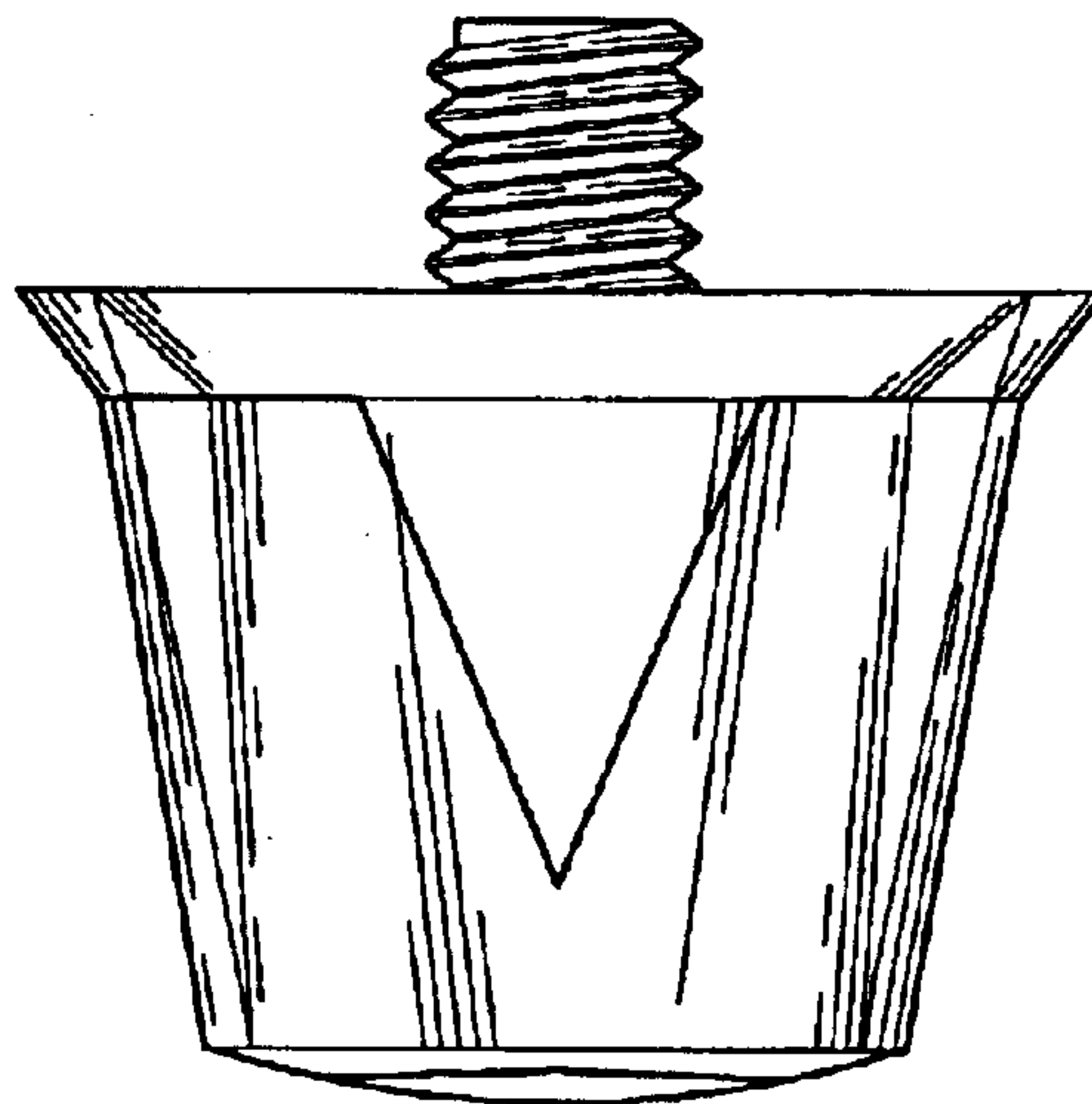


FIG. 3

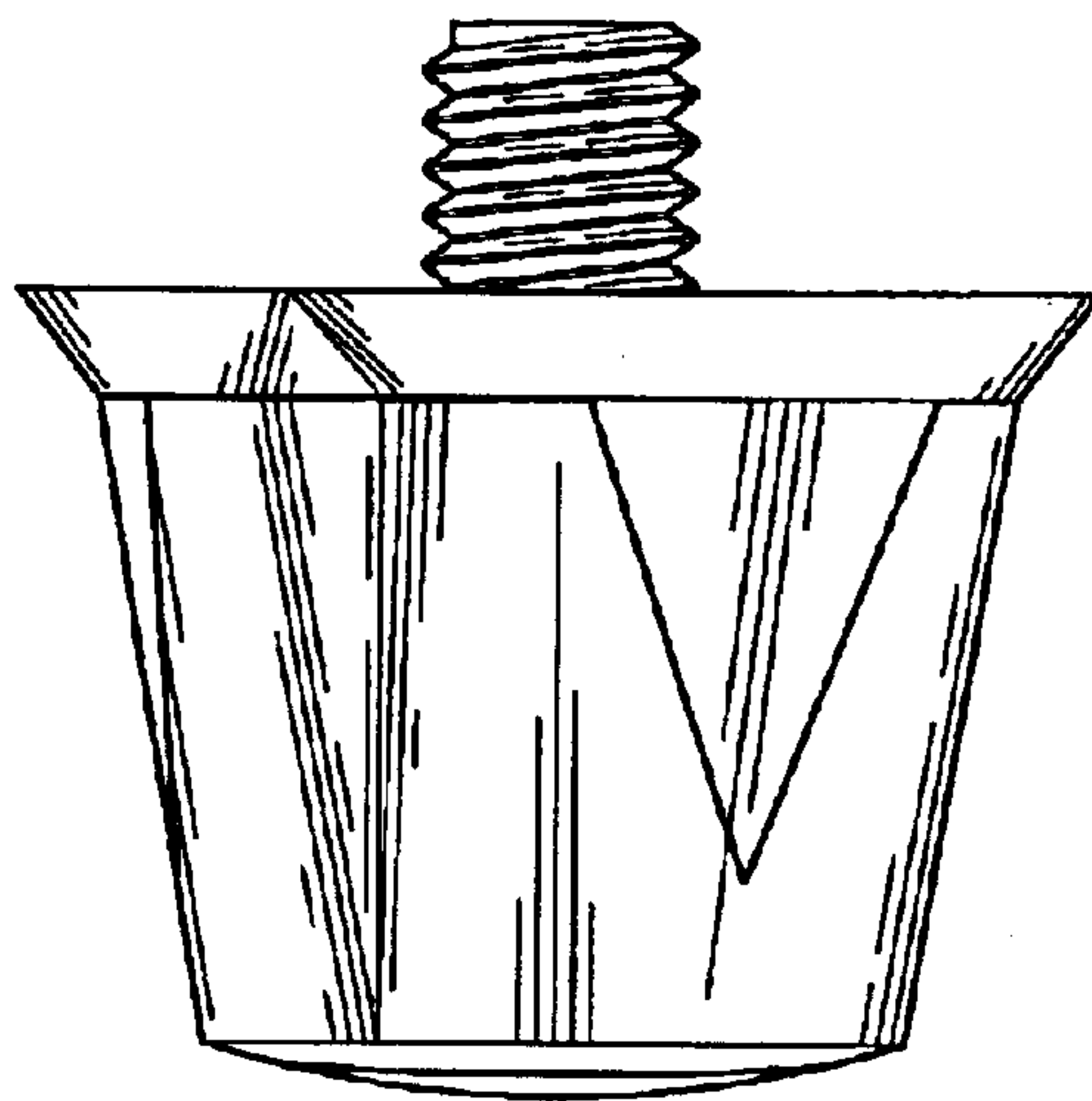


FIG. 4

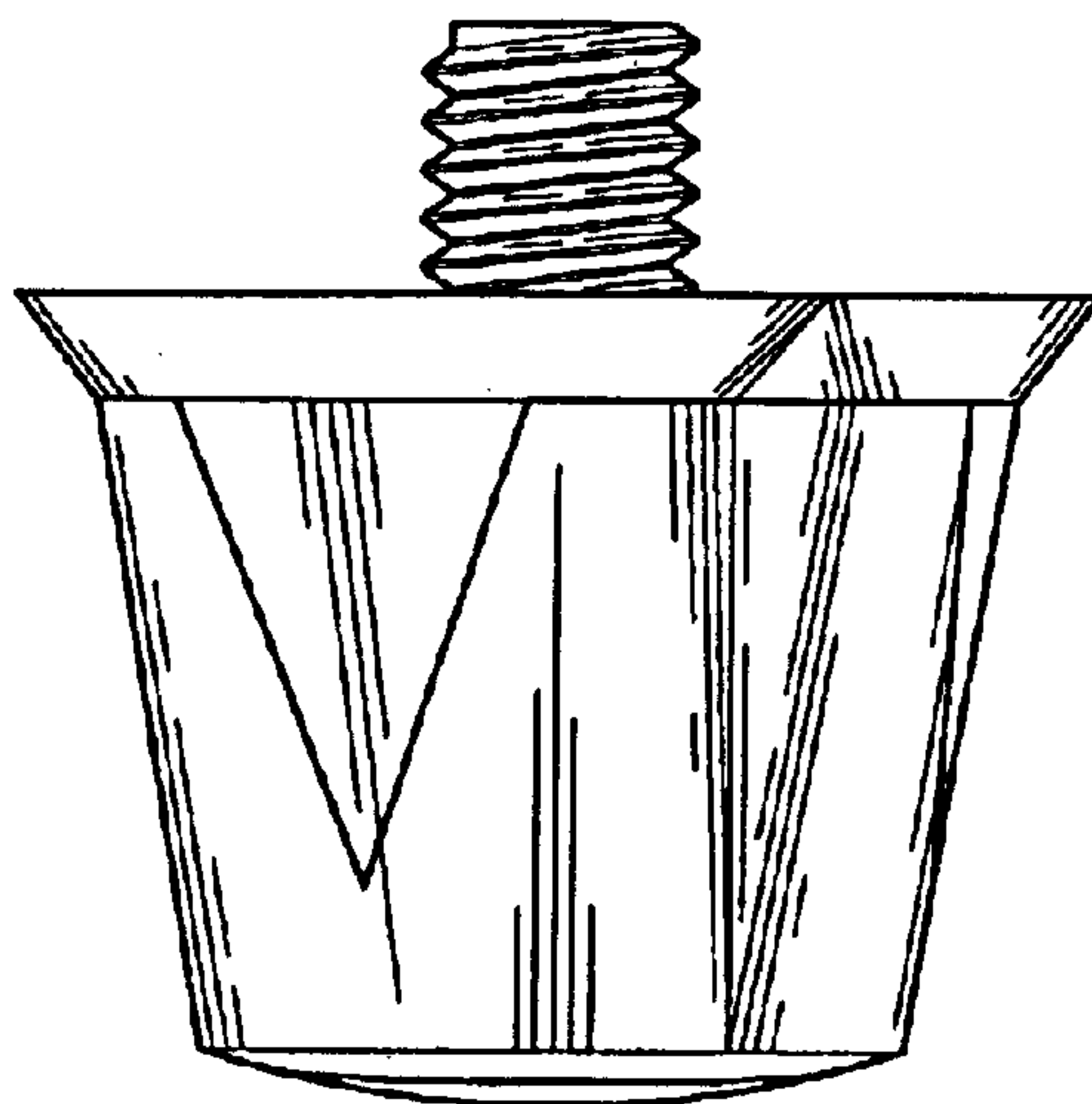


FIG. 5

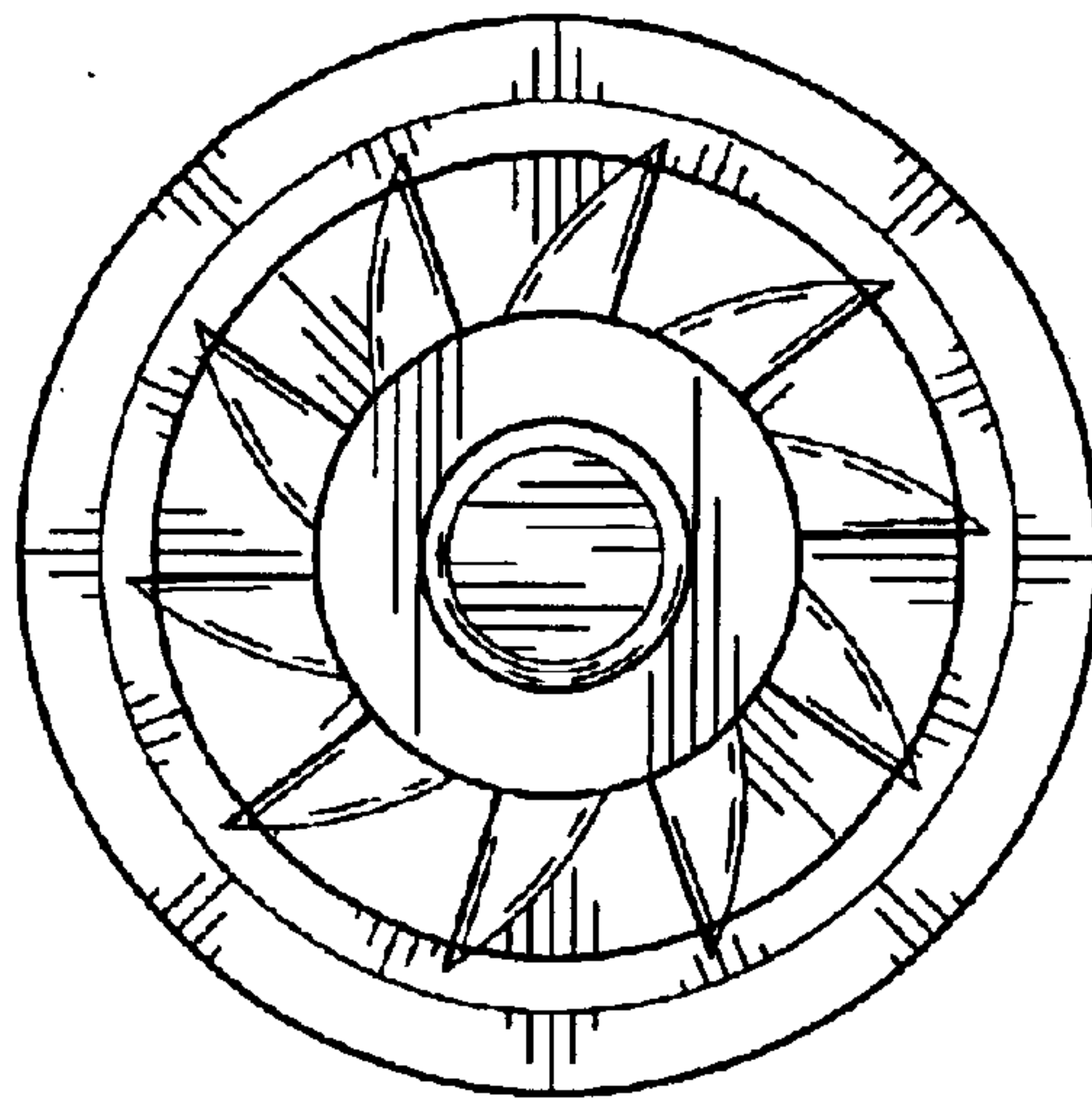


FIG. 6

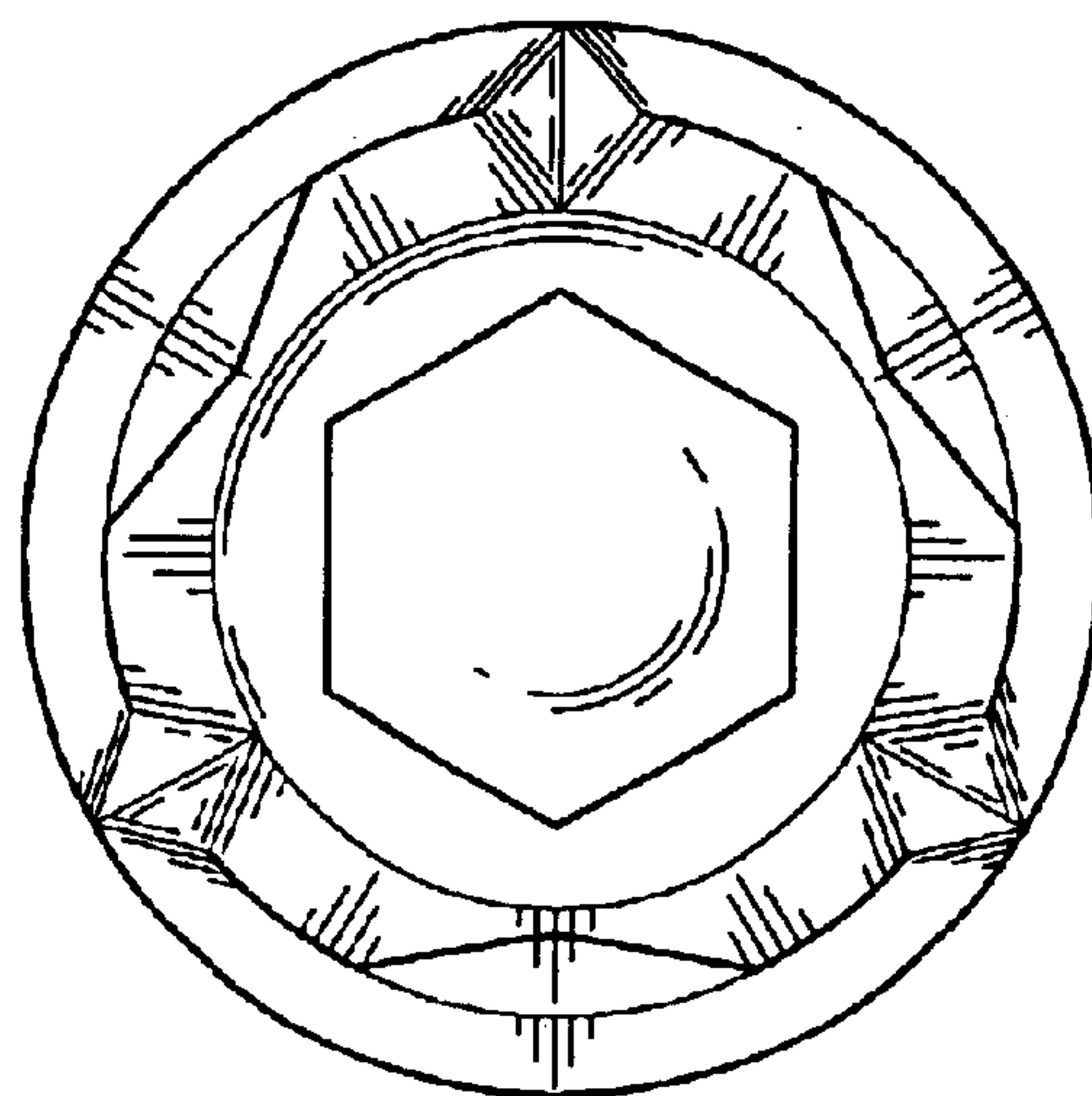


FIG. 7

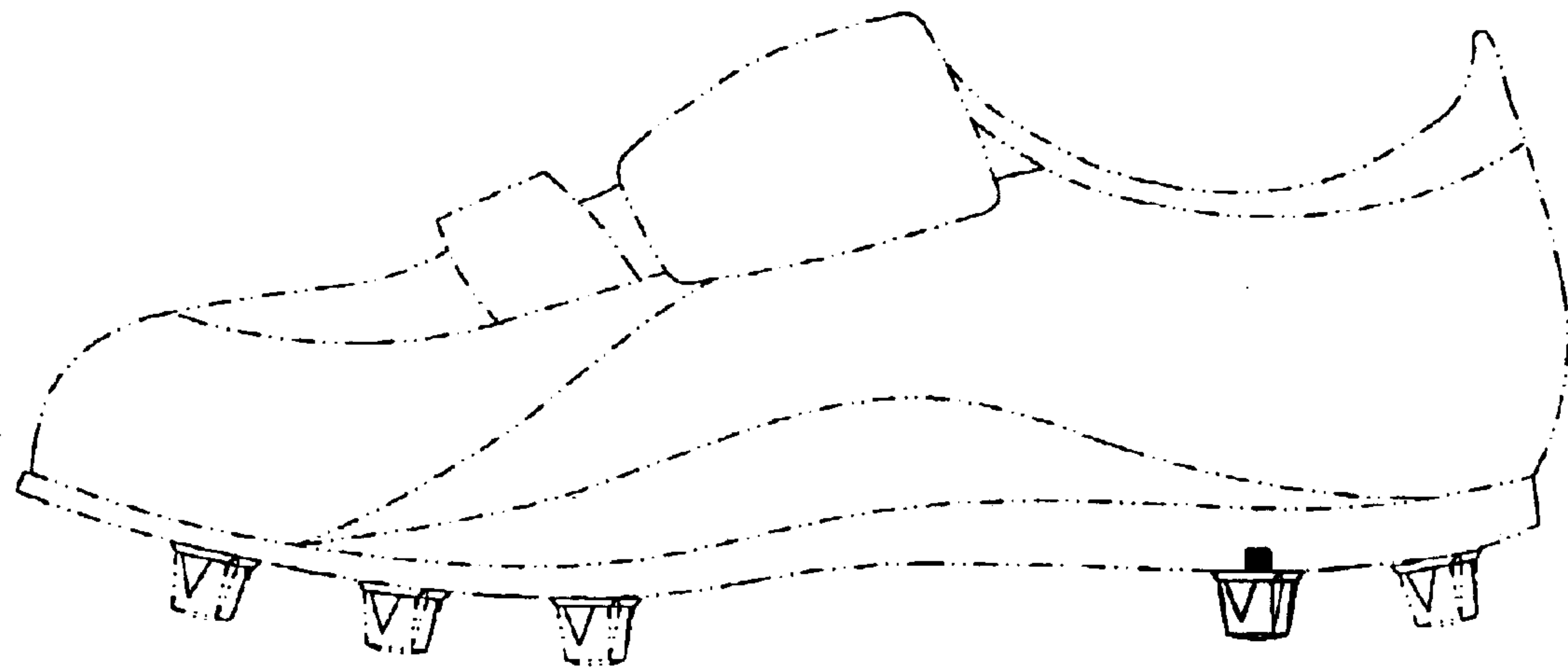


FIG. 8