

US00D493948S1

(12) **United States Design Patent**
Park

(10) **Patent No.:** **US D493,948 S**

(45) **Date of Patent:** **** Aug. 10, 2004**

(54) **REAR CROWN PORTION OF A CAP**

(75) Inventor: **Boo Yi Park**, Seoul (KR)

(73) Assignee: **Dada Corp.**, Seoul (KR)

(**) Term: **14 Years**

(21) Appl. No.: **29/179,469**

(22) Filed: **Apr. 11, 2003**

(51) **LOC (7) Cl.** **02-03**

(52) **U.S. Cl.** **D2/882**

(58) **Field of Search** D2/865, 869, 872,
D2/873, 876, 879, 881, 882, 884, 891,
893; 2/171, 181, 195.1, 195.2, 209.13,
171.1, 171.7, 175.1, 209.12

(56) **References Cited**

U.S. PATENT DOCUMENTS

4,611,355	A	*	9/1986	Galanto et al.	2/209.13
4,873,726	A	*	10/1989	Tapia	2/195.1
4,989,270	A	*	2/1991	Boughten	2/171.7
5,099,524	A		3/1992	Linday		
D386,889	S	*	12/1997	Bell	D2/884
D400,692	S	*	11/1998	Bell	D2/882
5,887,285	A		3/1999	McCormick		
D452,768	S	*	1/2002	Park	D2/882

OTHER PUBLICATIONS

Hat, marked as A, Supreme Hats Mfg. Co., p. 281, Hong Kong Enterprise catalog, vol. 5, 1983.*

* cited by examiner

Primary Examiner—Stacia Cadmus

Assistant Examiner—Mimosa De

(57) **CLAIM**

The ornamental design for “rear crown portion of a cap,” as shown and described.

DESCRIPTION

FIG. 1 is a perspective view for “rear crown portion of a cap” showing my new design.

FIG. 2 is a rear view of FIG. 1

FIG. 3 is a reduced top view of FIG. 1

FIG. 4 is a perspective view of second embodiment of “rear crown portion of a cap” showing my new design.

FIG. 5 is a rear view of FIG. 4

FIG. 6 is a reduced top view of FIG. 4

FIG. 7 is a perspective view of third embodiment of “rear crown portion of a cap” showing my new design.

FIG. 8 is a rear view of FIG. 7; and,

FIG. 9 is a reduced top view of FIG. 7.

The broken line showing of the crown and the visor is for illustrative purposes only and forms no part of the claimed design, and the broken line shown in the solid line on the part of the crown represents stitching.

1 Claim, 5 Drawing Sheets

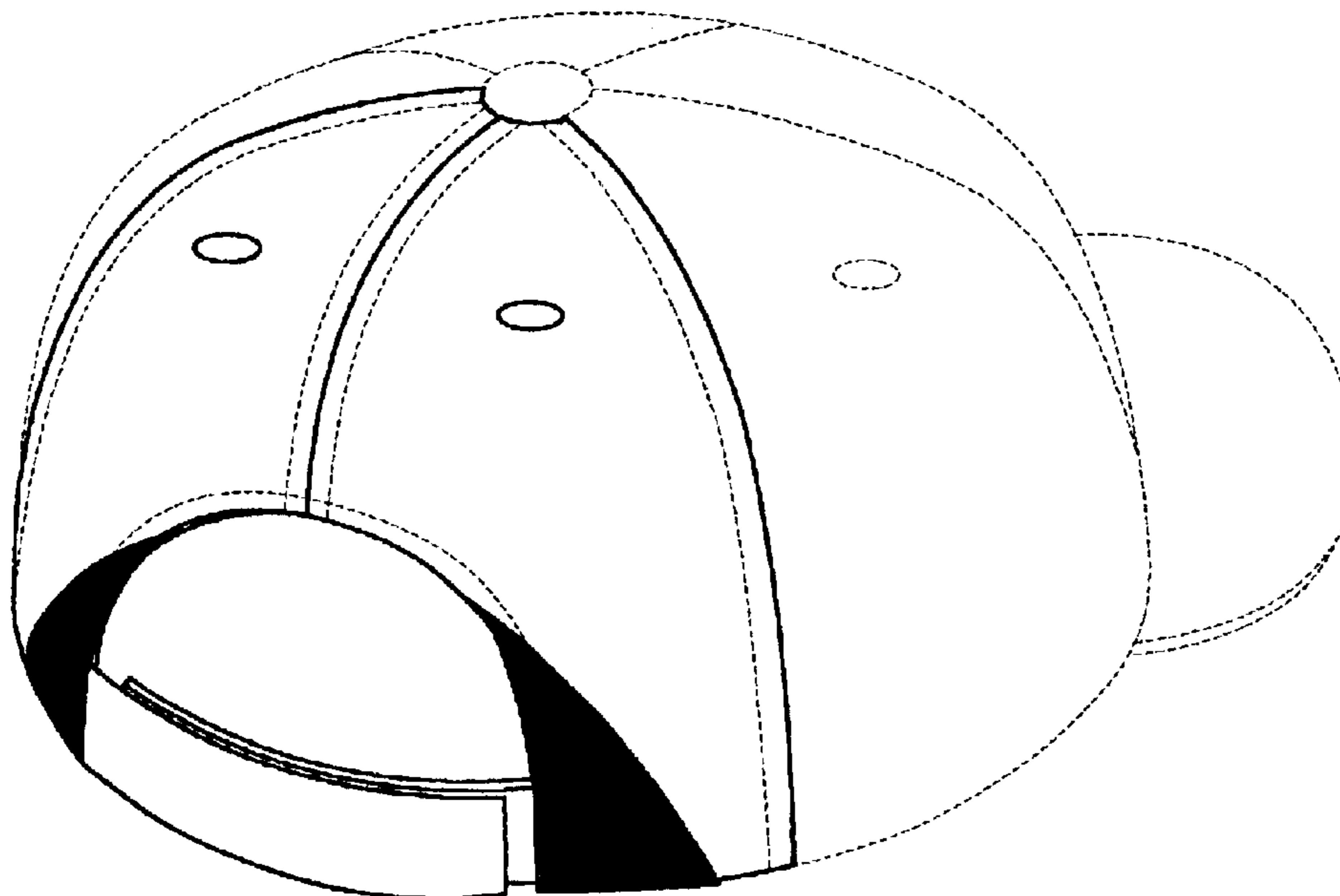


FIG.1

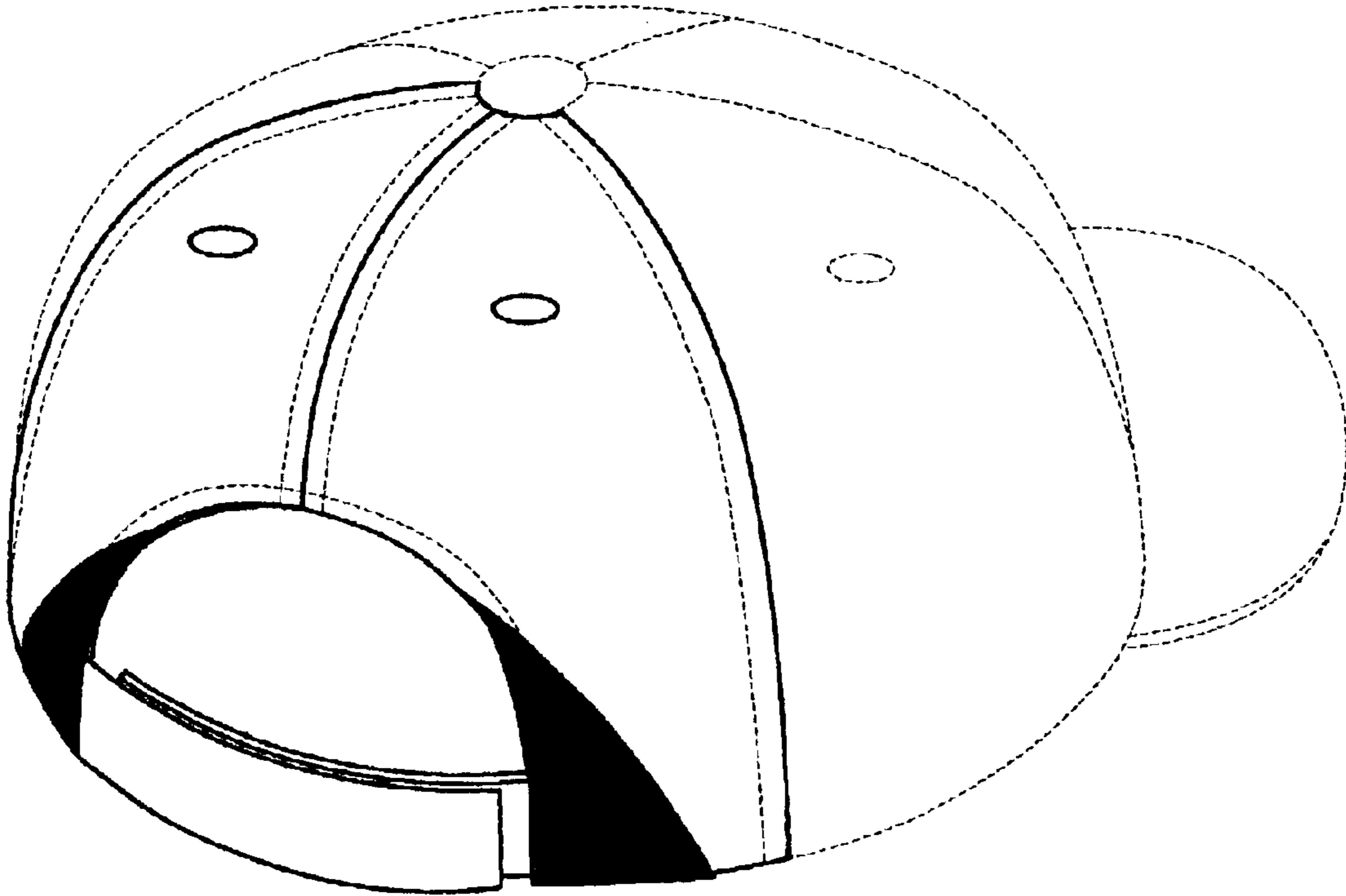


FIG.2

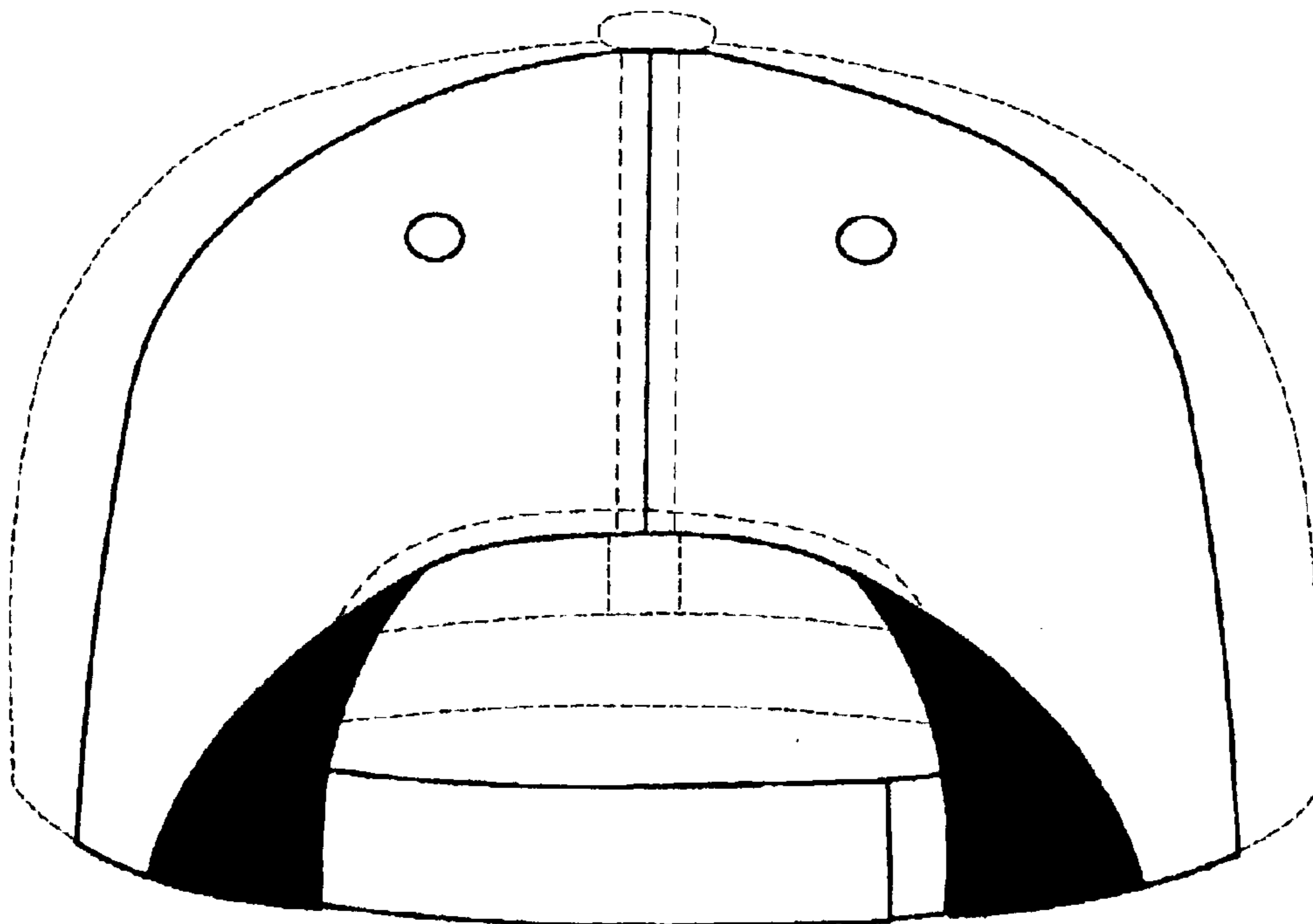


FIG.3

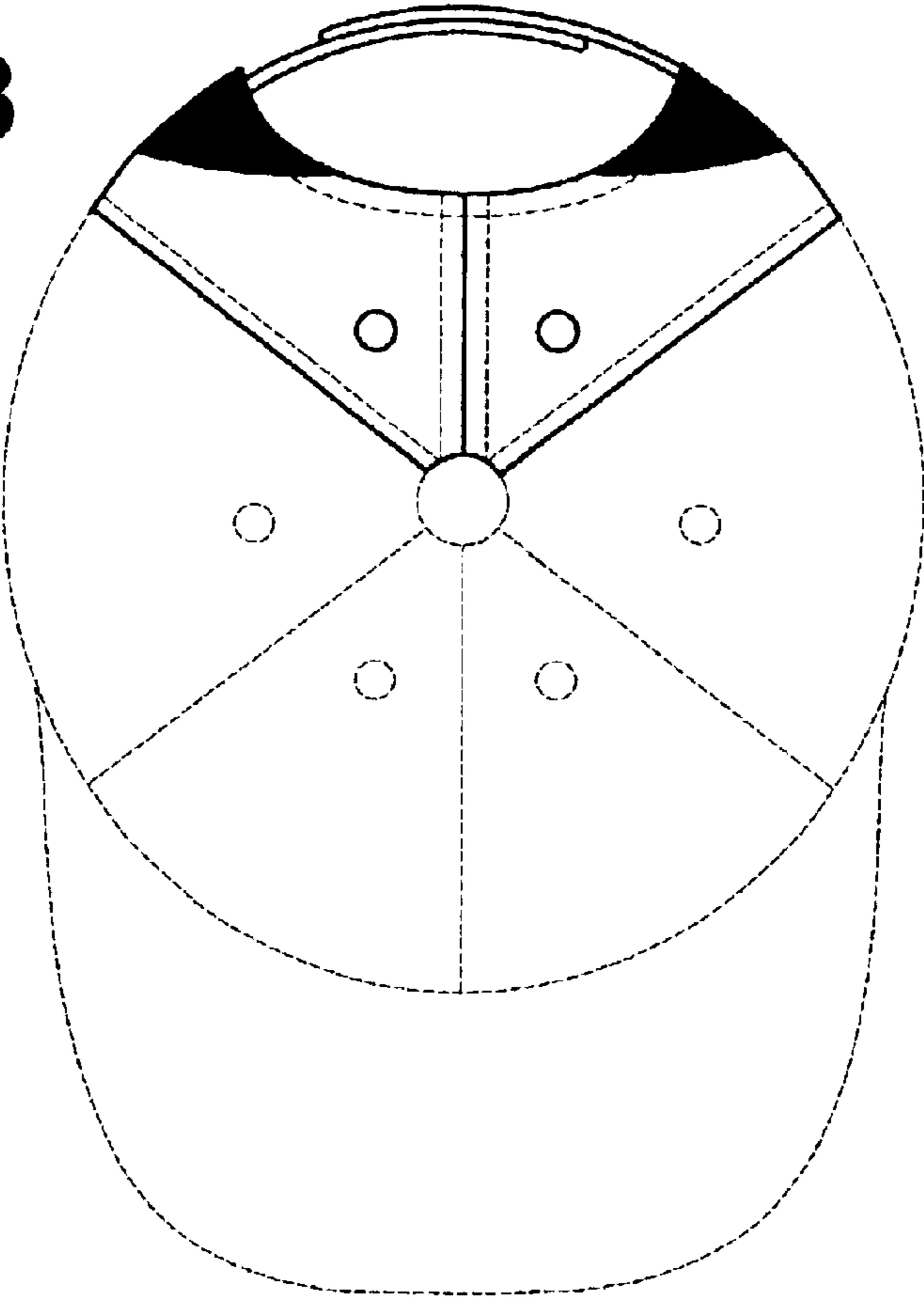


FIG.4

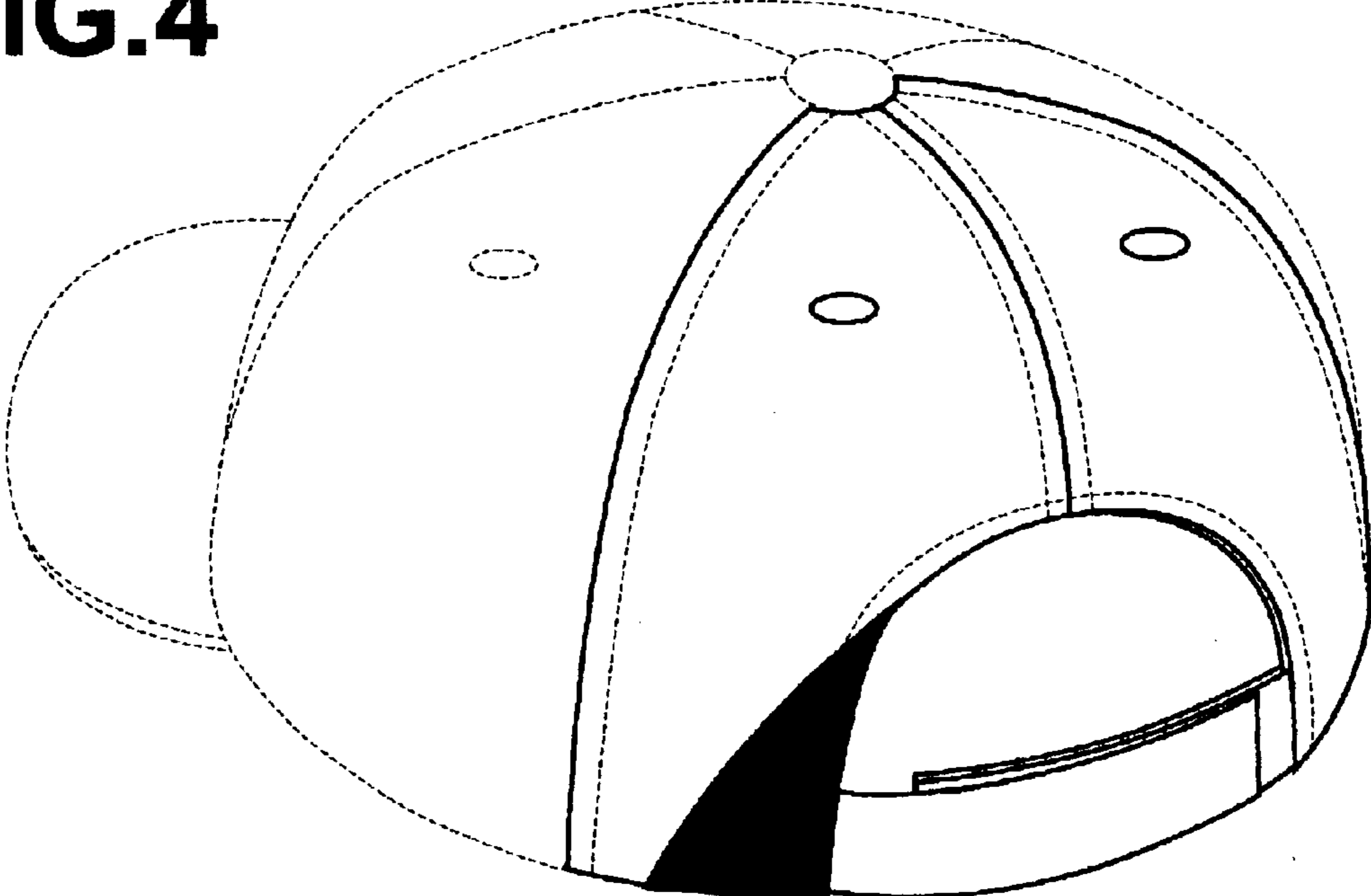


FIG.5

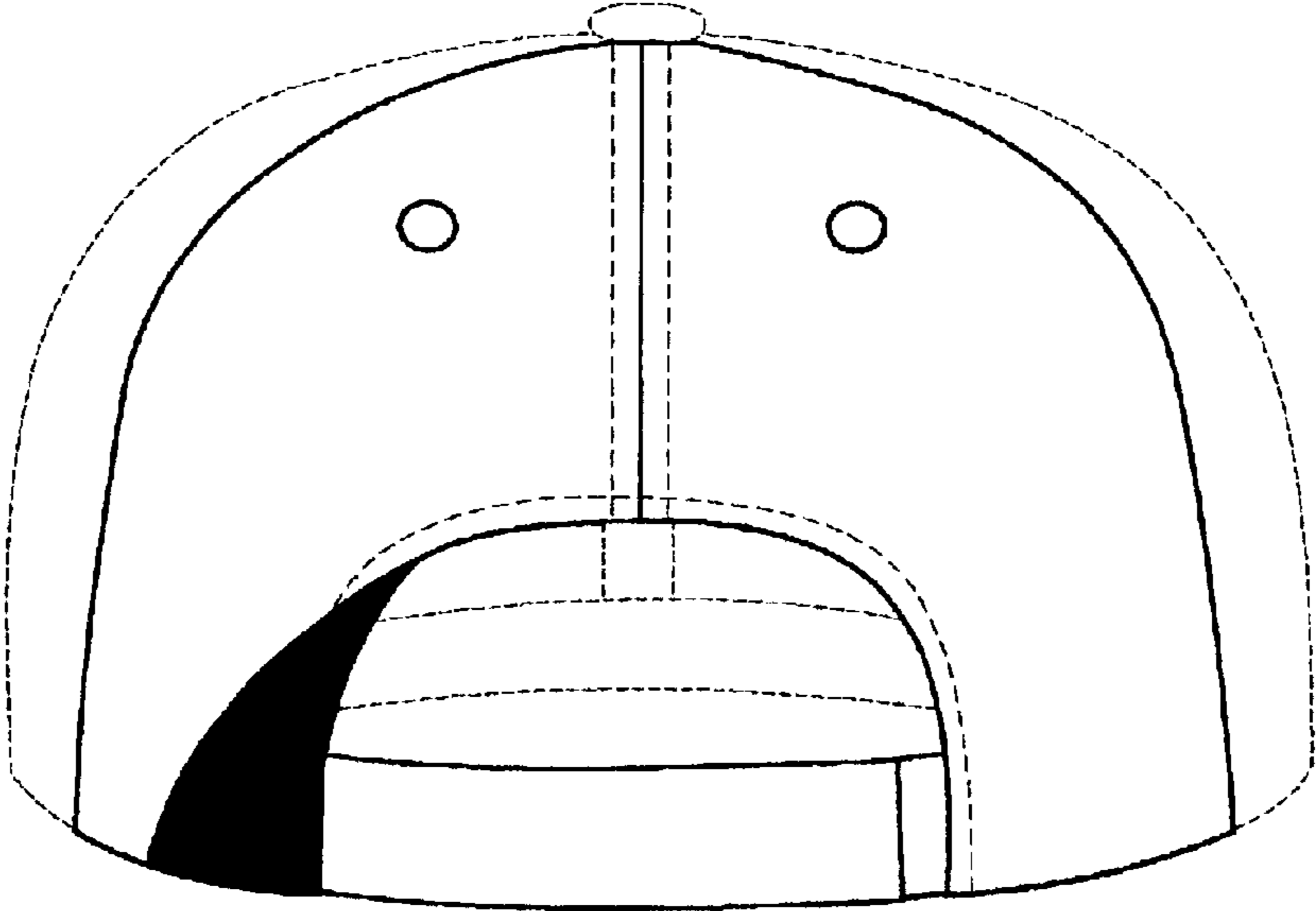


FIG.6

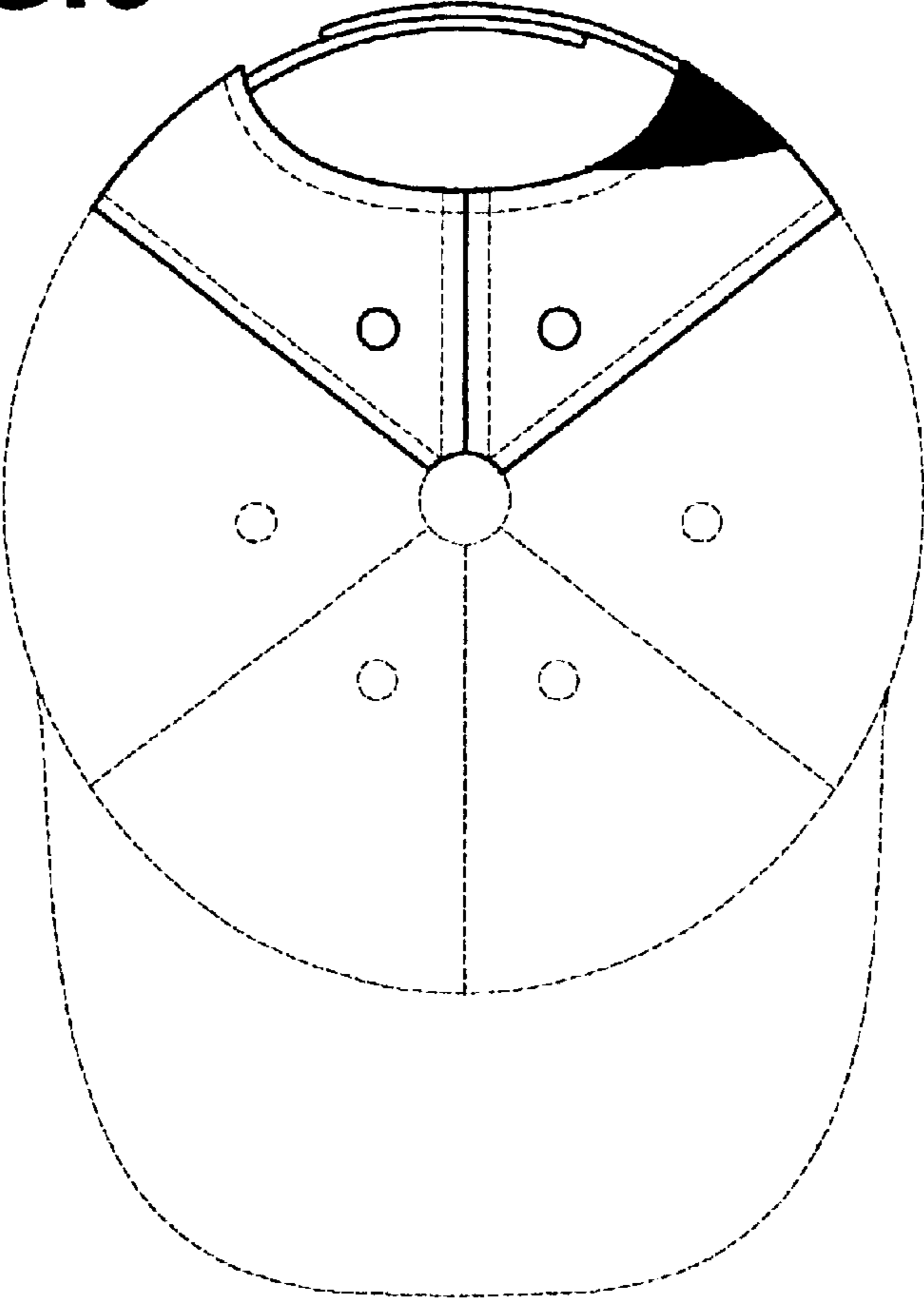


FIG.7

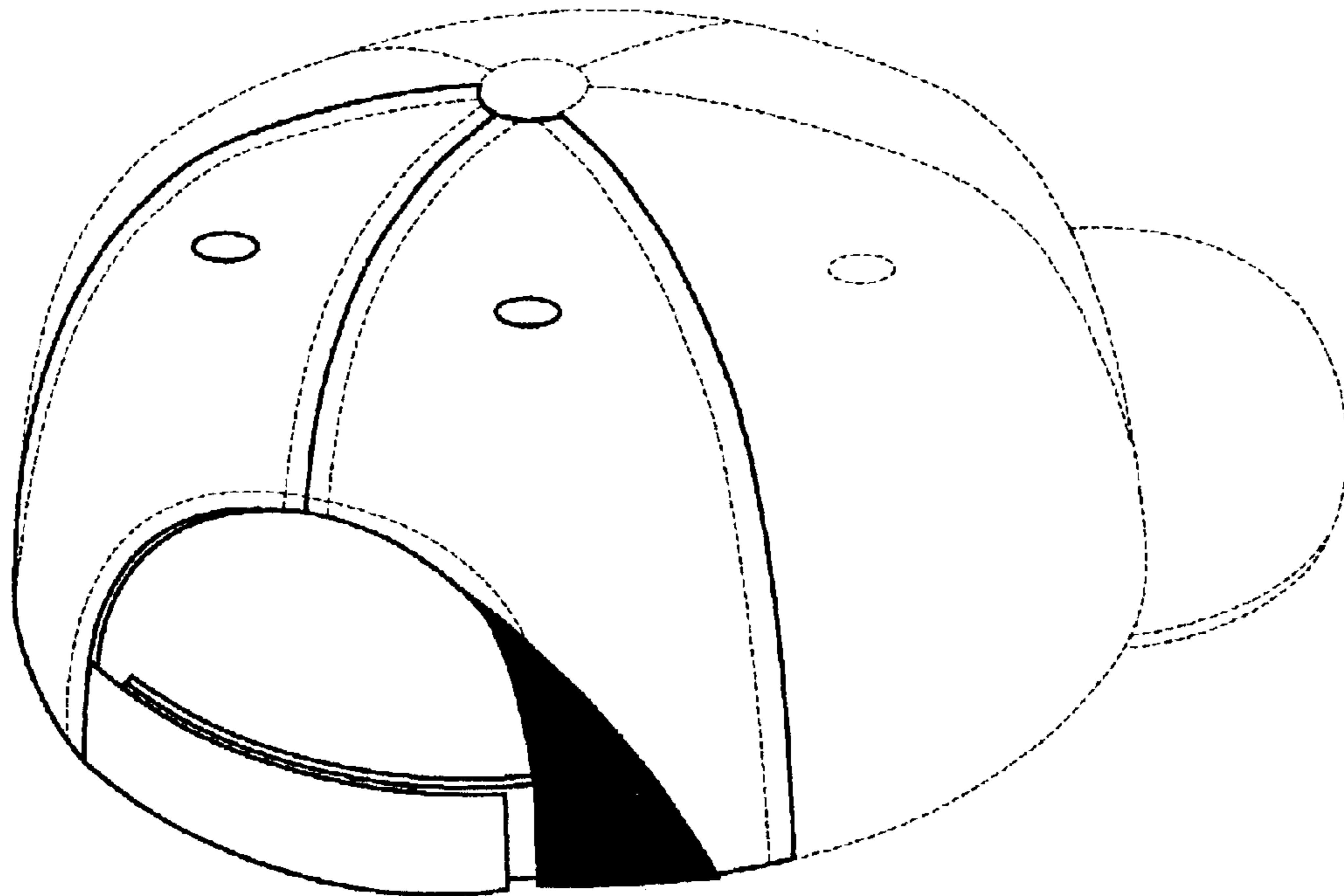


FIG.8

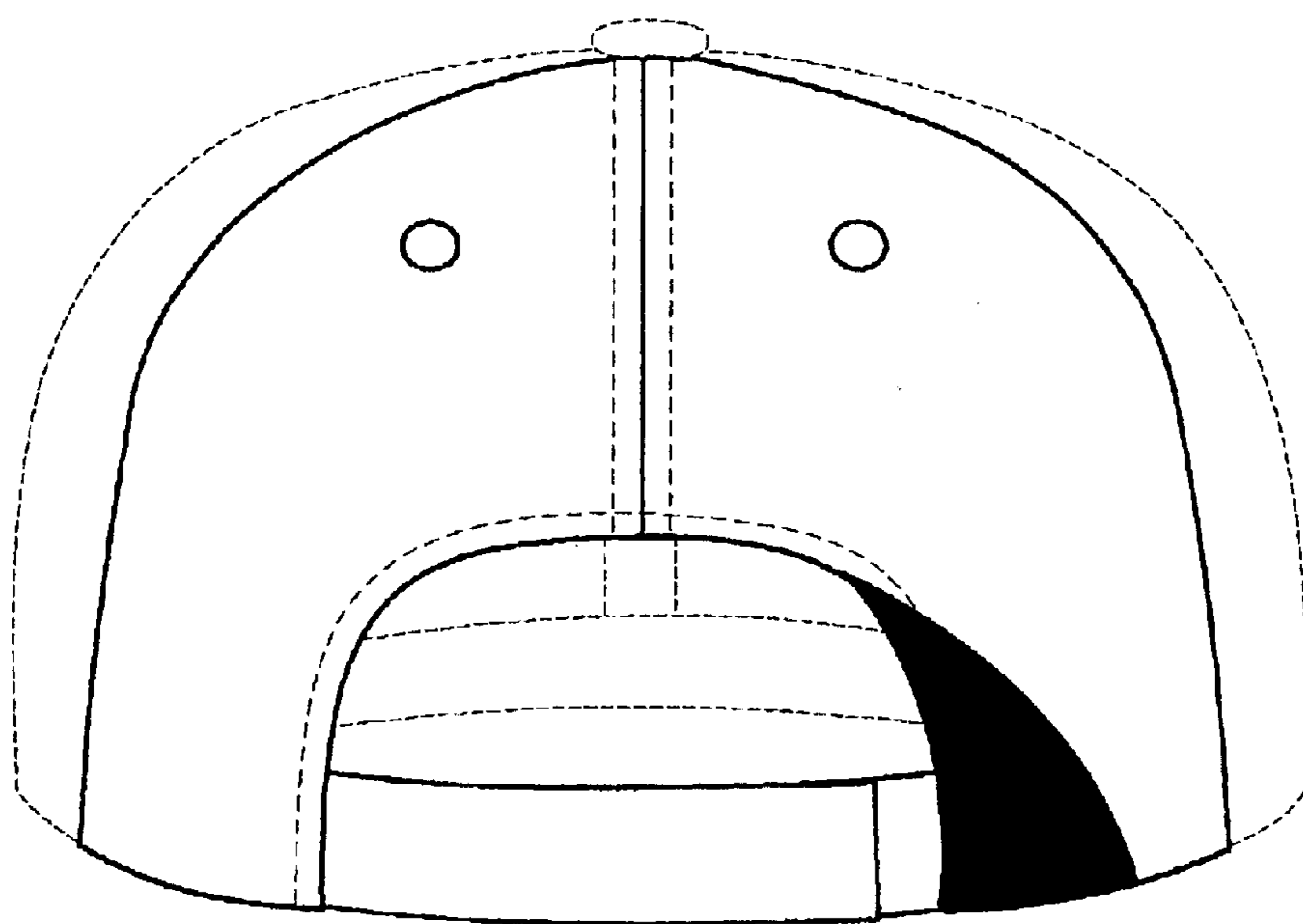


FIG.9

