

US00D493942S1

(12) **United States Design Patent**
Shecter

(10) **Patent No.:** **US D493,942 S**

(45) **Date of Patent:** **** Aug. 10, 2004**

(54) **CANDY WRISTWATCH**

(76) **Inventor:** **Jules R. Shecter**, 2678 NW. 42nd St.,
Boca Raton, FL (US) 33434

(**) **Term:** **14 Years**

(21) **Appl. No.:** **29/195,807**

(22) **Filed:** **Dec. 17, 2003**

(51) **LOC (7) Cl.** **01-01**

(52) **U.S. Cl.** **D1/106; D1/127; 426/104**

(58) **Field of Search** **D1/106, 127, 101-102;**
D9/329, 307; 434/304; 426/104; D19/64;
D21/531; D10/32-33; 473/508, 576, 506;
273/453

(56) **References Cited**

U.S. PATENT DOCUMENTS

3,863,924	A	*	2/1975	Gagnon	273/335
D359,917	S	*	7/1995	Haenni	D10/33
5,842,621	A	*	12/1998	Gschwind	224/682
6,368,241	B1	*	4/2002	Abel	473/508
D470,778	S	*	2/2003	Berke	D10/32

* cited by examiner

Primary Examiner—Pamela Burgess

(74) *Attorney, Agent, or Firm*—Robert M. Downey, PA

(57) **CLAIM**

The ornamental design for a candy wristwatch, as shown and described.

DESCRIPTION

FIG. 1 is a top perspective view of a candy wristwatch showing my new design;

FIG. 2 is a top plan view thereof;

FIG. 3 is a bottom plan view thereof;

FIG. 4 is a right side elevational view thereof;

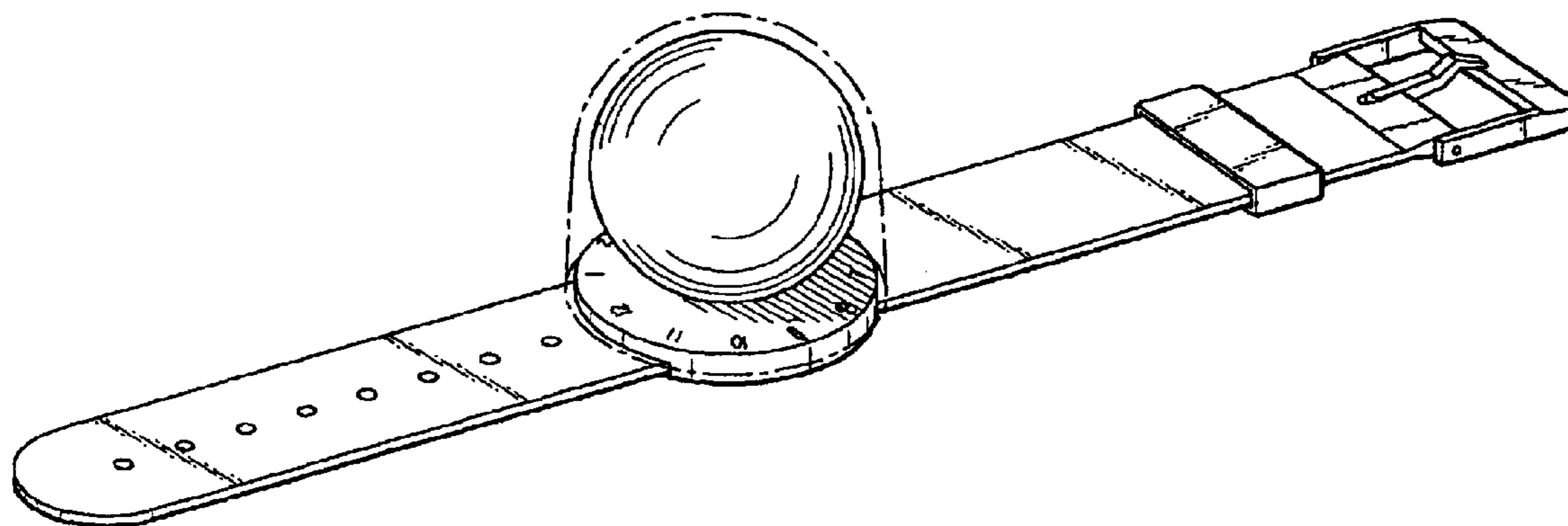
FIG. 5 is a left side elevational view thereof;

FIG. 6 is a front elevational view thereof; and,

FIG. 7 is a rear elevational view thereof.

The broken lines showing the cover over the candy sphere on the face of watch dial throughout the drawing figures are for illustrative purposes only and form no part of the claimed design.

1 Claim, 2 Drawing Sheets



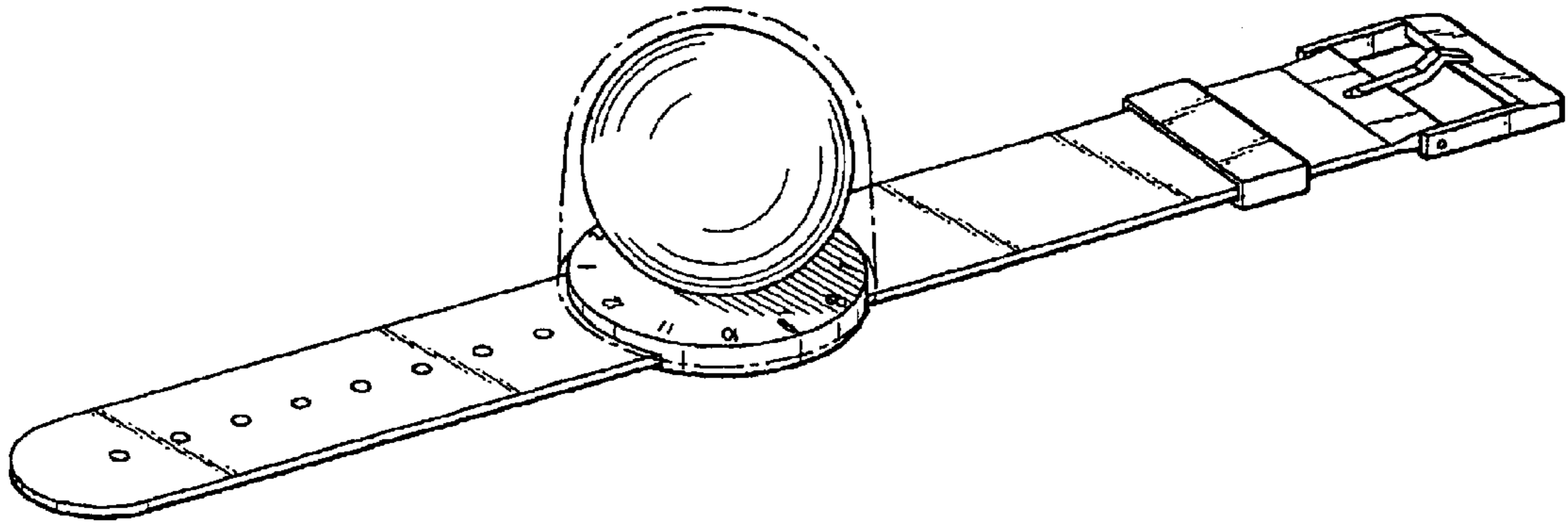


FIG. 1

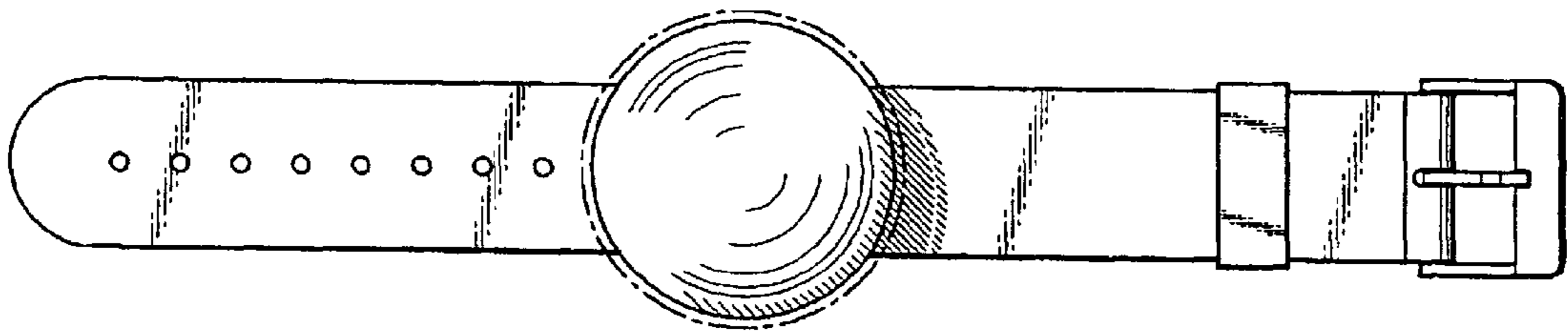


FIG. 2

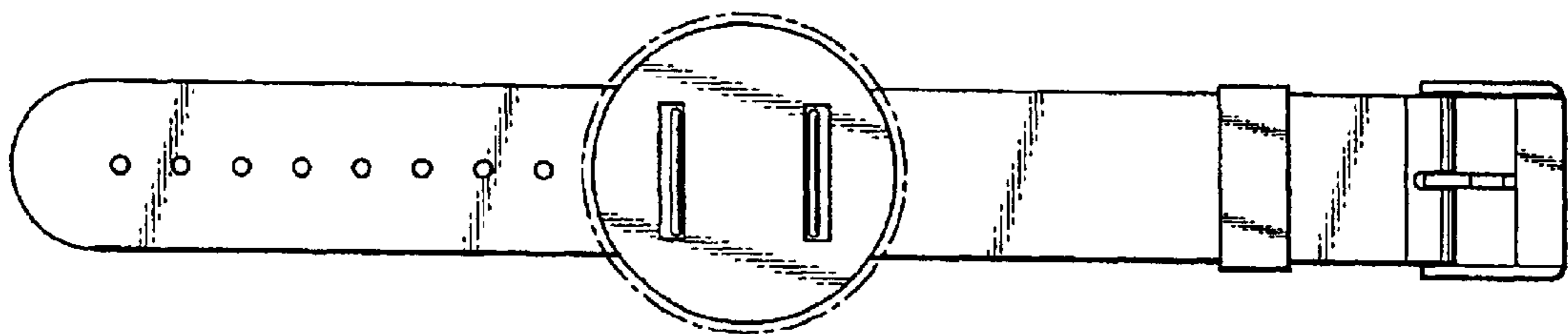


FIG. 3

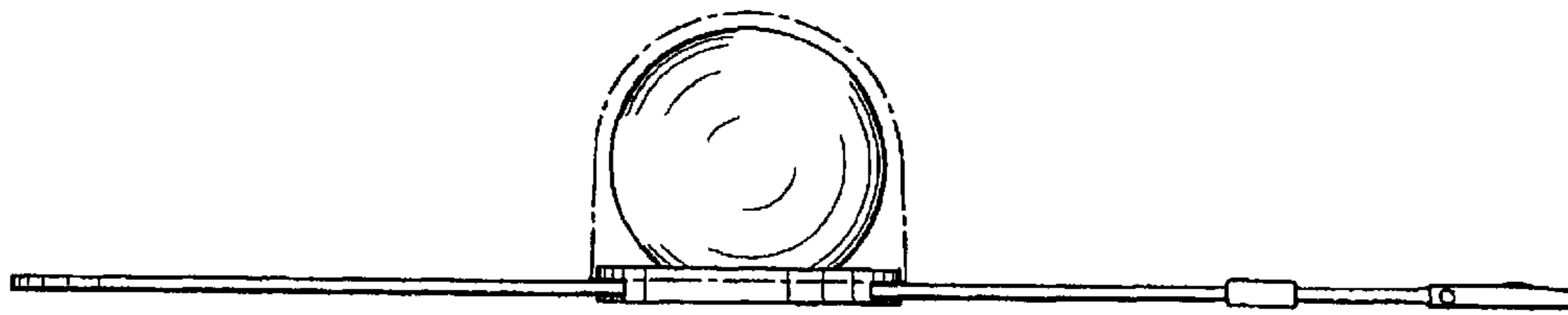


FIG. 4

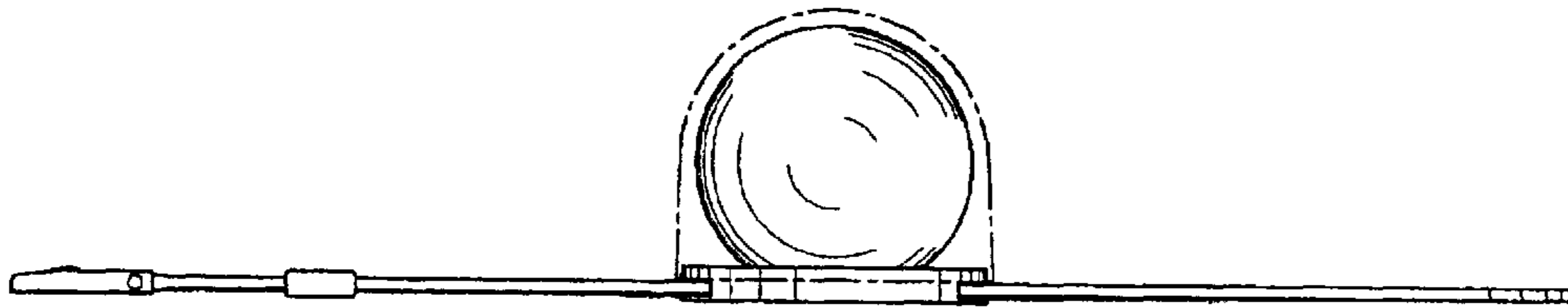


FIG. 5

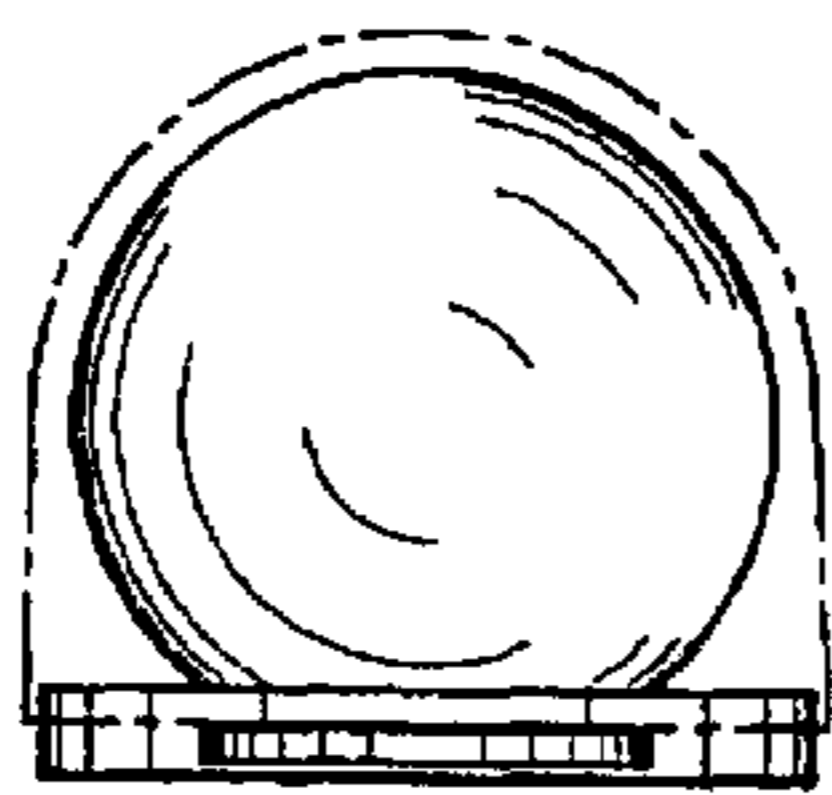


FIG. 6

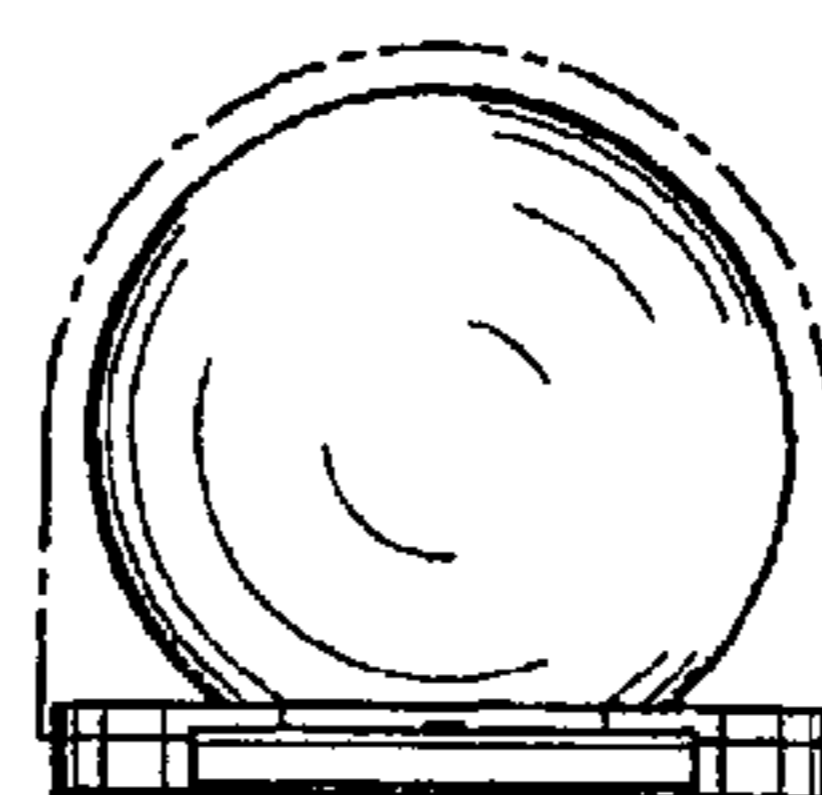


FIG. 7