

US00D493939S1

(12) **United States Design Patent**
Baumhogger et al.

(10) **Patent No.:** **US D493,939 S**

(45) **Date of Patent:** **** Aug. 3, 2004**

(54) **BODY COIN DISPENSER**

3,361,142 A * 1/1968 Shelton et al. 453/49
D455,245 S * 4/2002 Bakker D99/34
D477,451 S * 7/2003 Dupe D99/34

(75) Inventors: **Joachim Frank Baumhogger**, Willis,
TX (US); **Mark Oliver Baumhogger**,
Conroe, TX (US)

* cited by examiner

(73) Assignee: **Accessories Select, Inc.**, Willis, TX
(US)

Primary Examiner—Paula A. Greene
(74) *Attorney, Agent, or Firm*—Moser, Patterson &
Sheridan

(**) Term: **14 Years**

(57) **CLAIM**

(21) Appl. No.: **29/189,039**

The ornamental design for a body coin dispenser, as shown
and described.

(22) Filed: **Aug. 27, 2003**

(51) **LOC (7) Cl.** **99-00**

(52) **U.S. Cl.** **D99/34**

(58) **Field of Search** D99/34, 35, 36,
D99/28; 453/49, 50, 54; 206/0.81, 0.83,
0.84

DESCRIPTION

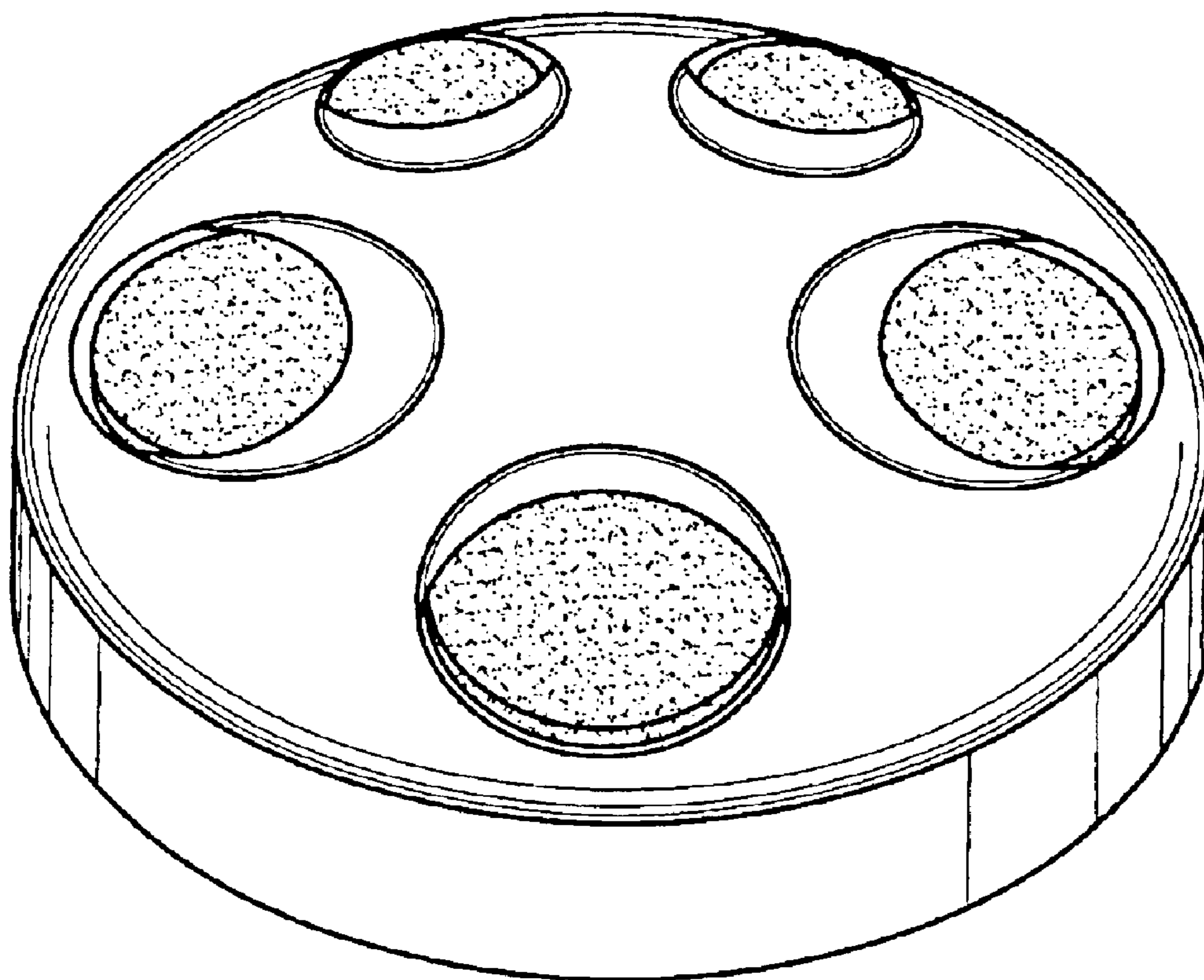
FIG. 1 is a top perspective view of the invention.
FIG. 2 is a side view of the invention.
FIG. 3 is a top view of the invention; and,
FIG. 4 is a bottom view of the invention.

(56) **References Cited**

U.S. PATENT DOCUMENTS

2,553,257 A * 5/1951 Honeyman 453/50

1 Claim, 2 Drawing Sheets



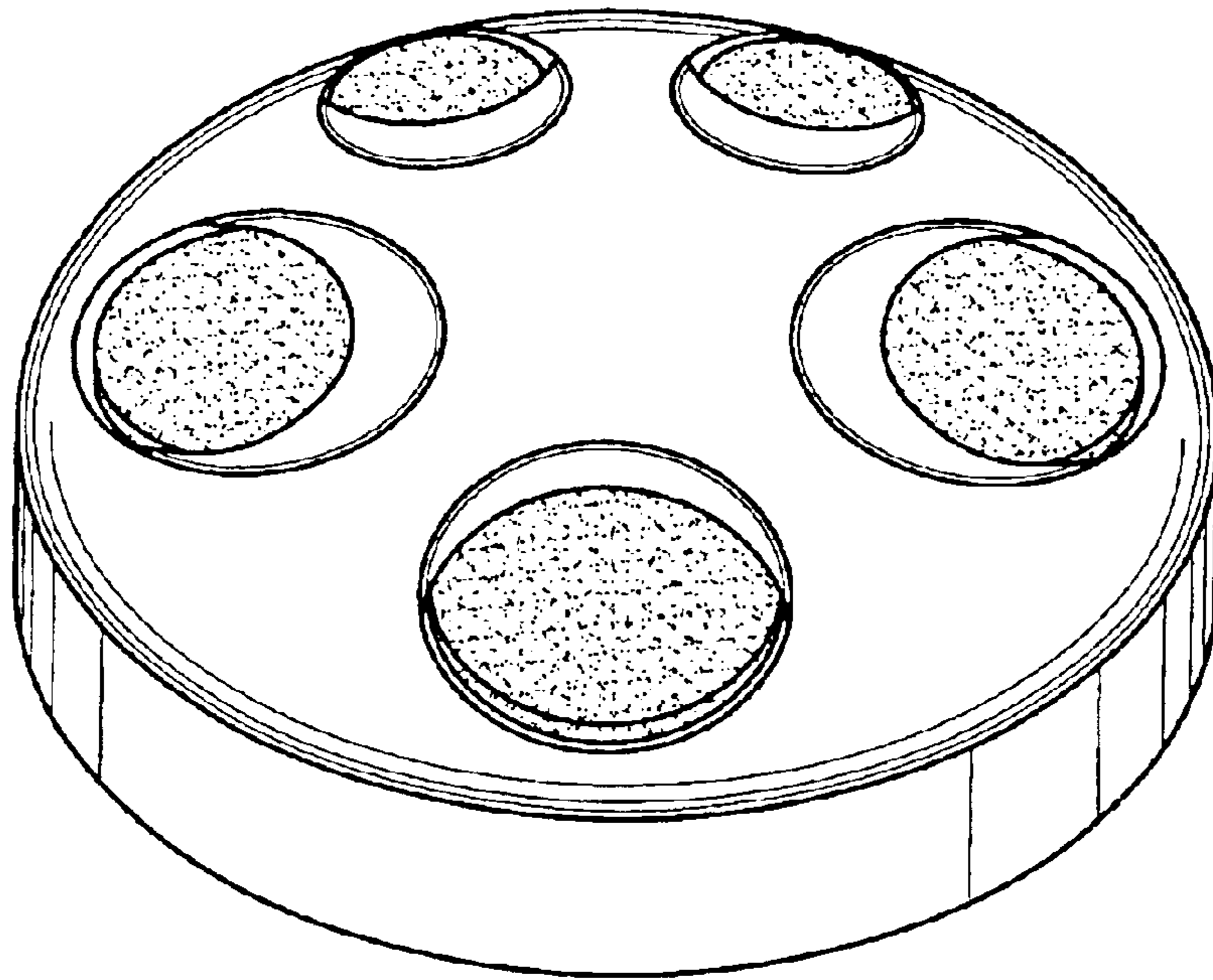


FIG. 1

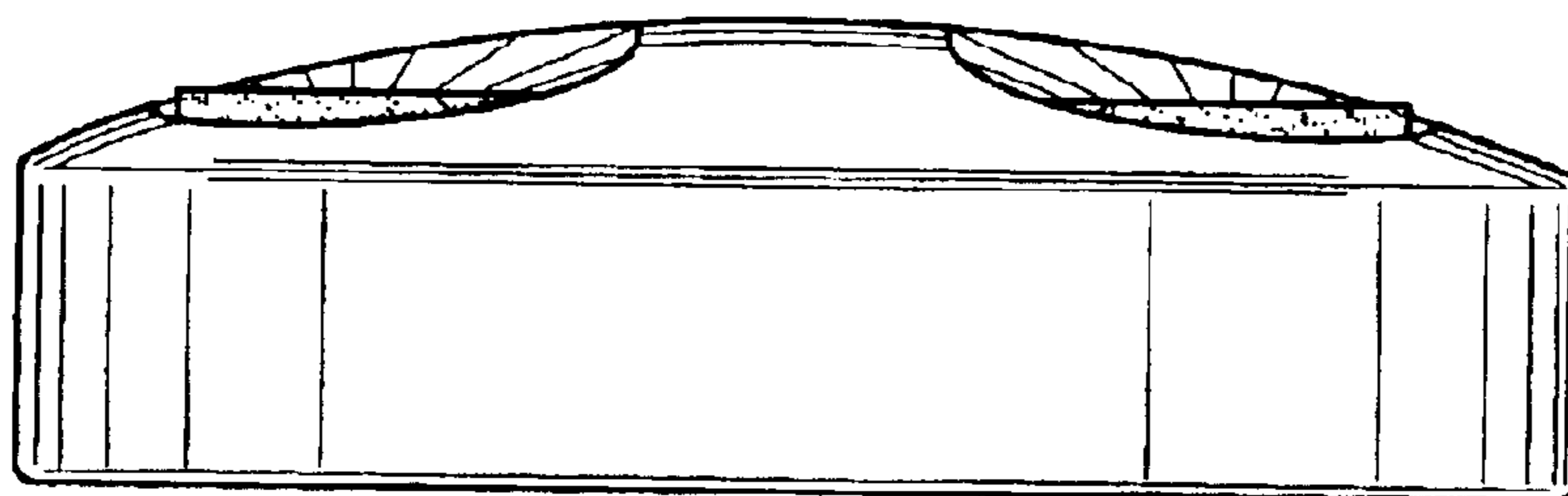


FIG. 2

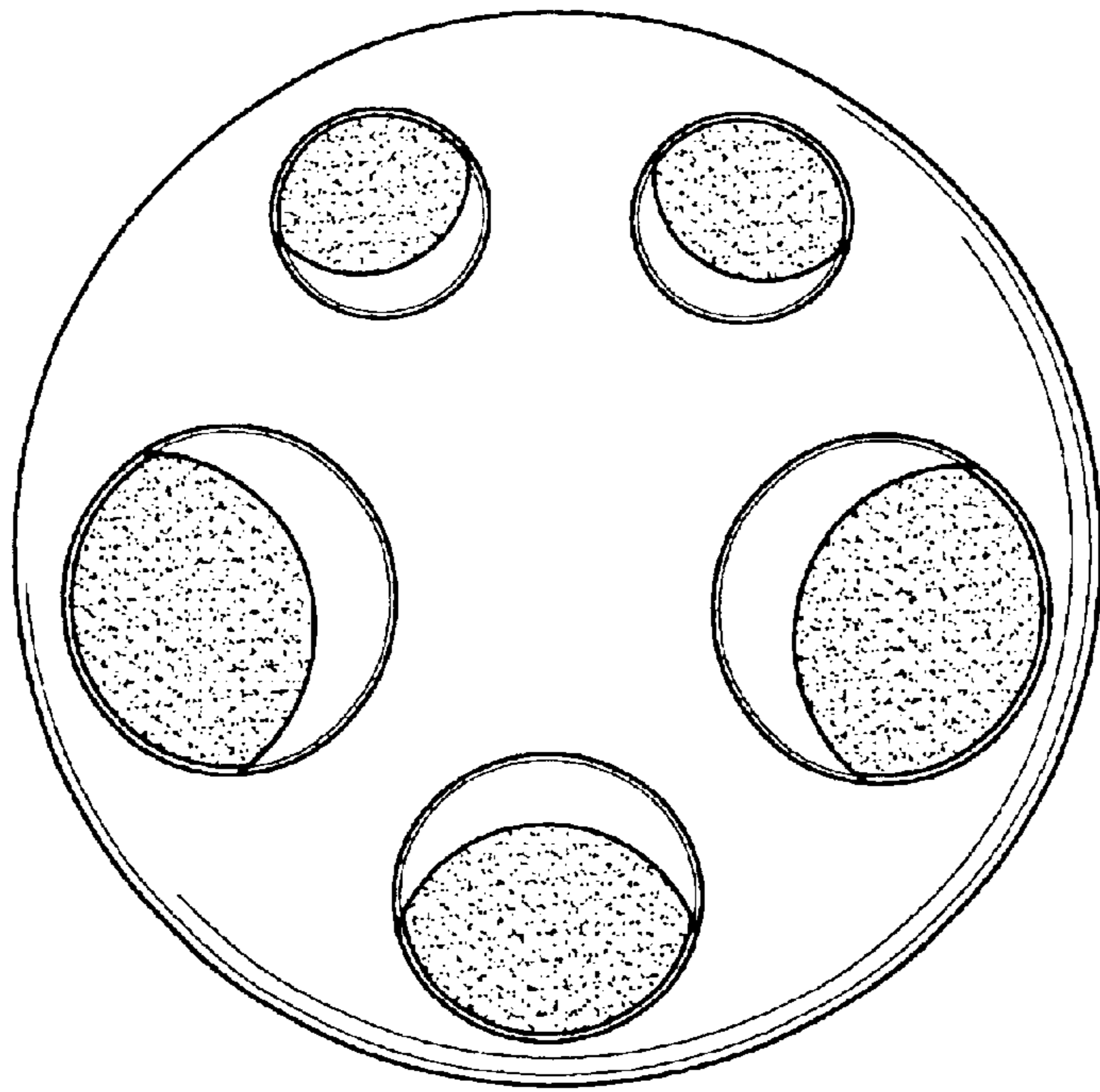


FIG. 3

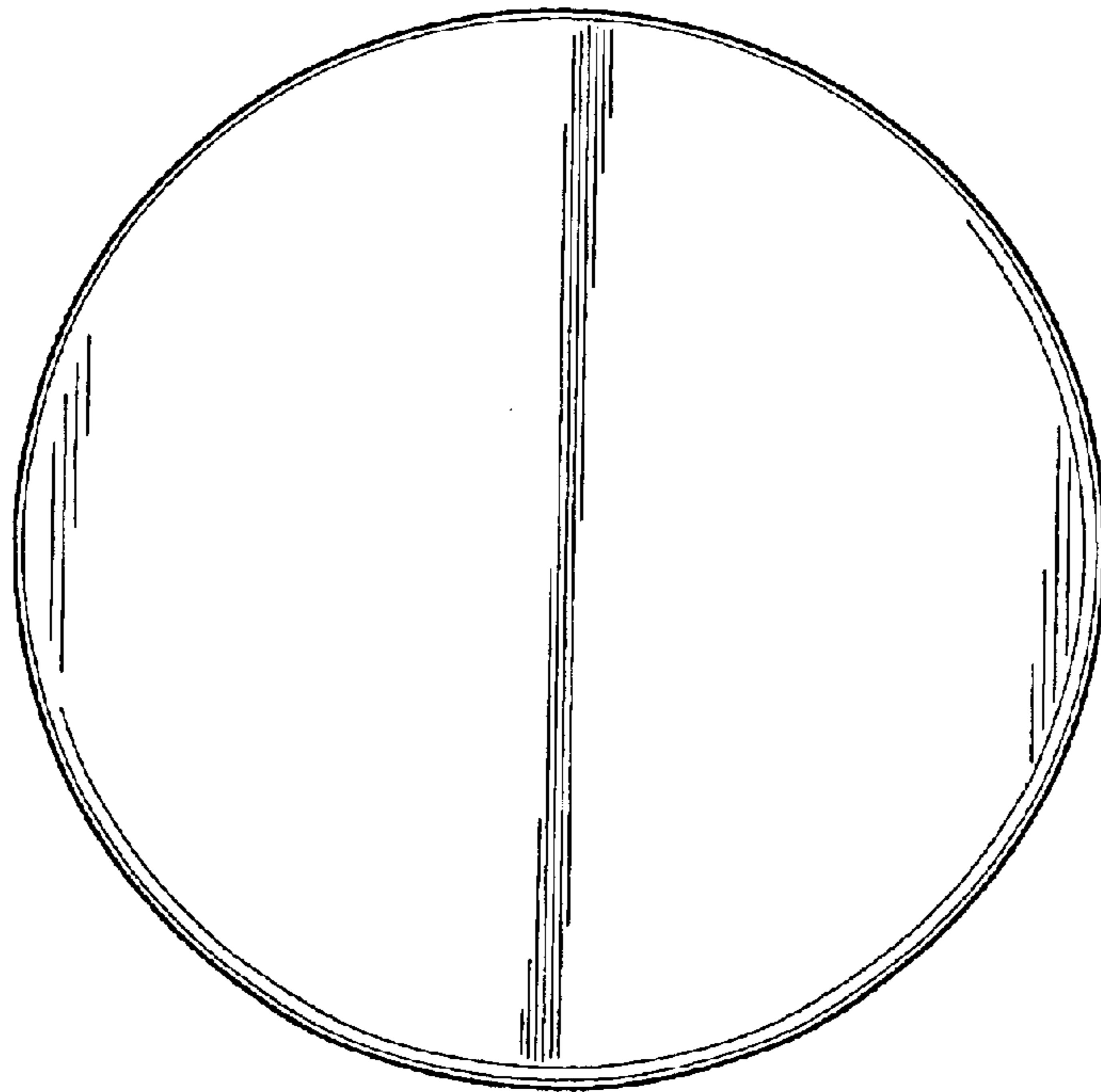


FIG. 4