



US00D493936S1

(12) **United States Design Patent**  
**Perella et al.**

(10) **Patent No.:** **US D493,936 S**

(45) **Date of Patent:** **\*\* Aug. 3, 2004**

(54) **CASHBOX**

D314,666 S \* 2/1991 Lanius ..... D3/281  
D393,526 S \* 4/1998 Robey et al. .... D99/28  
D414,037 S \* 9/1999 Akaike et al. .... D3/276

(75) Inventors: **Daniel Perella**, Hudson, OH (US);  
**Anthony DeCarlo**, Bay Village, OH  
(US); **Vincent Thomson**, Avon Lake,  
OH (US)

\* cited by examiner

*Primary Examiner*—Paula A. Greene

(73) Assignee: **Ideastream Consumer Products LLC**,  
Parma, OH (US)

(74) *Attorney, Agent, or Firm*—Pillsbury Winthrop LLP

(\*\*) Term: **14 Years**

(57) **CLAIM**

The ornamental design for a cashbox, as shown and described.

(21) Appl. No.: **29/180,363**

**DESCRIPTION**

(22) Filed: **Apr. 23, 2003**

(51) **LOC (7) Cl.** ..... **99-00**

(52) **U.S. Cl.** ..... **D99/28**

(58) **Field of Search** ..... D99/28, 34, 35,  
D99/36, 43; D3/268, 276, 272, 281, 905;  
206/278, 305, 349; 190/115; 232/4 R

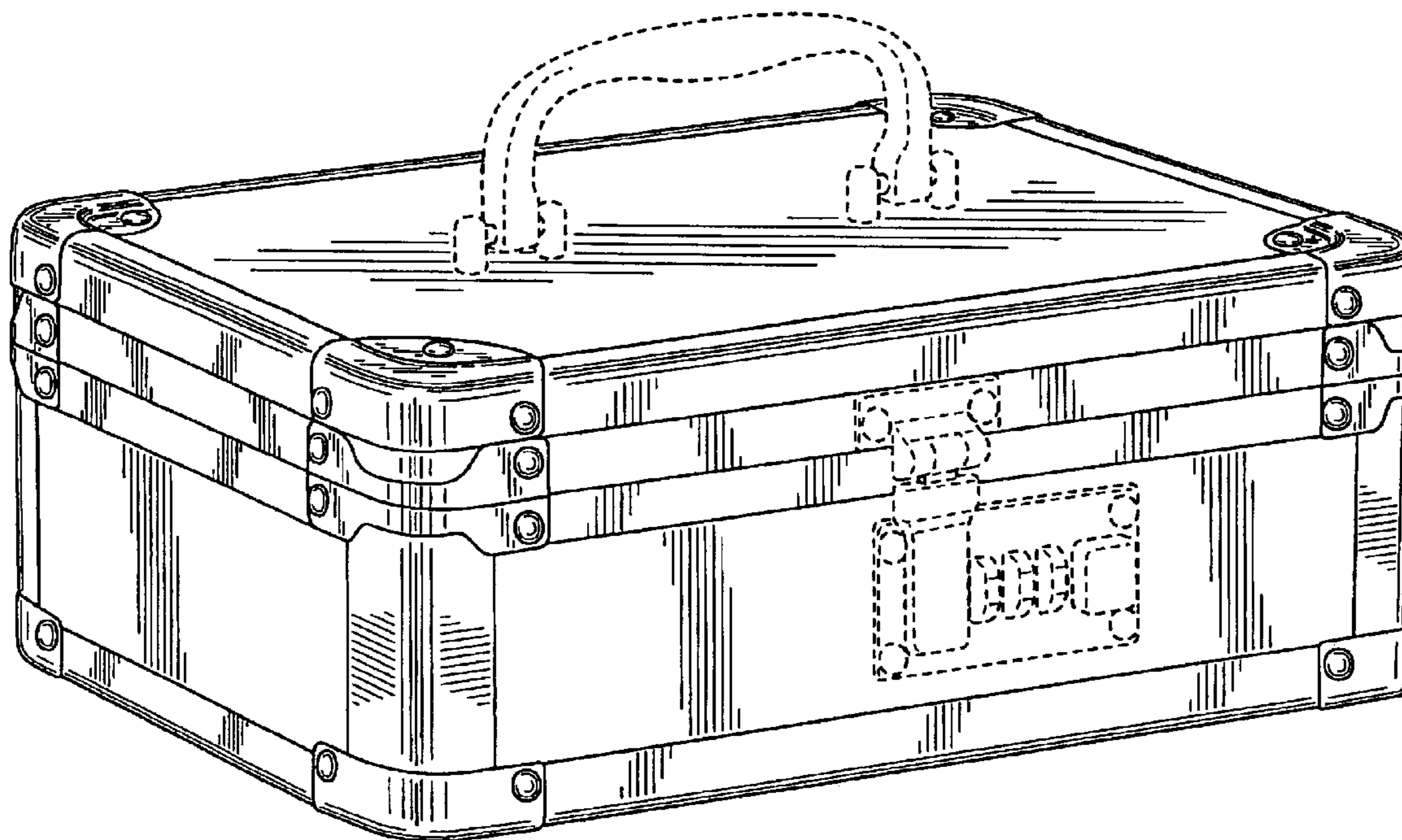
FIG. 1 is a perspective view of a cashbox showing our new design, the broken lines are for illustrative purposes only and forms no part of the claimed design;  
FIG. 2 is a front elevational view thereof;  
FIG. 3 is a rear elevational view thereof;  
FIG. 4 is a left side elevational view thereof;  
FIG. 5 is a right side elevational view thereof; and,  
FIG. 6 is a top plan view thereof.

(56) **References Cited**

**U.S. PATENT DOCUMENTS**

D129,108 S \* 8/1941 Sprague ..... D3/268

**1 Claim, 6 Drawing Sheets**



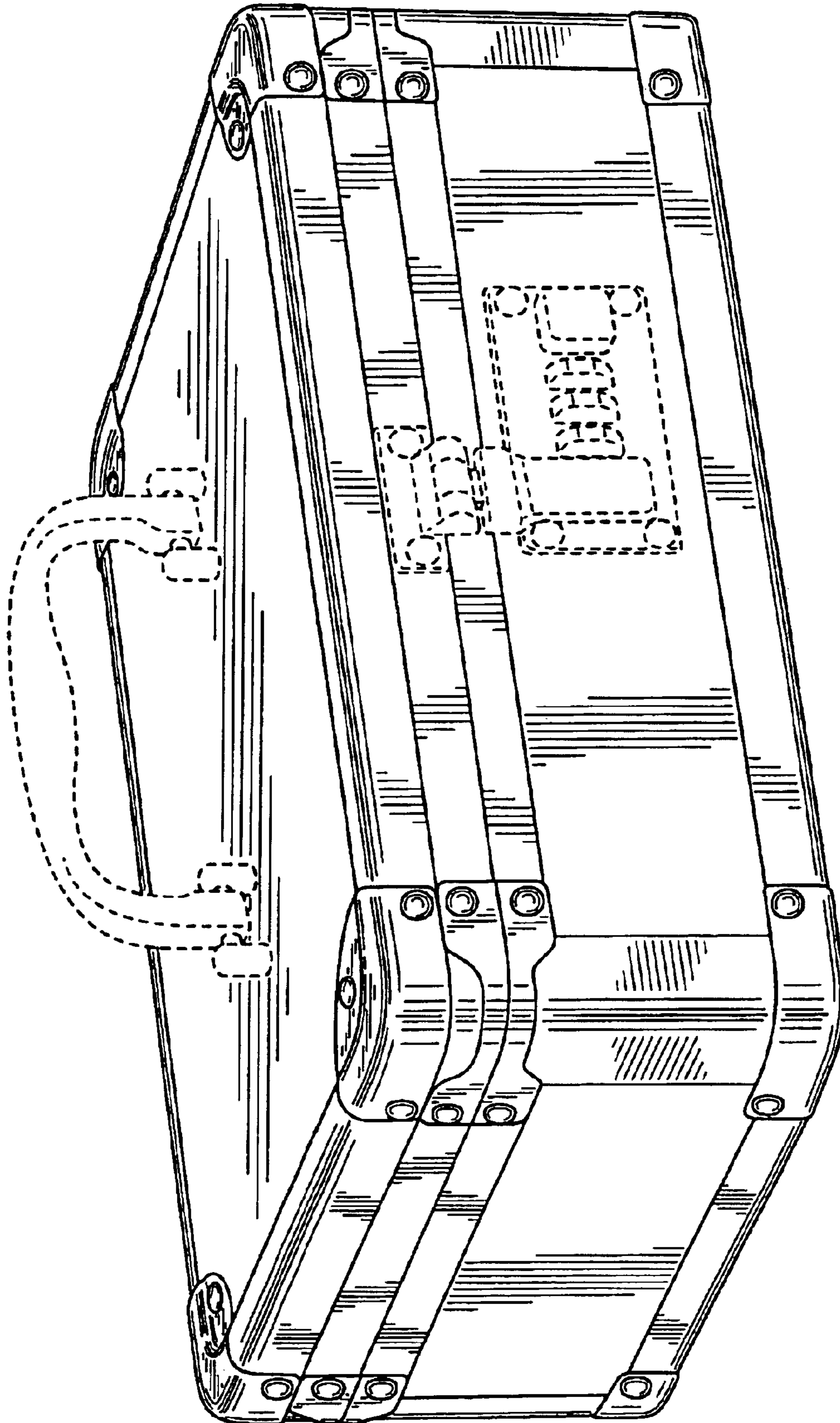


FIG. 1

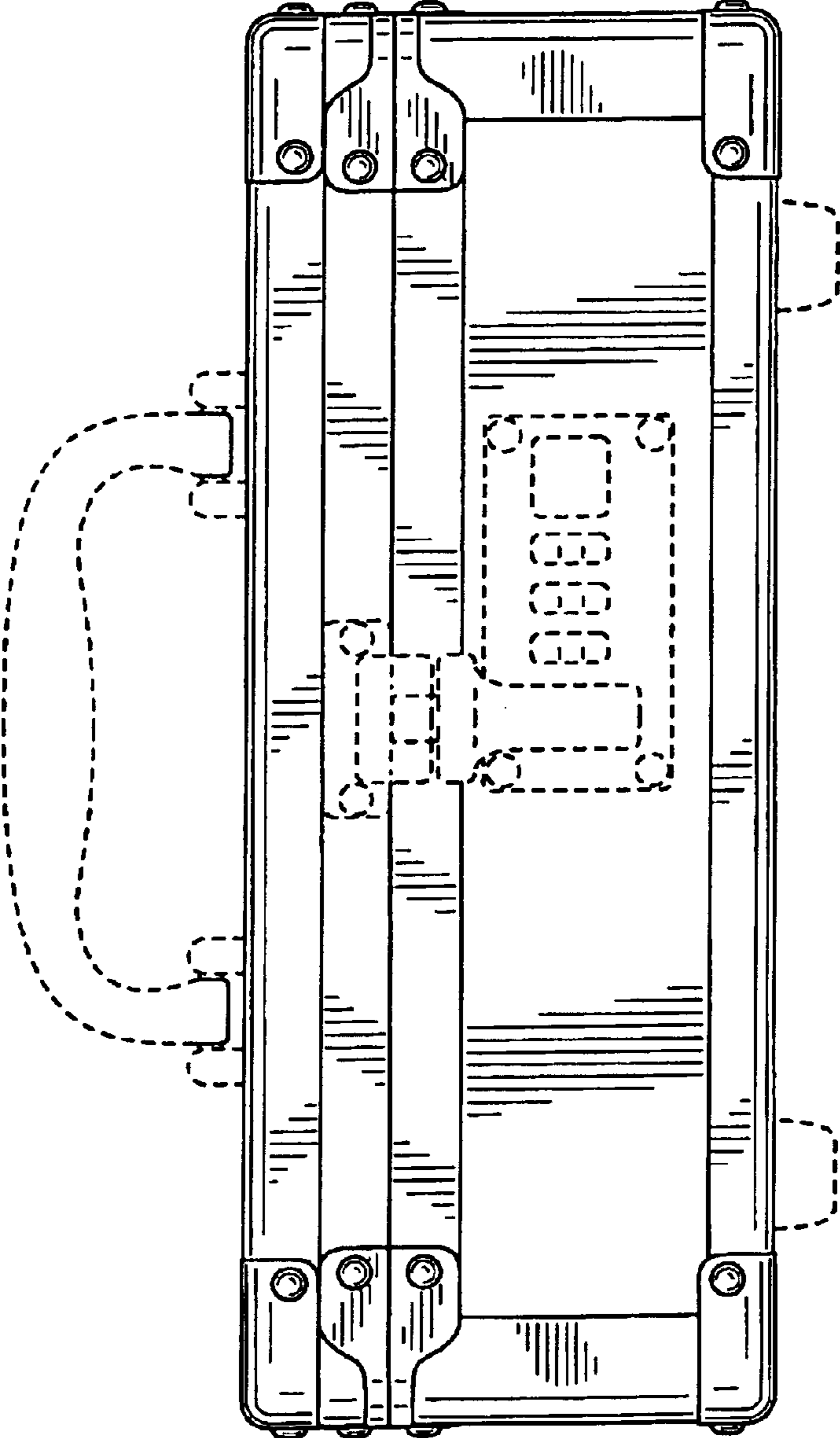


FIG. 2

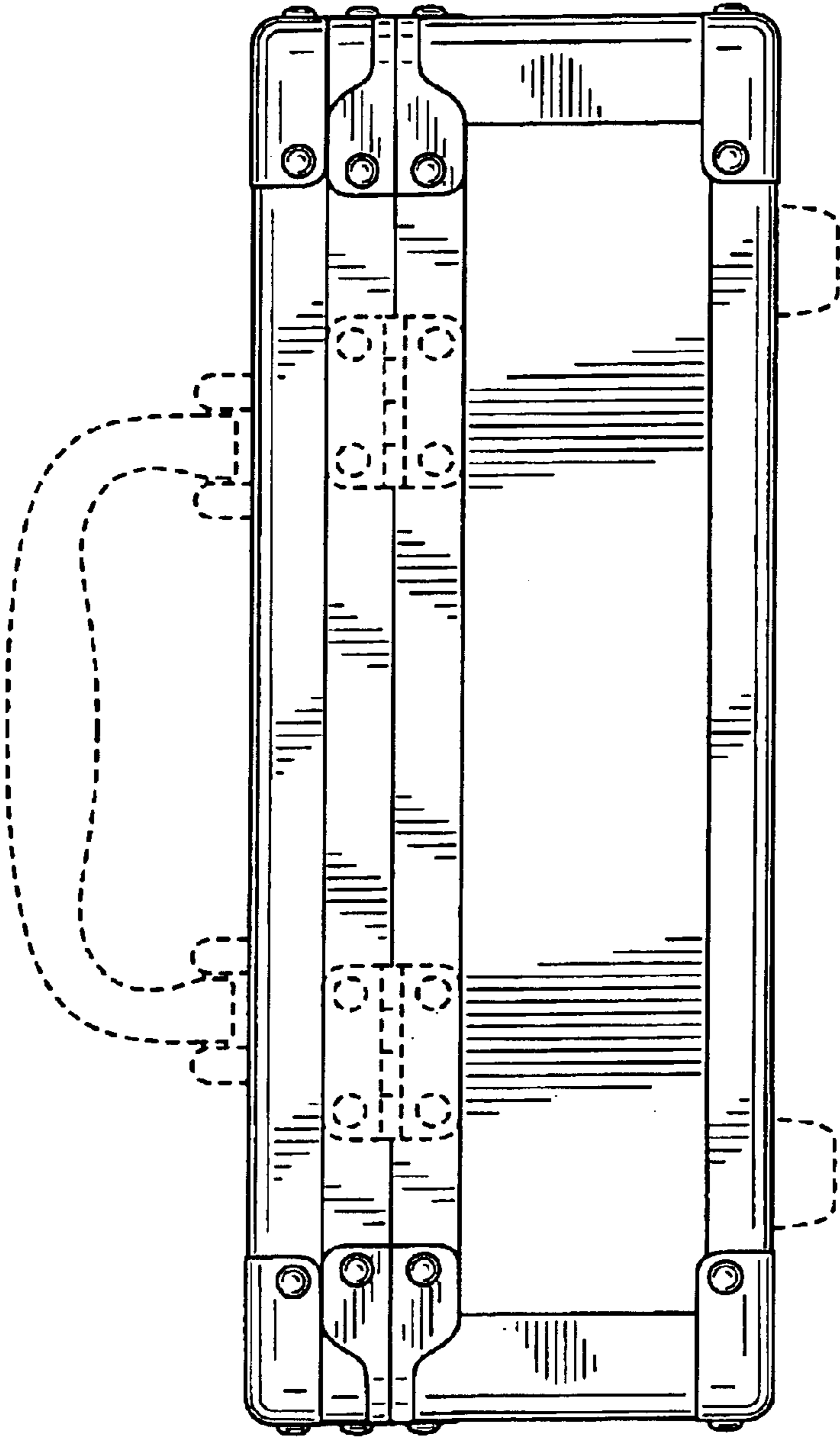


FIG. 3

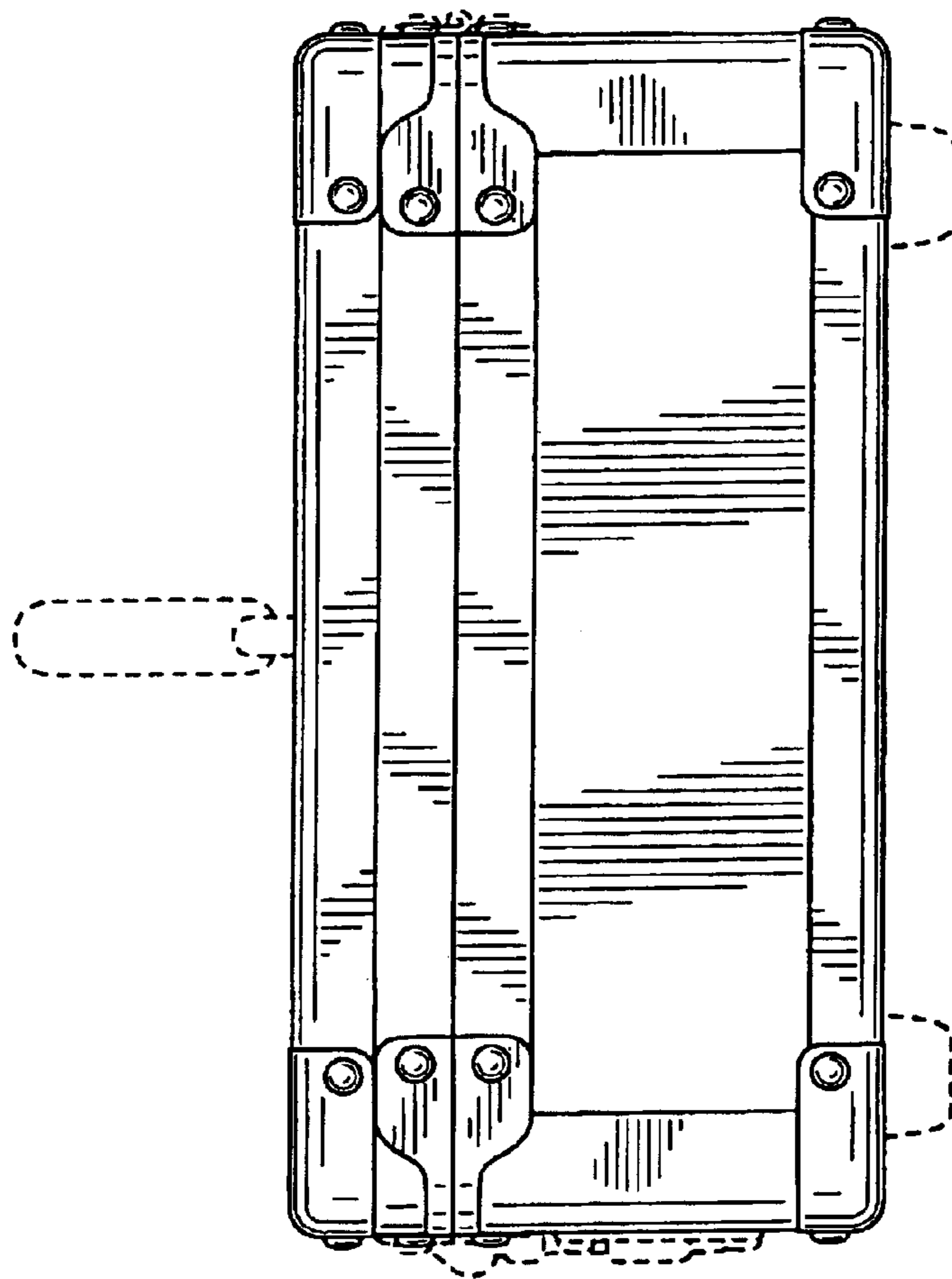


FIG. 4

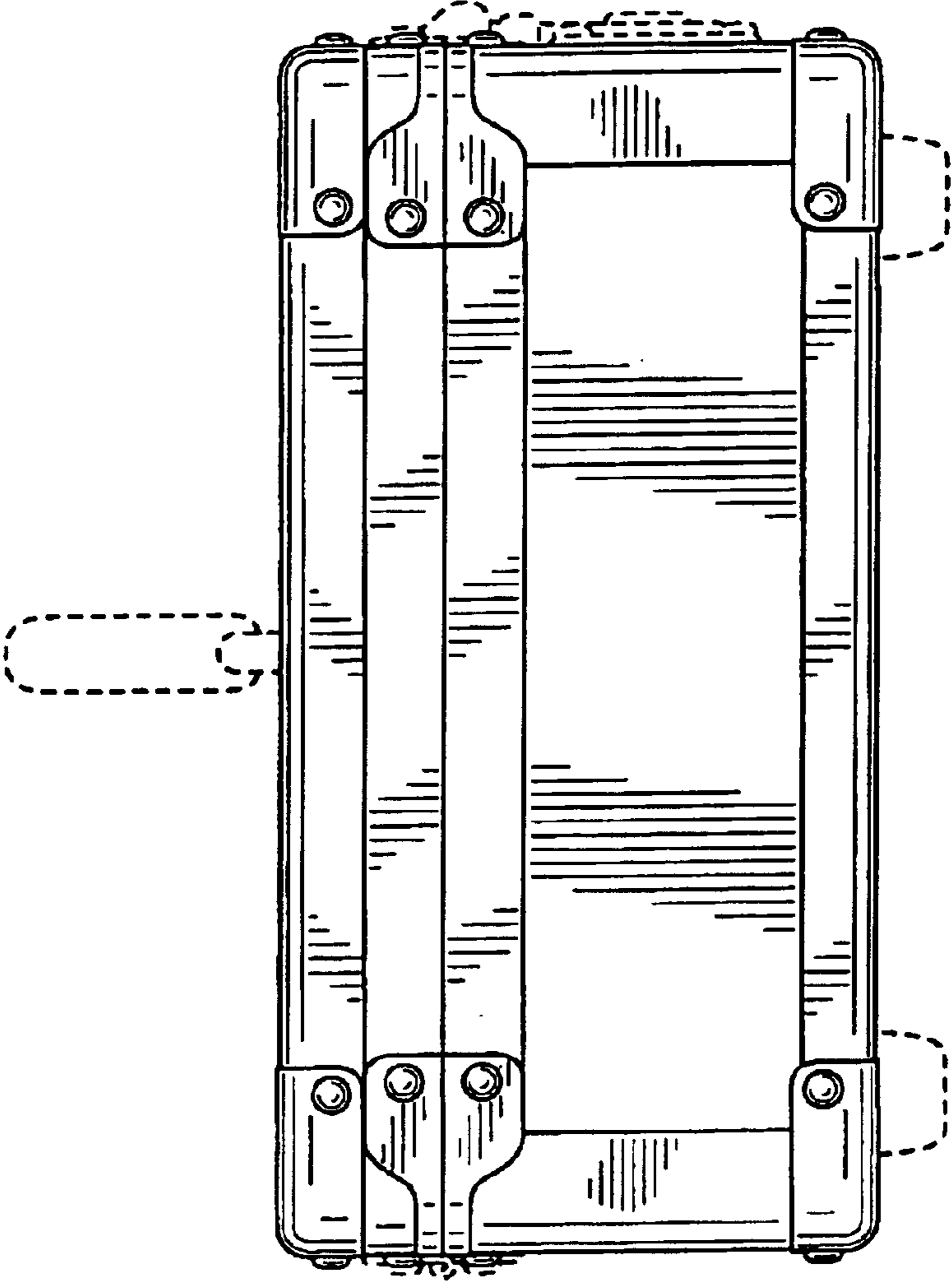


FIG. 5

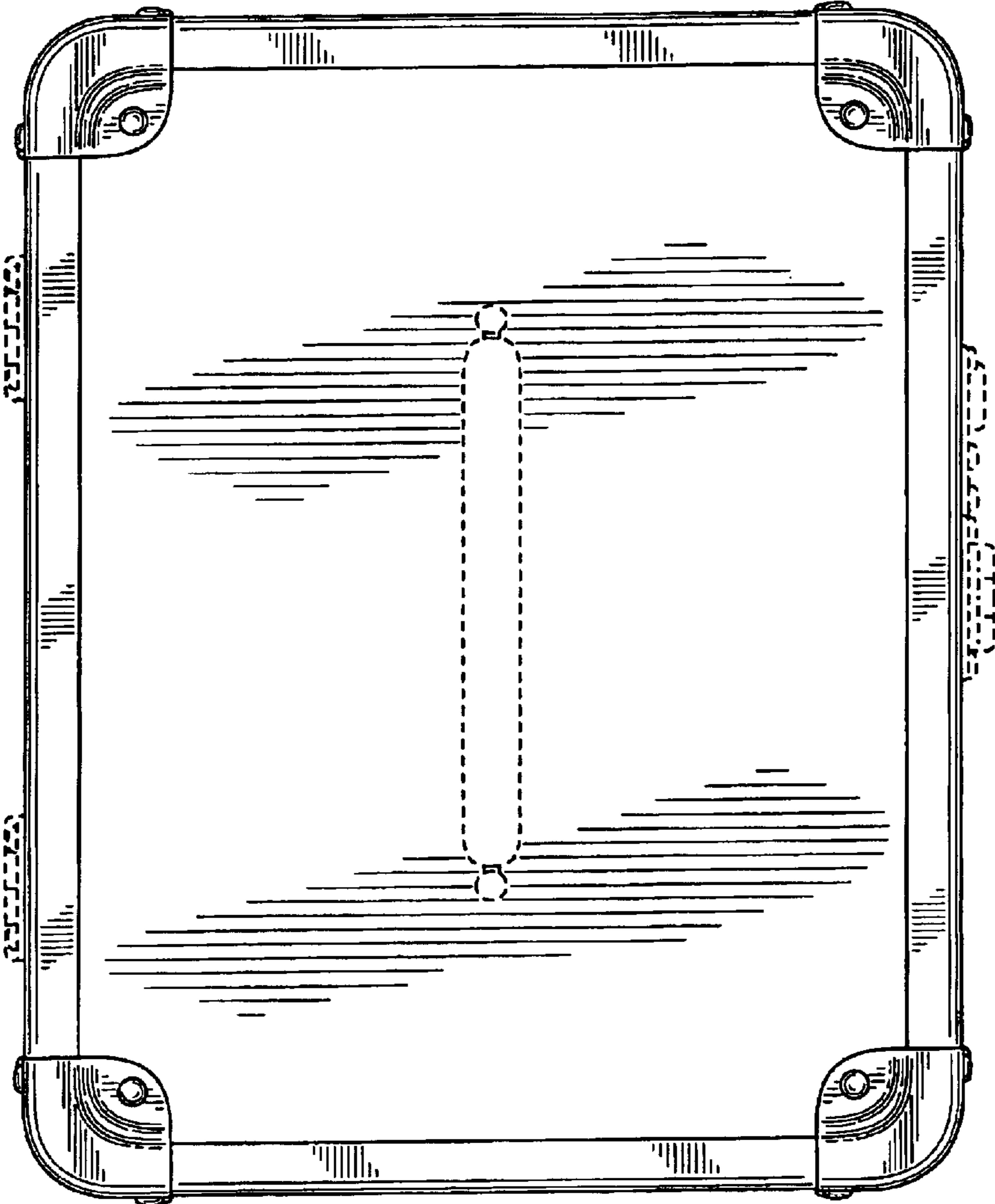


FIG. 6