

US00D493929S1

(12) **United States Design Patent**
Schwarz

(10) **Patent No.:** **US D493,929 S**
(45) **Date of Patent:** **** Aug. 3, 2004**

- (54) **MOLDED PLASTIC CONTAINER**
- (75) **Inventor:** **Stefan H. Schwarz**, Orion Township, MI (US)
- (73) **Assignee:** **Letica Corporation**, Rochester, MI (US)
- (**) **Term:** **14 Years**
- (21) **Appl. No.:** **29/194,533**
- (22) **Filed:** **Nov. 25, 2003**
- (51) **LOC (7) Cl.** **07-07**
- (52) **U.S. Cl.** **D32/53**
- (58) **Field of Search** D32/53, 53.1; D7/601-603, 608, 612; D9/532, 549, 557, 558; 206/505, 506, 515, 519; 220/604, 656-659, 672, 674, 675, 758, 760, 770, 773, 776, 904, DIG. 12, DIG. 14

- 4,293,080 A 10/1981 Letica
- 4,349,119 A 9/1982 Letica
- 4,429,805 A 2/1984 Letica
- 4,711,364 A 12/1987 Letica
- 5,033,635 A 7/1991 Philips
- 5,402,908 A 4/1995 Warden et al.
- 5,875,913 A 3/1999 Letica
- 6,588,618 B1 7/2003 Davis

* cited by examiner

Primary Examiner—Alan P. Douglas
Assistant Examiner—Lavone D. Tabor
(74) *Attorney, Agent, or Firm*—Young & Basile P.C.

(56) **References Cited**

U.S. PATENT DOCUMENTS

- D209,870 S * 1/1968 Yates, Jr. D32/53
- 3,425,471 A * 2/1969 Yates, Jr. 206/519 X
- D216,833 S * 3/1970 Yates, Jr. D32/53
- D220,972 S * 6/1971 Yates, Jr. D32/53
- 3,804,289 A * 4/1974 Churan 220/675 X

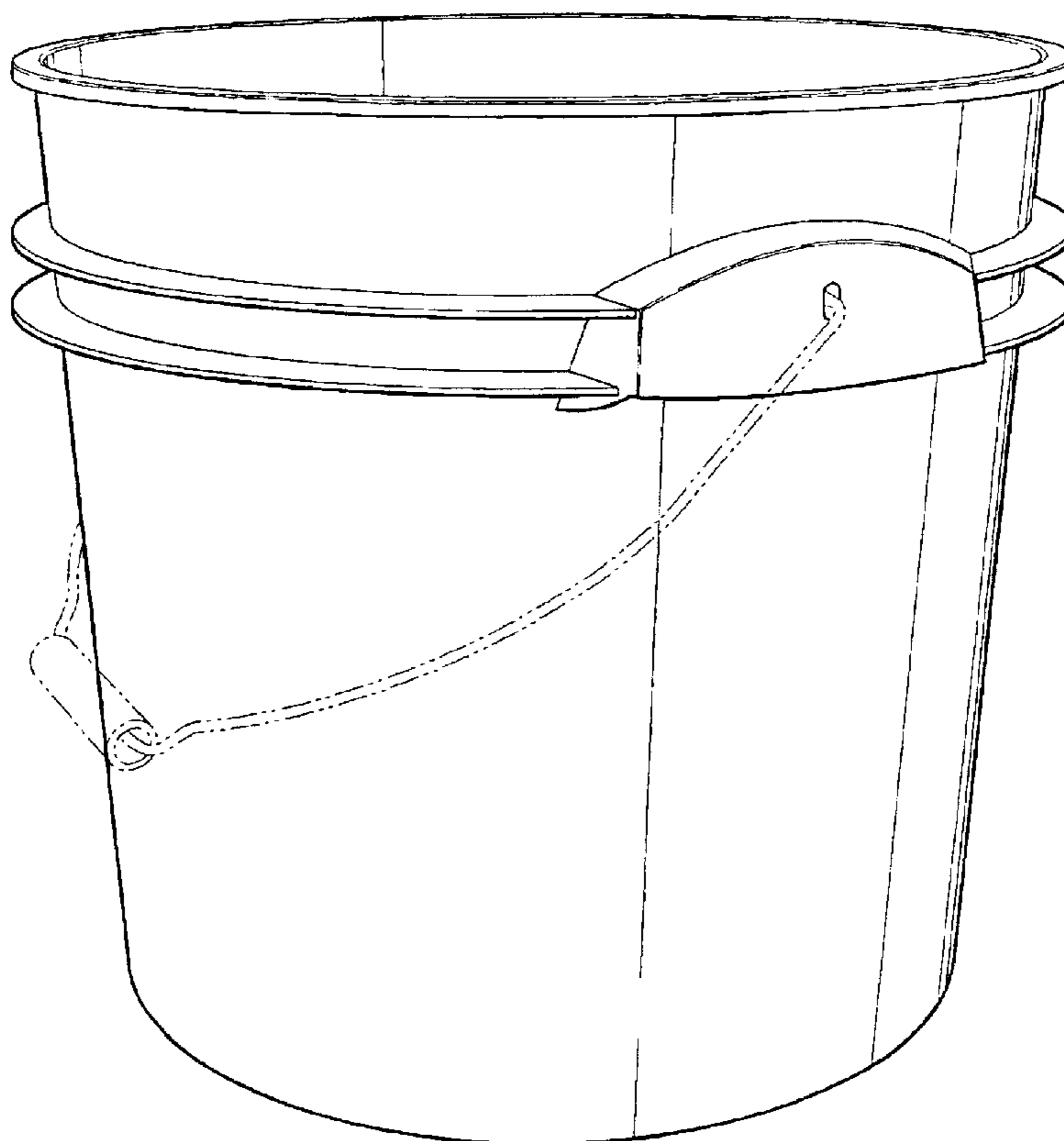
(57) **CLAIM**

The ornamental design for molded plastic container, as shown and described.

DESCRIPTION

FIG. 1 is a perspective view of a molded plastic container constituting my invention;
FIG. 2 is a side view of FIG. 1;
FIG. 3 is another side view of FIG. 1;
FIG. 4 is a bottom view FIG. 1; and,
FIG. 5 is a top view of FIG. 1.
The broken line showing of a handle is for illustrative purposes only and forms no part of the claimed design.

1 Claim, 3 Drawing Sheets



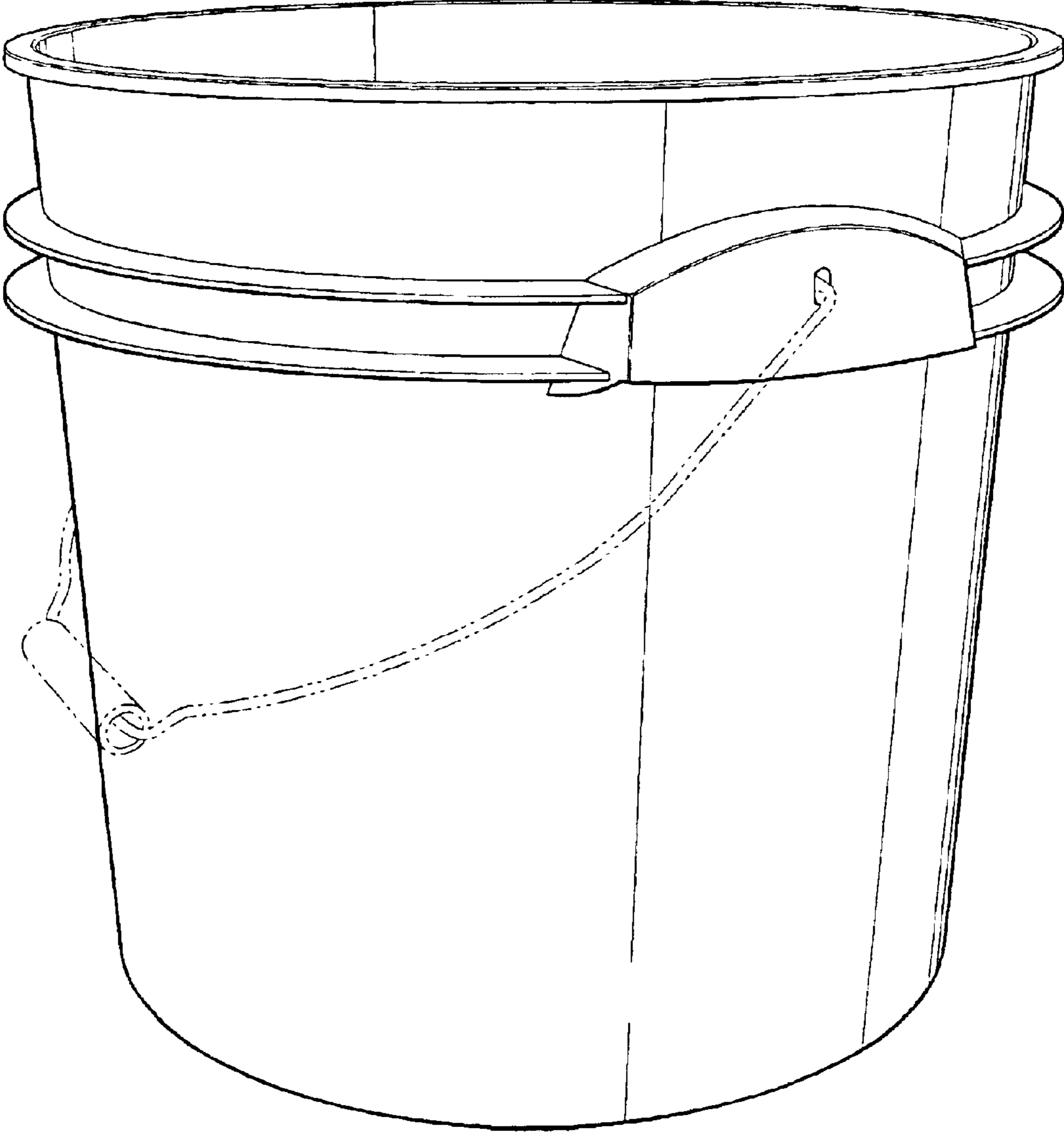


FIG - 1

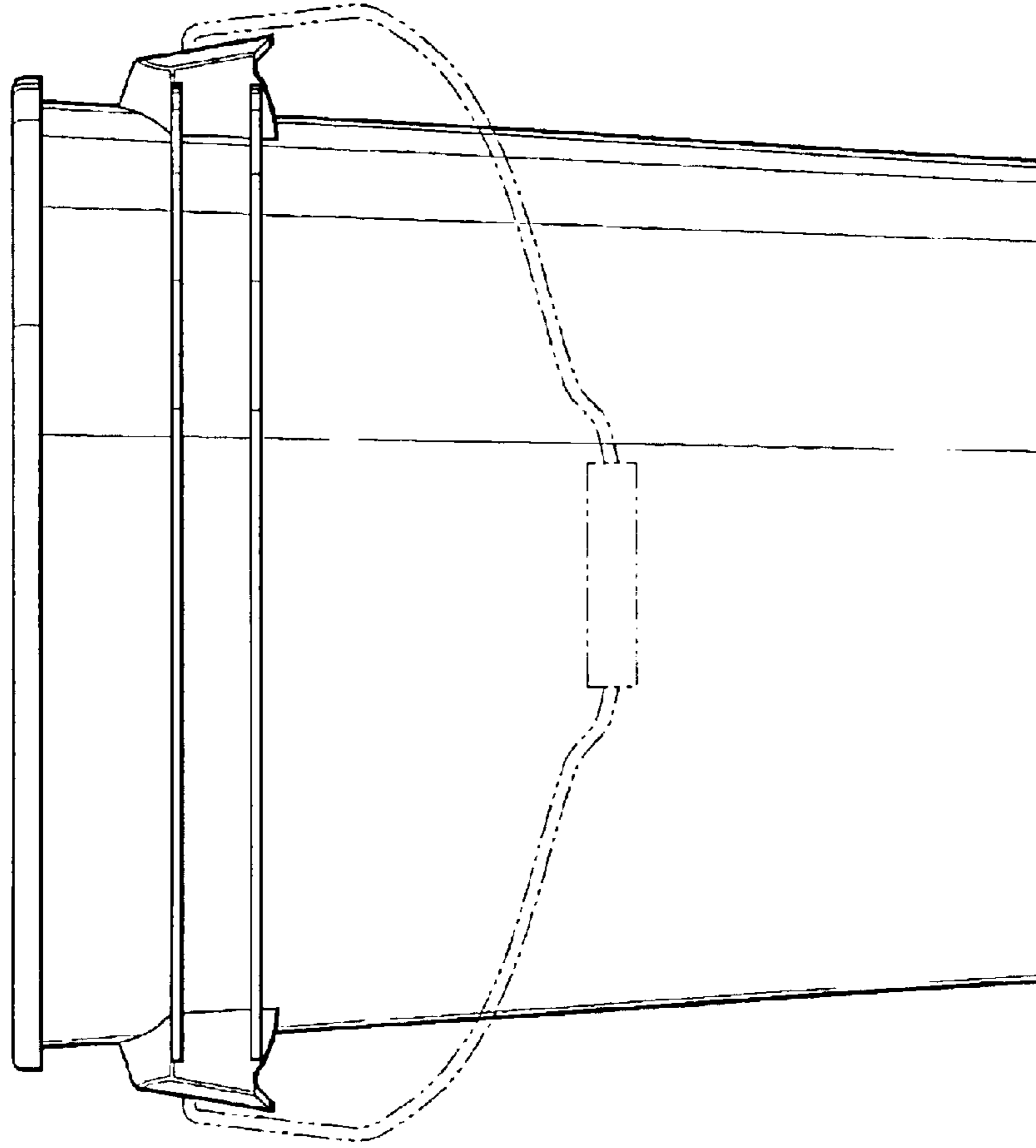


FIG - 3

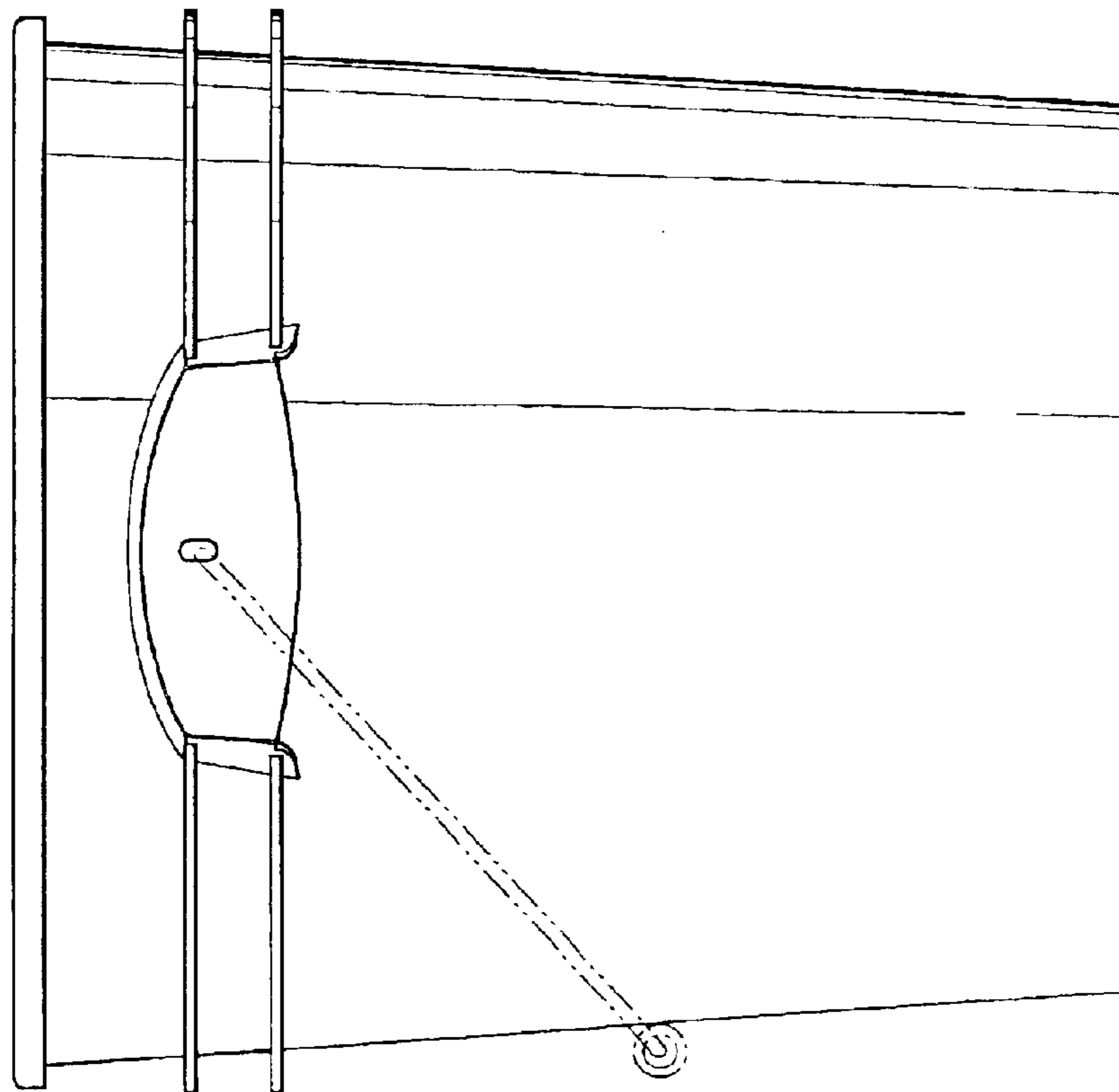


FIG - 2

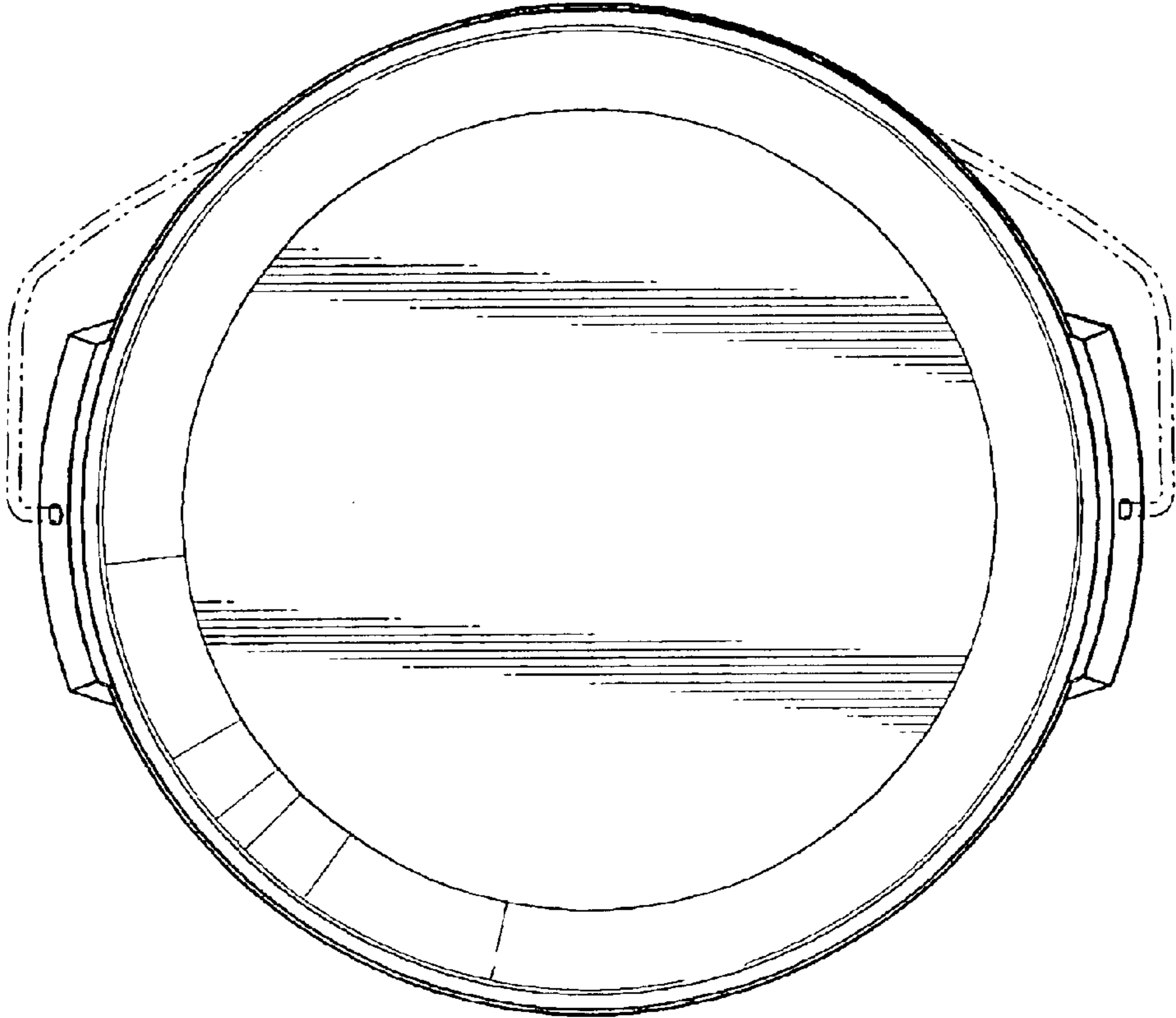


FIG - 5

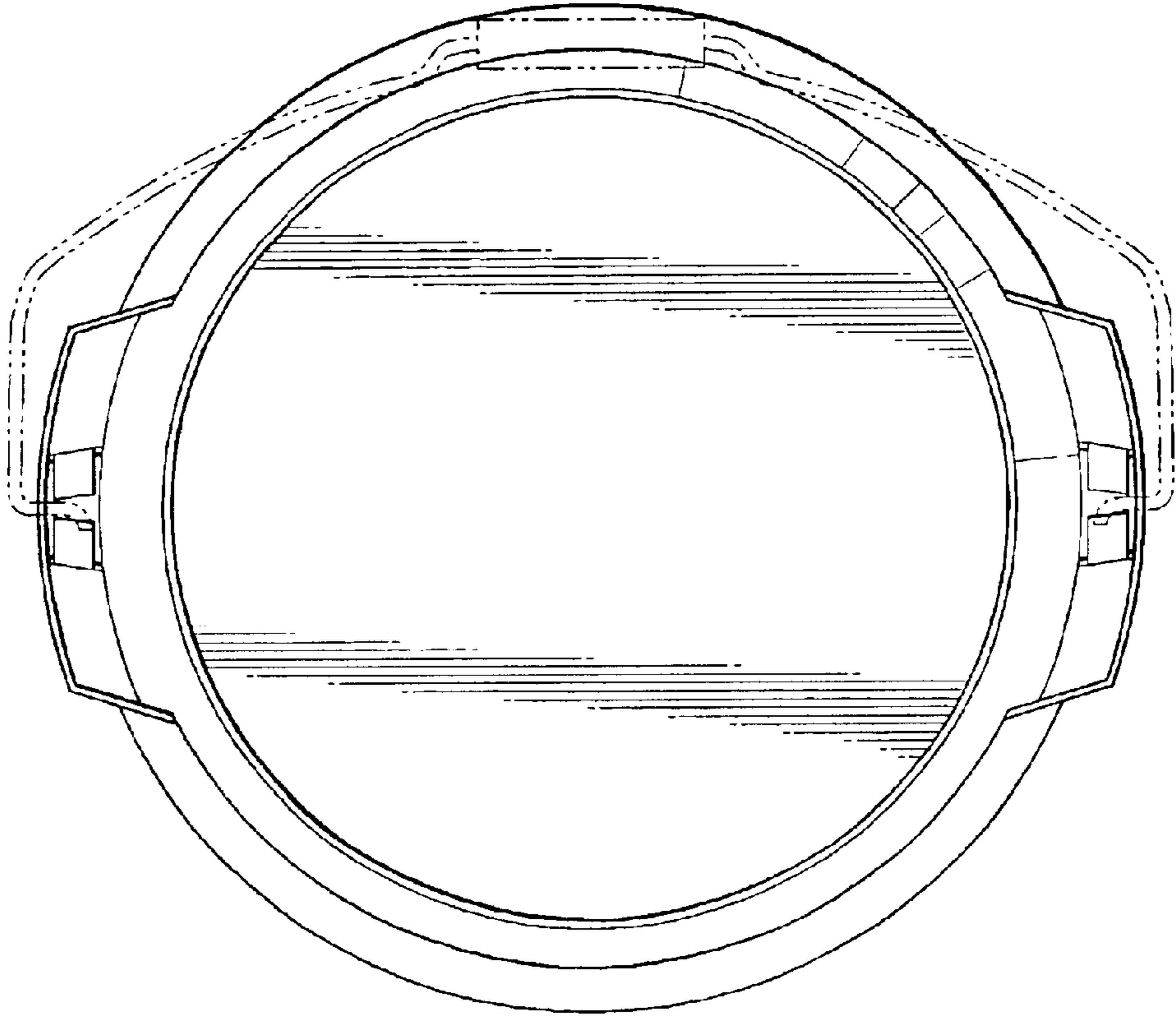


FIG - 4