

US00D493928S1

(12) **United States Design Patent**  
**Chemtob**

(10) **Patent No.:** **US D493,928 S**

(45) **Date of Patent:** **\*\* Aug. 3, 2004**

(54) **MOP**

D294,415 S \* 2/1988 Jones ..... D32/44  
D404,862 S \* 1/1999 Johnson ..... D32/50

(75) **Inventor:** **Andre Chemtob**, Lake Success, NY  
(US)

\* cited by examiner

(73) **Assignee:** **Eagle Home Products, Inc.**,  
Hauppauge, NY (US)

*Primary Examiner*—Alan P. Douglas  
*Assistant Examiner*—Lavone D. Tabor

(\*\*) **Term:** **14 Years**

(74) *Attorney, Agent, or Firm*—Keusey, Tutunjian &  
Bitetto, P.C.

(21) **Appl. No.:** **29/181,568**

(57) **CLAIM**

(22) **Filed:** **May 13, 2003**

The ornamental design for a mop, as shown and described.

(51) **LOC (7) Cl.** ..... **04-01**

(52) **U.S. Cl.** ..... **D32/44**

(58) **Field of Search** ..... D32/40, 44, 50,  
D32/51; 15/116.1, 116.2, 119.1, 119.2,  
147.1, 147.2, 228

**DESCRIPTION**

FIG. 1 is a perspective view of a mop showing my new design;

FIG. 2 is a front view of the mop;

FIG. 3 is a right side view of the mop, the left side view being a mirror image thereof;

FIG. 4 is a back view of the mop;

FIG. 5 is a top view of the mop; and,

FIG. 6 is a bottom view of the mop.

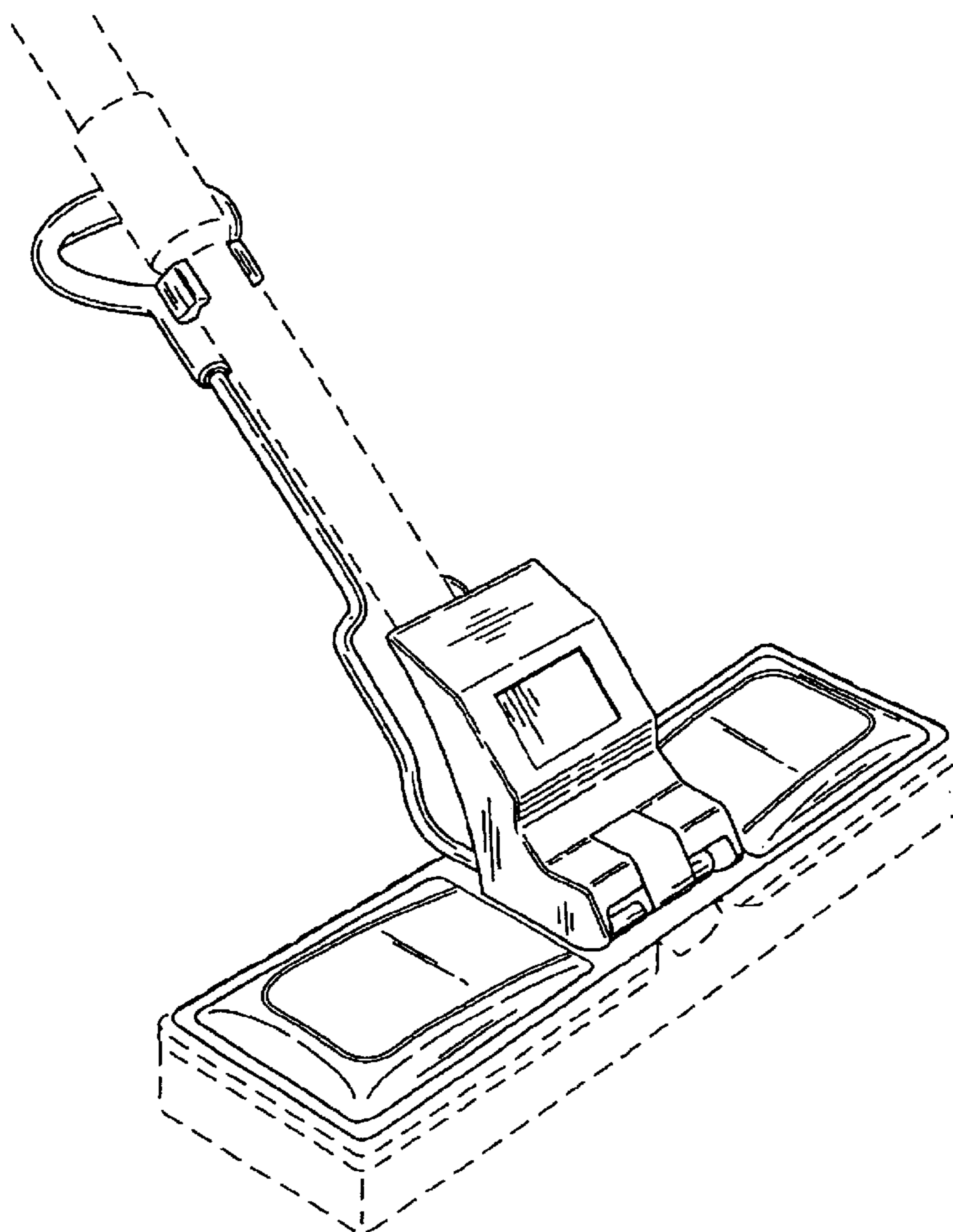
Broken lines shown in the FIGS. are for illustrative purposes and form no part of the claimed design.

(56) **References Cited**

**U.S. PATENT DOCUMENTS**

2,643,407 A \* 6/1953 Vosbikian et al. .... 15/119.2  
2,834,035 A \* 5/1958 Vosbikian et al. .... 15/119.1  
4,044,419 A \* 8/1977 Robinson ..... 15/119.2

**1 Claim, 6 Drawing Sheets**



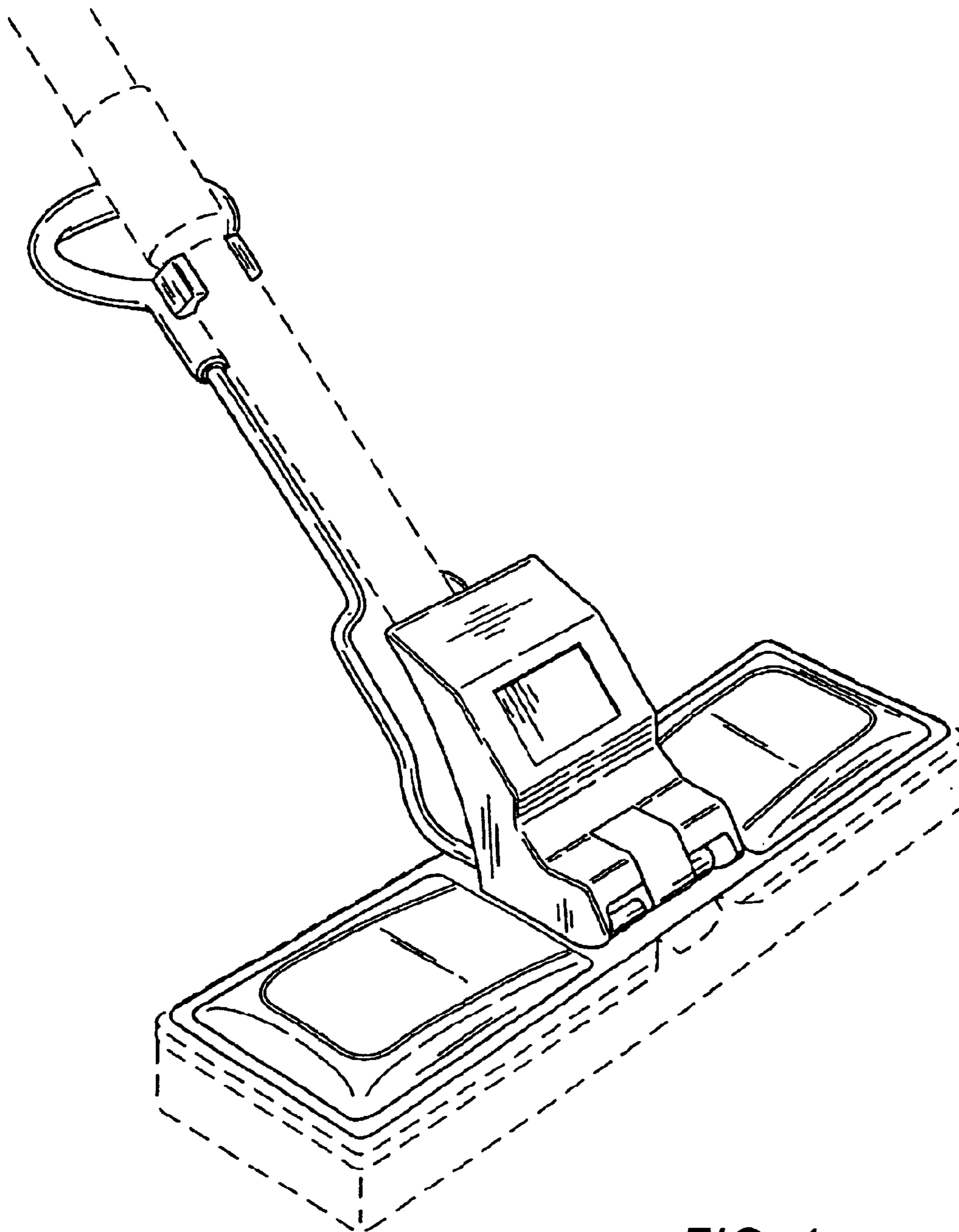


FIG. 1

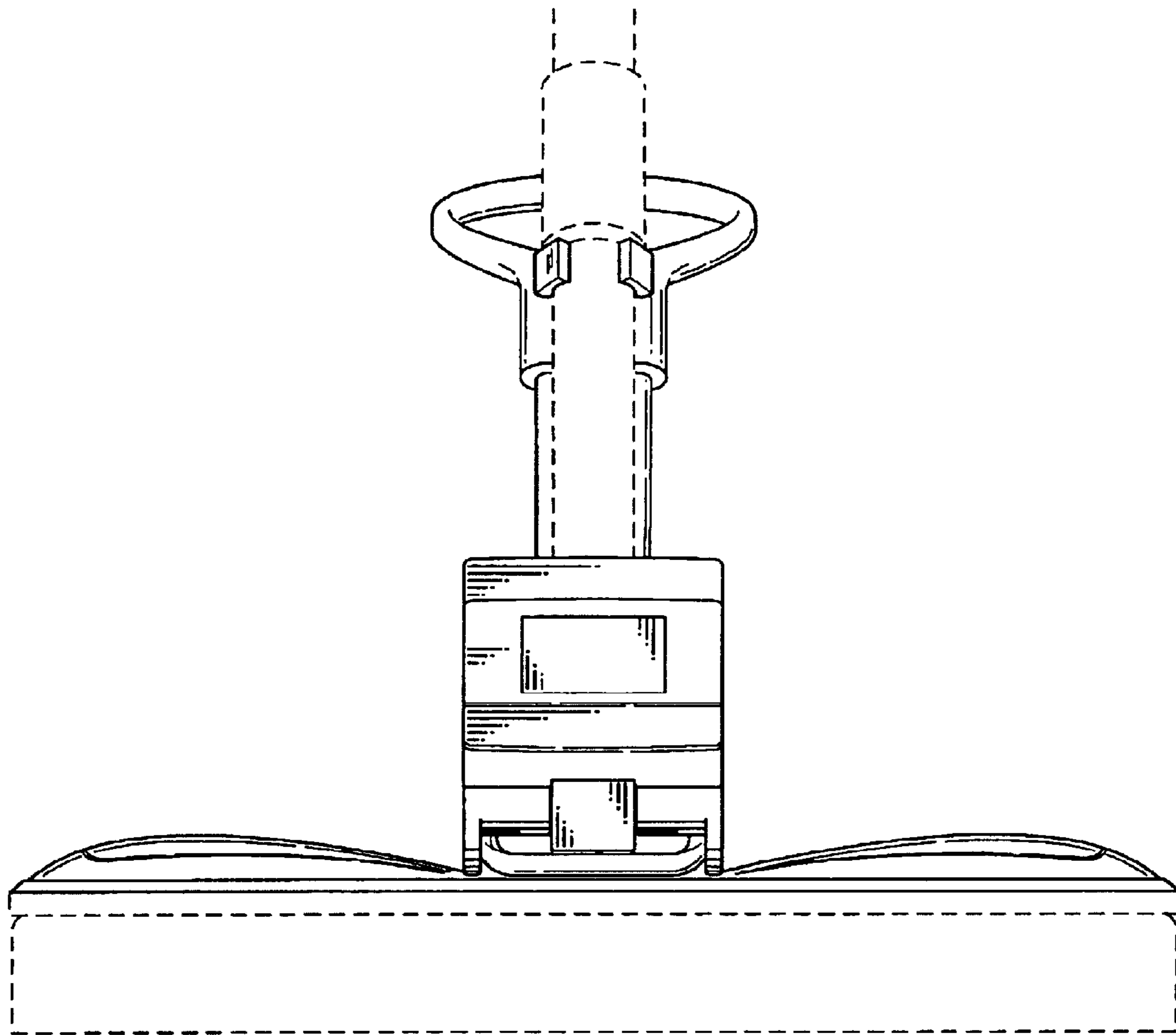


FIG. 2

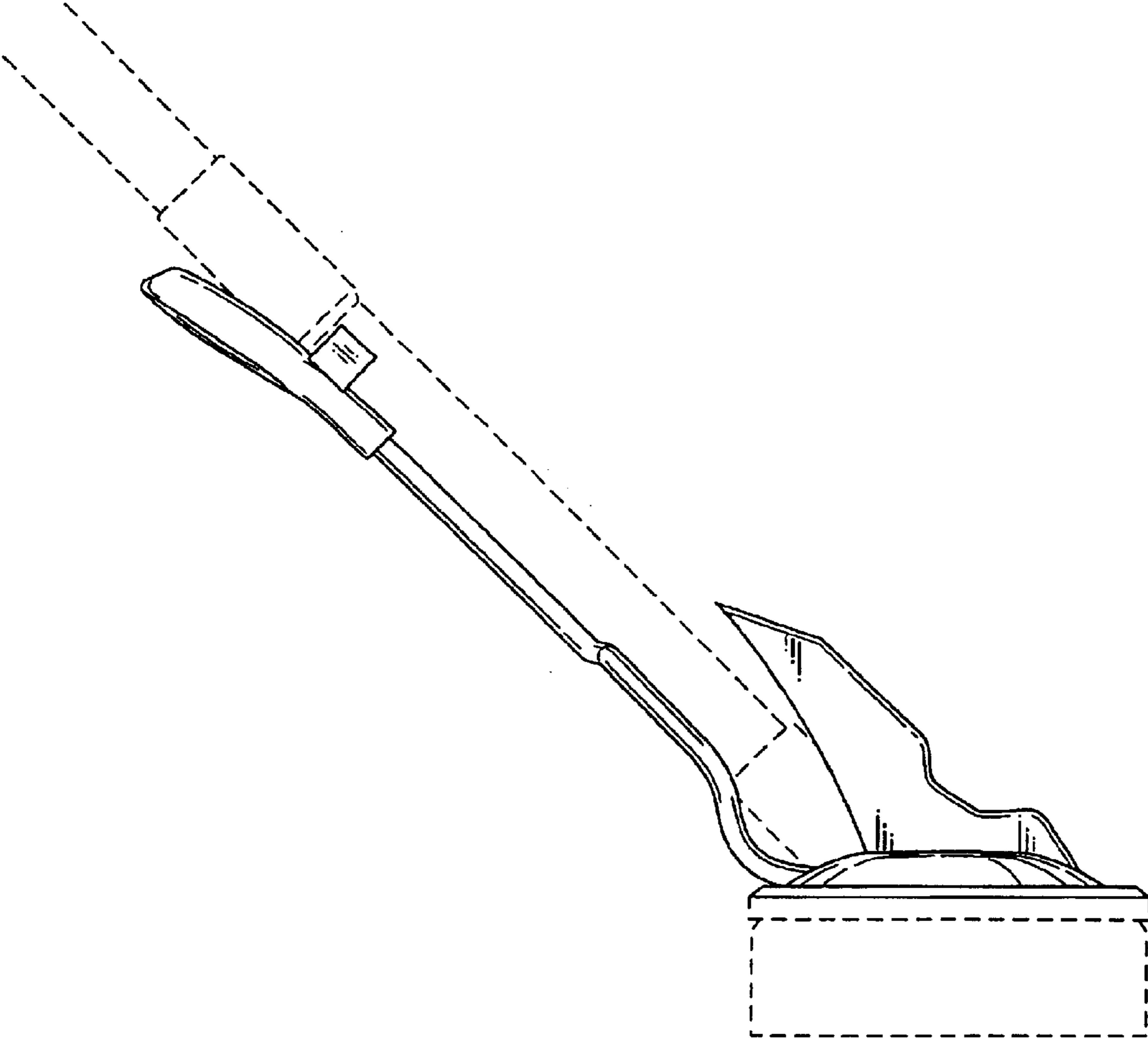


FIG. 3

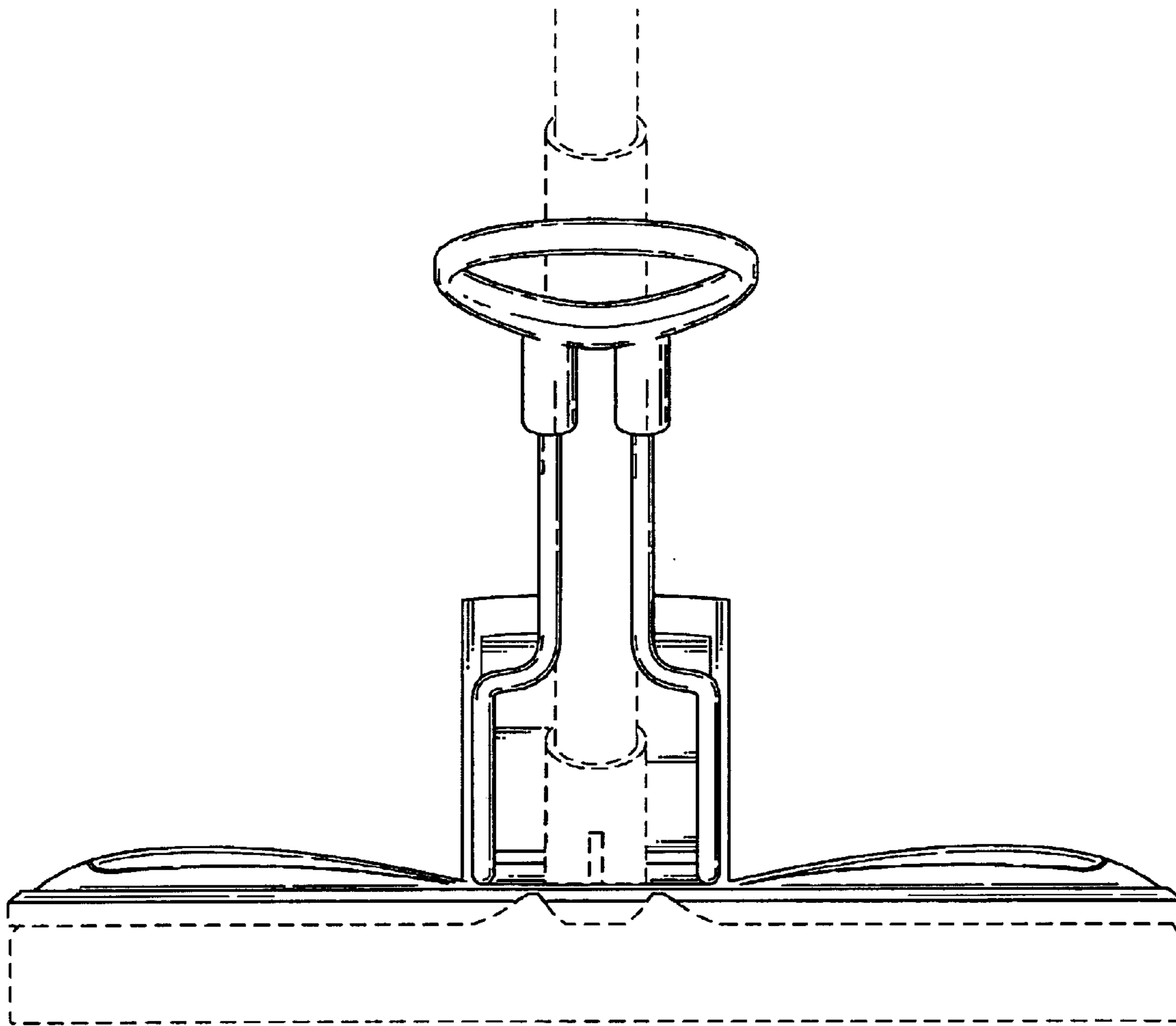


FIG. 4

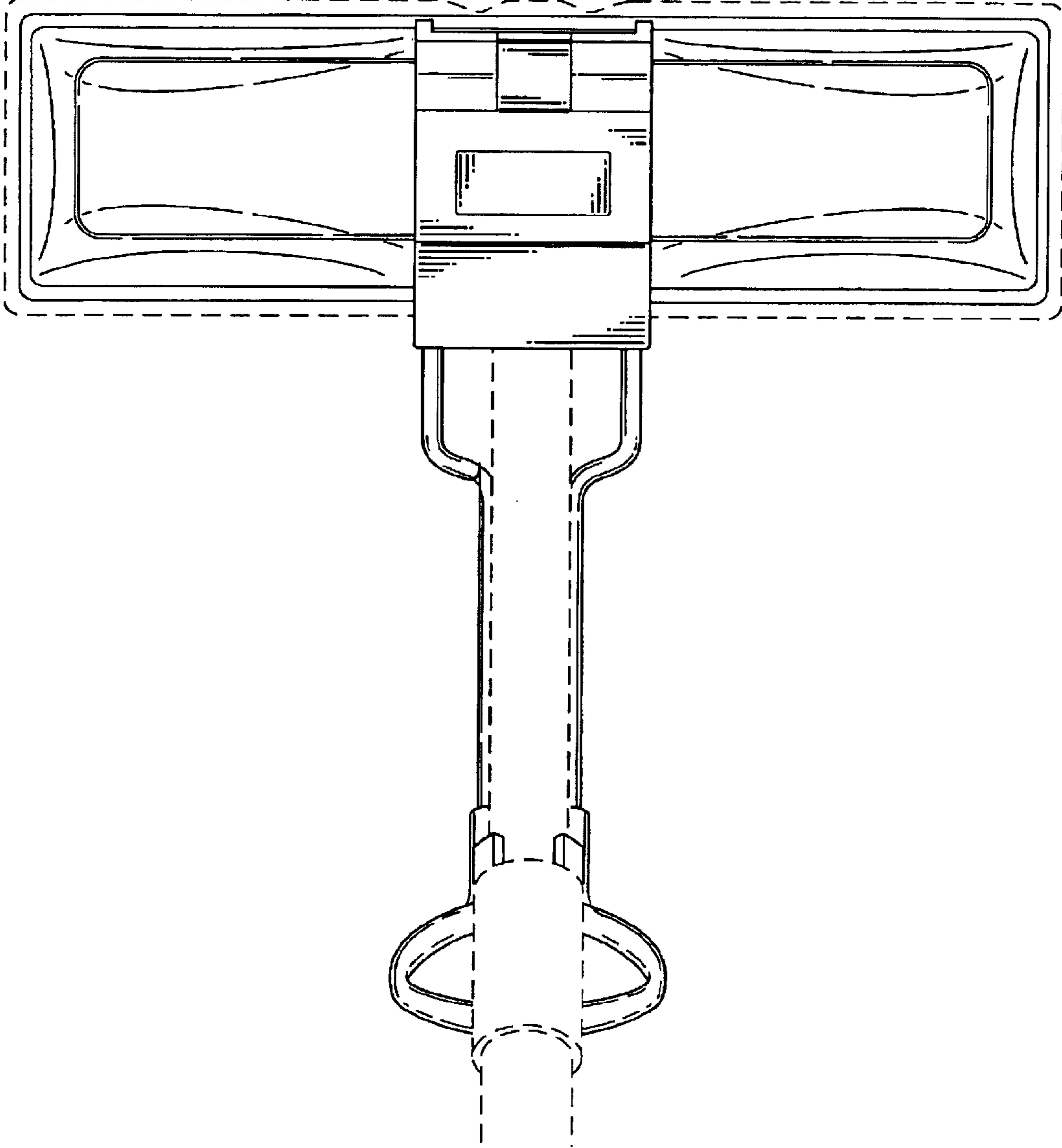


FIG. 5

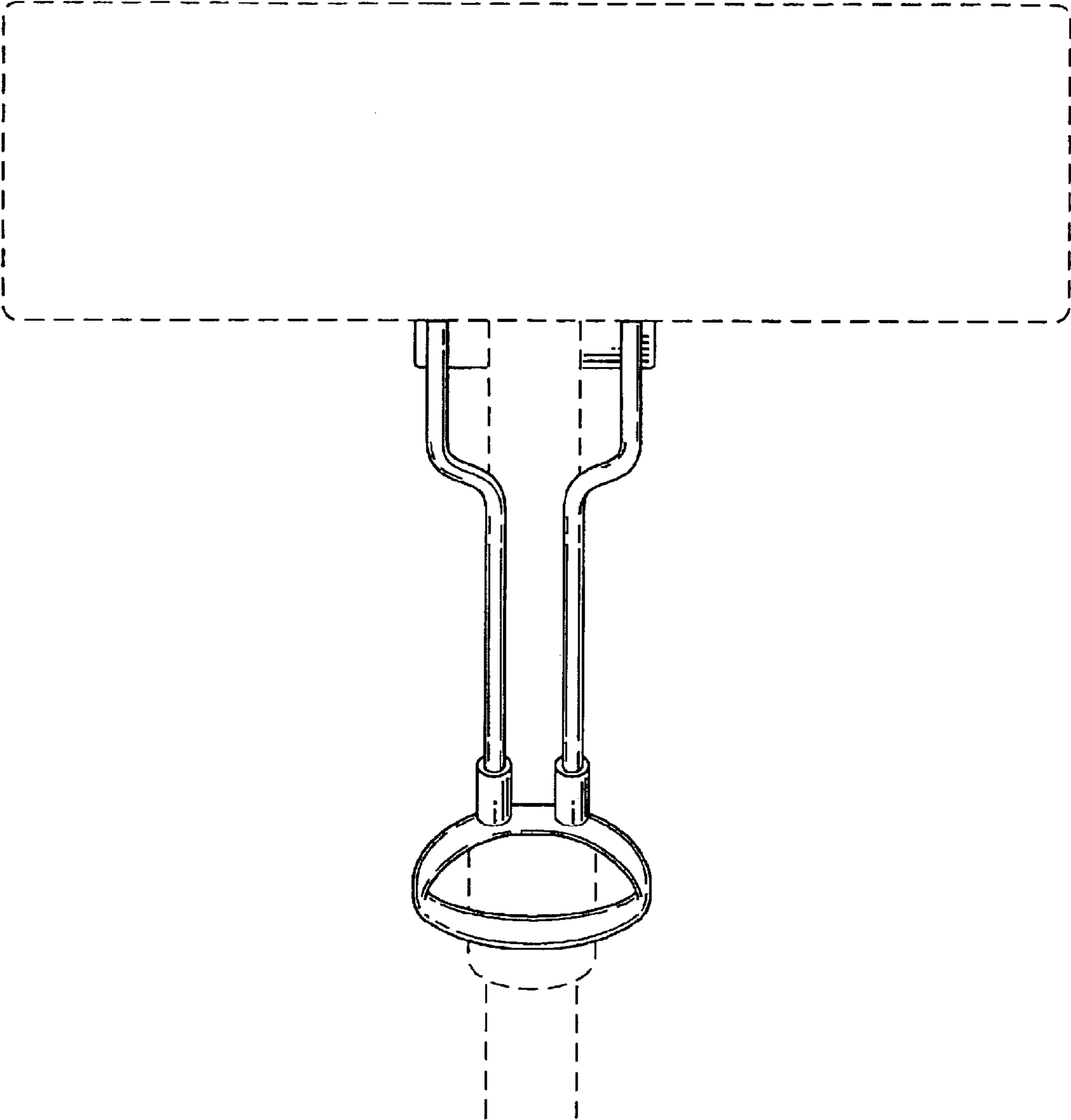


FIG. 6