



US00D493927S1

(12) **United States Design Patent**
Roschi

(10) **Patent No.:** **US D493,927 S**

(45) **Date of Patent:** **** Aug. 3, 2004**

(54) **HANDLE FOR VACUUM CLEANER**

(75) **Inventor:** **Barbara Roschi, Milan (IT)**

(73) **Assignee:** **Davy S.r.l. (IT)**

(**) **Term:** **14 Years**

(21) **Appl. No.:** **29/176,501**

(22) **Filed:** **Feb. 21, 2003**

(30) **Foreign Application Priority Data**

Sep. 3, 2002 (WO) DMA/005 842

(51) **LOC (7) Cl.** **15-05**

(52) **U.S. Cl.** **D32/34**

(58) **Field of Search** D32/17-18, 31-34,
D32/21, 22; 15/347, 344, 329, 353, 410-411,
339, 377, 327.1, 327.2, 327.3, 327.4, 327.6,
327.7; 96/225-226

(56) **References Cited**

U.S. PATENT DOCUMENTS

D212,711 S	*	11/1968	McLane	D32/34
D274,150 S	*	6/1984	Hoesch	D32/18
4,454,627 A	*	6/1984	Simm et al.	15/377
D291,376 S	*	8/1987	Hetherington	D32/18
D304,250 S	*	10/1989	Hassel et al.	D32/18
D315,623 S	*	3/1991	Bartasevich et al.	D32/18
5,054,157 A	*	10/1991	Werner et al.	15/328
D333,023 S	*	2/1993	Herron, Jr.	D32/34
D347,318 S	*	5/1994	Avar	D2/977
D374,318 S	*	10/1996	Meelen	D32/34
5,815,883 A	*	10/1998	Stein et al.	15/327.1
5,884,358 A	*	3/1999	Kim	15/339
D420,477 S	*	2/2000	Saunders et al.	D32/34
D453,246 S	*	1/2002	Nimmo	D32/32
6,345,408 B1	*	2/2002	Nagai et al.	15/361
6,490,752 B2	*	12/2002	Kushida et al.	15/319
6,530,118 B2	*	3/2003	Oh	15/414

* cited by examiner

Primary Examiner—Ruth McInroy

(74) *Attorney, Agent, or Firm*—Shlesinger, Fitzsimmons & Shlesinger

(57) **CLAIM**

The ornamental design for a handle for vacuum cleaner, as shown.

DESCRIPTION

FIG. 1 is a right side elevational view of a handle for vacuum cleaner showing my new design;

FIG. 2 is a left side elevational view thereof;

FIG. 3 is a front elevational view thereof;

FIG. 4 is a rear elevational view thereof;

FIG. 5 is a top plan view thereof;

FIG. 6 is a bottom plan view thereof;

FIG. 7 is a top, front and left side perspective view thereof;

FIG. 8 is a right side elevational view of a second embodiment thereof;

FIG. 9 is a left side elevational view of FIG. 8;

FIG. 10 is a front elevational view of FIG. 8;

FIG. 11 is a rear elevational view of FIG. 8;

FIG. 12 is a top plan view of FIG. 8;

FIG. 13 is a bottom plan view of FIG. 8;

FIG. 14 is a top, front and left side perspective view of FIG. 8;

FIG. 15 is a right side elevational view of a third embodiment thereof;

FIG. 16 is a left side elevational view of FIG. 15;

FIG. 17 is a front elevational view of FIG. 15;

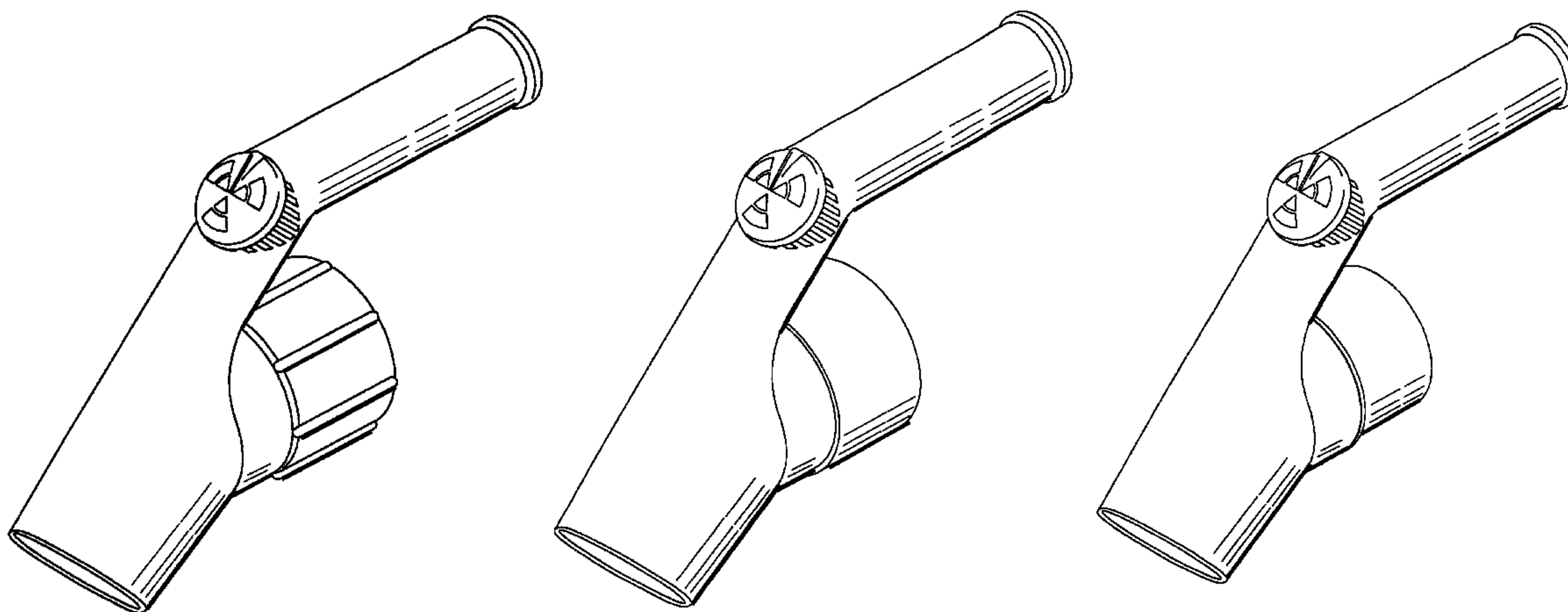
FIG. 18 is a rear elevational view of FIG. 15;

FIG. 19 is a top plan view of FIG. 15;

FIG. 20 is a bottom plan view of FIG. 15; and,

FIG. 21 is a top, front and left side perspective view of FIG. 15.

1 Claim, 9 Drawing Sheets



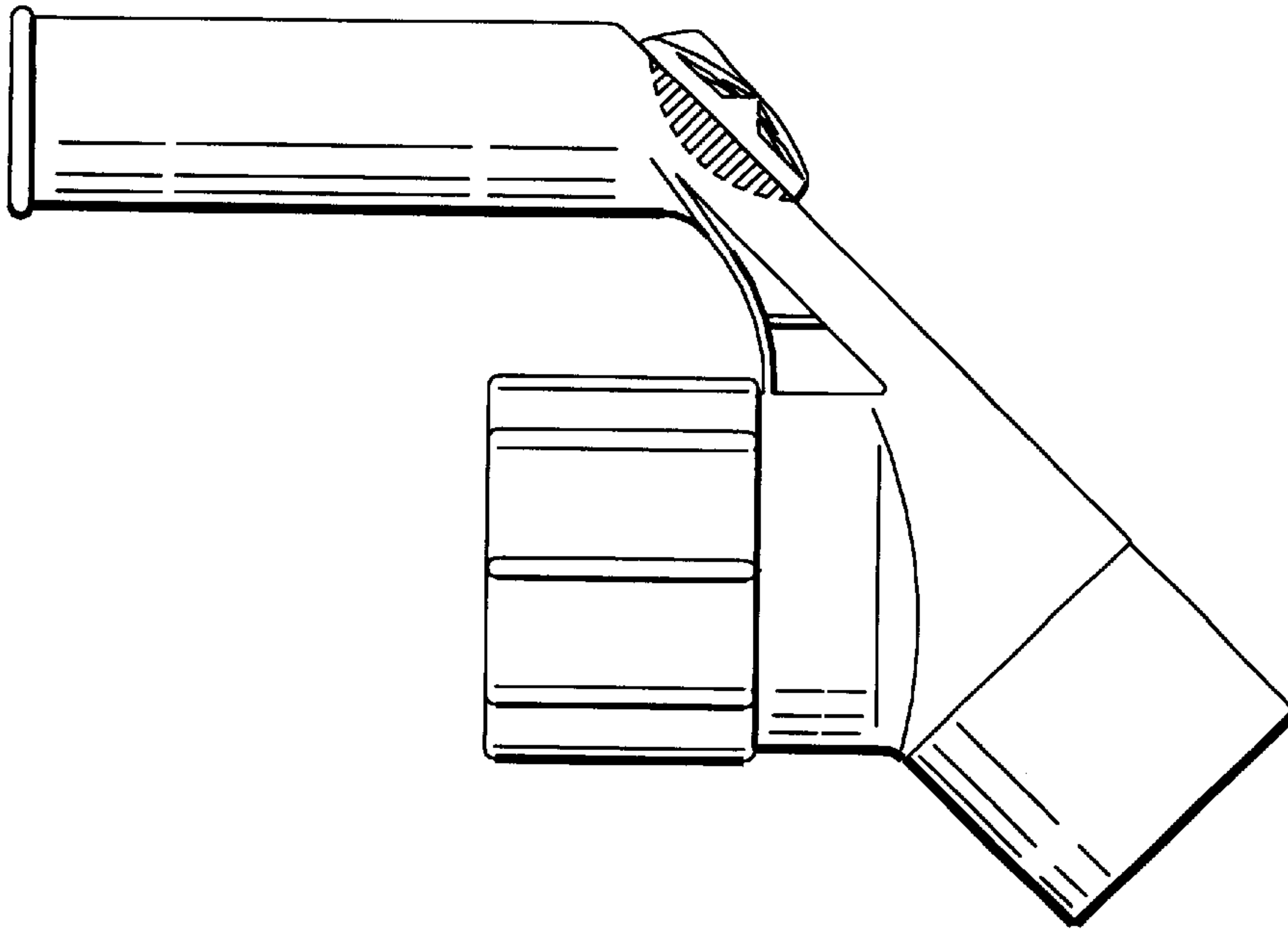


Fig. 1

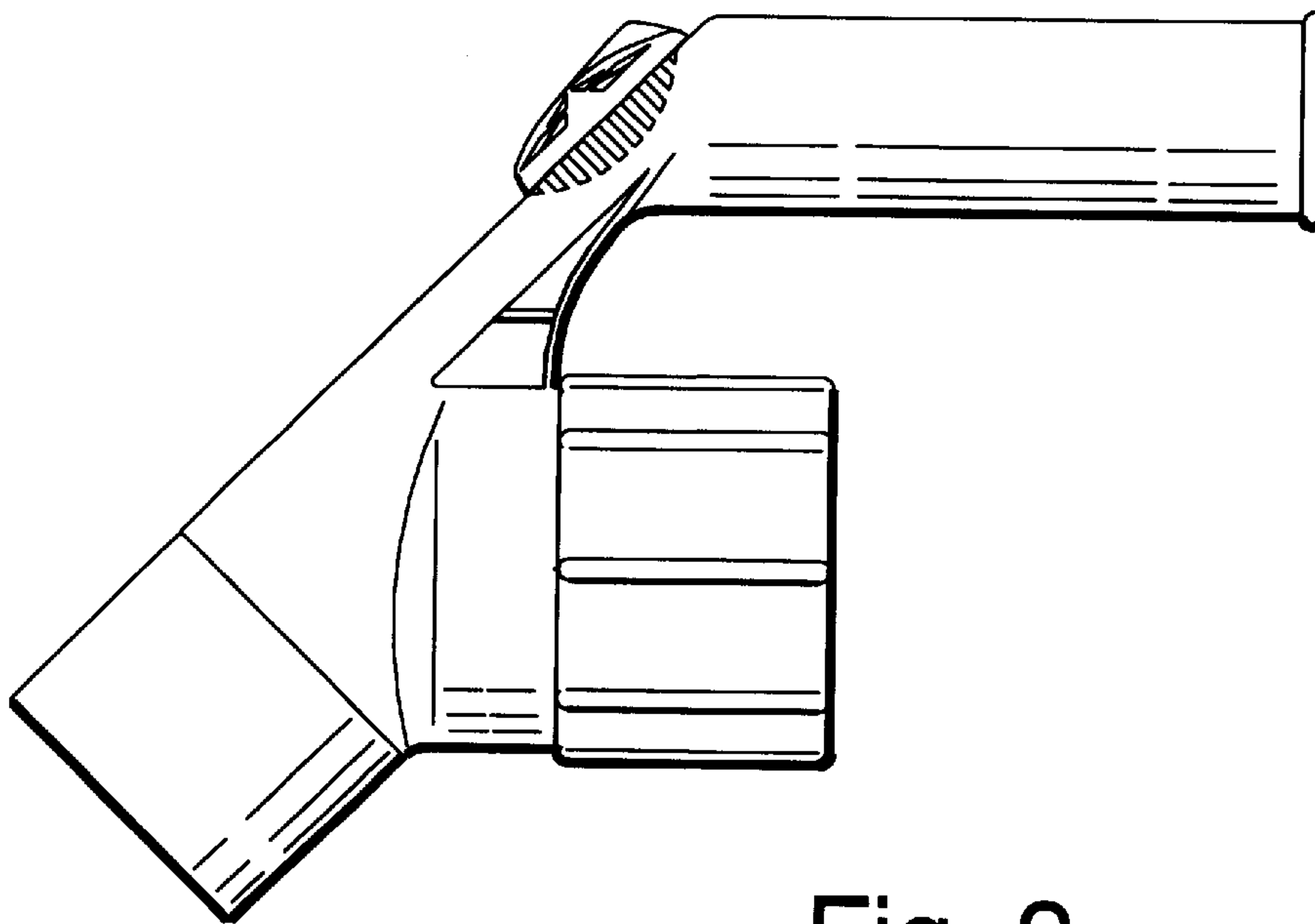


Fig. 2

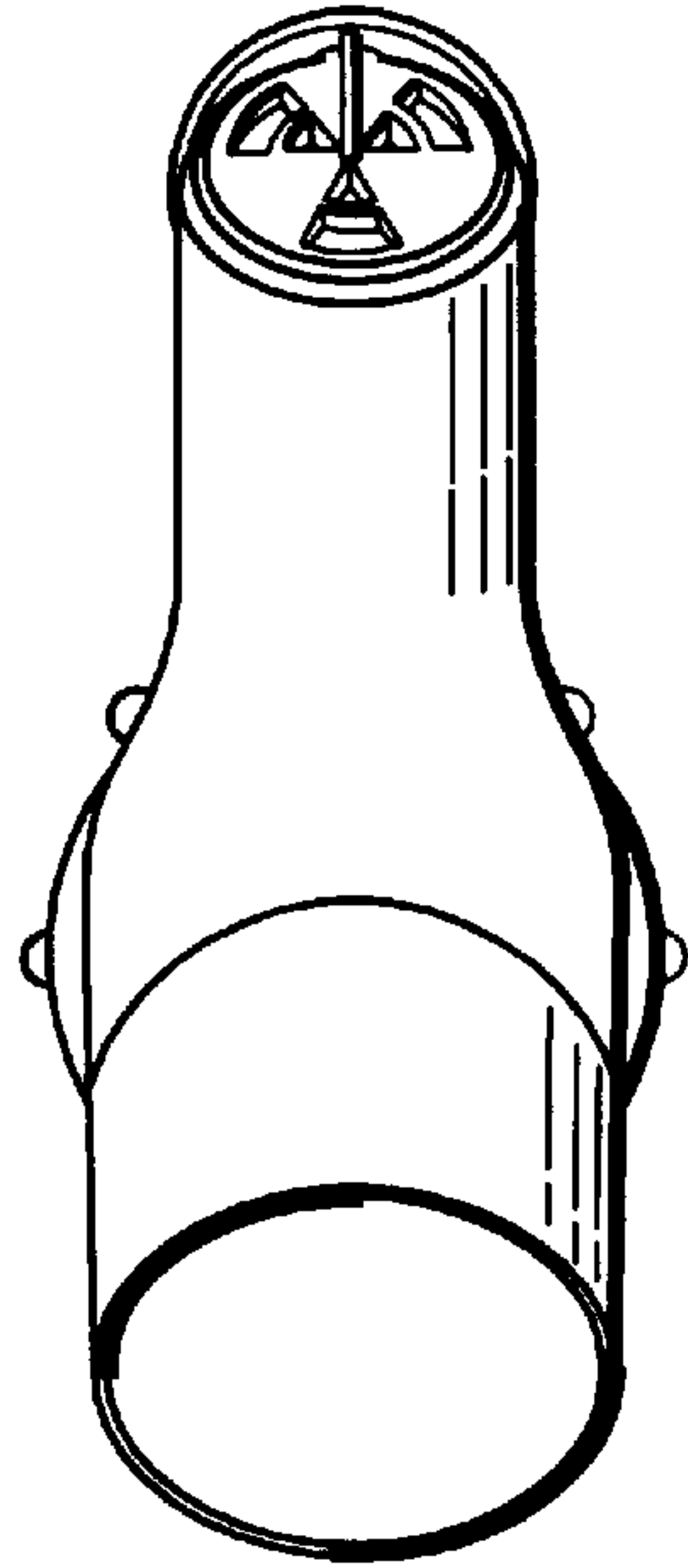


Fig. 3

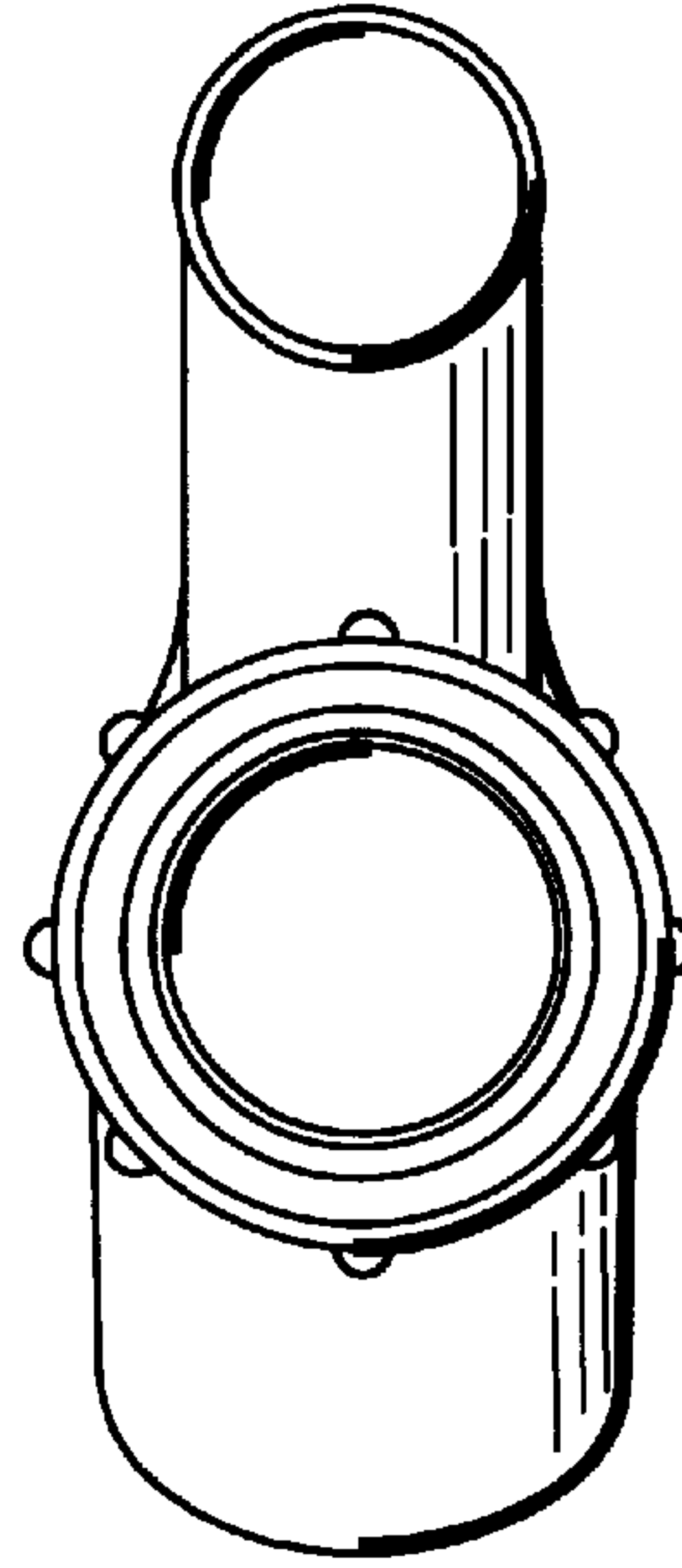


Fig. 4

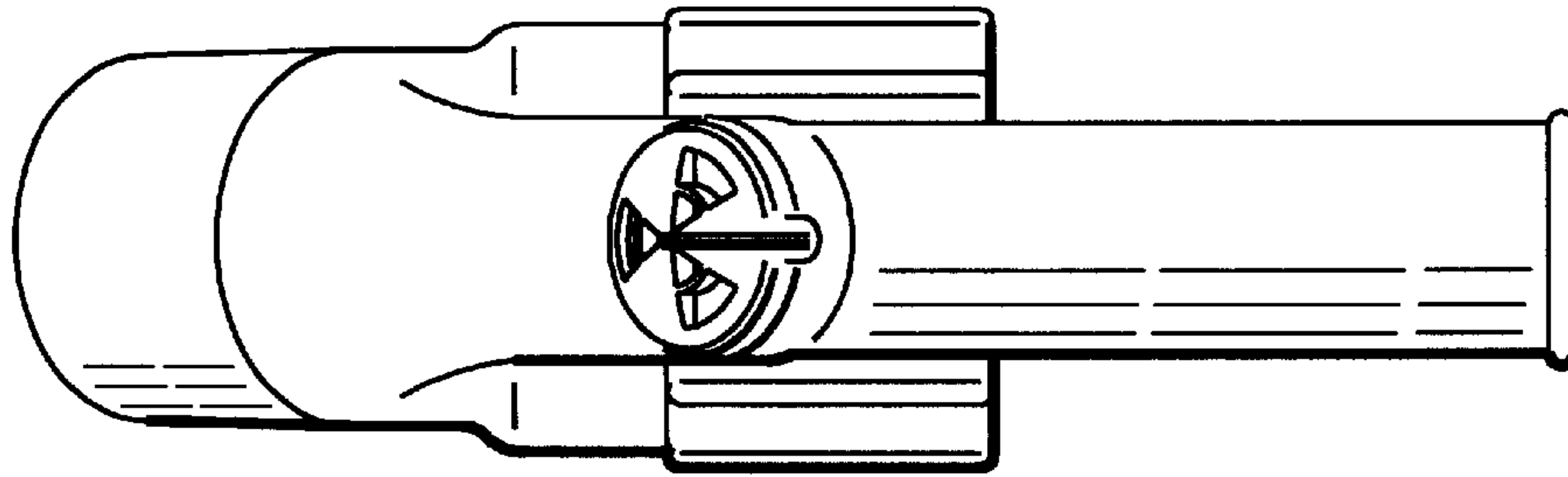


Fig. 5

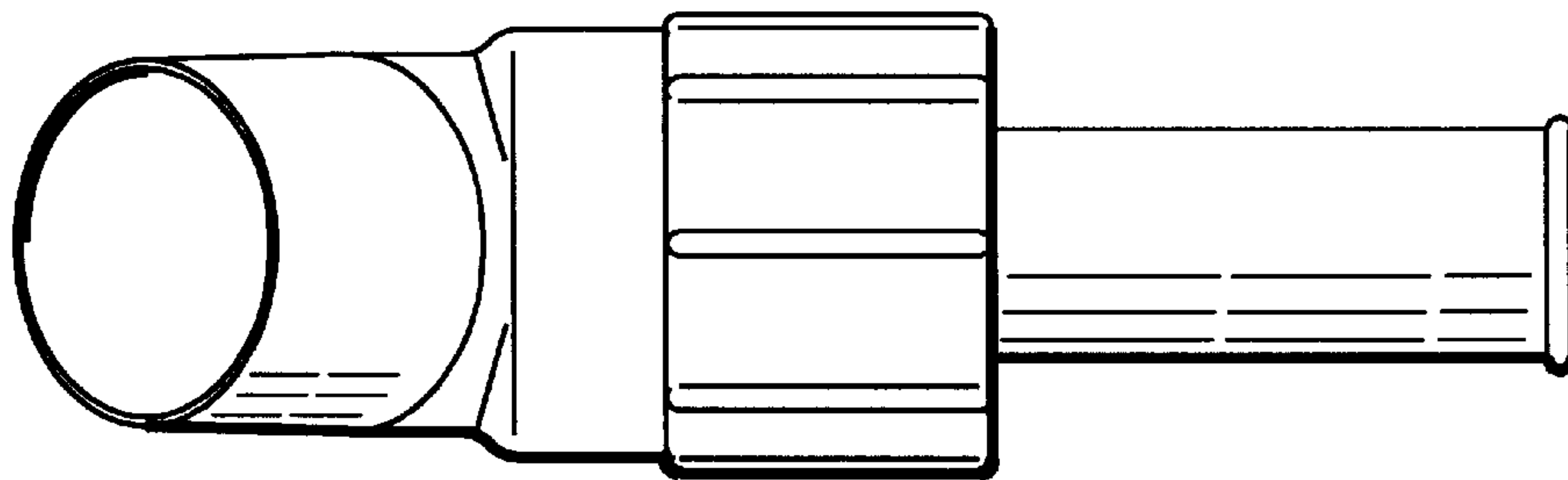


Fig. 6

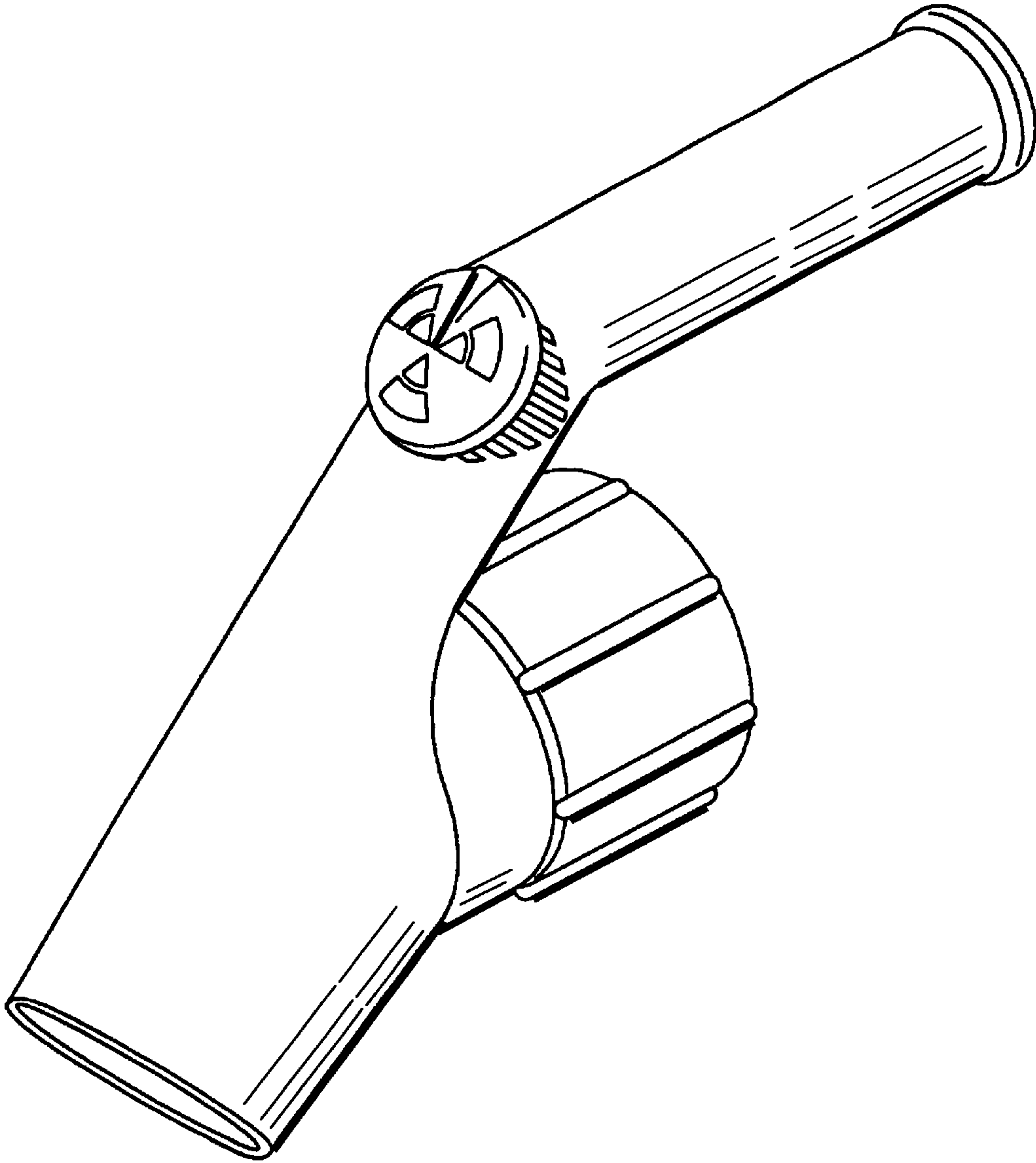


Fig. 7

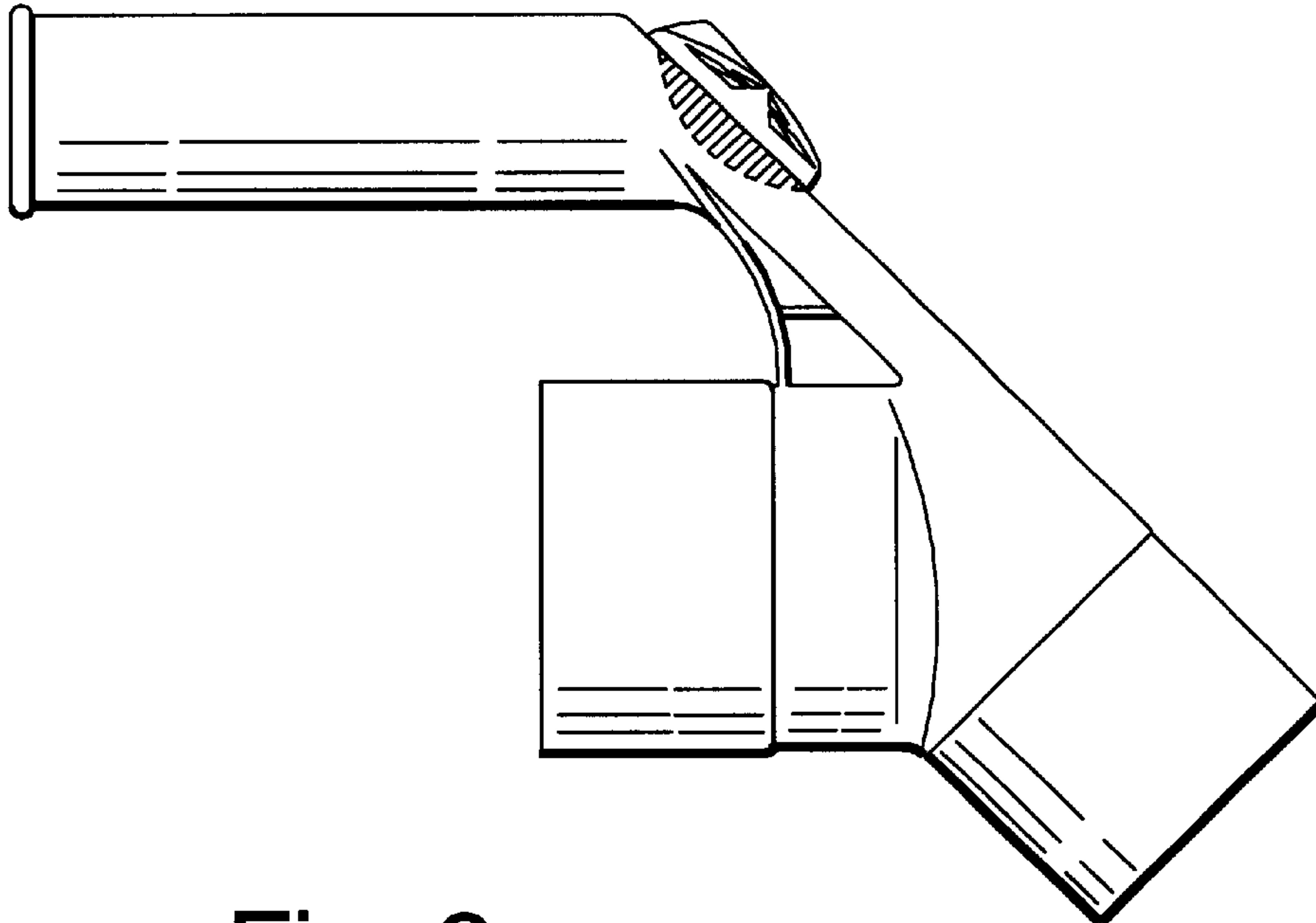


Fig. 8

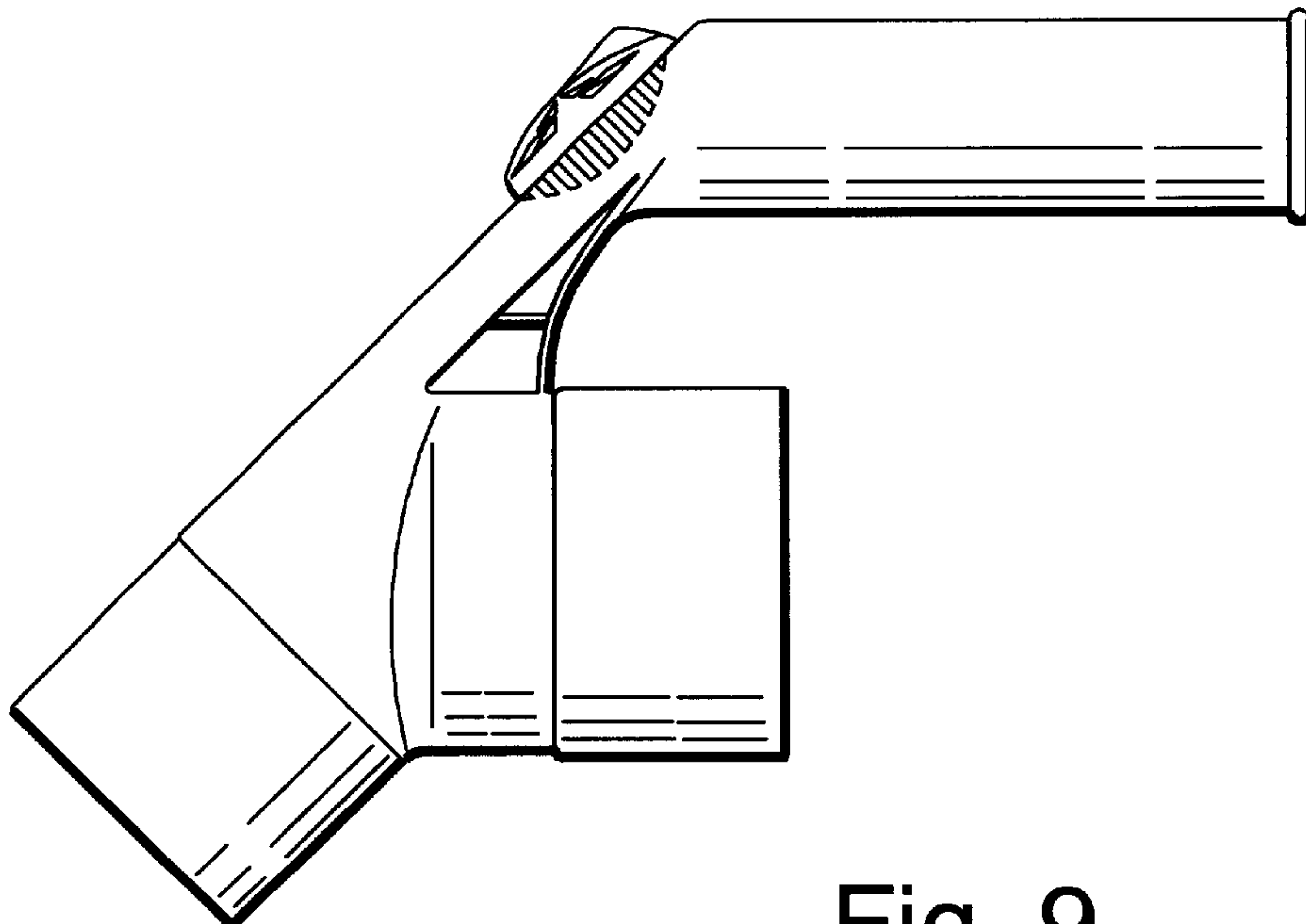


Fig. 9

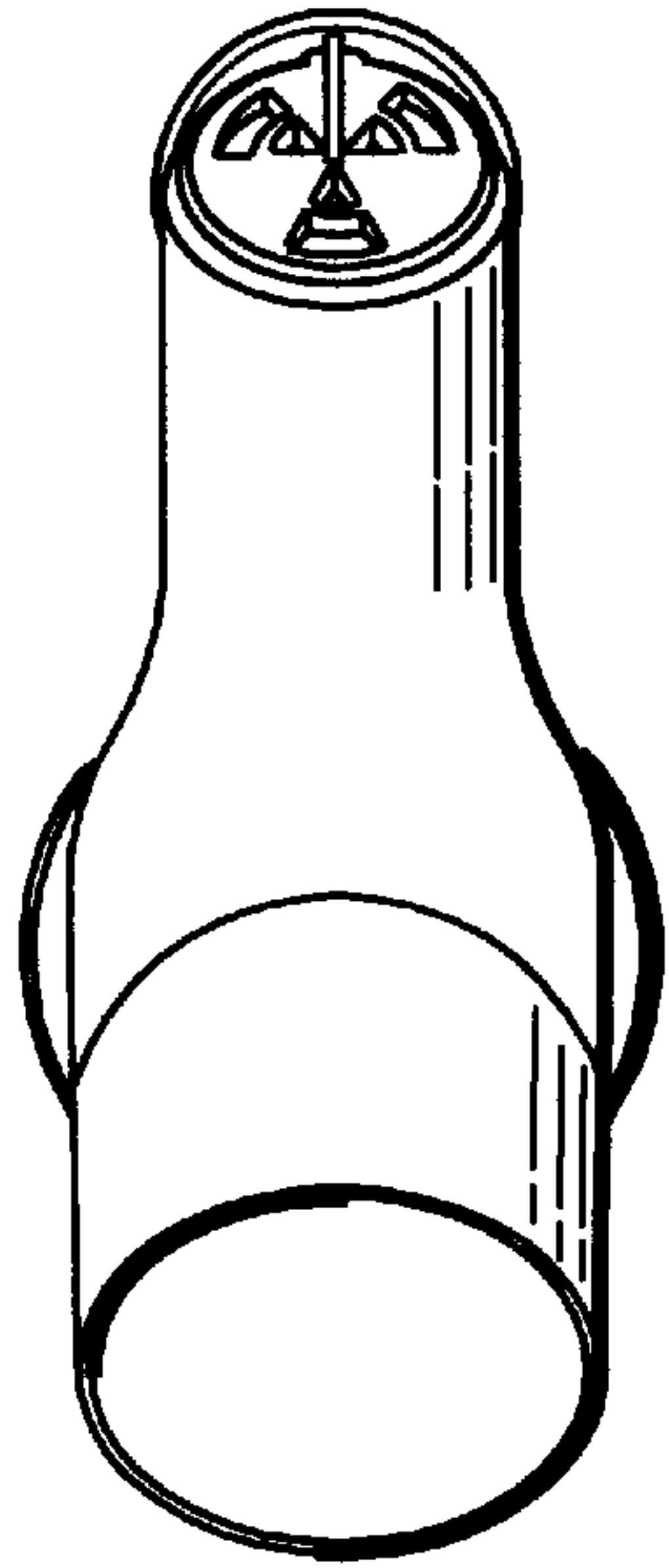


Fig. 10

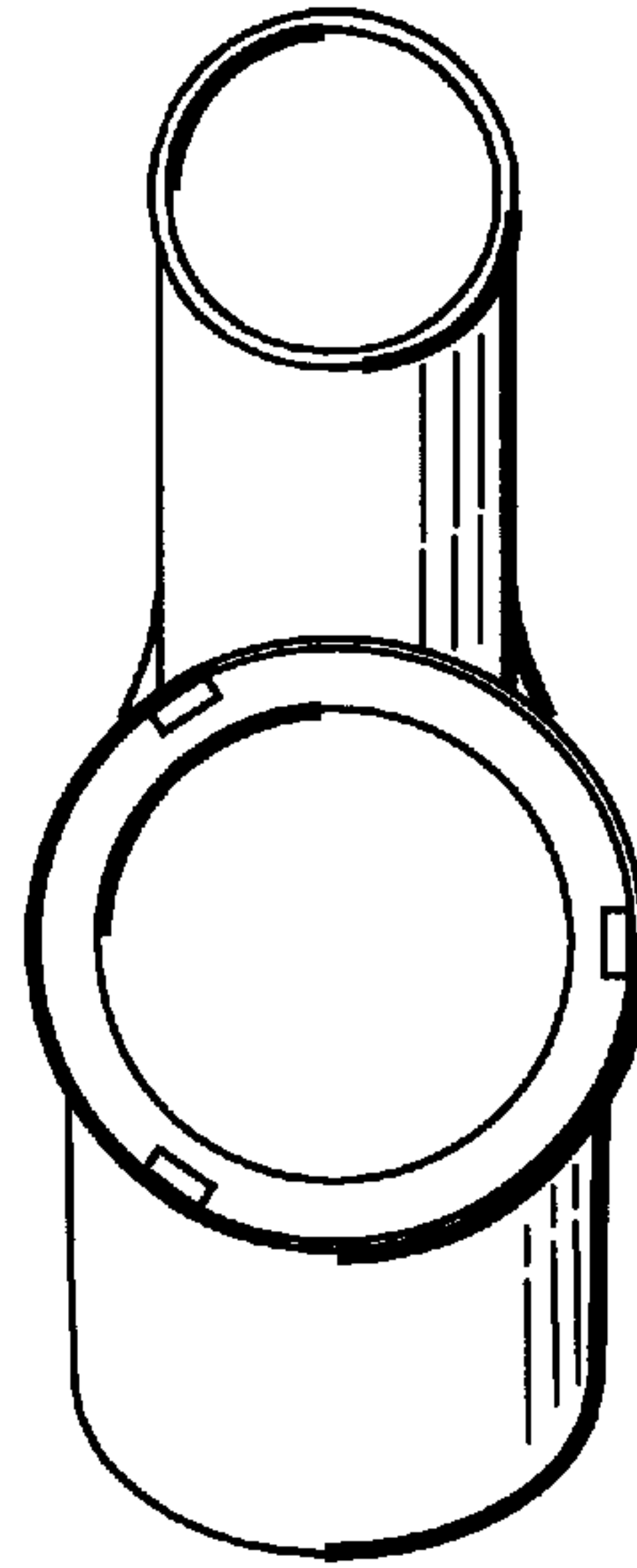


Fig. 11

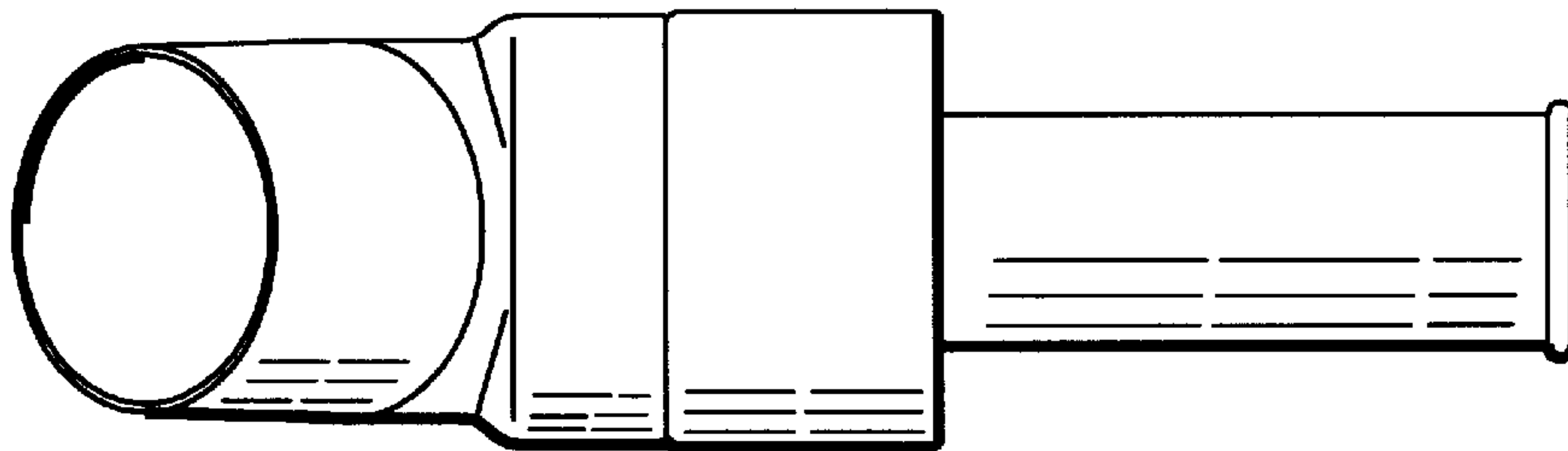


Fig. 12

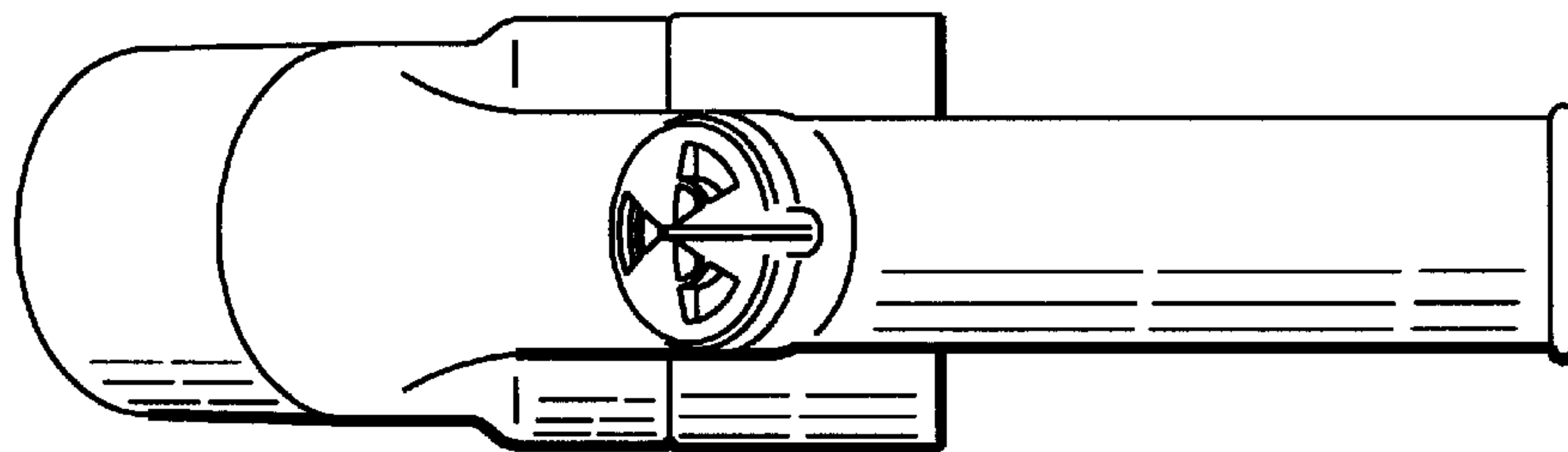


Fig. 13

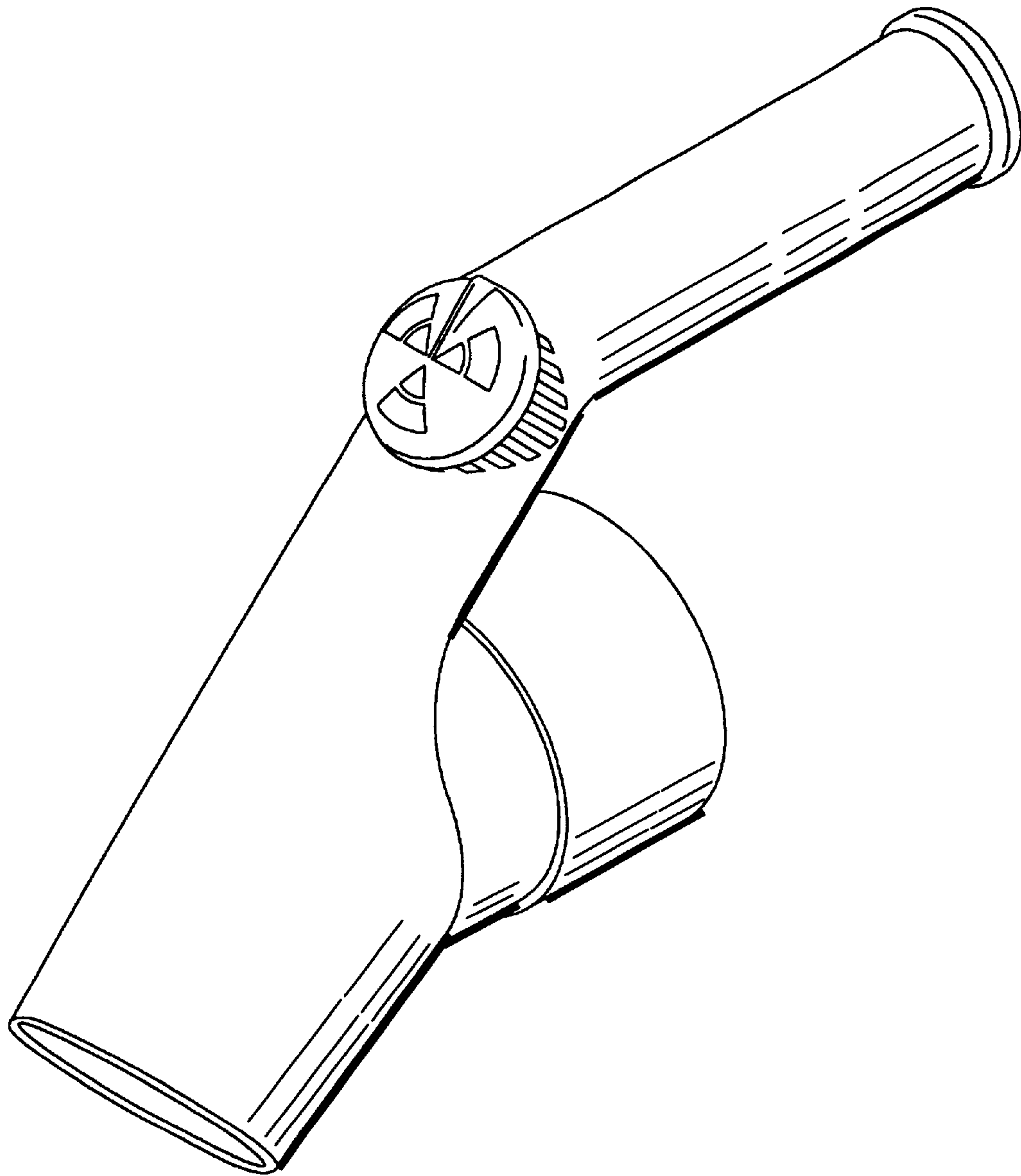


Fig. 14

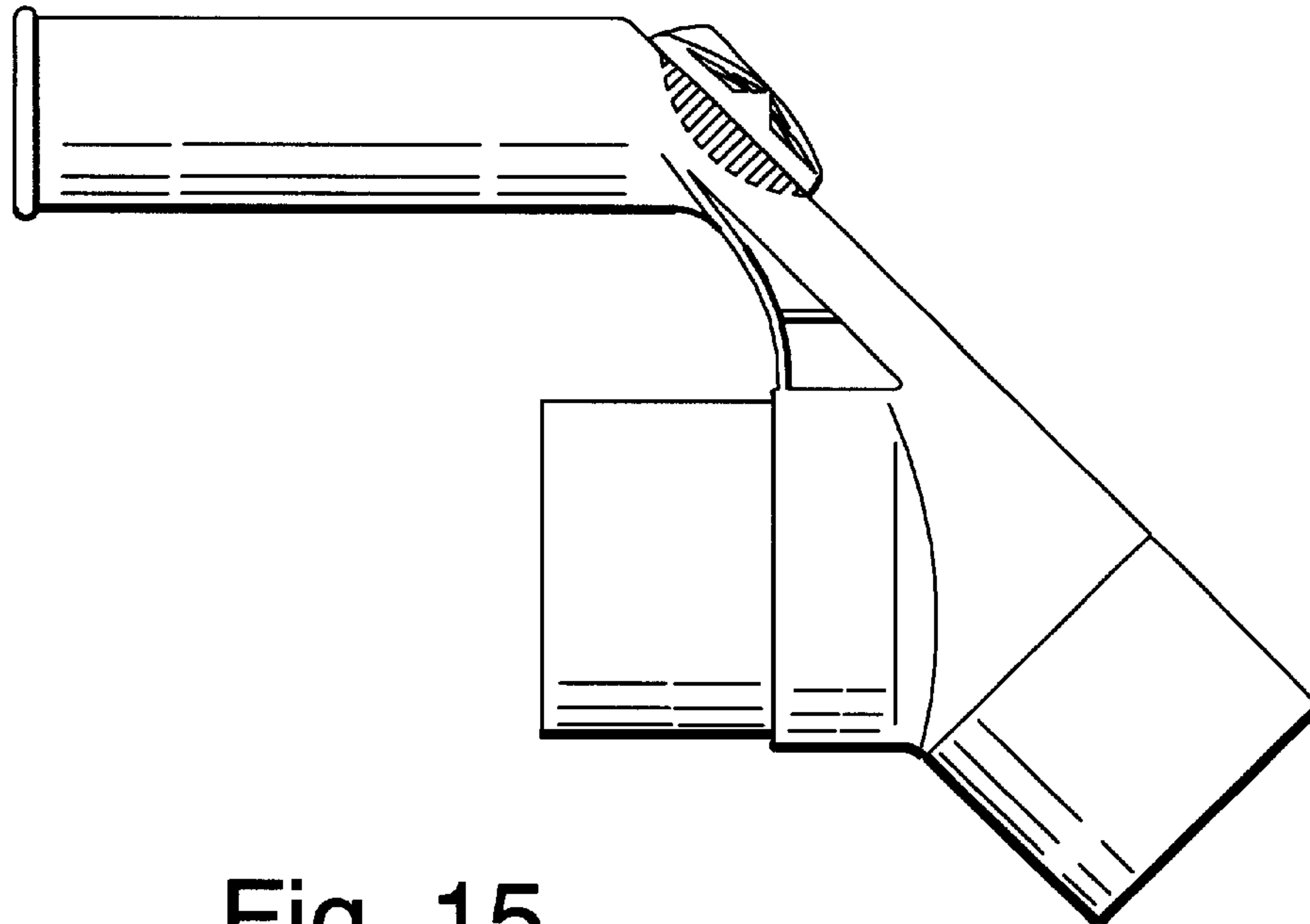


Fig. 15

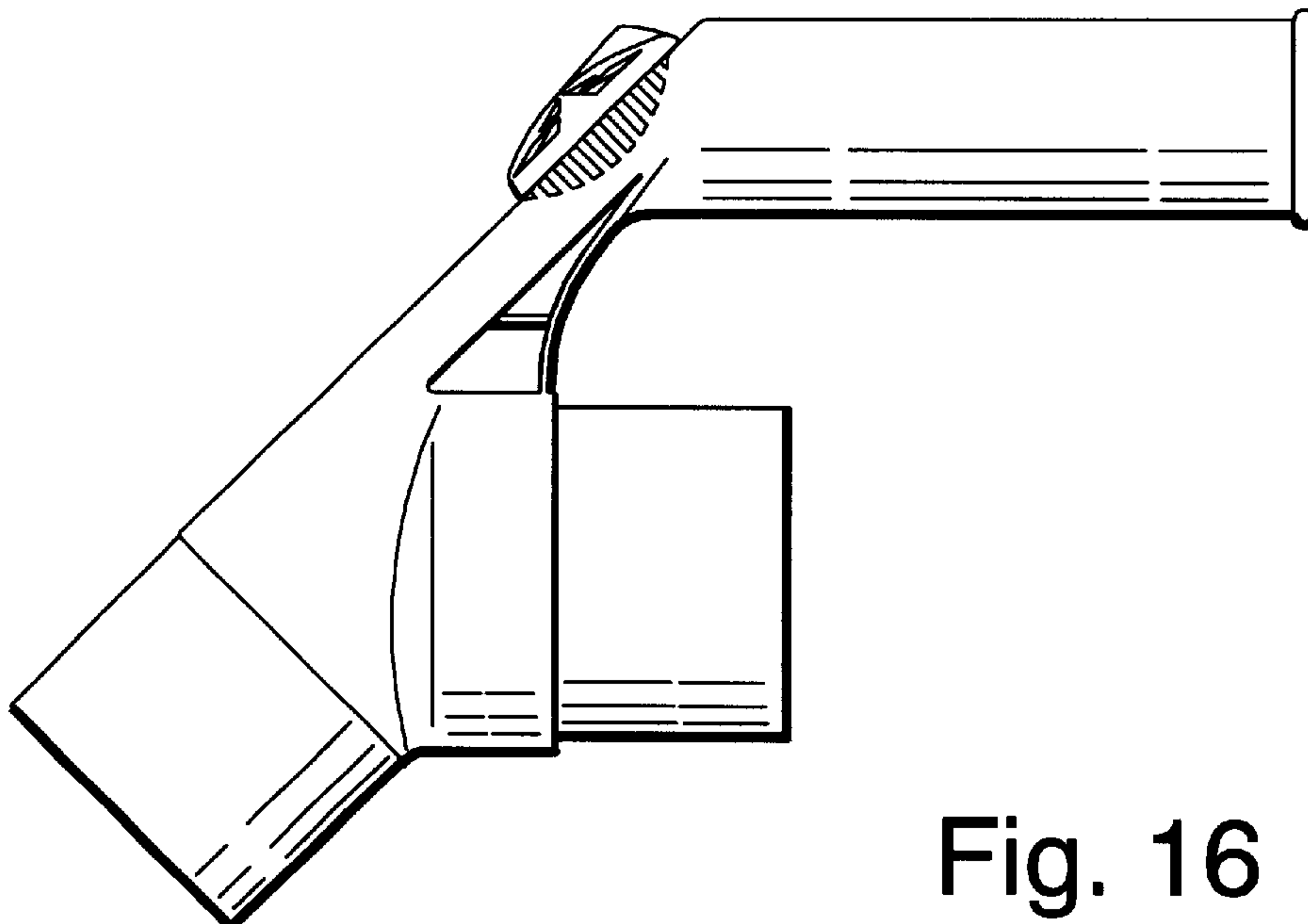


Fig. 16

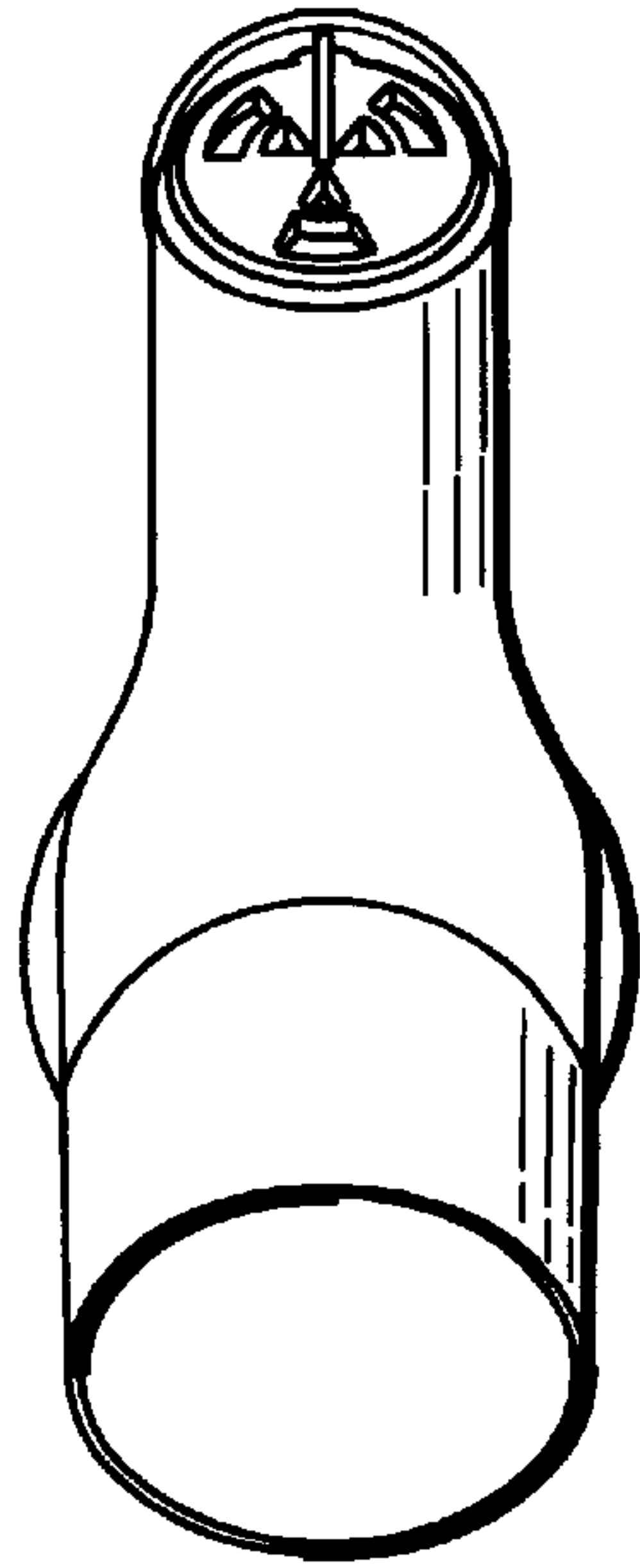


Fig. 17

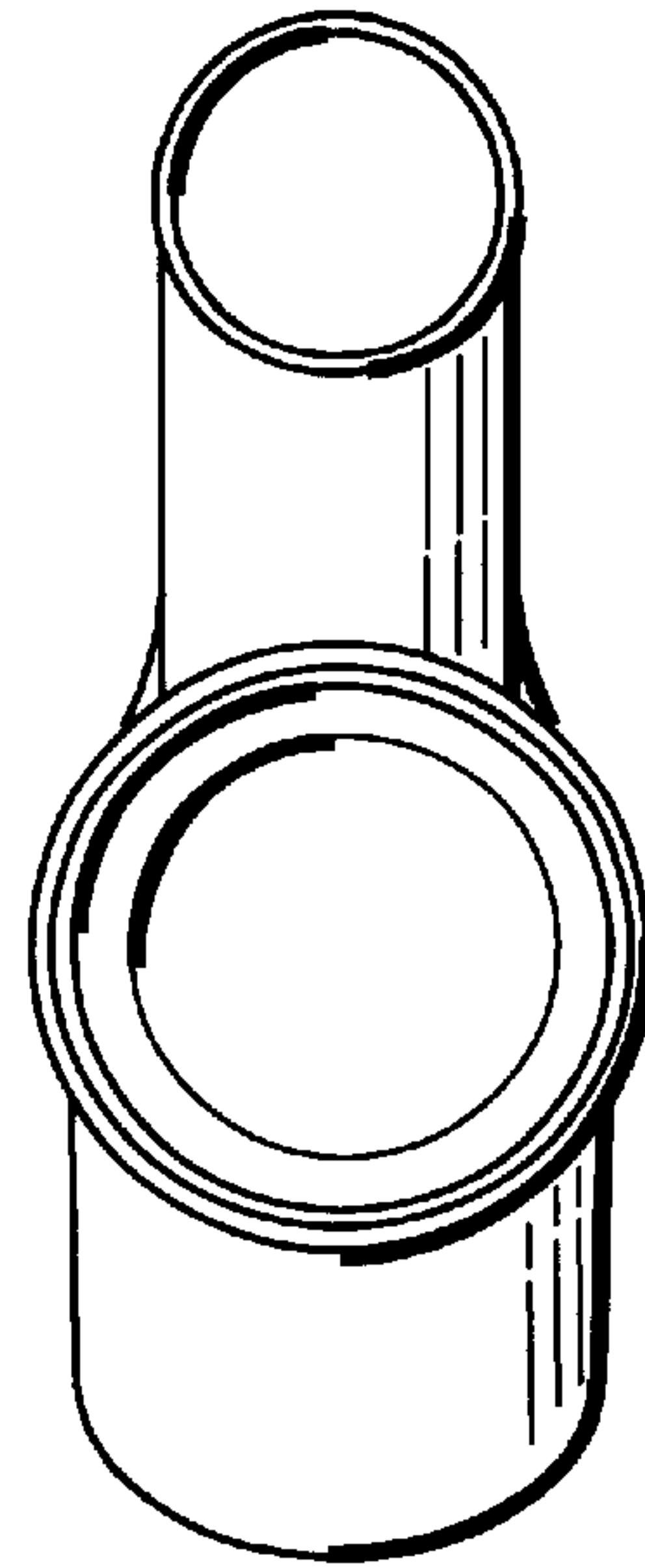


Fig. 18

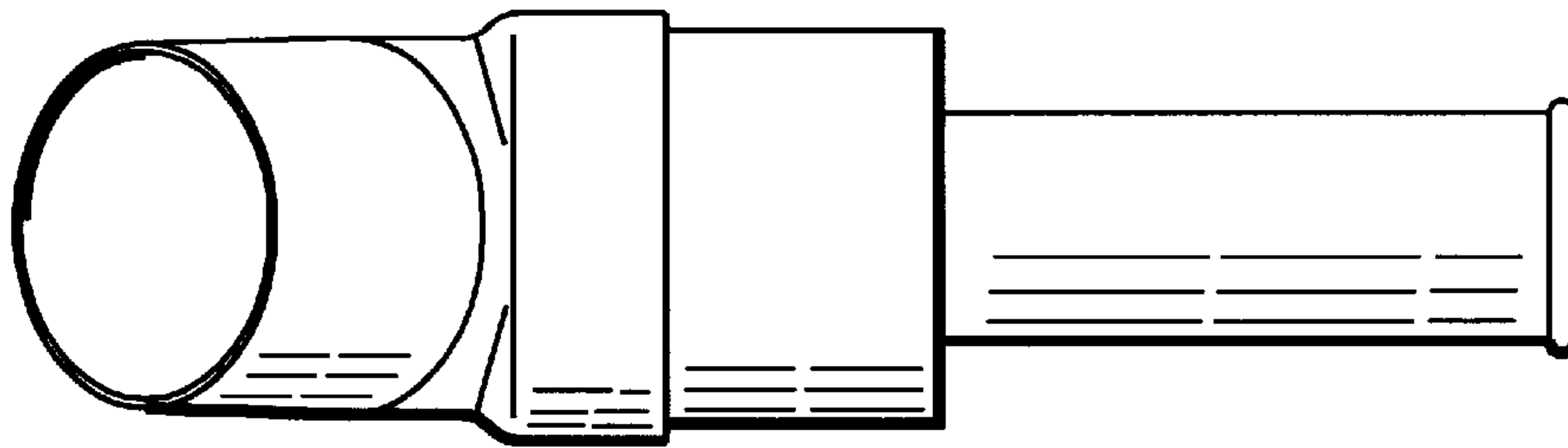


Fig. 19

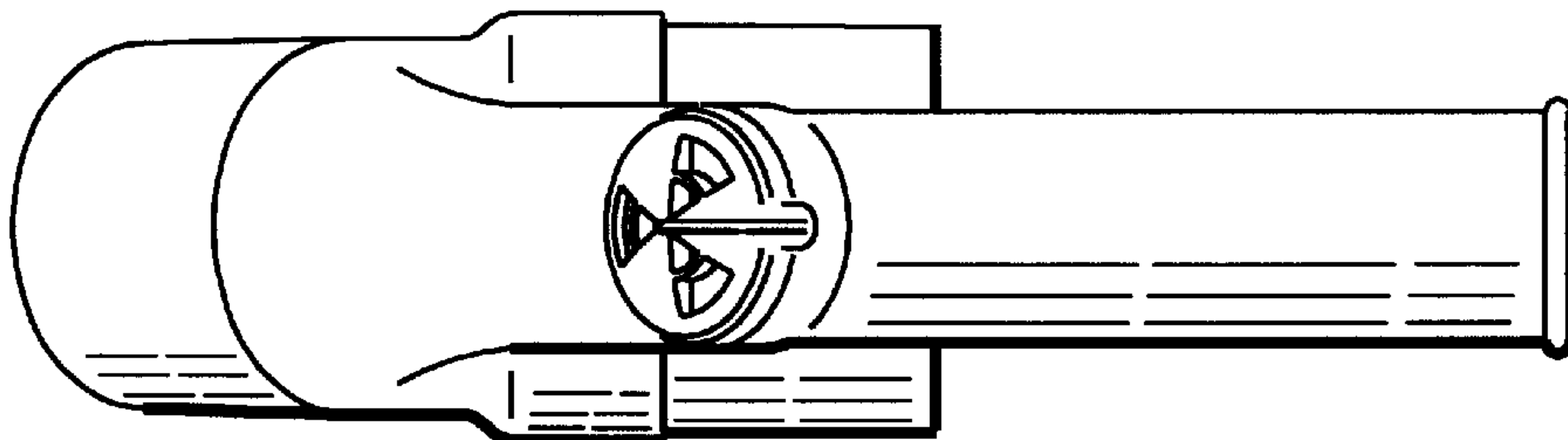


Fig. 20

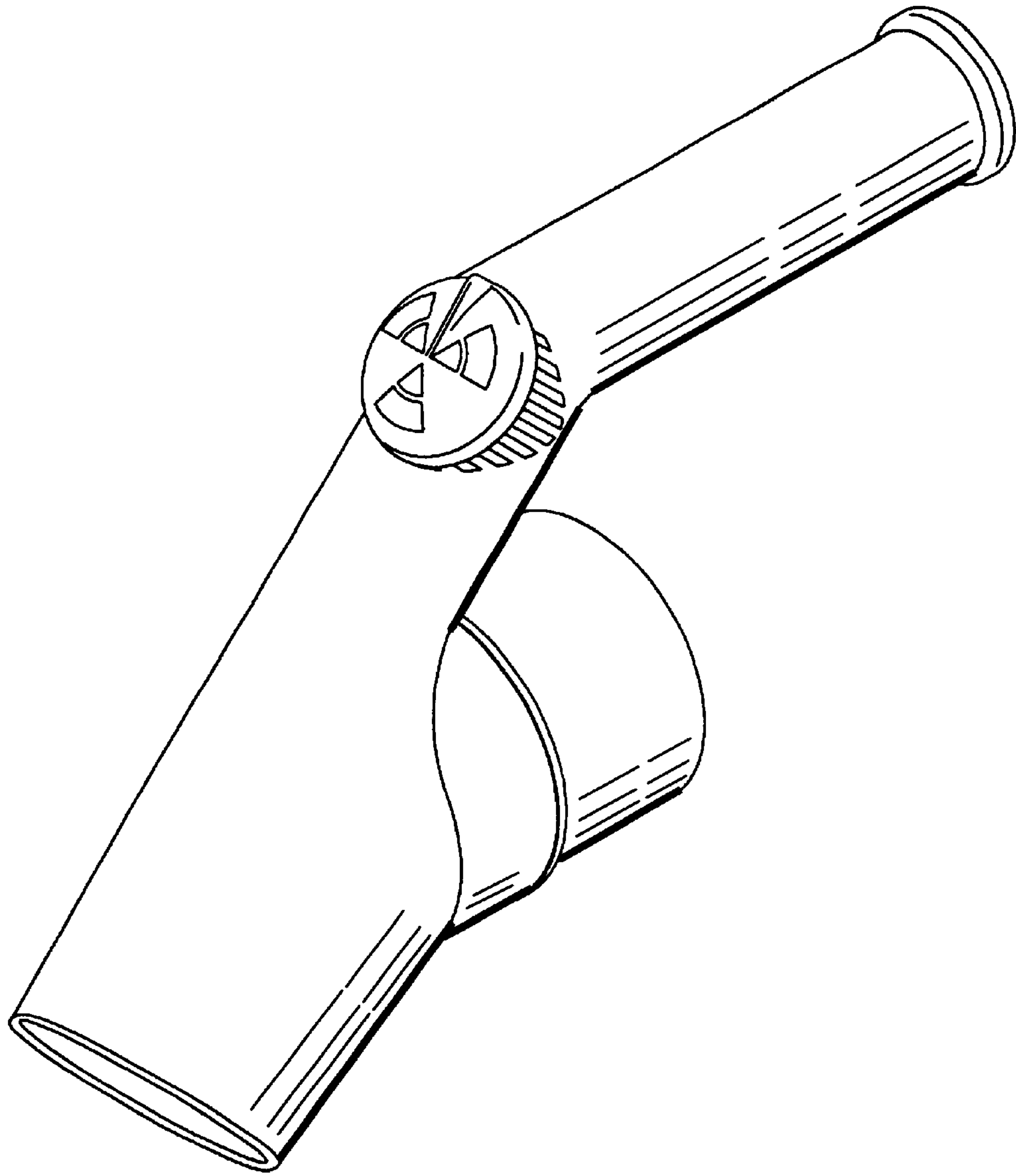


Fig. 21