



US00D493923S1

(12) **United States Design Patent**
Ott et al.

(10) **Patent No.:** **US D493,923 S**
(45) **Date of Patent:** **** Aug. 3, 2004**

(54) **DISHWASHER**
(75) Inventors: **Thomas Ott**, Gundelfingen (DE);
Roland Vetter, Giengen-Sachsenhausen
(DE)

2,703,581 A * 3/1955 Culhane 134/133
3,279,481 A * 10/1966 Neyhouse et al. 134/57 D
5,358,326 A * 10/1994 Cherry et al. 312/405
D377,853 S * 2/1997 Sparks D32/3
6,622,740 B1 * 9/2003 Durazzani 134/201

(73) Assignee: **BSH Bosch und Siemens Hausgerate
GmbH**, Munich (DE)

* cited by examiner

(**) Term: **14 Years**

Primary Examiner—Louis S. Zarfes
Assistant Examiner—Robert A Delehanty
(74) *Attorney, Agent, or Firm*—Laurence A. Greenberg;
Werner H. Stemer; Ralph E. Locher

(21) Appl. No.: **29/182,496**

(22) Filed: **May 28, 2003**

(57) **CLAIM**

(30) **Foreign Application Priority Data**

The ornamental design for a dishwasher, as shown and described.

Nov. 28, 2002 (DE) 402 09 974

DESCRIPTION

(51) **LOC (7) Cl.** **15-05**

(52) **U.S. Cl.** **D32/3**

(58) **Field of Search** D32/1-3, 5-6,
D32/8, 25, 28; D7/340, 405, 348-351;
68/212; 312/31, 228, 228.1, 204, 405; 134/113,
201, 57 D, 57 DL, 56 D, 58 D, 58 DL,
133, 115 R

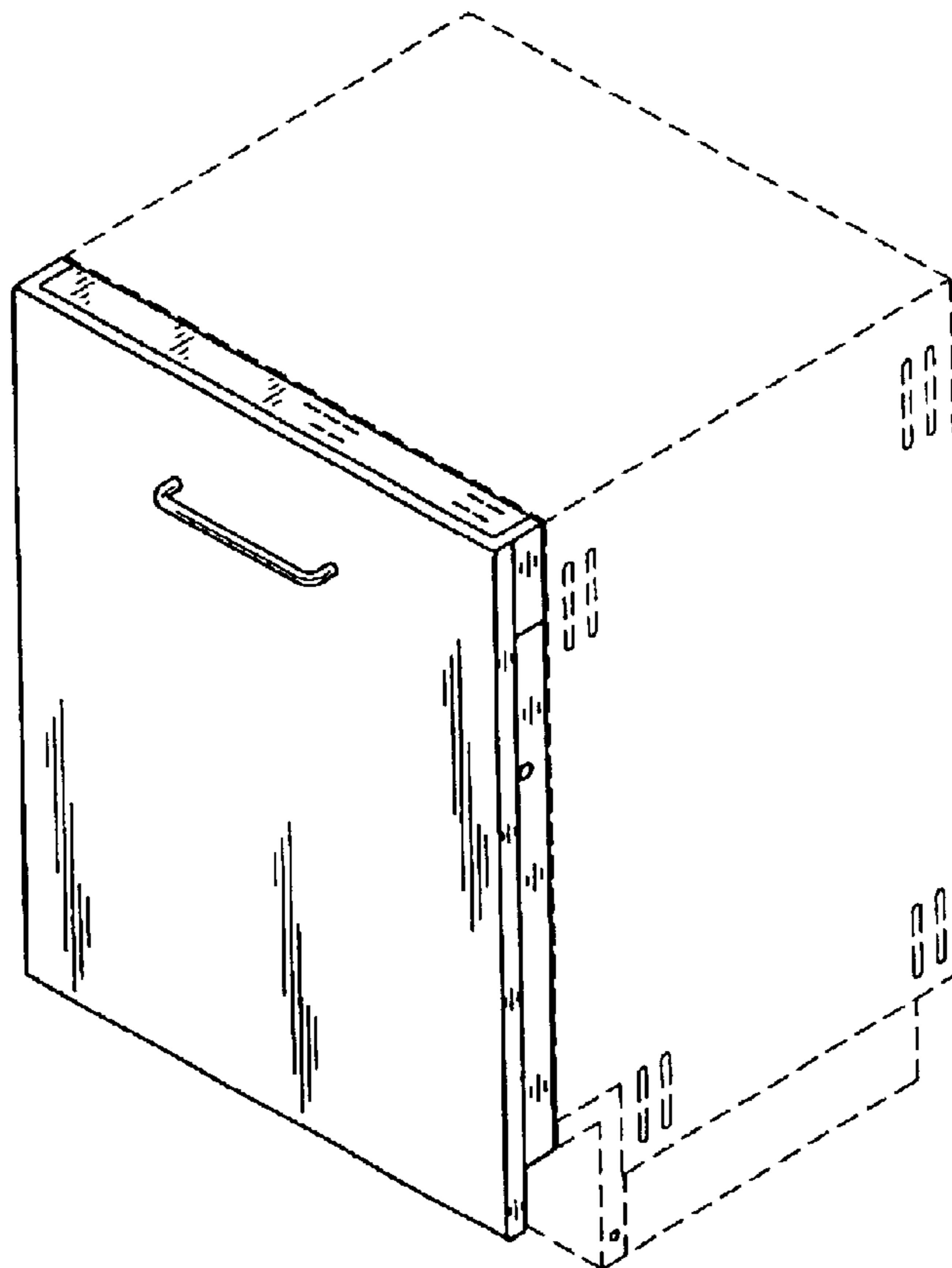
FIG. 1 is a front perspective view of the dishwasher;
FIG. 2 is a left side view thereof, the right side view being
a mirror image thereof;
FIG. 3 is a front side view thereof; and,
FIG. 4 is a top side view thereof.
The broken line showing of portions of the dishwasher is for
illustrative purposes only and forms no part of the claimed
design.

(56) **References Cited**

U.S. PATENT DOCUMENTS

2,661,750 A * 12/1953 McNairy 134/115 R

1 Claim, 2 Drawing Sheets



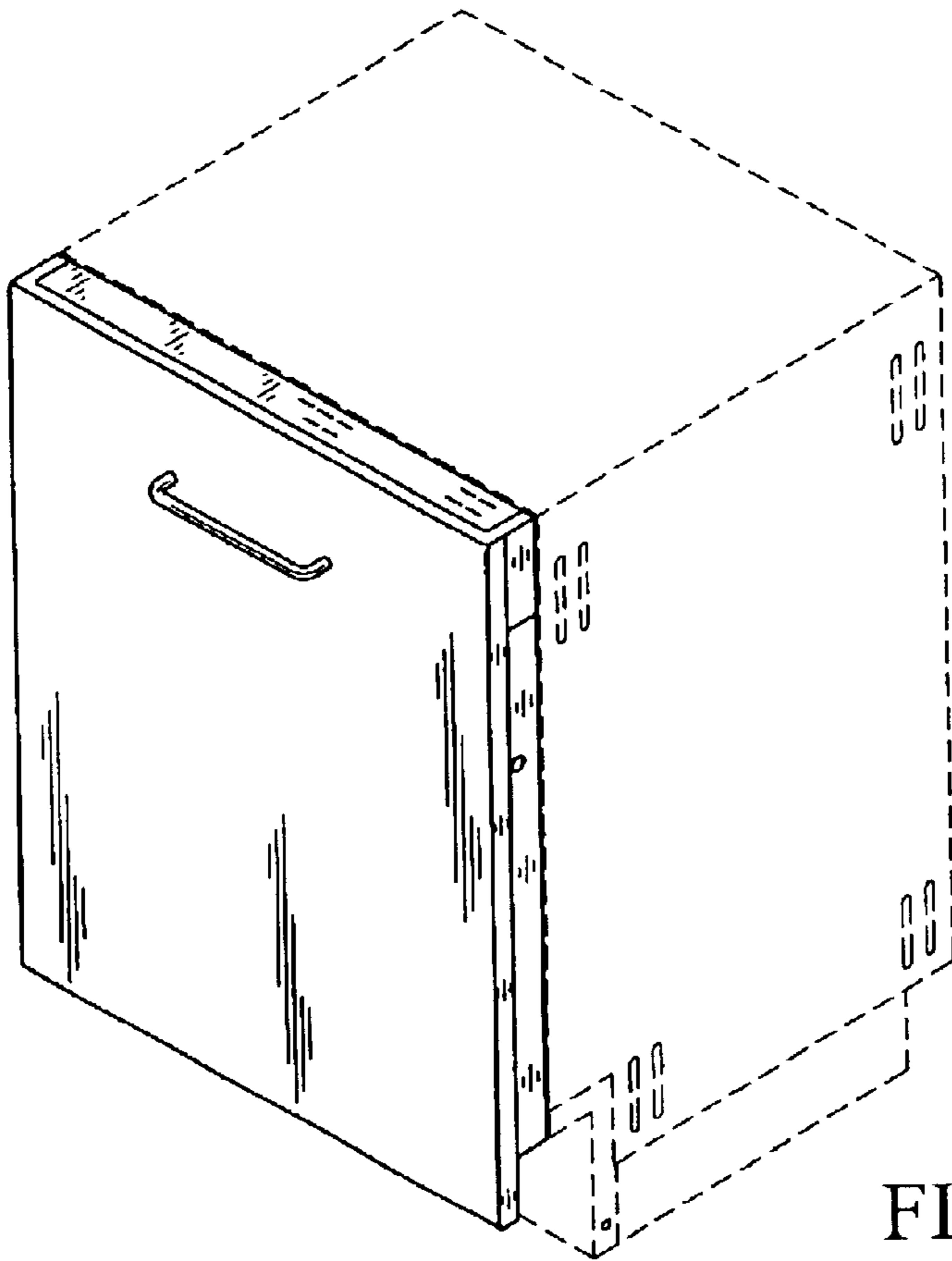


FIG. 1

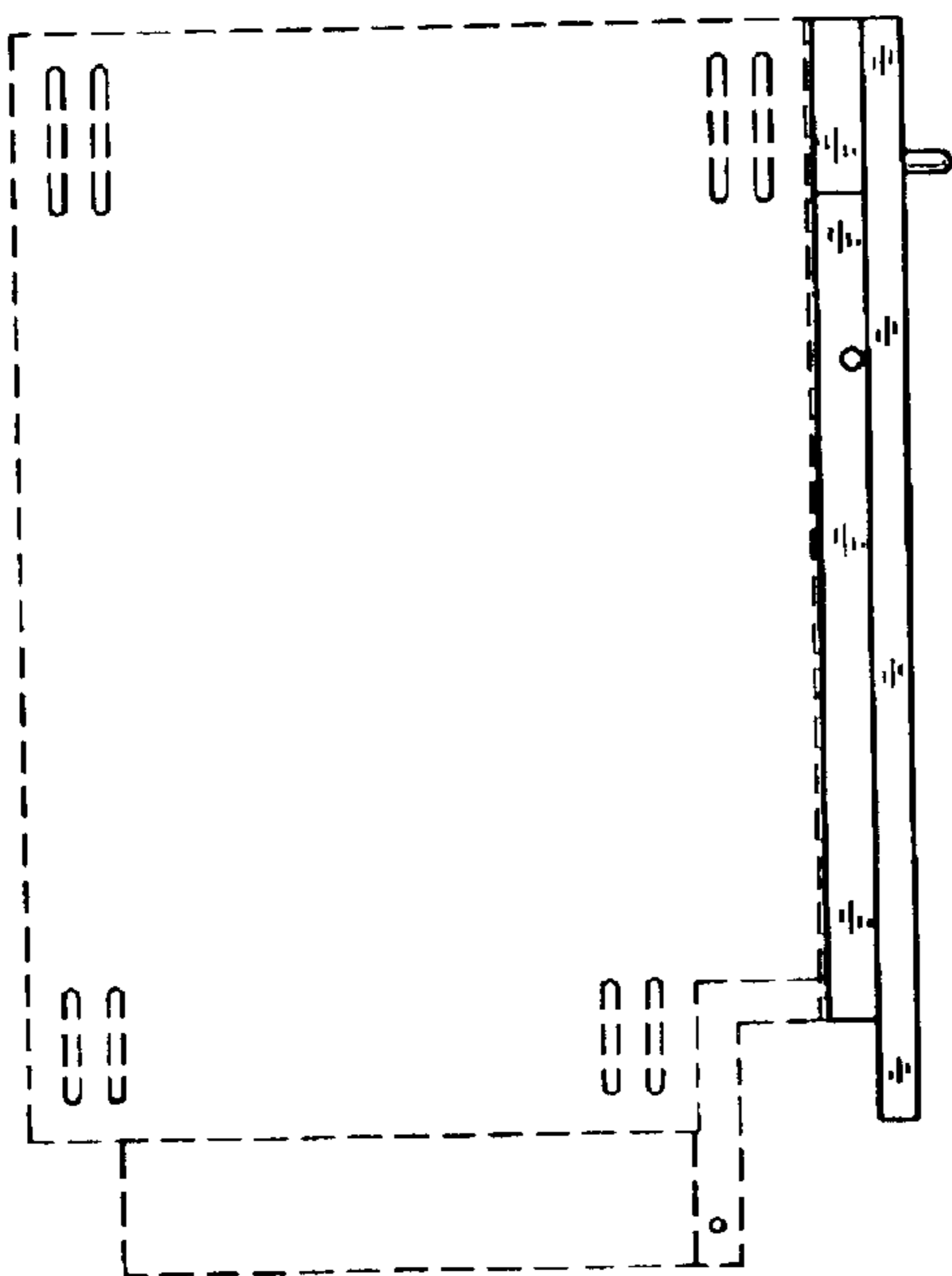


FIG. 2

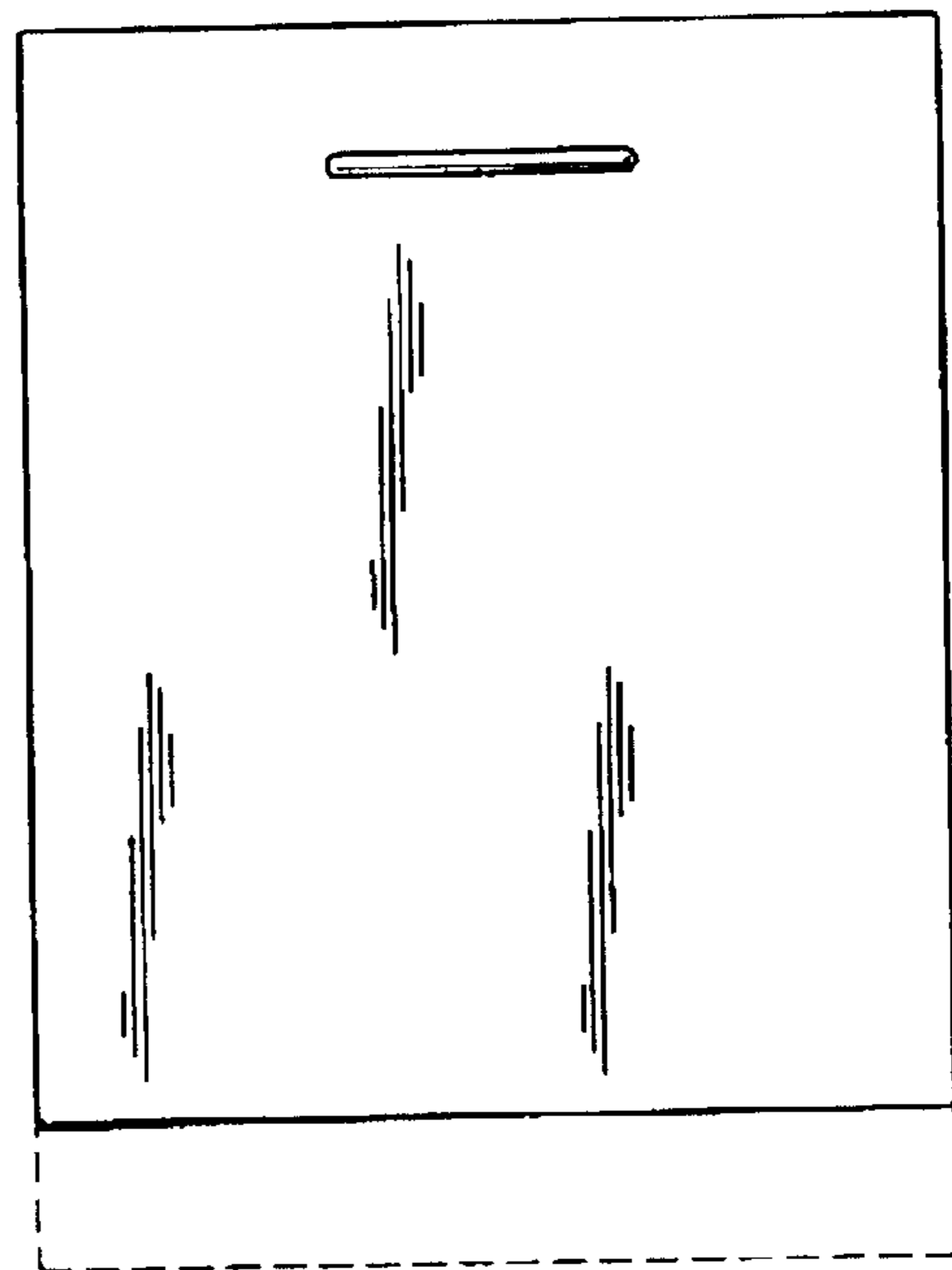


FIG. 3

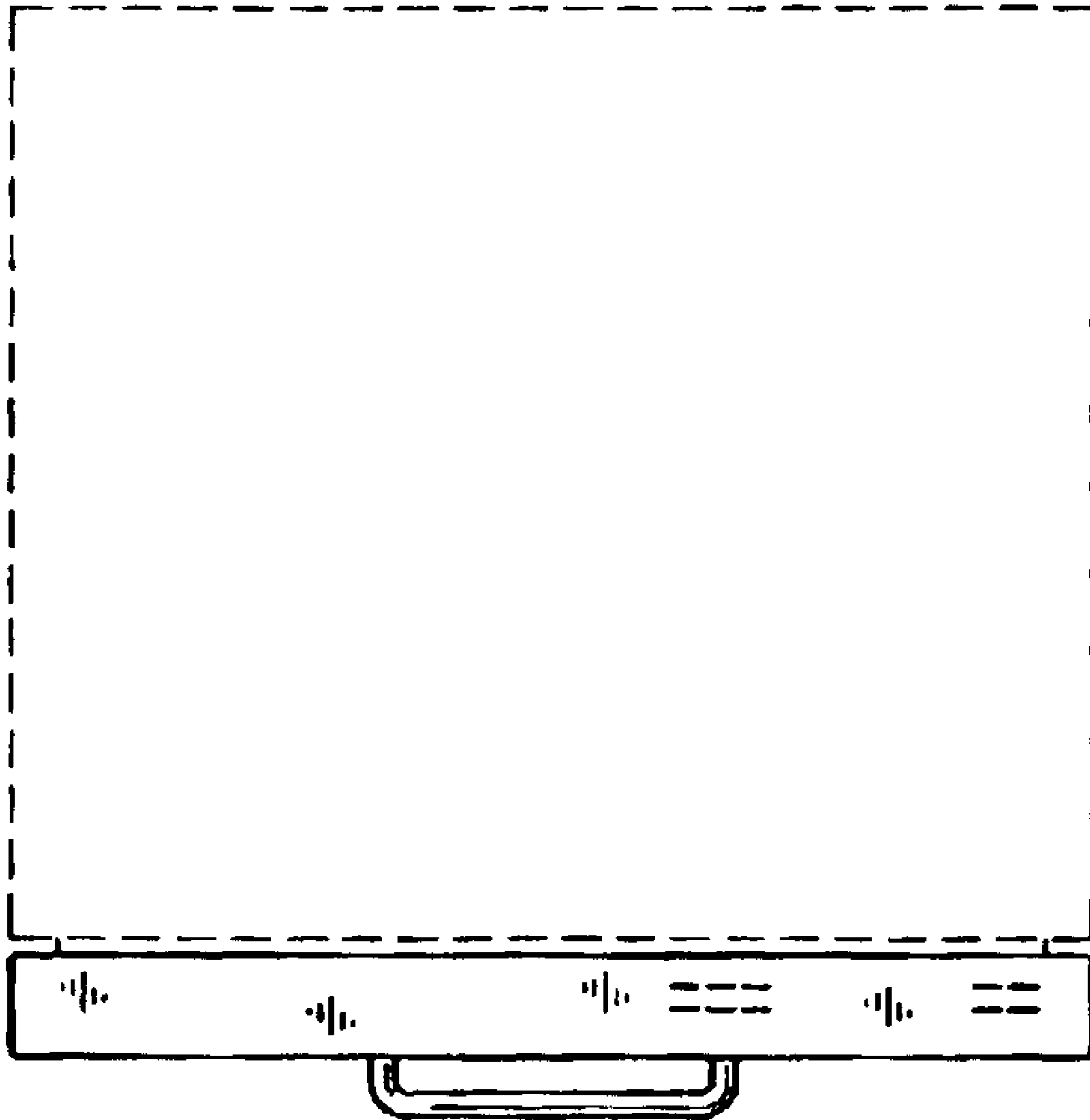


FIG. 4