

US00D493922S1

(12) **United States Design Patent**
Klotz

(10) **Patent No.: US D493,922 S**

(45) **Date of Patent: ** Aug. 3, 2004**

(54) **THROWABLE RESCUE REEL**

(76) **Inventor: Manfred Klotz**, 121 Main St N, New Market, ON (CA), L3Y 4A2

(**) **Term: 14 Years**

(21) **Appl. No.: 29/183,144**

(22) **Filed: Jun. 5, 2003**

(51) **LOC (7) Cl. 29-02**

(52) **U.S. Cl. D29/124; D21/803**

(58) **Field of Search D29/124; D21/769, D21/770, 803, 804; 441/81, 80, 88, 83, 84; D3/24; D9/419; D8/358**

(56) **References Cited**

U.S. PATENT DOCUMENTS

2,342,868	A	*	2/1944	King	441/81
4,416,640	A	*	11/1983	Eickenhorst	441/81
4,449,947	A	*	5/1984	Brault	441/81
4,976,642	A	*	12/1990	Wilkie	441/131
5,562,512	A	*	10/1996	Samelian	441/81

D388,692	S	*	1/1998	Anderson	D8/358
6,019,651	A	*	2/2000	Driscoll et al.	441/84
6,413,134	B1	*	7/2002	Wahl et al.	441/84
6,629,867	B1	*	10/2003	Smith	441/81

* cited by examiner

Primary Examiner—Lucy Lieberman

(57) **CLAIM**

The ornamental design for a throwable rescue reel, as shown and described.

DESCRIPTION

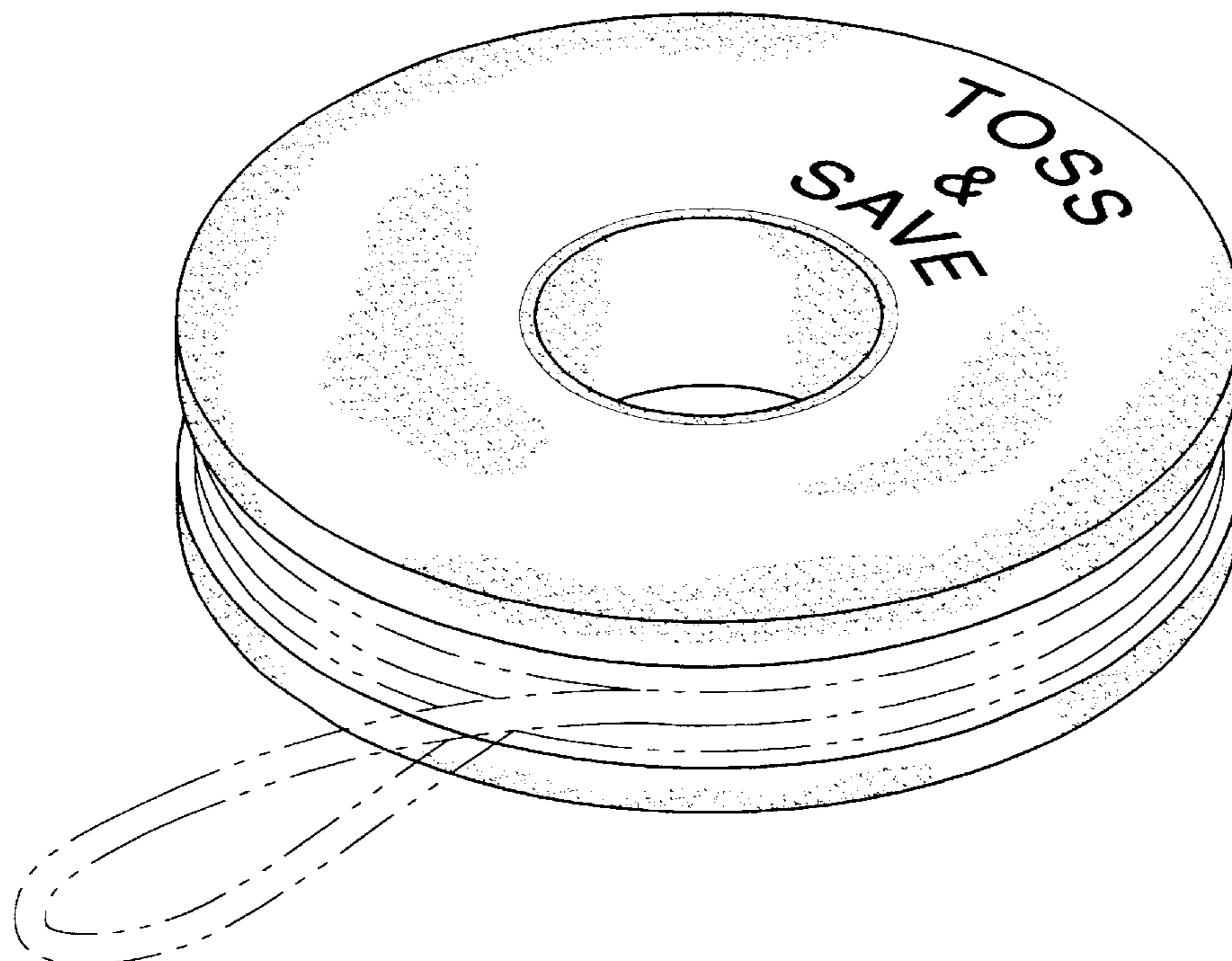
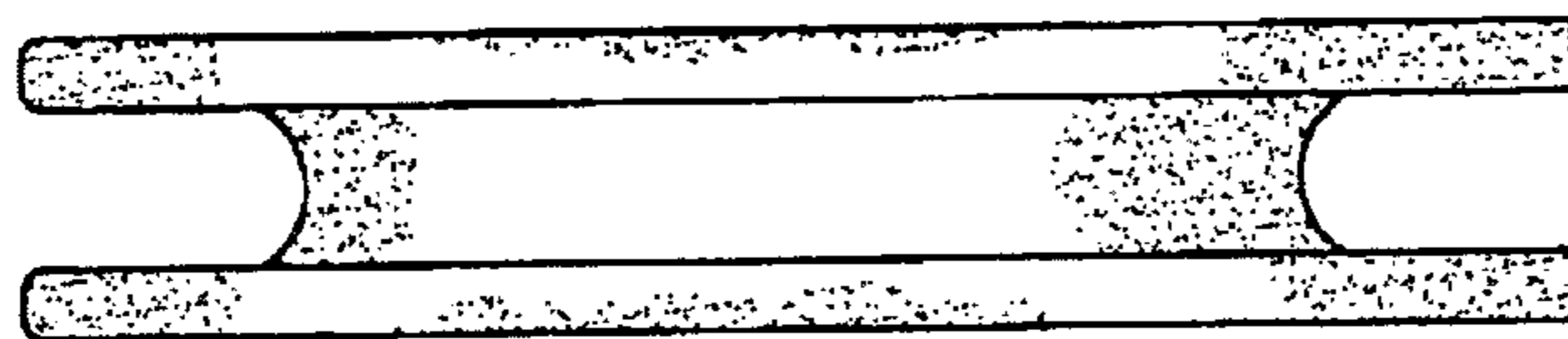
FIG. 1 is a front elevational view of a throwable rescue reel showing my new design, the rear, left side and right side views being the same thereas;

FIG. 2 is a top plan view thereof, the bottom plan view being the same thereas; and,

FIG. 3 is a perspective view thereof.

The broken lines shown in FIG. 3 are for illustrative purposes only and do not form part of the claimed design.

1 Claim, 2 Drawing Sheets



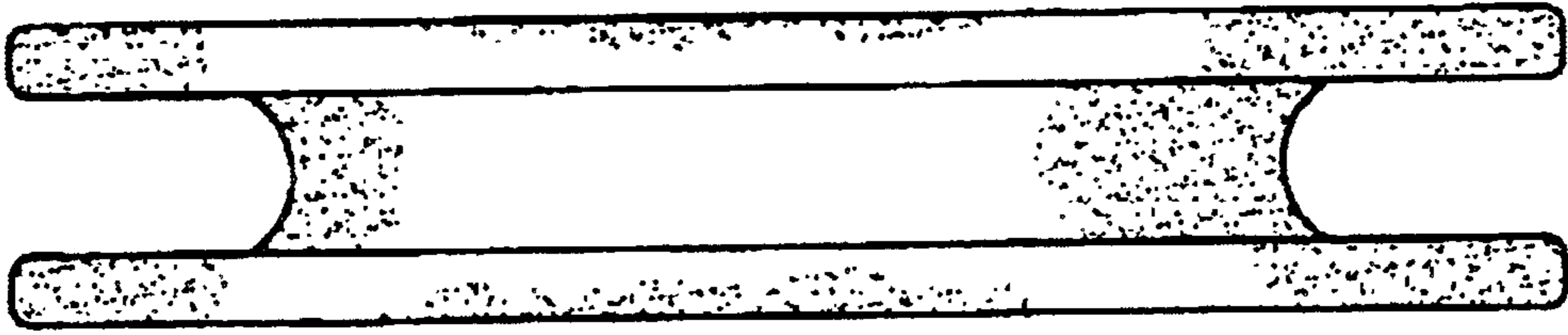


FIG. 1



FIG. 2

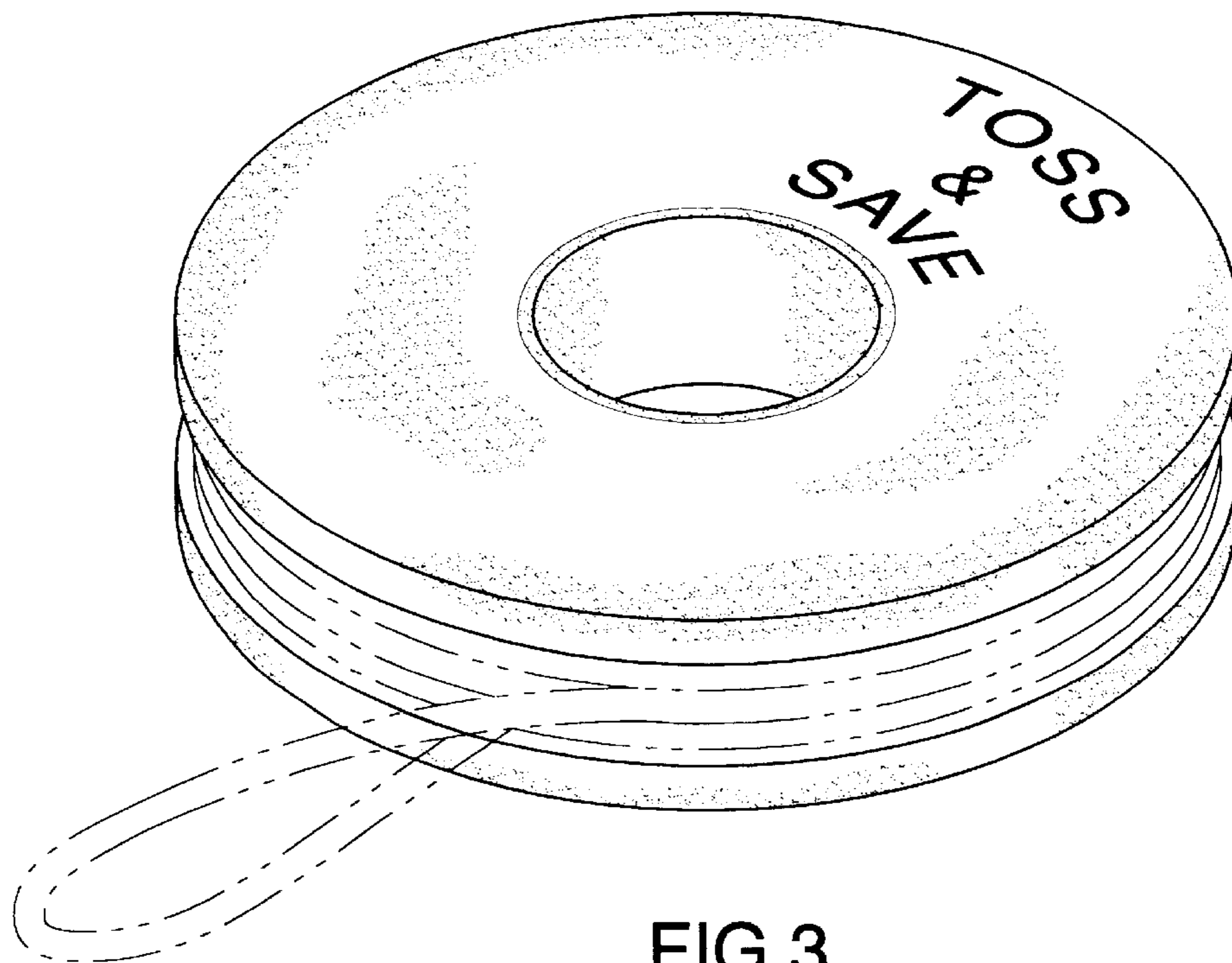


FIG.3