



US00D493915S1

(12) **United States Design Patent** (10) **Patent No.:** **US D493,915 S**  
**McCambridge** (45) **Date of Patent:** **\*\* Aug. 3, 2004**

(54) **NOZZLE END FOR HAIR DRYER**

(75) Inventor: **James E. McCambridge**, Polo, IL (US)

(73) Assignee: **Wahl Clipper Corporation**, Sterling, IL (US)

(\*\*) Term: **14 Years**

(21) Appl. No.: **29/173,711**

(22) Filed: **Jan. 3, 2003**

(51) **LOC (7) Cl.** ..... **28-03**

(52) **U.S. Cl.** ..... **D28/18**

(58) **Field of Search** ..... D28/12-19; 34/96-101;  
392/380-385; 132/271, 272

(56) **References Cited**

**U.S. PATENT DOCUMENTS**

D283,259	S	*	4/1986	Stansbury, Jr.	.....	D28/13
4,918,289	A	*	4/1990	Ohlsen et al.	.....	392/379
5,241,974	A	*	9/1993	Tsai	.....	132/272
5,262,156	A	*	11/1993	Alemohammad	.....	435/7.32
D355,048	S	*	1/1995	Soresina	.....	D28/13
5,621,980	A	*	4/1997	Kingsbury	.....	34/97
D391,017	S	*	2/1998	Gudefin	.....	D28/13
5,715,847	A	*	2/1998	Rolf et al.	.....	132/271
6,148,537	A	*	11/2000	Altamore	.....	34/97
D438,340	S	*	2/2001	Gudefin	.....	D28/13
D460,214	S	*	7/2002	Parodi	.....	D28/13

**FOREIGN PATENT DOCUMENTS**

JP 63000716 A \* 1/1988 ..... 34/97

**OTHER PUBLICATIONS**

Retailing Home Furnishings, Jan. 16, 1978, p. 51, the "Remington" hair dryer, item "H" and the "Clairol" hair dryer item "J".\*

Braun Swing 1200 super volume dryer with attachments, product photos, 2 pages, undated.

Rowenta Project Pro 1800 dryer, product photos, Rowenta Wereke GmbH, 2 pages, 2000.

\* cited by examiner

*Primary Examiner*—Lucy Lieberman

(74) *Attorney, Agent, or Firm*—Greer, Burns & Crain, Ltd.

(57) **CLAIM**

The ornamental design for a nozzle end for hair dryer, as shown and described.

**DESCRIPTION**

FIG. 1 is a top, front and right side perspective view of a nozzle end for a hair dryer showing my new design;

FIG. 2 is a front view of same;

FIG. 3 is a right side view of the nozzle end for hair dryer of FIG. 1;

FIG. 4 is a rear view of same;

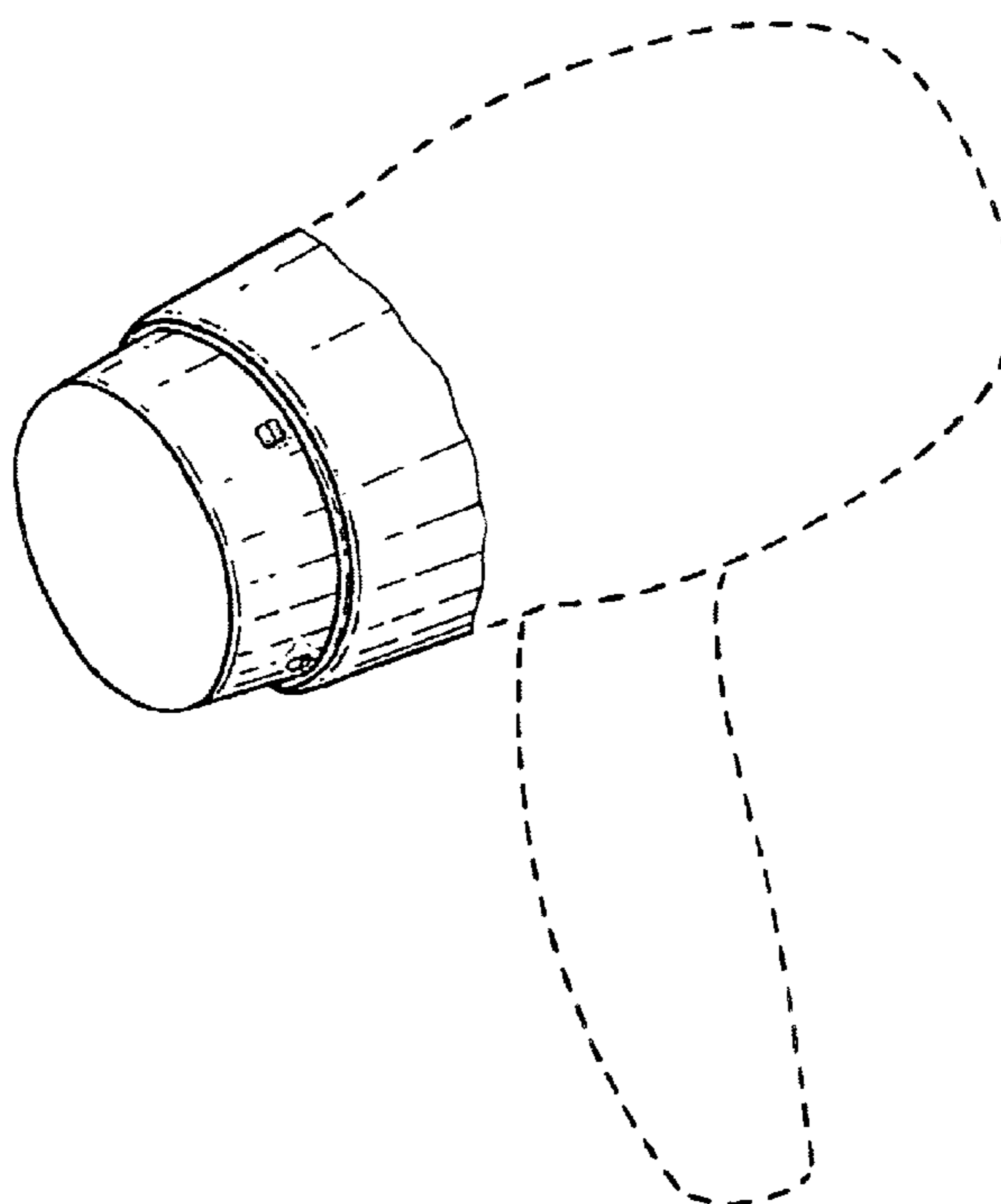
FIG. 5 is a left side view of same;

FIG. 6 is a top view of same; and,

FIG. 7 is a bottom view of same.

The subject matter presented in broken lines forms no part of the claimed invention.

**1 Claim, 2 Drawing Sheets**



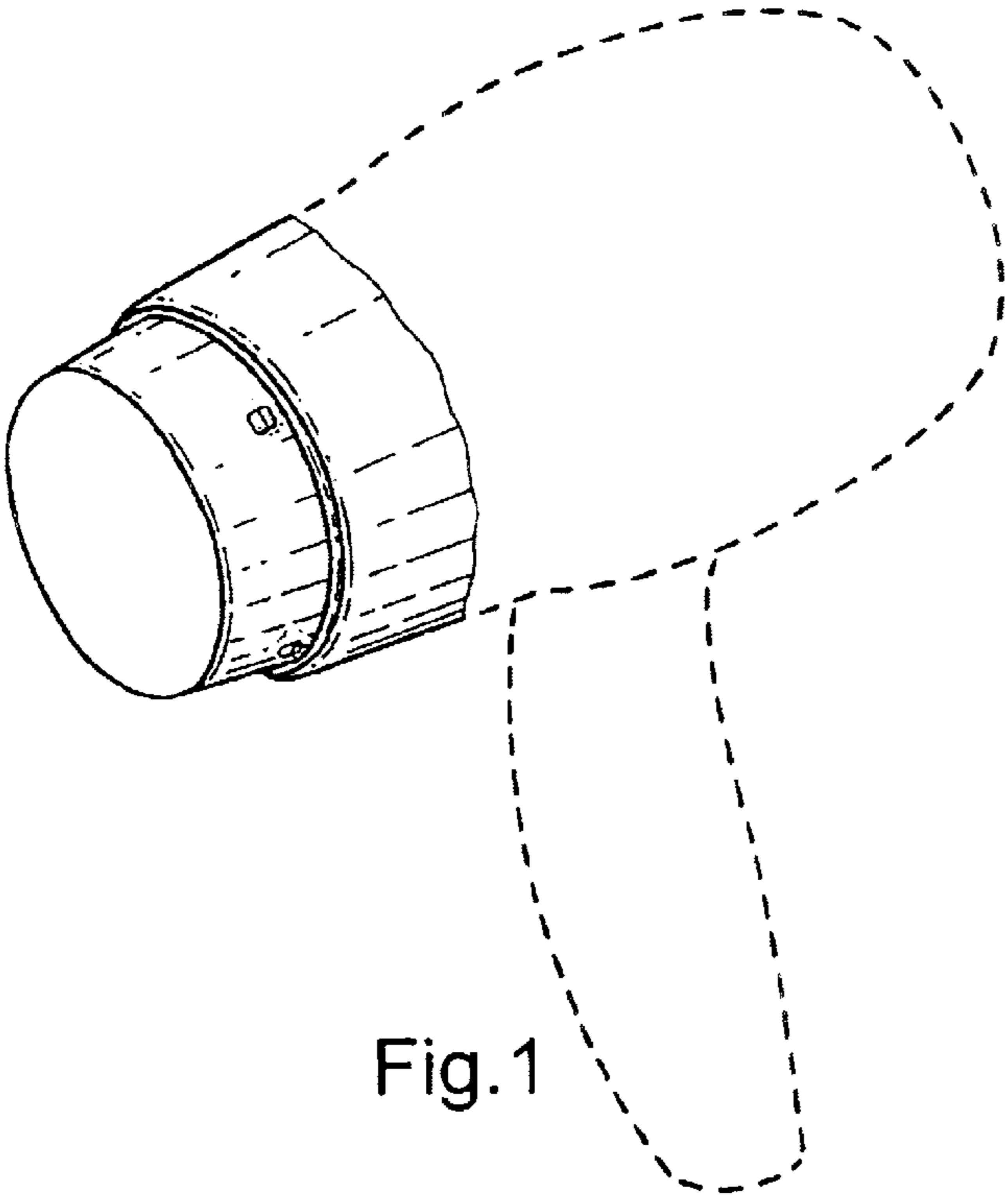


Fig. 1

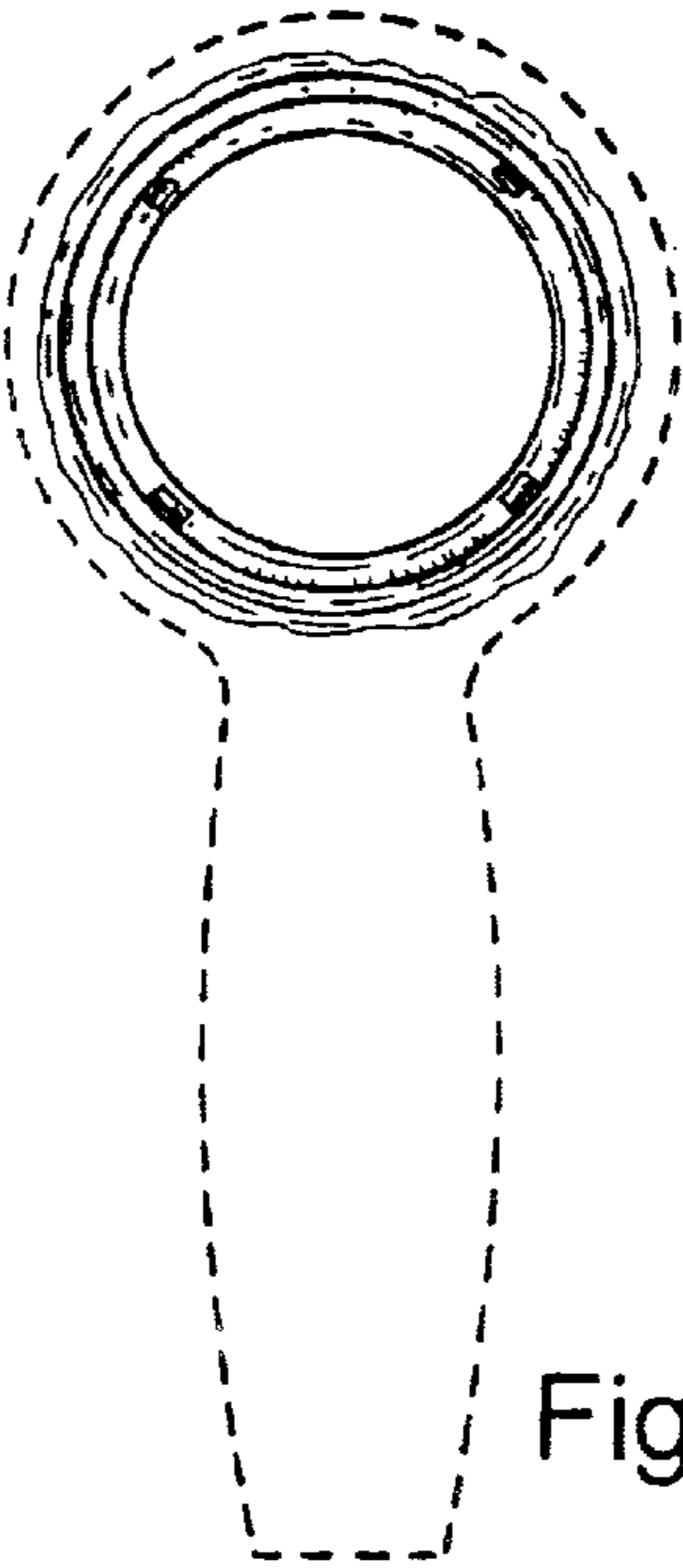


Fig. 2

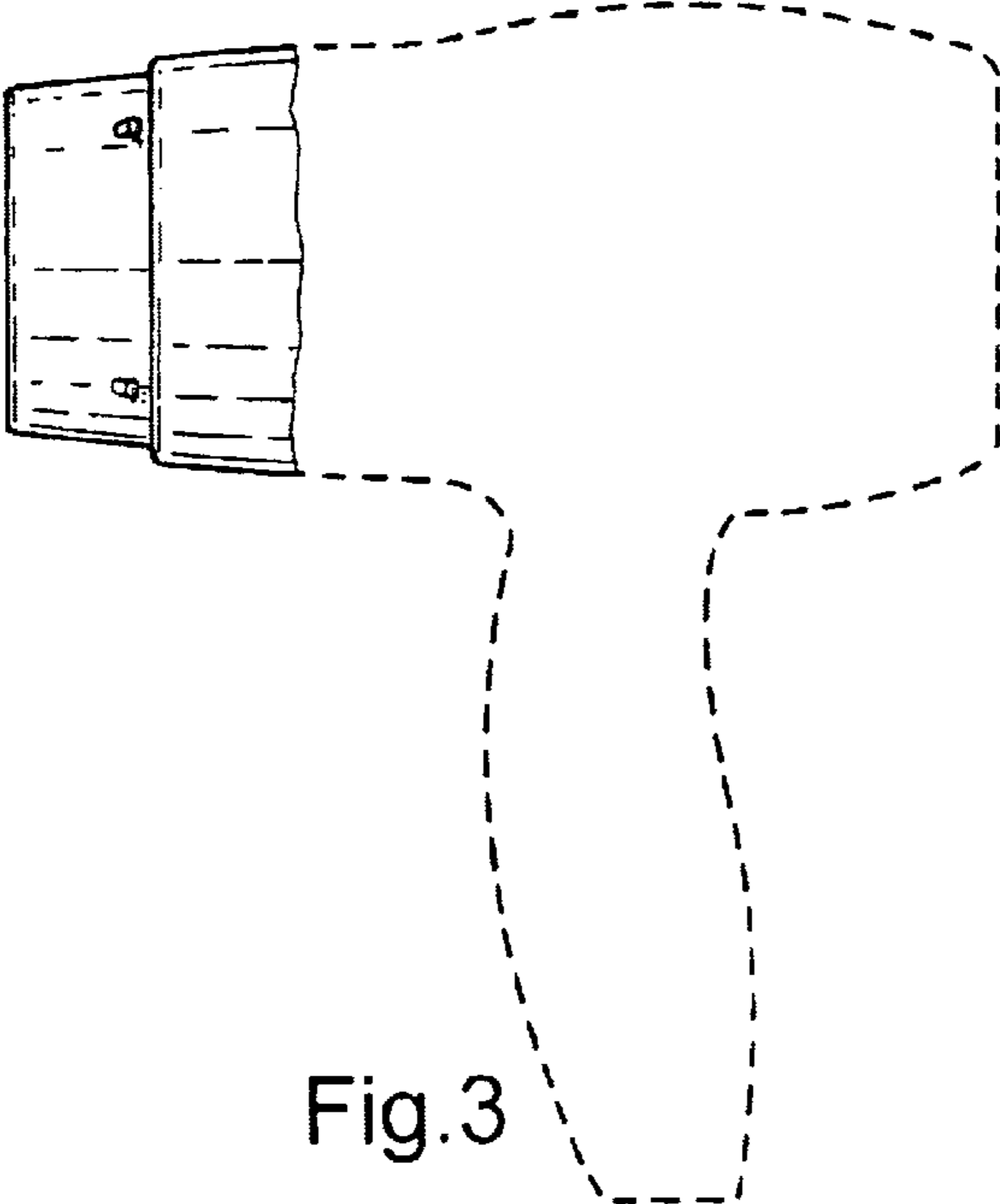


Fig. 3

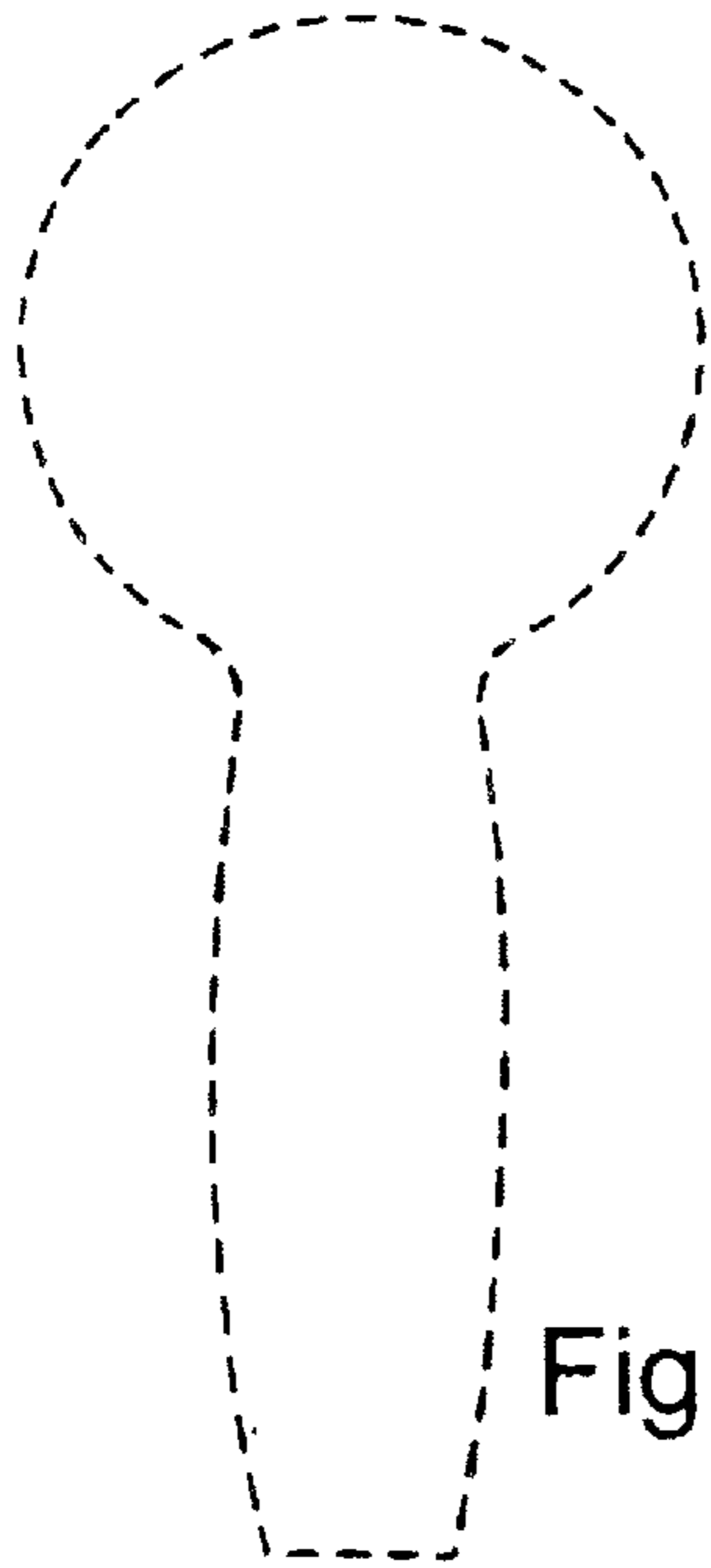


Fig.4

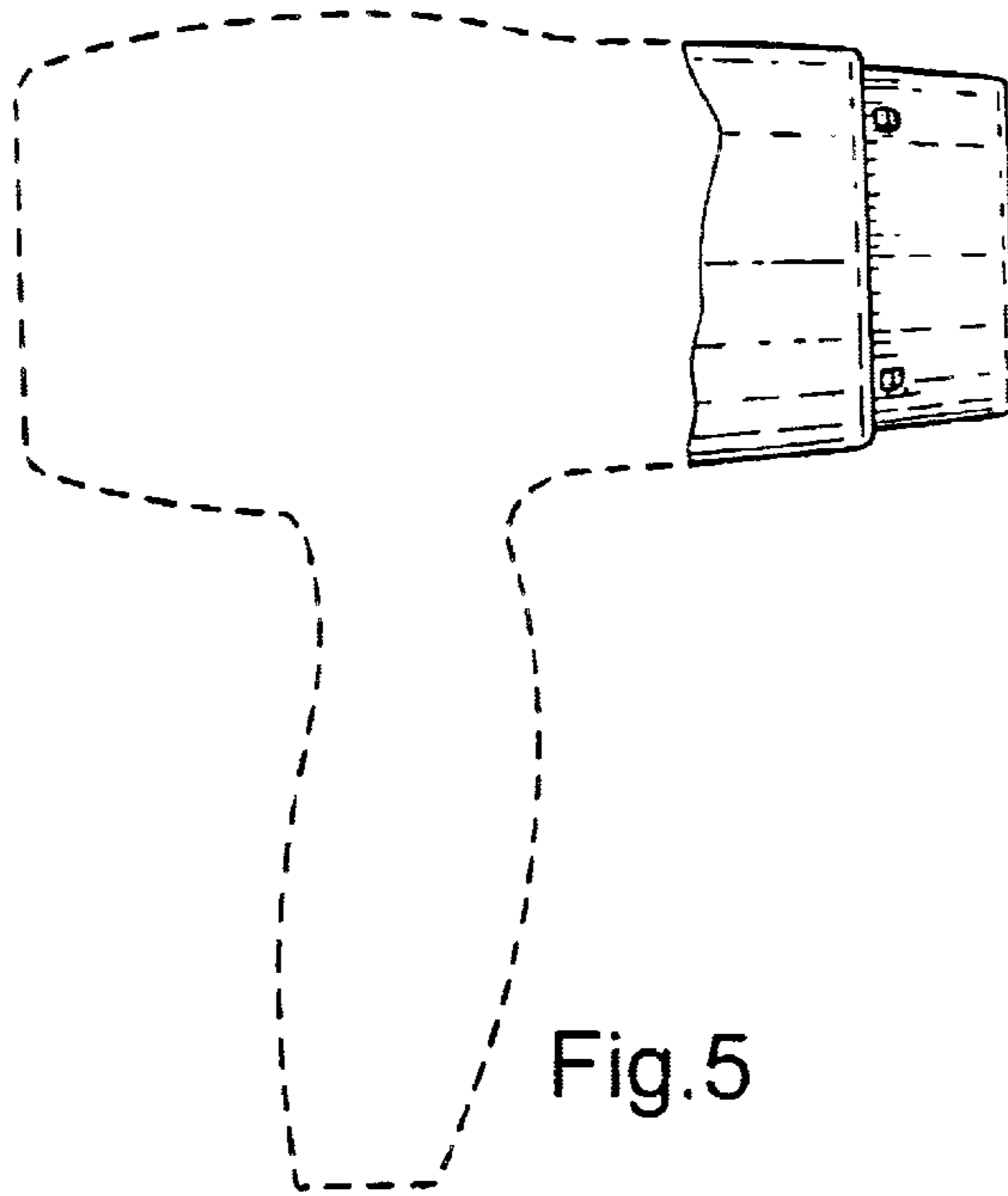


Fig.5

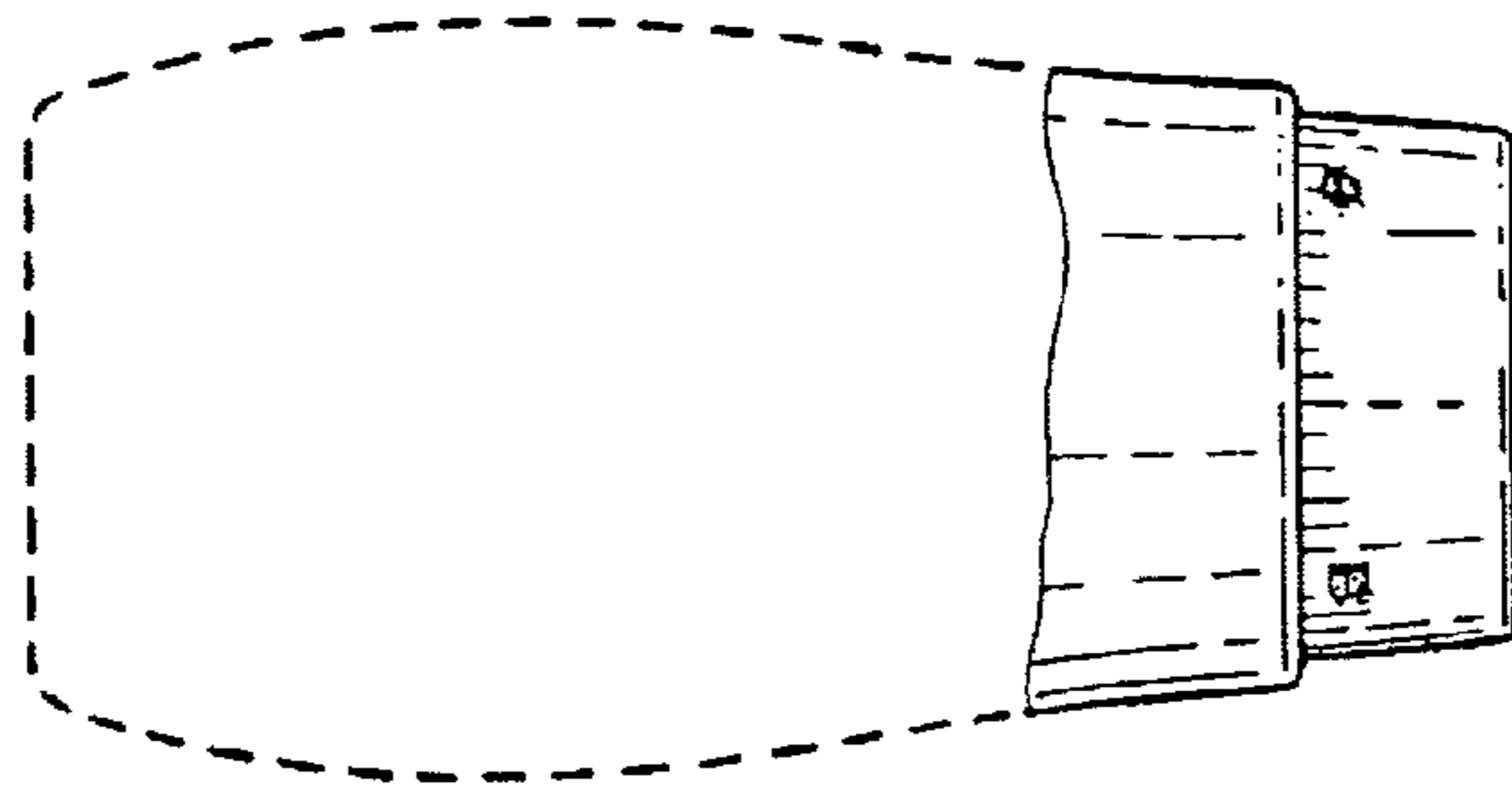


Fig.6

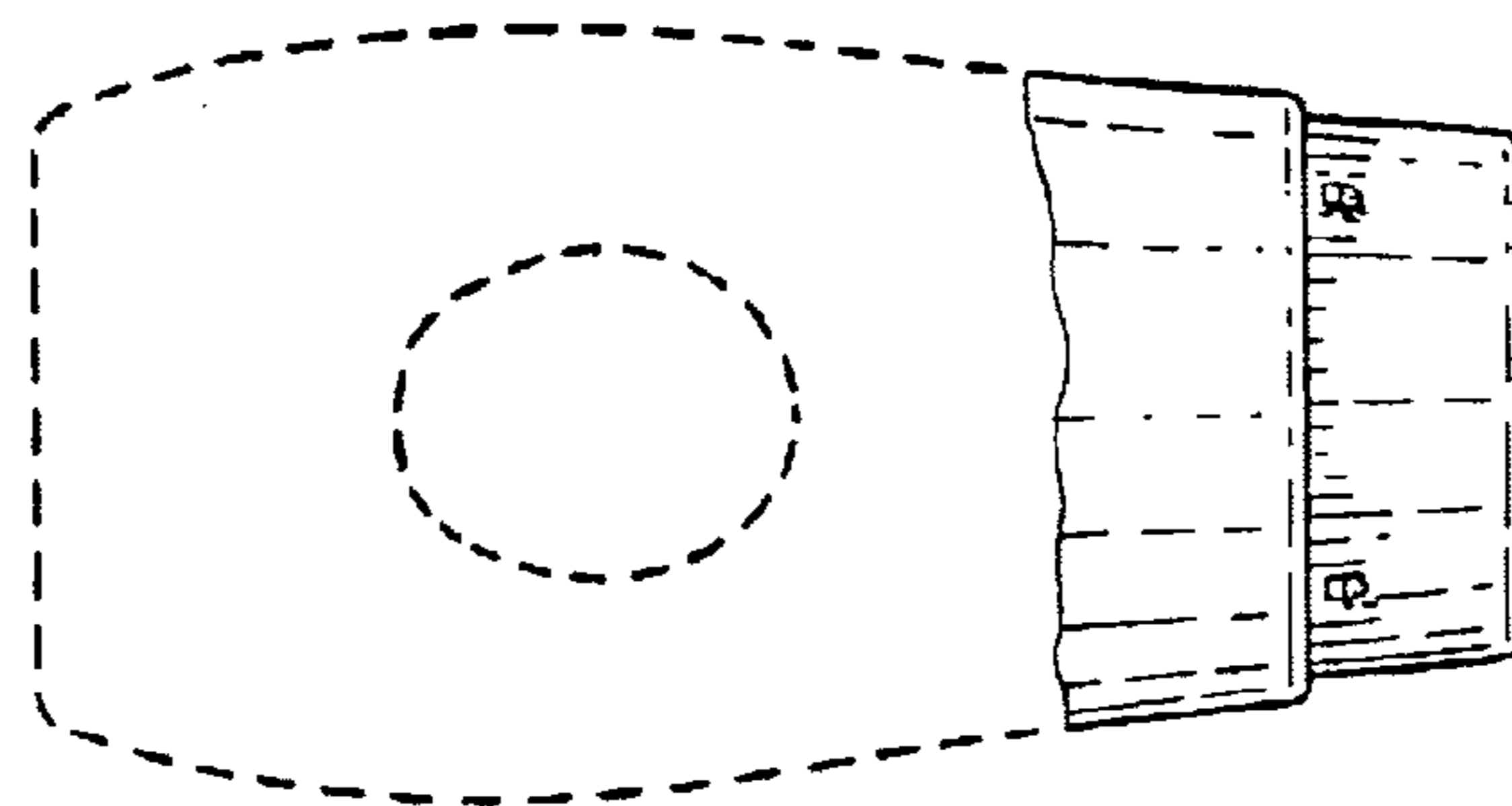


Fig.7